

HIGH LEAD YARDING SYSTEM

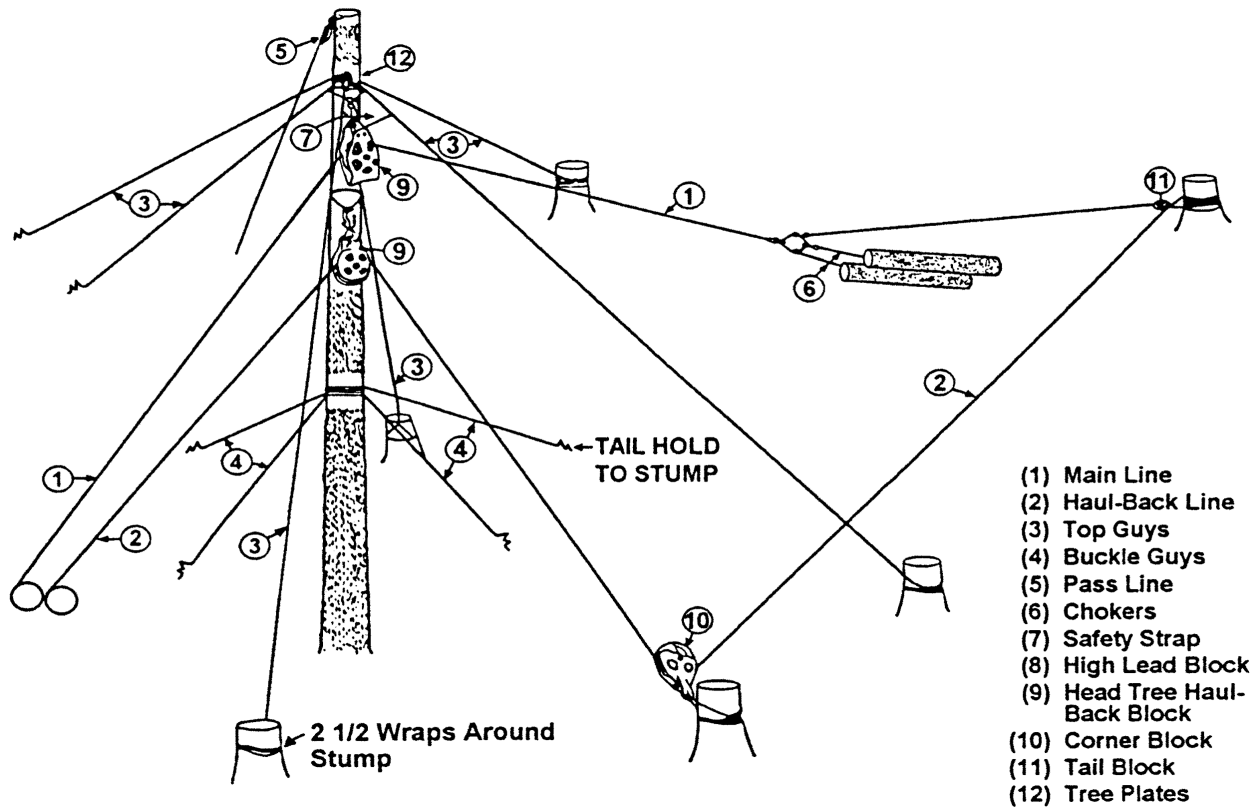
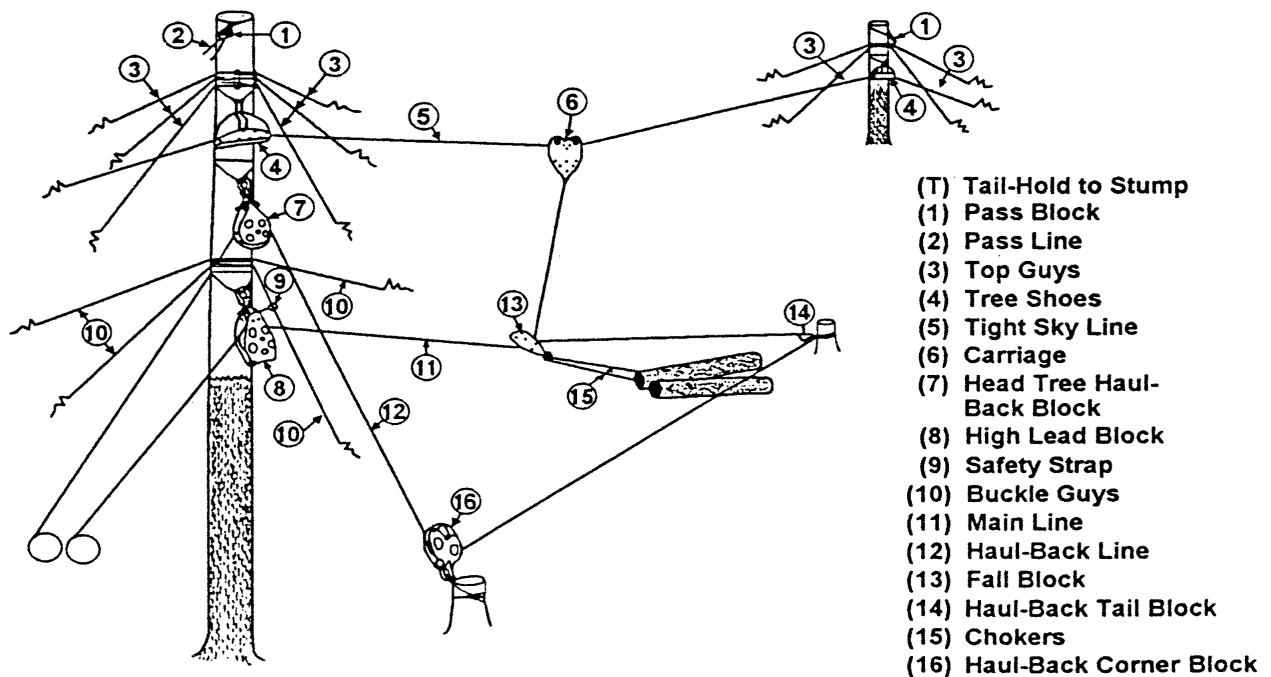
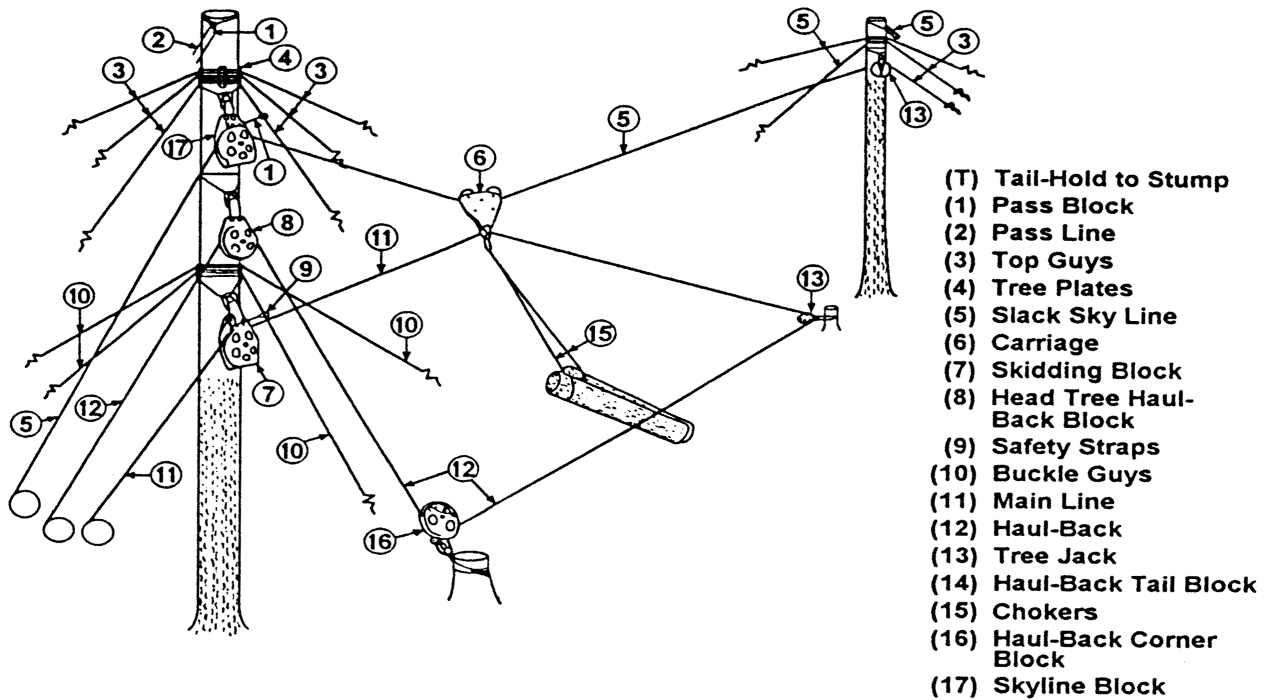


Figure 59: High Lead Yarding System



NORTH BEND YARDING SYSTEM
 Figure 60: North Bend Yarding System



SLACK SKYLINE YARDING SYSTEM
 Figure 61: Slack Skyline Yarding System

Heel Boom Loading

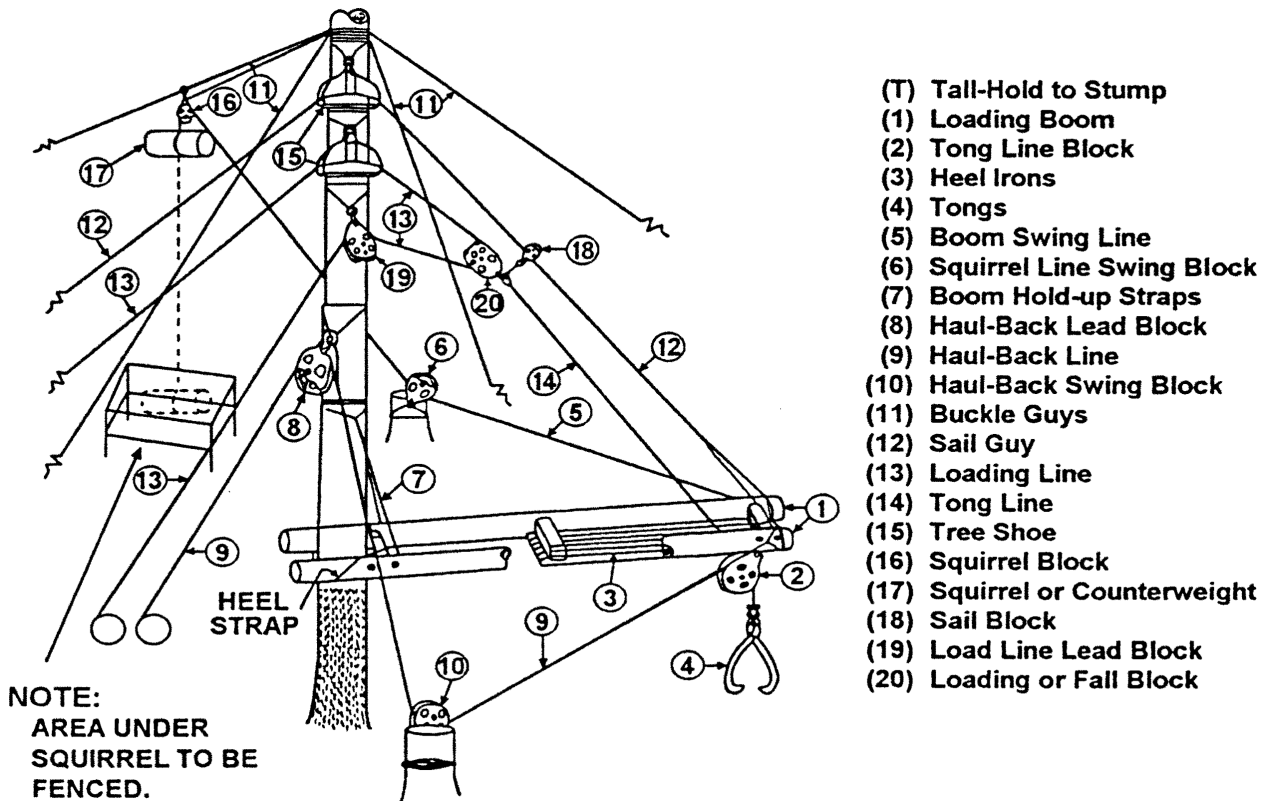


Figure 62: Heel Boom Loading

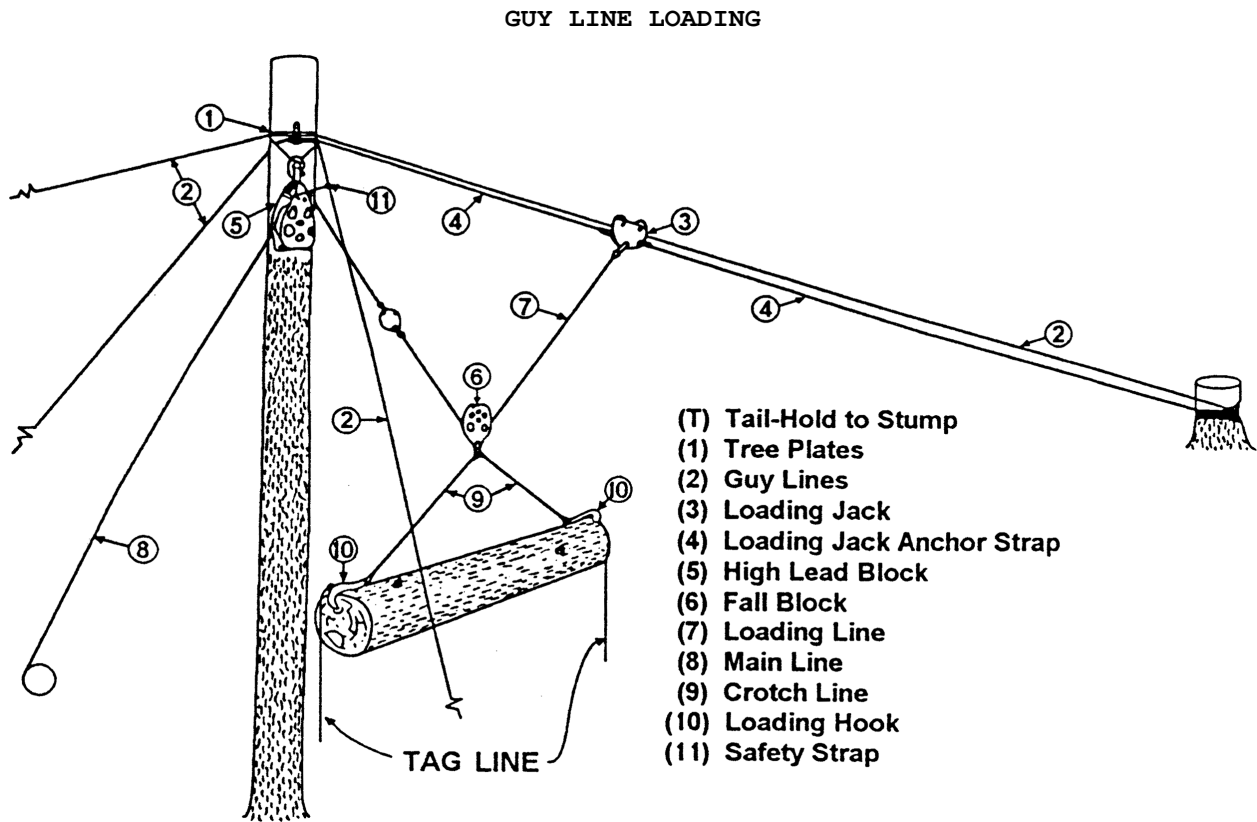


Figure 63: Guy Line Loading

HAYRACK BOOM LOADING

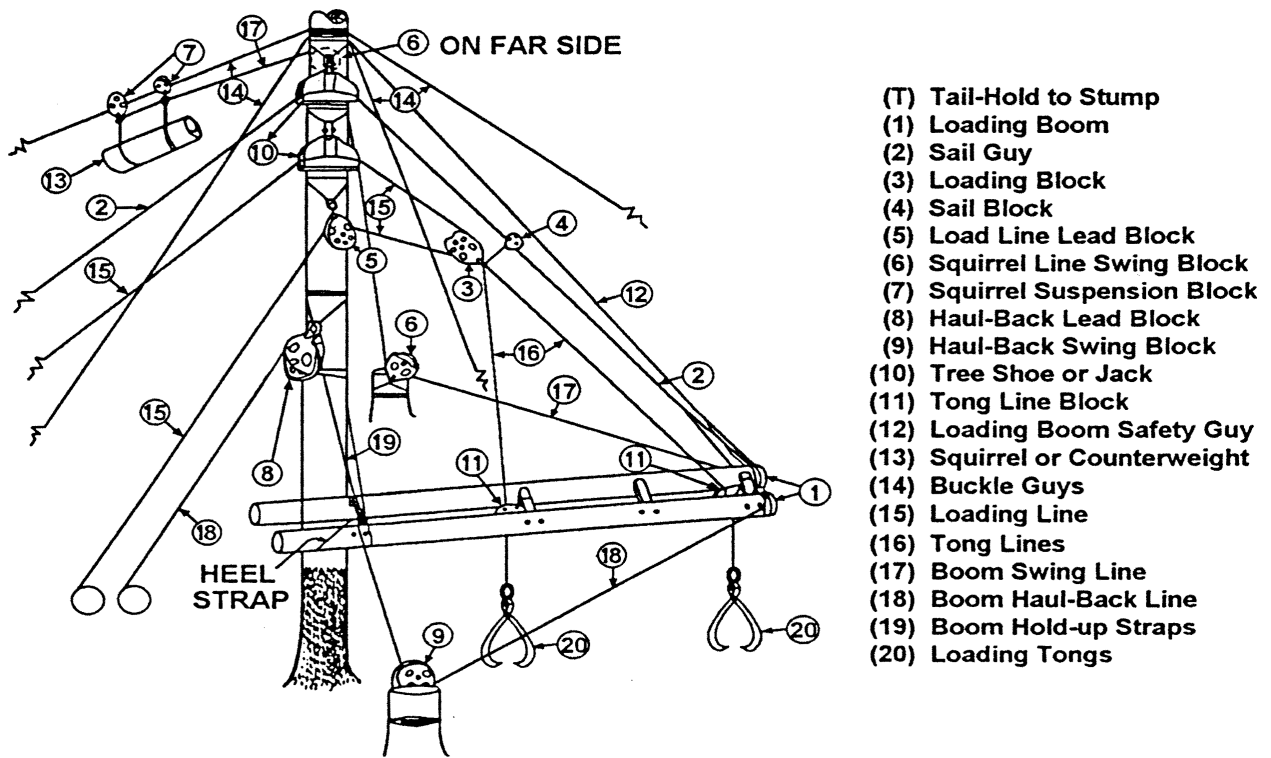
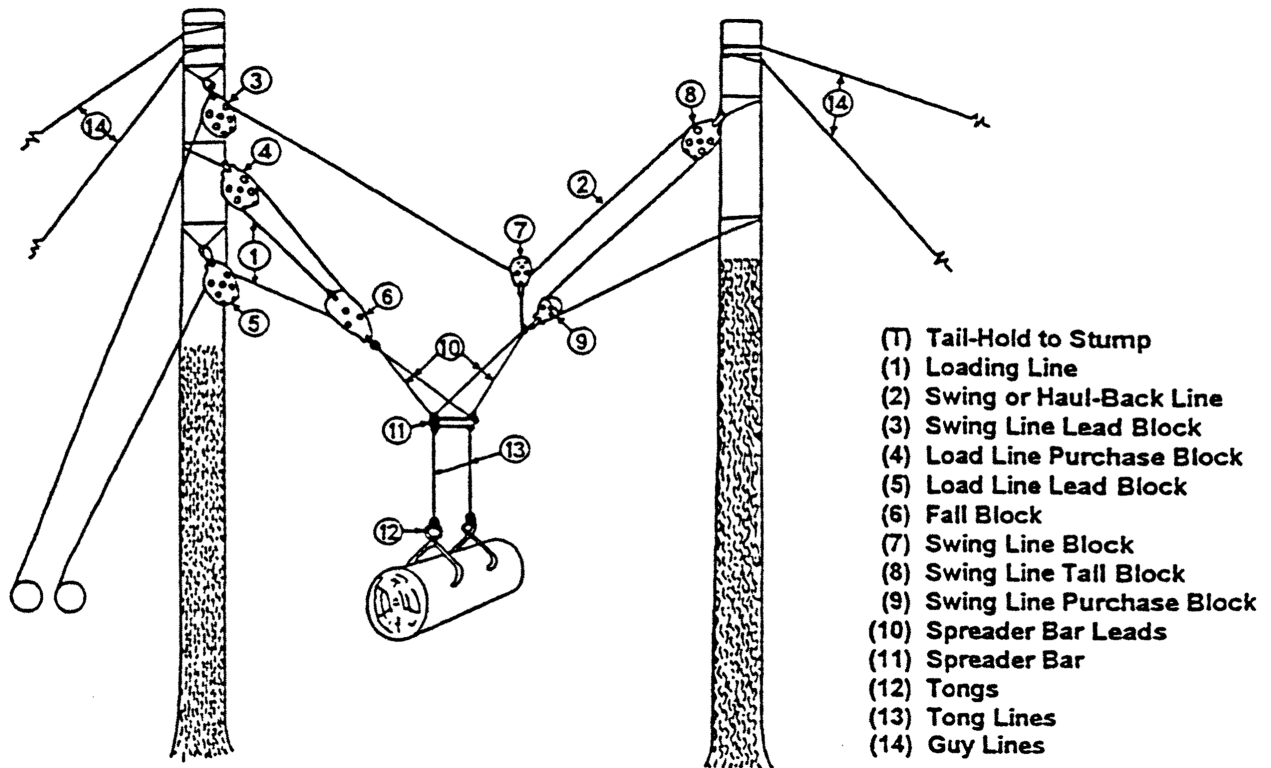


Figure 64: Hayrack Boom Loading



SPREADER BAR LOADING

Figure 65: Spreader Bar Loading

[Statutory Authority: RCW 49.17.010, [49.17].040 and [49.17].050. WSR 99-17-117, § 296-54-99014, filed 8/18/99, effective 12/1/99.]