

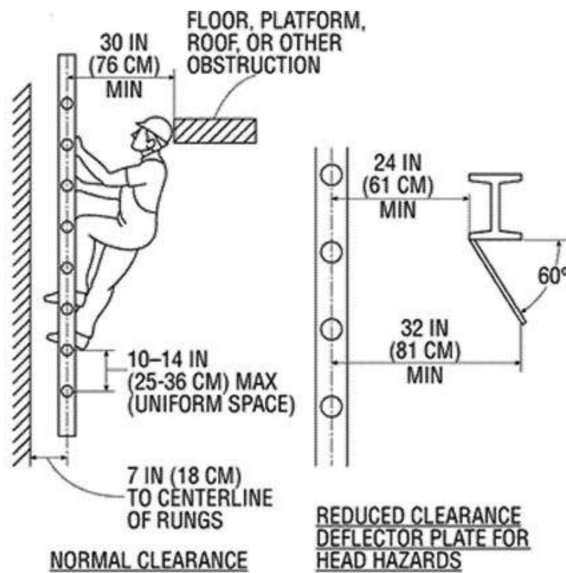
**WAC 296-876-60040 Clearances.** (1) You must make sure ladders without wells or cages are at least thirty inches from the nearest permanent object on the climbing side, measured perpendicular to the ladder from the centerline of the rungs, cleats, or steps.

**EXEMPTION:** When unavoidable obstructions are encountered, the minimum perpendicular clearance between the centerline of the rungs, cleats, or steps and an obstruction on the climbing side may be reduced to twenty-four inches if a deflection device is installed to guide persons around the obstruction.

(2) You must make sure ladders without wells or cages have a clear width from the nearest permanent object on each side of the ladder of at least fifteen inches, measured from the center of the rungs, cleats, or steps.

(3) You must make sure the distance from the centerline of the rungs, cleats, or steps to the nearest permanent object in back of the ladder is at least seven inches.

**EXEMPTION:** Fixed ladders in elevator pits may reduce the minimum clearance from the ladder to the nearest permanent object in back of the ladder to four and one-half inches.



**Figure D-5 - Fixed Ladder Clearances**

[Statutory Authority: RCW 49.17.010, 49.17.040, 49.17.050, 49.17.060 and chapter 49.17 RCW. WSR 20-09-146, § 296-876-60040, filed 4/21/20, effective 10/1/20; WSR 14-09-095, § 296-876-60040, filed 4/22/14, effective 7/1/14. Statutory Authority: RCW 49.17.010, 49.17.040, 49.17.050, 49.17.060. WSR 06-16-020, § 296-876-60040, filed 7/24/06, effective 12/1/06.]