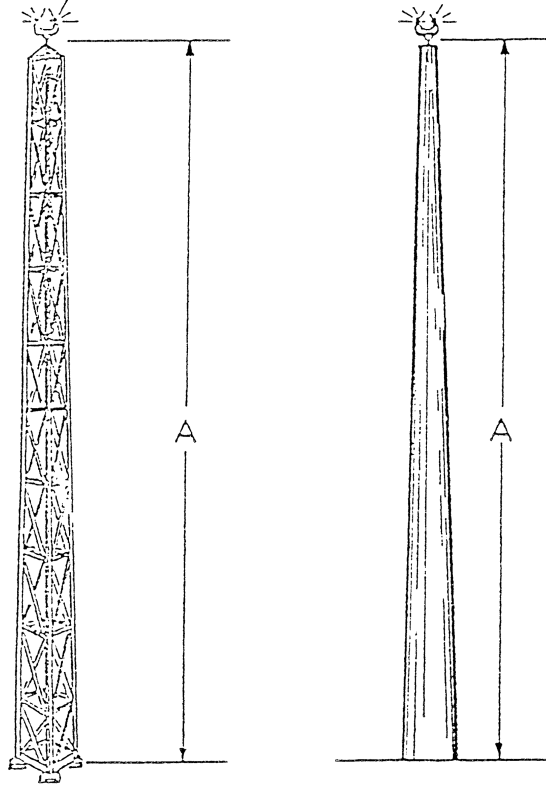
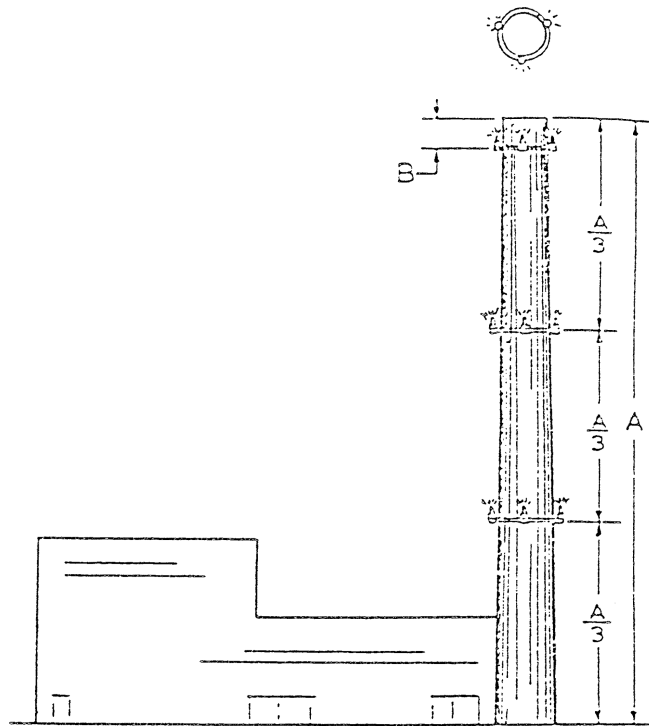


WAC 468-240-380 Appendix rules—Illustrations.



A = NOT MORE THAN 150 FT.

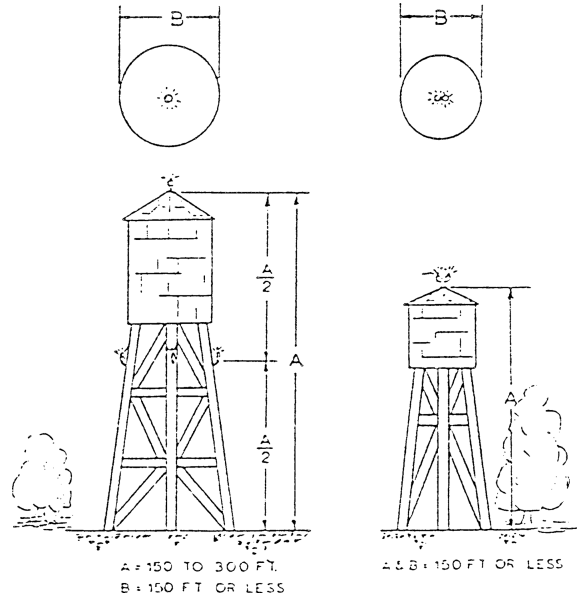
(1) Lighting of towers, poles and similar obstructions.



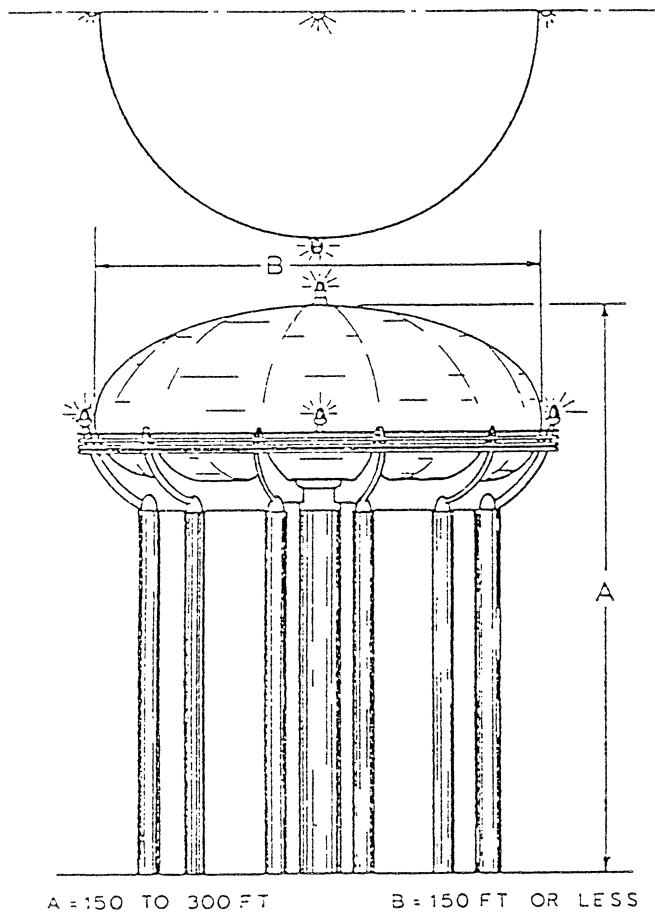
A = 300 TO 450 FT.

B = 5 TO 10 FT.

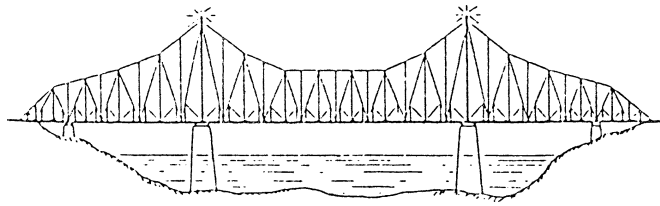
(2) Lighting of smokestacks and similar obstructions.



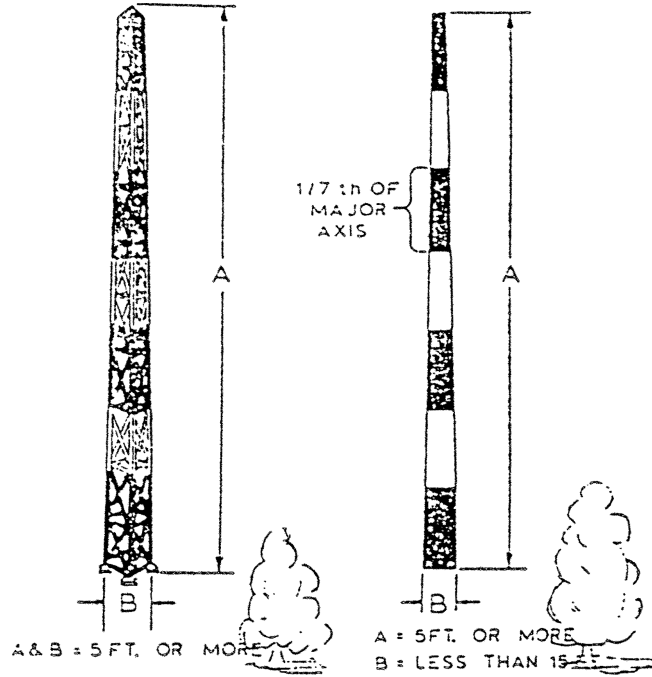
(3) Lighting of water towers and similar obstructions.



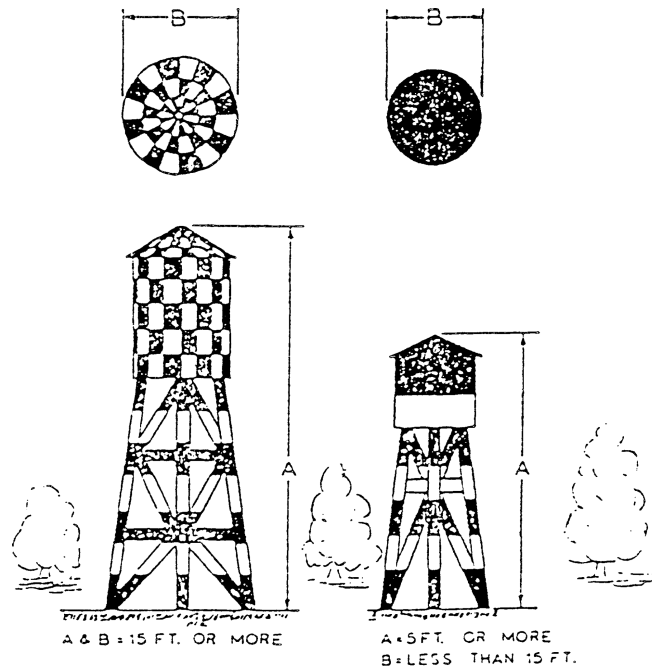
(4) Lighting of water towers and similar obstructions.



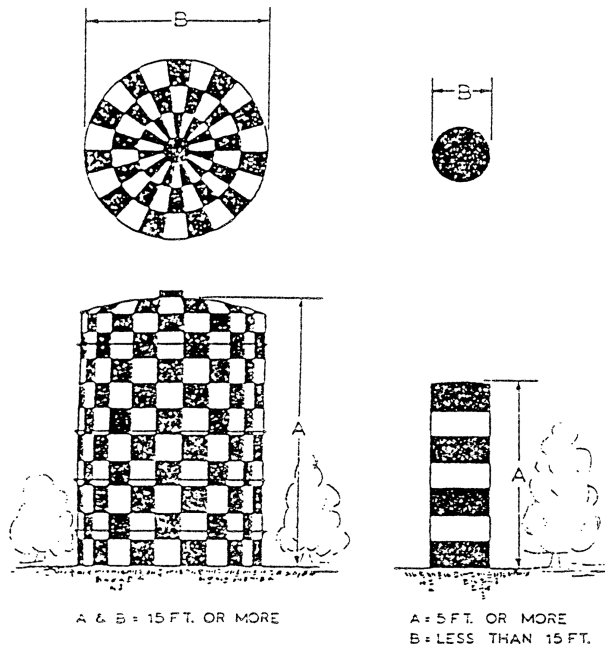
(5) Lighting of bridges.



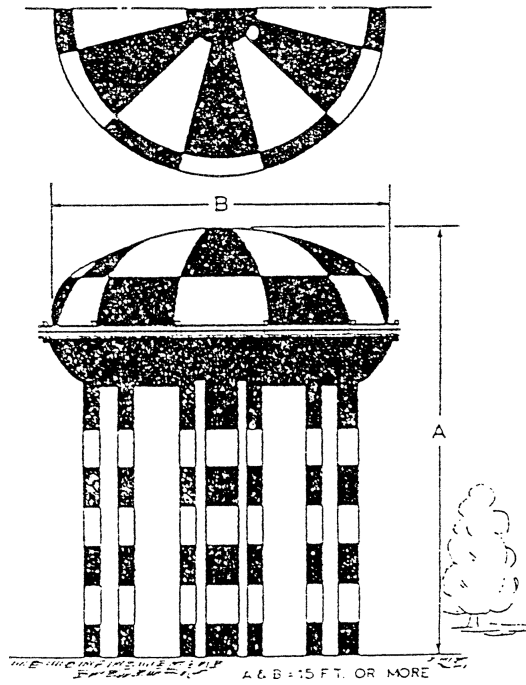
(6) Painting of towers, poles and similar obstructions.



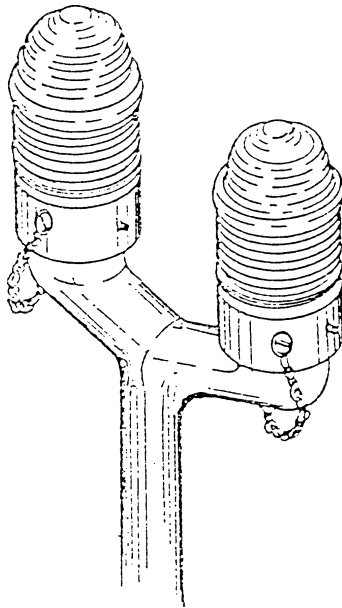
(7) Painting of water towers and similar obstructions.



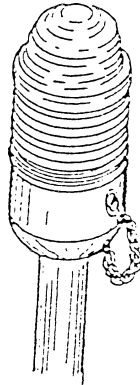
(8) Painting of gas holders and similar obstructions.



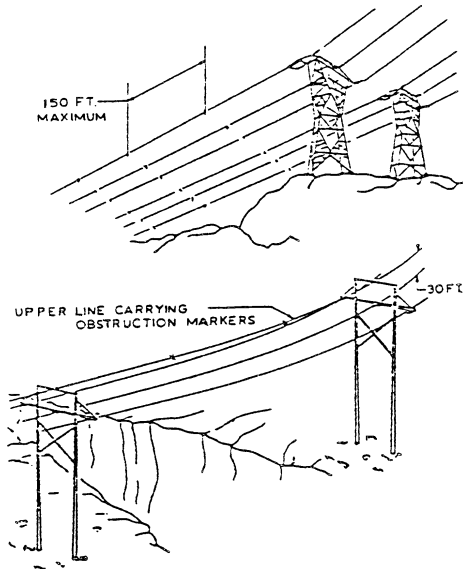
(9) Painting of water towers and similar obstructions.



(10) Typical double obstruction light fitting.



(11) Typical single obstruction light fitting.



(12) Marking power lines, cables and similar obstructions.

[Statutory Authority: Chapter 47.68 RCW. WSR 96-17-018 (Order 164), recodified as § 468-240-380, filed 8/13/96, effective 9/13/96; O.M.&L. standards, appendix (part), filed 9/13/61.]