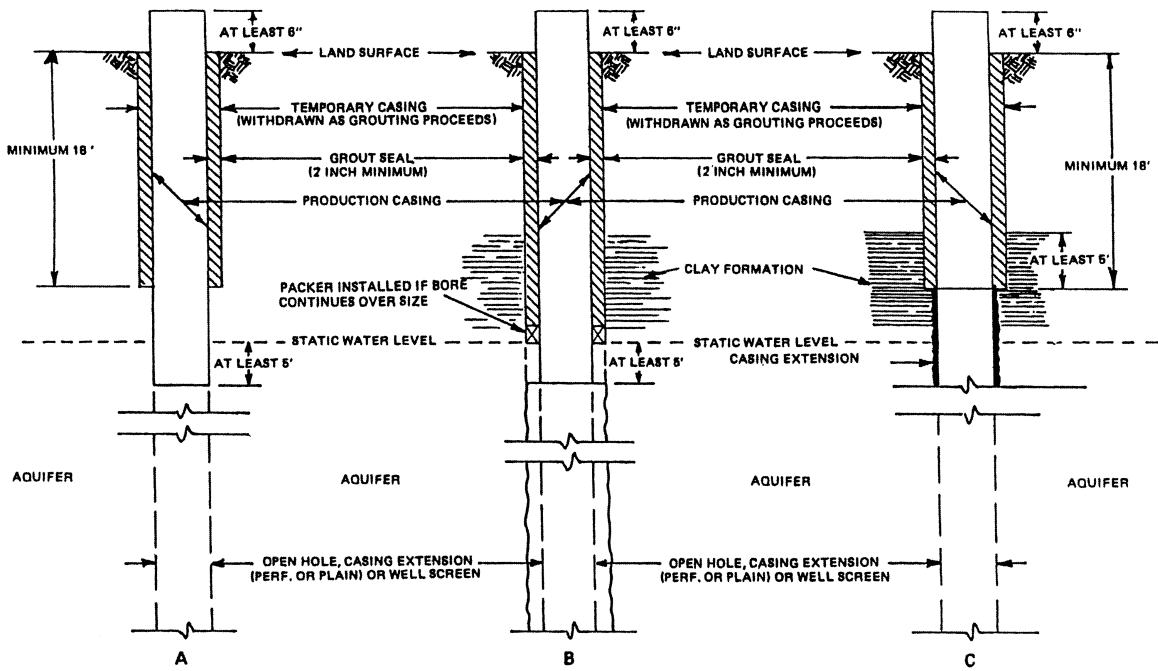
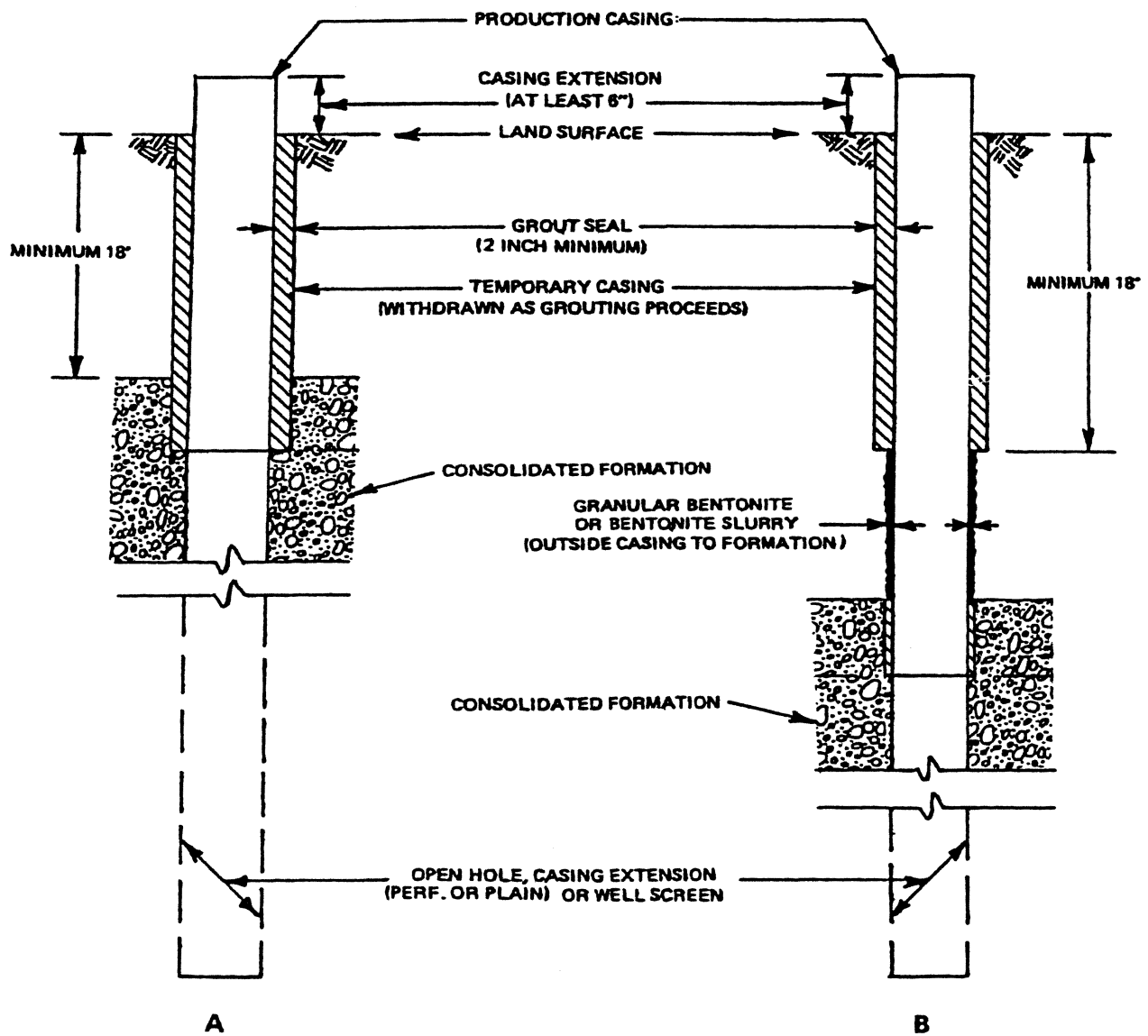


WAC 173-160-990 Well construction illustrations.

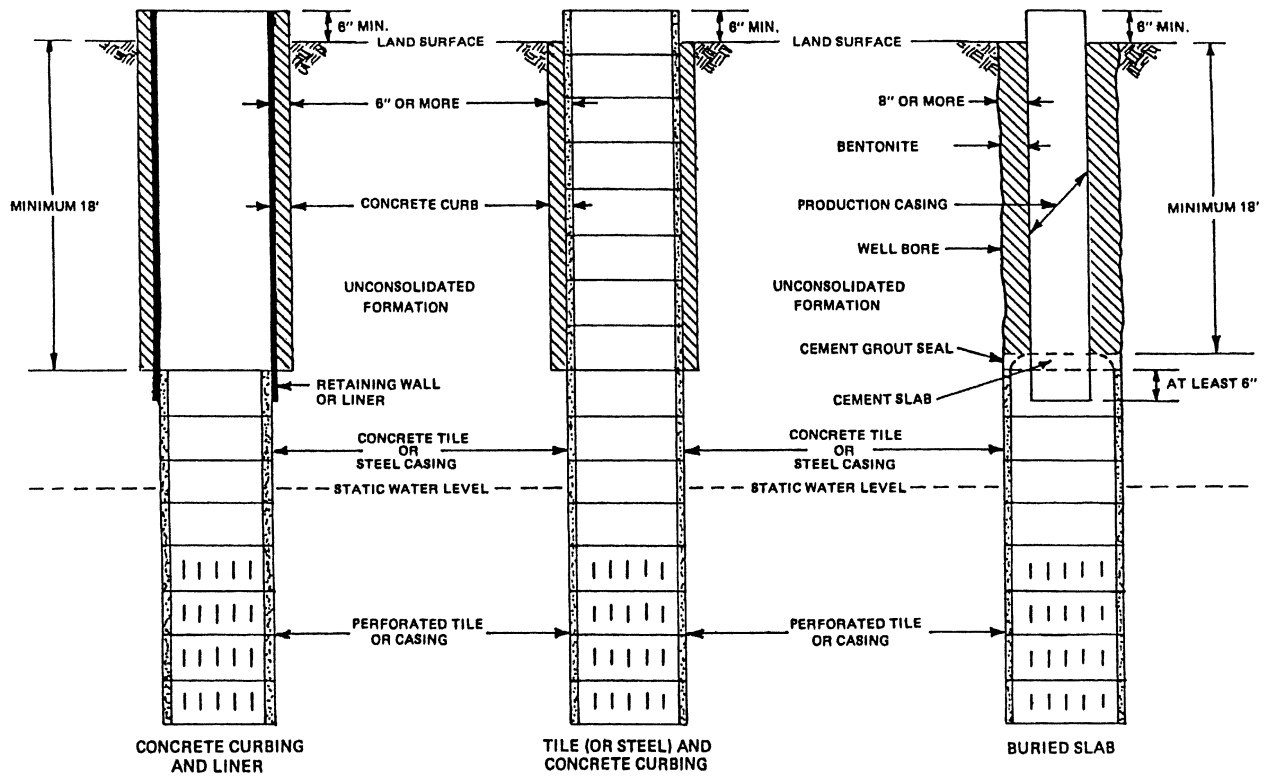


NOT TO SCALE

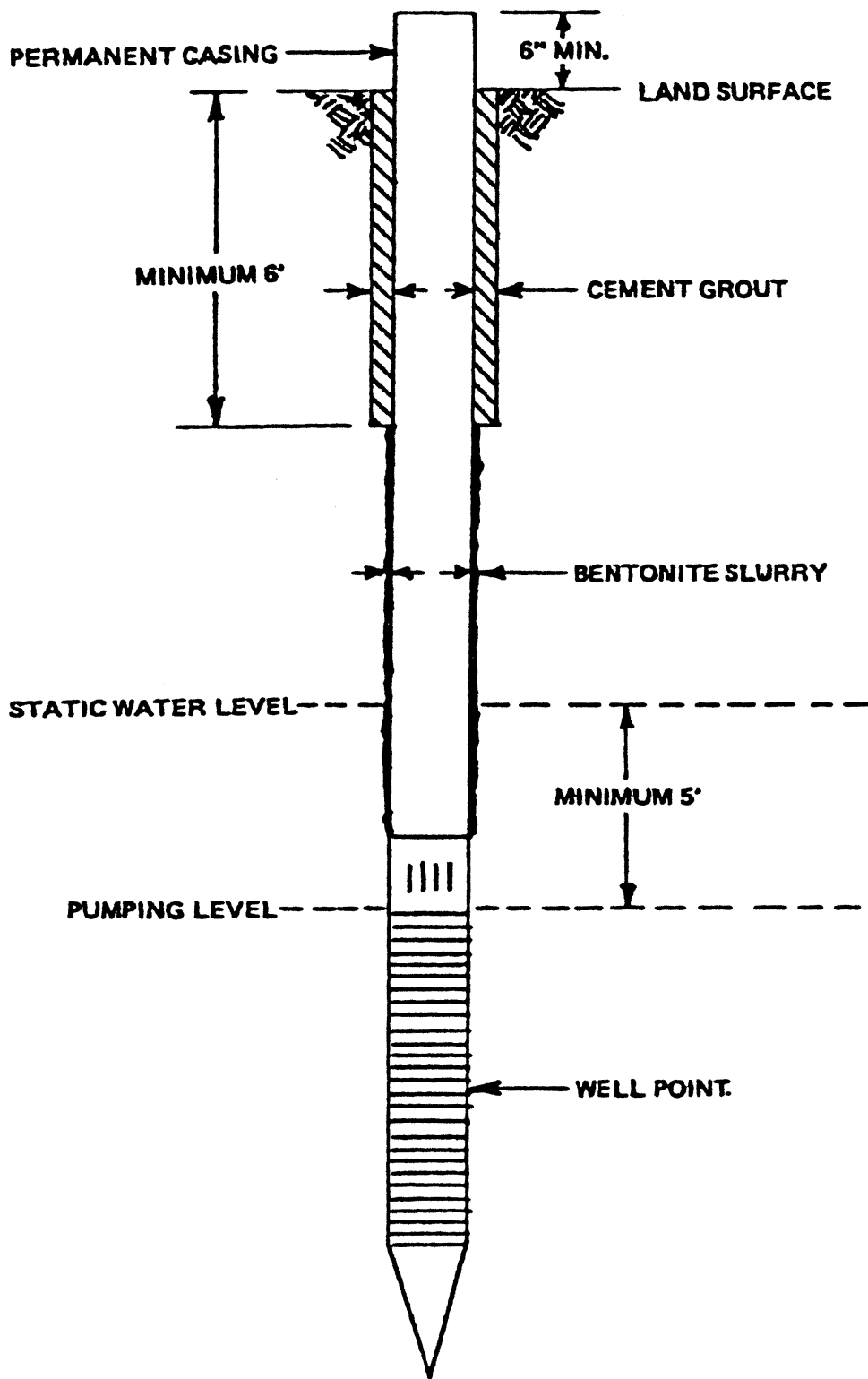
Figure 1. SEALING OF UNCONSOLIDATED FORMATIONS



NOT TO SCALE  
 Figure 2. SEALING OF CONSOLIDATED FORMATIONS

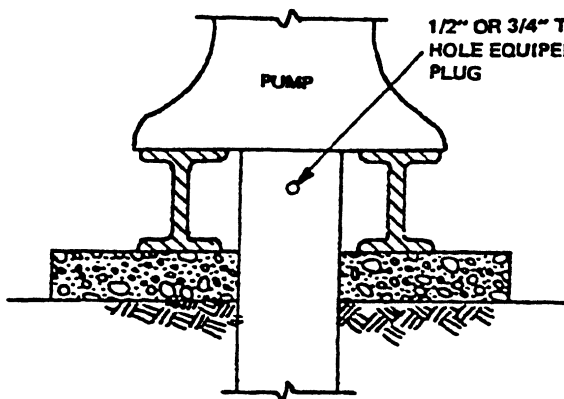


**NOT TO SCALE**  
**Figure 3. SEALING OF DUG WELLS**

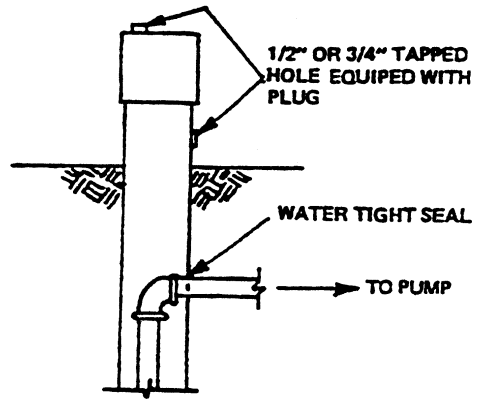


NOT TO SCALE

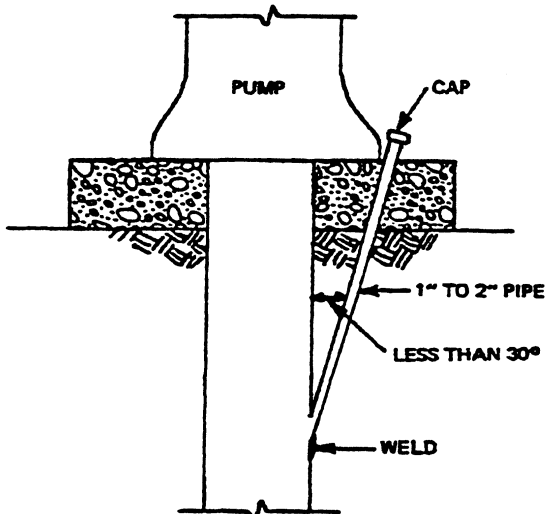
Figure 4. SEALING OF DRIVEN AND JETTED WELLS



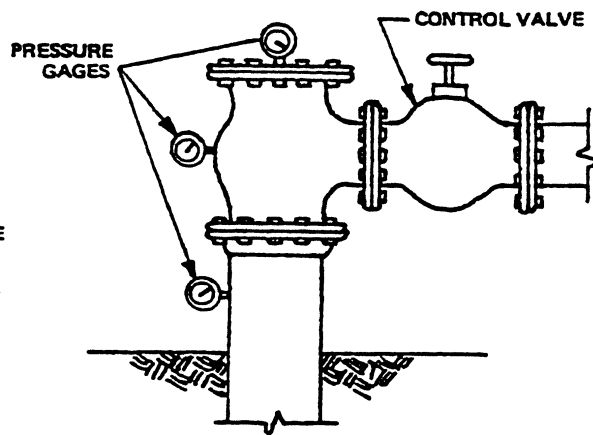
ACCESS PORT FOR MEASURING DEVICE



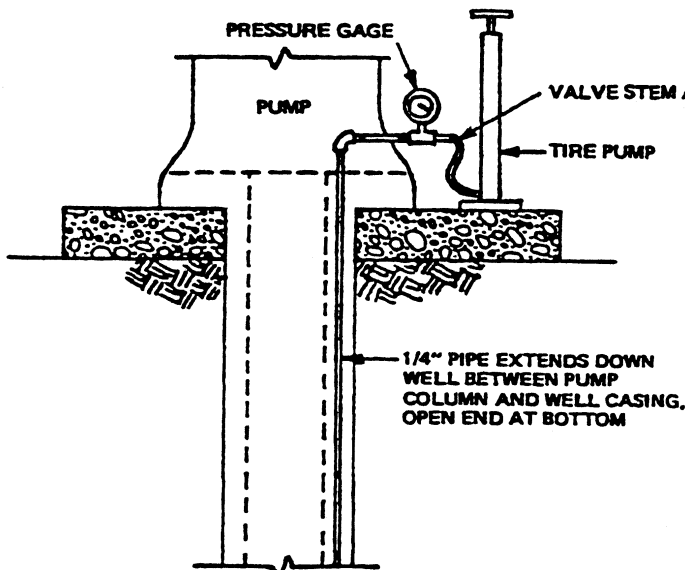
ACCESS PORT FOR MEASURING DEVICE



ACCESS PORT FOR MEASURING DEVICE

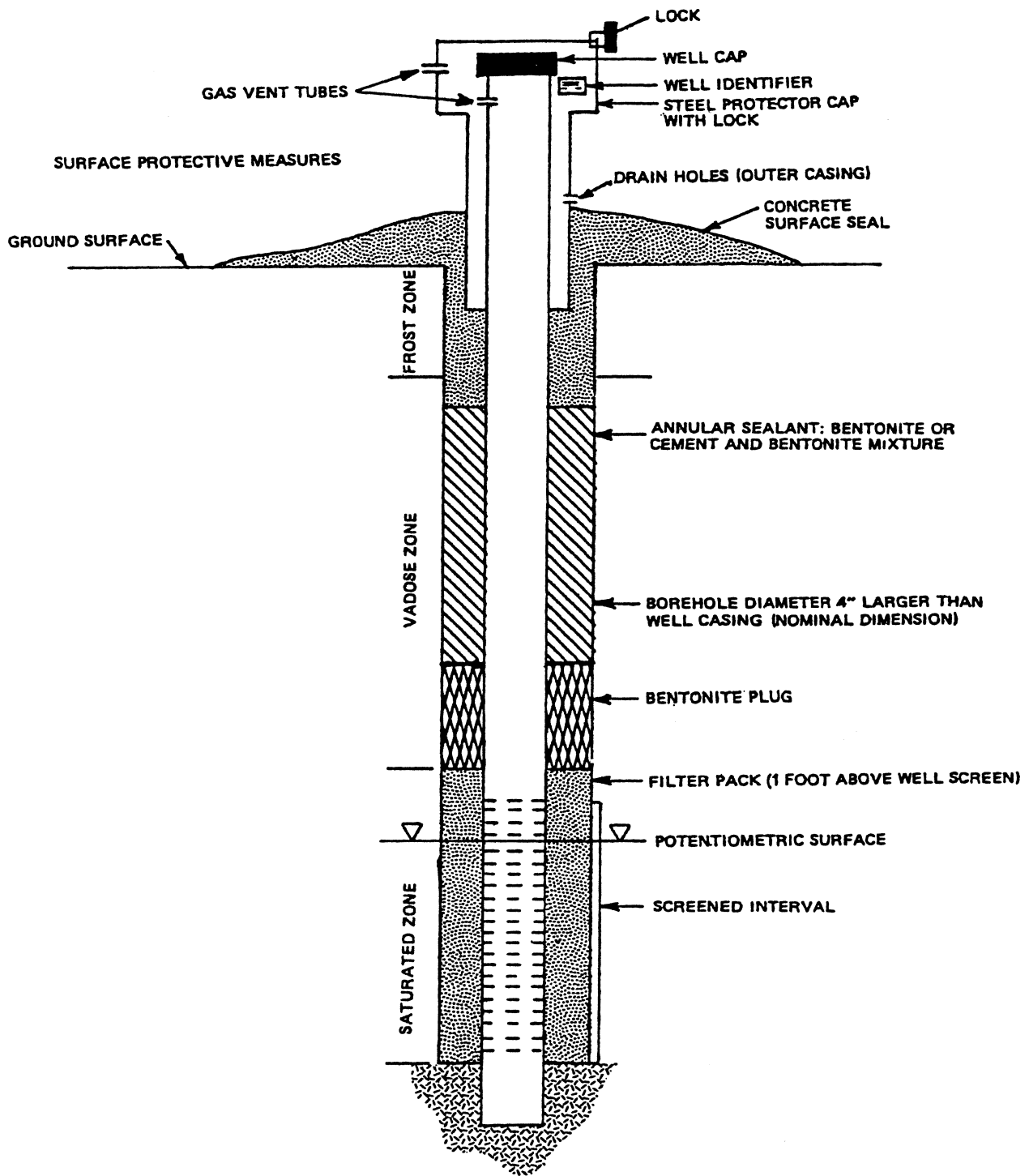


POSSIBLE LOCATIONS FOR PRESSURE GAGES ON AN ARTESIAN WELL



AN AIR LINE INSTALLATION IS RECOMMENDED WHERE THE WATER LEVEL LIES AT A CONSIDERABLE DEPTH BELOW LAND SURFACE. THE AMOUNT OF AIR PRESSURE THAT CAN BE BUILT UP INSIDE THE AIR LINE WILL BE EQUAL TO THE DEPTH OF WATER STANDING ABOVE THE BOTTOM OF THE AIR LINE. THE EXACT DEPTH TO THE BOTTOM OF THE AIR LINE IS REQUIRED TO OBTAIN AN ACCURATE MEASUREMENT OF THE WATER LEVEL IN THE WELL. ONE POUND PER SQUARE INCH PRESSURE EQUALS 2.31 FEET OF WATER.

Figure 5. SUGGESTED METHODS FOR INSTALLING PRESSURE GAGES AND AIR LINES FOR MEASURING WATER LEVELS IN WELLS



NOT TO SCALE

Figure 6. GENERAL RESOURCE PROTECTION WELL—CROSS SECTION.

[Statutory Authority: Chapter 18.104 RCW. WSR 09-01-125 (Order 08-10), § 173-160-990, filed 12/19/08, effective 1/19/09; WSR 98-18-104 (Order 98-17), § 173-160-990, filed 9/2/98, effective 10/3/98. Statutory Authority: Chapter 18.104 RCW and RCW 43.21A.080. WSR 98-08-032 (Order 97-08), § 173-160-990, filed 3/23/98, effective 4/23/98.]