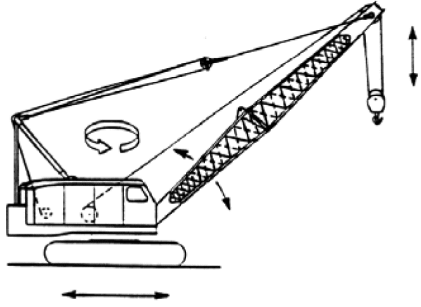
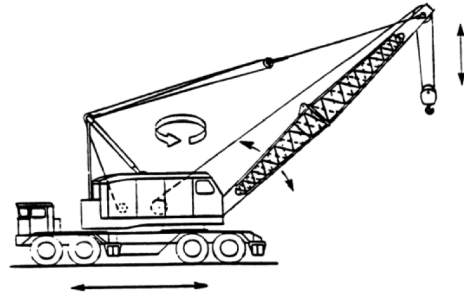


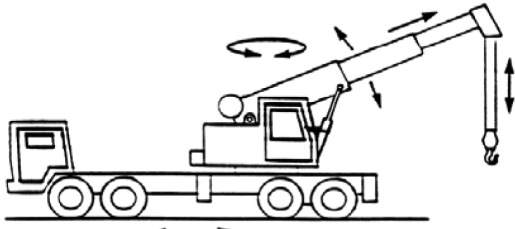
WAC 296-155-56405 Examples of types of cranes.



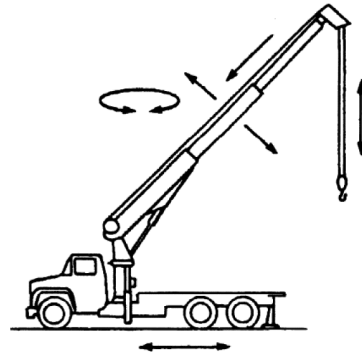
Lattice Boom Crawler Crane (LBC)



Lattice Boom Truck Crane (LBT)

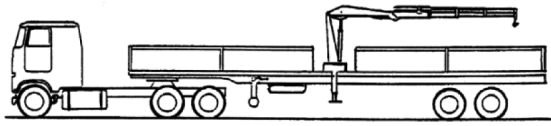


**Large Telescoping Boom Crane –
(Swing Cab)**

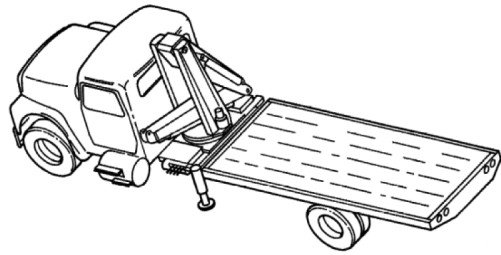


Small Telescoping Boom Crane (Fixed Cab)

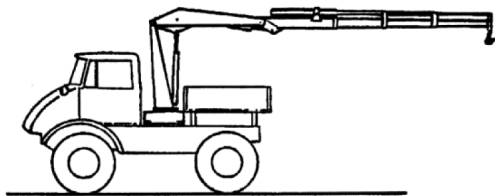
**Mobile Crane Types
Figure 41**



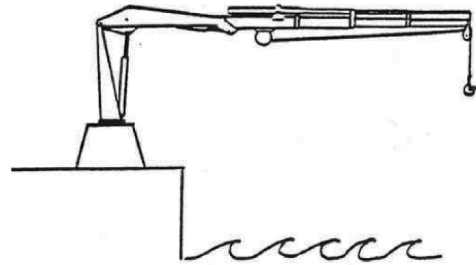
**Articulating Boom Crane –
Trailer Mounted**



**Articulating Boom Crane –
Truck Mounted**

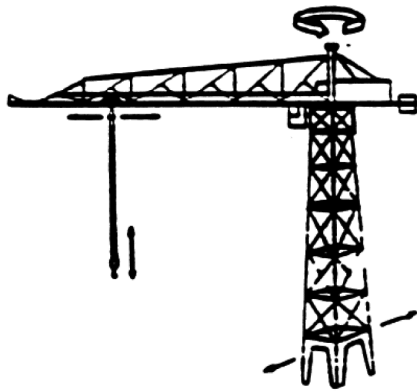


**Articulating Boom Crane –
Off Road Vehicle**

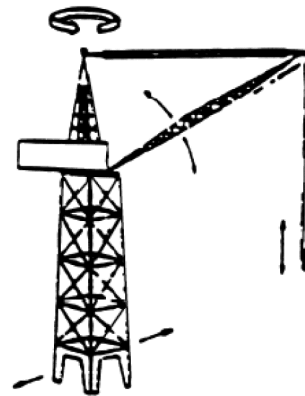


**Articulating Crane –
Stationary Installation**

**Articulating Boom Crane Types
Figure 42**

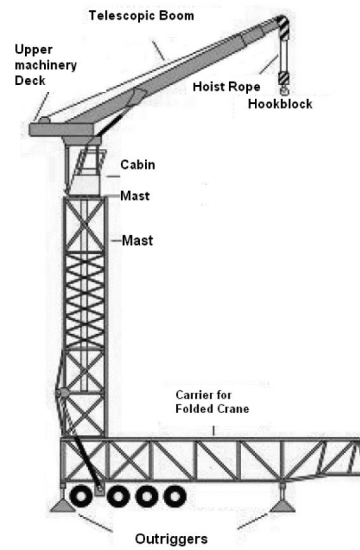
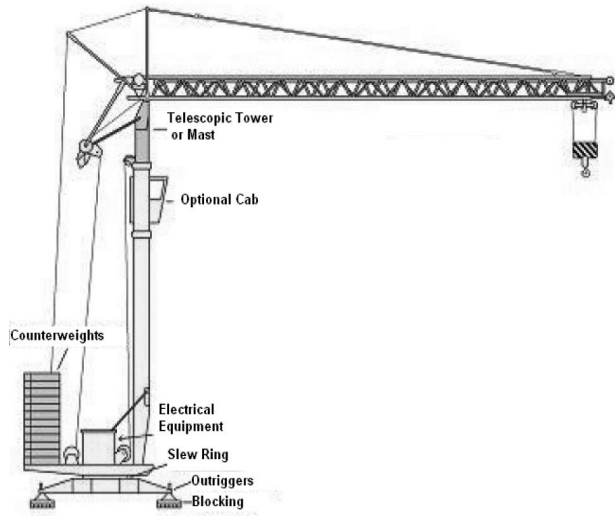
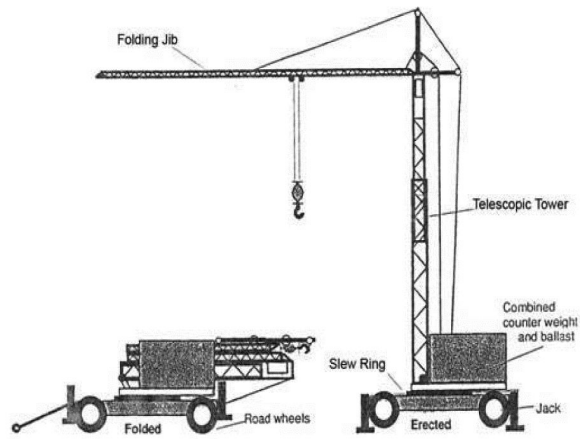
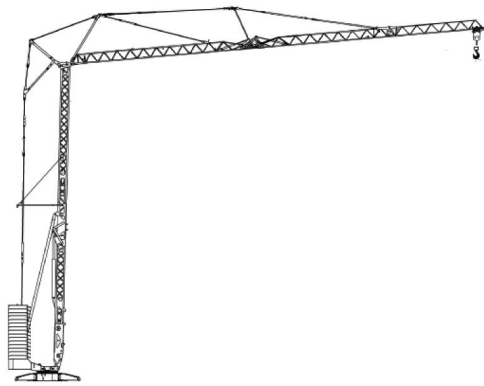


Hammerhead Tower Crane

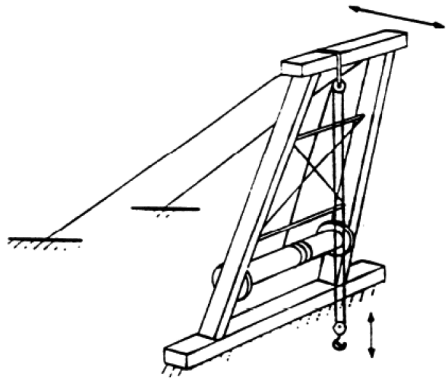


Luffing Boom Tower Crane

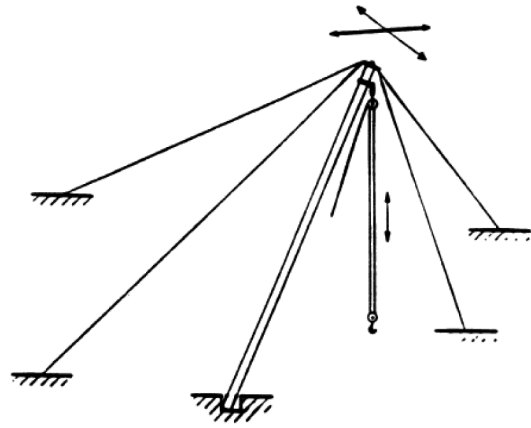
**Tower Crane Types
Figure 43**



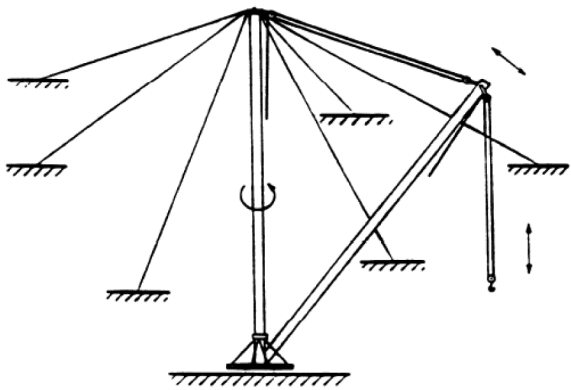
Types of Self-Erecting Tower Cranes
Figure 44



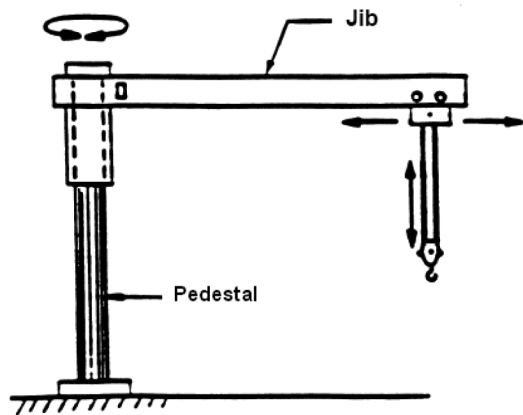
Breast Derrick



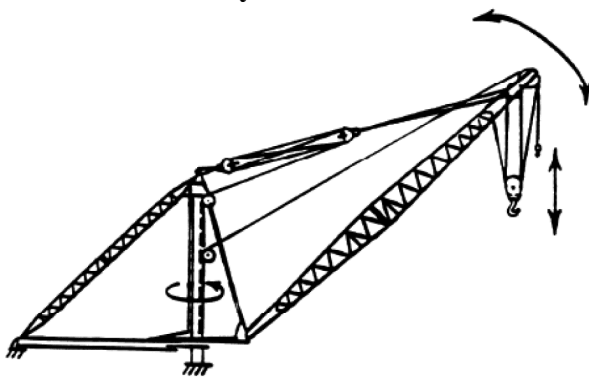
Gin-Pole Derrick



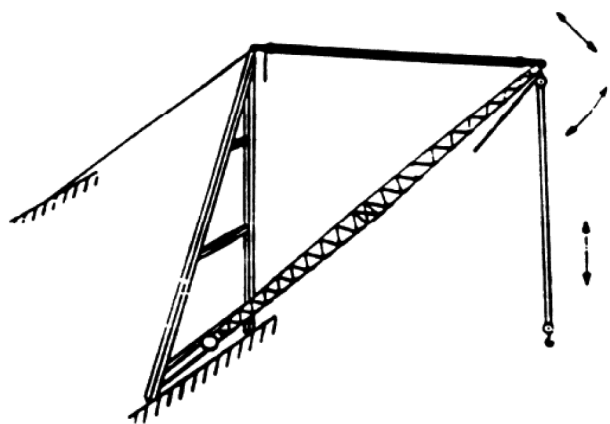
Guyed Derrick



Pedestal-Jib Crane

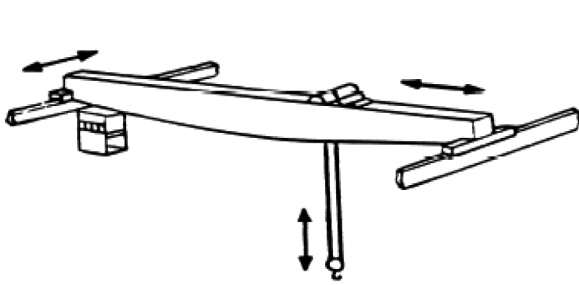


Stiff-Leg Derrick

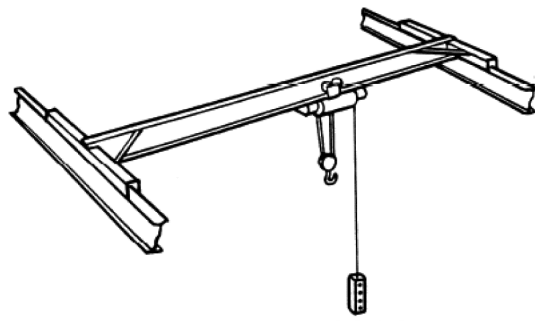


A-Frame Derrick

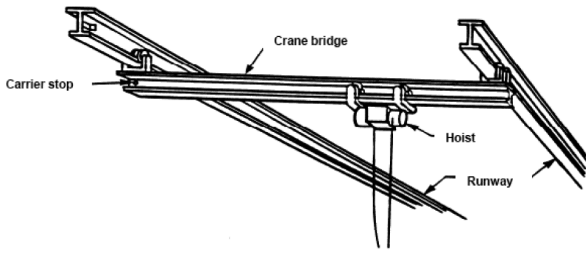
**Types of Derricks
Figure 45**



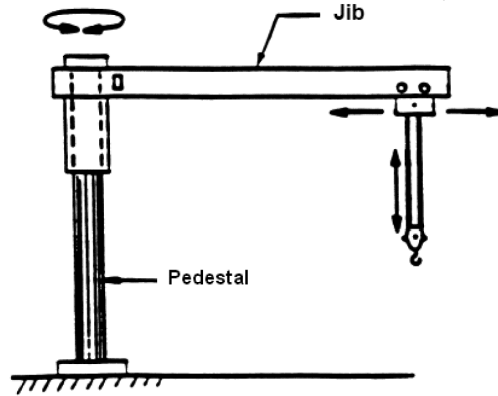
Top Running Bridge/Top Running Trolley



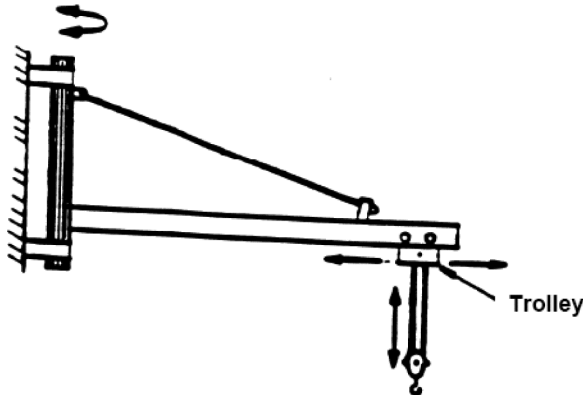
Top Running Bridge/Underhung Trolley



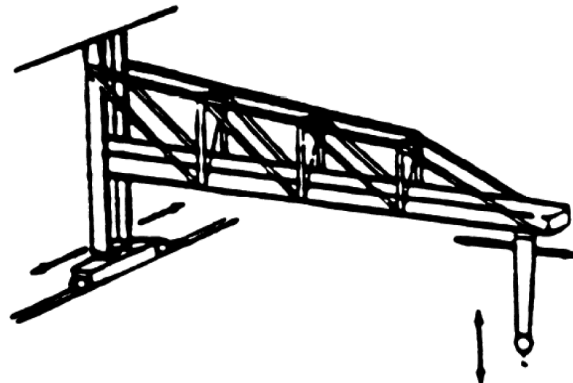
Underhung Bridge/Underhung Trolley



Pedestal-Jib Crane



Jib Crane (Wall Mounted)



Wall Mounted Bridge Crane

**Types of Bridge Cranes
Figure 46**

[Statutory Authority: RCW 49.17.010, 49.17.040, 49.17.050, 49.17.440, 49.17.060, and 29 C.F.R. 1926, Subpart CC. WSR 12-01-086, § 296-155-56405, filed 12/20/11, effective 2/1/12.]