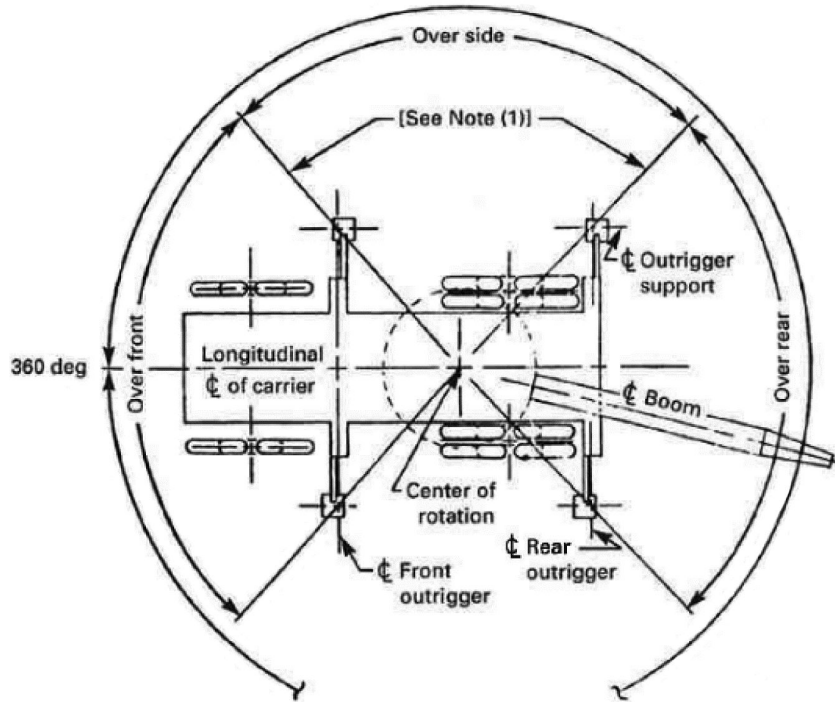
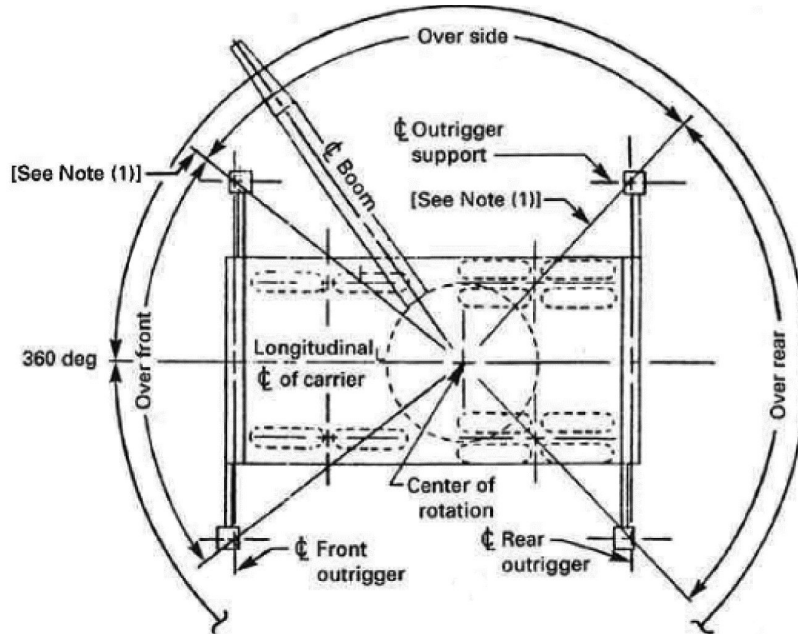


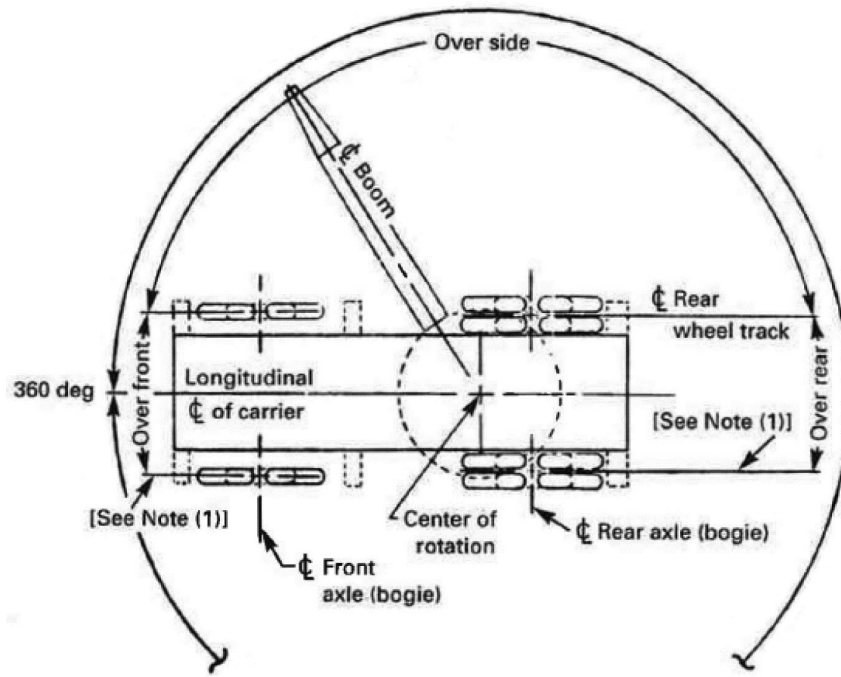
Figure 47
Work Areas



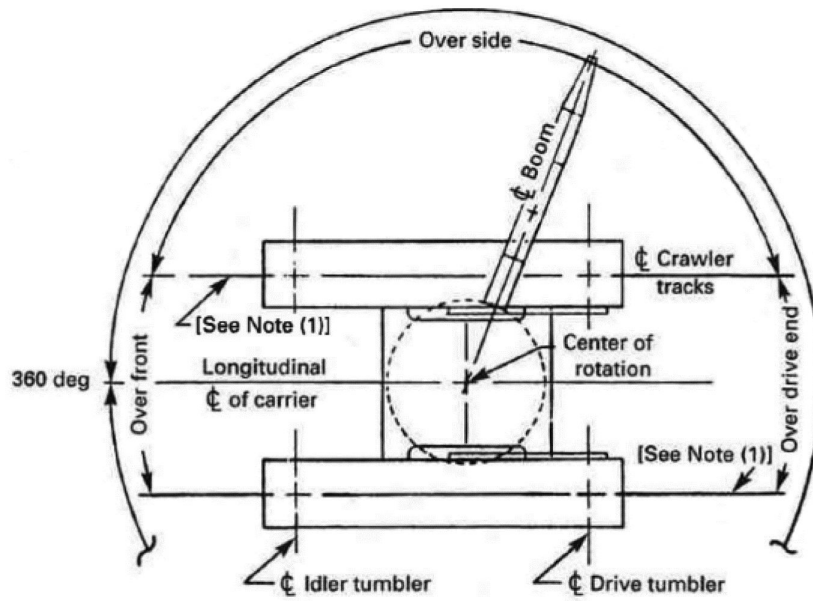
(a) Carrier on Outriggers - Front Outrigger Behind of Front Wheels [Note (2)]



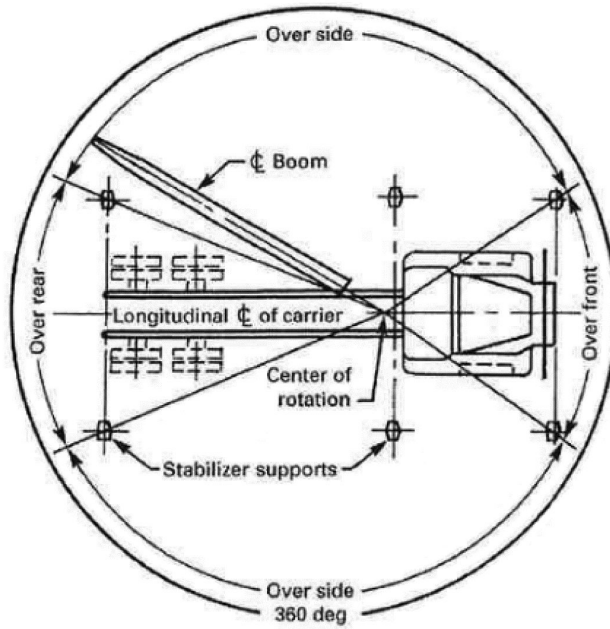
(b) Carrier on Outriggers - Front Outriggers Ahead of Front Wheels [Note (2)]



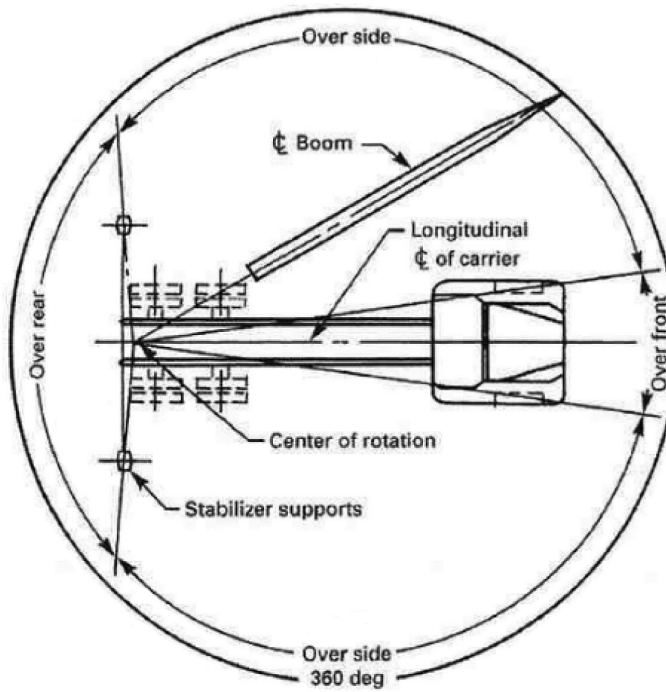
(c) Carrier on Tires [Note (2)]



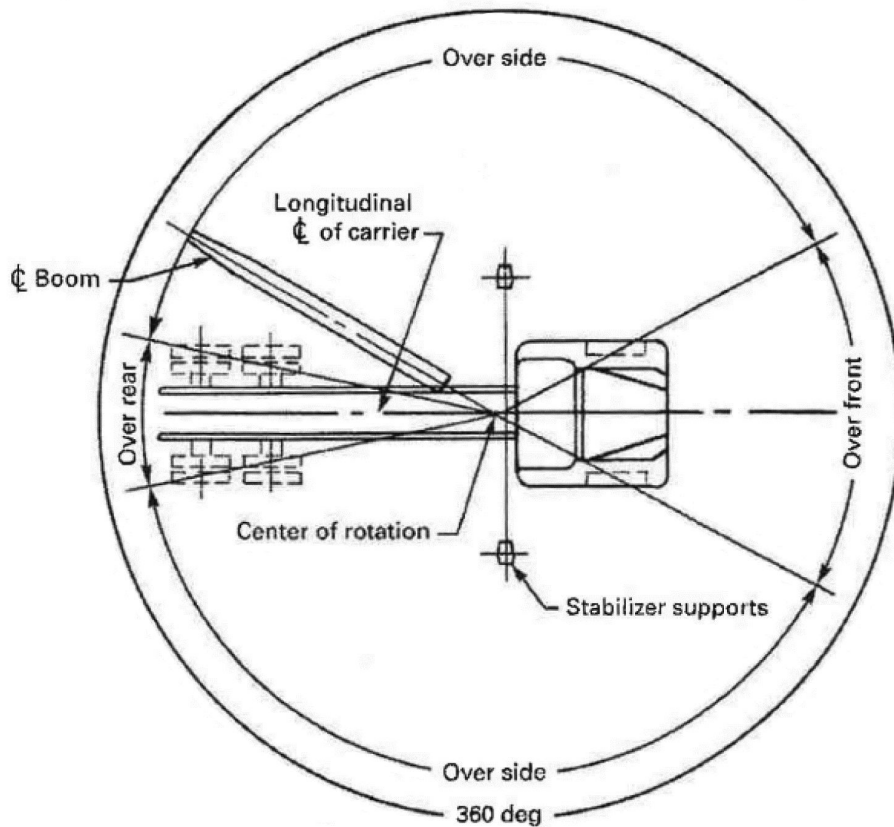
(d) Crawler Type Lower [Note(2)]



(e) Notes (1) and (2)



(f) Notes (1) and (2)



(g) Notes (1) and (2)

Notes:

- (1) These lines determine the limiting position of any load for operation within the working areas indicated.
- (2) Configurations that deviate sufficiently from the work areas shown in these figures must have their working areas defined by appropriate sets of diagrams supplied by the manufacturer or an RPE.

[Statutory Authority: RCW 49.17.010, 49.17.040, 49.17.050, 49.17.440, 49.17.060, and 29 C.F.R. 1926, Subpart CC. WSR 12-01-086, § 296-155-56435, filed 12/20/11, effective 2/1/12.]

Reviser's note: The brackets and enclosed material in the text of the above section occurred in the copy filed by the agency.