

Washington State Register

SEPTEMBER 17, 1997

OLYMPIA, WASHINGTON

ISSUE 97-18



IN THIS ISSUE

Agriculture, Department of
Bellingham Technical College
Community, Trade and Economic
Development, Department of
County Road Administration Board
Ecology, Department of
Employment Security Department
Engineers and Land Surveyors, Board of
Registration for Professional
Fish and Wildlife, Department of
Gambling Commission
Health Care Authority
Health, Department of
Insurance Commissioner's Office
Labor and Industries, Department of

Library, Washington State
Licensing, Department of
Parks and Recreation Commission
Public Employment Relations Commission
Public Instruction, Superintendent of
Seattle Community Colleges
Secretary of State
Social and Health Services, Department of
Tacoma Community College
Transportation Commission
University of Washington
Utilities and Transportation Commission
Volunteer Firefighters, Board for
Workforce Training and Education
Coordinating Board

(Subject/Agency index at back of issue)
This issue contains documents officially
filed not later than September 3, 1997

CITATION

Cite all material in the Washington State Register by its issue number and sequence within that issue, preceded by the acronym WSR. Example: the 37th item in the August 5, 1981, Register would be cited as WSR 81-15-037.

PUBLIC INSPECTION OF DOCUMENTS

A copy of each document filed with the code reviser's office, pursuant to chapter 34.05 RCW, is available for public inspection during normal office hours. The code reviser's office is located on the ground floor of the Legislative Building in Olympia. Office hours are from 8 a.m. to 5 p.m., Monday through Friday, except legal holidays. Telephone inquiries concerning material in the Register or the Washington Administrative Code (WAC) may be made by calling (360) 753-7470.

REPUBLICATION OF OFFICIAL DOCUMENTS

All documents appearing in the Washington State Register are prepared and printed at public expense. There are no restrictions on the republication of official documents appearing in the Washington State Register. All news services are especially encouraged to give wide publicity to all documents printed in the Washington State Register.

CERTIFICATE

Pursuant to RCW 34.08.040, the publication of rules or other information in this issue of the Washington State Register is hereby certified to be a true and correct copy of such rules or other information, except that headings of public meeting notices have been edited for uniformity of style.

DENNIS W. COOPER
Code Reviser

STATE MAXIMUM INTEREST RATE

(Computed and filed by the State Treasurer under RCW 19.52.025)

The maximum allowable interest rate applicable for the month of September 1997 pursuant to RCW 19.52.020 is twelve point zero percent (12.00%).

NOTICE: FEDERAL LAW PERMITS FEDERALLY INSURED FINANCIAL INSTITUTIONS IN THE STATE TO CHARGE THE HIGHEST RATE OF INTEREST THAT MAY BE CHARGED BY ANY FINANCIAL INSTITUTION IN THE STATE. THE MAXIMUM ALLOWABLE RATE OF INTEREST SET FORTH ABOVE MAY NOT APPLY TO A PARTICULAR TRANSACTION.

WASHINGTON STATE REGISTER

(ISSN 0164-6389) is published twice each month by the Statute Law Committee, Office of the Code Reviser, Olympia, WA 98504-0552, pursuant to RCW 34.08.020. Subscription rate is \$189.00 per year, sales tax included, postpaid to points in the United States. Periodical postage paid at Olympia, Washington.

POSTMASTER: SEND ADDRESS CHANGES TO:

WASHINGTON STATE REGISTER
Code Reviser's Office
Legislative Building
P.O. Box 40552
Olympia, WA 98504-0552

The Washington State Register is an official publication of the state of Washington. It contains proposed, emergency, and permanently adopted administrative rules, as well as other documents filed with the code reviser's office pursuant to RCW 34.08.020 and 42.30.075. Publication of any material in the Washington State Register is deemed to be official notice of such information.

Mary F. Gallagher Dilley
Chair, Statute Law Committee

Dennis W. Cooper
Code Reviser

Gary Reid
Chief Assistant Code Reviser

Kerry S. Radcliff
Editor

Joyce Matzen
Subscription Clerk

STYLE AND FORMAT OF THE WASHINGTON STATE REGISTER

1. ARRANGEMENT OF THE REGISTER

The Register is arranged in the following six sections:

- (a) **PREPROPOSAL**-includes the Preproposal Statement of Inquiry that will be used to solicit public comments on a general area of proposed rule making before the agency files a formal notice.
- (b) **PROPOSED**-includes the full text of formal proposals, continuances, supplemental notices, and withdrawals.
- (c) **PERMANENT**-includes the full text of permanently adopted rules.
- (d) **EMERGENCY**-includes the full text of emergency rules and rescissions.
- (e) **MISCELLANEOUS**-includes notice of public meetings of state agencies, rules coordinator notifications, summaries of attorney general opinions, executive orders and emergency declarations of the governor, rules of the state Supreme Court, and other miscellaneous documents filed with the code reviser's office under RCW 34.08.020 and 42.30.075.
- (f) **TABLE**-includes a cumulative table of the WAC sections that are affected in the current year.
- (g) **INDEX**-includes a combined subject matter and agency index.

Documents are arranged within each section of the Register according to the order in which they are filed in the code reviser's office during the pertinent filing period. The three part number in the heading distinctively identifies each document, and the last part of the number indicates the filing sequence with a section's material.

2. PRINTING STYLE—INDICATION OF NEW OR DELETED MATERIAL

RCW 34.05.395 requires the use of certain marks to indicate amendments to existing agency rules. This style quickly and graphically portrays the current changes to existing rules as follows:

- (a) In amendatory sections—
 - (i) underlined material is new material;
 - (ii) ~~deleted material is ((lined out between double parentheses))~~;
- (b) Complete new sections are prefaced by the heading **NEW SECTION**;
- (c) The repeal of an entire section is shown by listing its WAC section number and caption under the heading **REPEALER**.

3. MISCELLANEOUS MATERIAL NOT FILED UNDER THE ADMINISTRATIVE PROCEDURE ACT

Material contained in the Register other than rule-making actions taken under the APA (chapter 34.05 RCW) does not necessarily conform to the style and format conventions described above. The headings of these other types of material have been edited for uniformity of style; otherwise the items are shown as nearly as possible in the form submitted to the code reviser's office.

4. EFFECTIVE DATE OF RULES

- (a) Permanently adopted agency rules normally take effect thirty-one days after the rules and the agency order adopting them are filed with the code reviser's office. This effective date may be delayed or advanced and such an effective date will be noted in the promulgation statement preceding the text of the rule.
- (b) Emergency rules take effect upon filing with the code reviser's office unless a later date is provided by the agency. They remain effective for a maximum of one hundred twenty days from the date of filing.
- (c) Rules of the state Supreme Court generally contain an effective date clause in the order adopting the rules.

5. EDITORIAL CORRECTIONS

Material inserted by the code reviser's office for purposes of clarification or correction or to show the source or history of a document is enclosed in [brackets].

1996 - 1997

DATES FOR REGISTER CLOSING, DISTRIBUTION, AND FIRST AGENCY ACTION

Issue No.	Closing Dates ¹			Distribution Date	First Agency Hearing Date ³
	Non-OTS & 30 p. or more	Non-OTS & 11 to 29 p.	OTS ² or 10 p. max. Non-OTS		
<i>For Inclusion in--</i>	<i>File no later than 12:00 NOON--</i>			<i>Count 20 days from--</i>	<i>For hearing on or after</i>
96-16	Jul 10	Jul 24	Aug 7	Aug 21	Sep 10
96-17	Jul 24	Aug 7	Aug 21	Sep 4	Sep 24
96-18	Aug 7	Aug 21	Sep 4	Sep 18	Oct 8
96-19	Aug 21	Sep 4	Sep 18	Oct 2	Oct 22
96-20	Sep 4	Sep 18	Oct 2	Oct 16	Nov 5
96-21	Sep 25	Oct 9	Oct 23	Nov 6	Nov 26
96-22	Oct 9	Oct 23	Nov 6	Nov 20	Dec 10
96-23	Oct 23	Nov 6	Nov 20	Dec 4	Dec 24
96-24	Nov 6	Nov 20	Dec 4	Dec 18, 1996	Jan 7, 1997
97-01	Nov 21	Dec 5	Dec 19, 1996	Jan 2, 1997	Jan 22
97-02	Dec 5	Dec 19, 1996	Jan 2, 1997	Jan 15	Feb 4
97-03	Dec 26, 1996	Jan 8, 1997	Jan 22	Feb 5	Feb 25
97-04	Jan 8	Jan 22	Feb 5	Feb 19	Mar 11
97-05	Jan 22	Feb 5	Feb 19	Mar 5	Mar 25
97-06	Feb 5	Feb 19	Mar 5	Mar 19	Apr 8
97-07	Feb 19	Mar 5	Mar 19	Apr 2	Apr 22
97-08	Mar 5	Mar 19	Apr 2	Apr 16	May 6
97-09	Mar 26	Apr 9	Apr 23	May 7	May 27
97-10	Apr 9	Apr 23	May 7	May 21	Jun 10
97-11	Apr 23	May 7	May 21	Jun 4	Jun 24
97-12	May 7	May 21	Jun 4	Jun 18	Jul 8
97-13	May 21	Jun 4	Jun 18	Jul 2	Jul 22
97-14	Jun 4	Jun 18	Jul 2	Jul 16	Aug 5
97-15	Jun 25	Jul 9	Jul 23	Aug 6	Aug 26
97-16	Jul 9	Jul 23	Aug 6	Aug 20	Sep 9
97-17	Jul 23	Aug 6	Aug 20	Sep 3	Sep 23
97-18	Aug 6	Aug 20	Sep 3	Sep 17	Oct 7
97-19	Aug 20	Sep 3	Sep 17	Oct 1	Oct 21
97-20	Sep 3	Sep 17	Oct 1	Oct 15	Nov 4
97-21	Sep 24	Oct 8	Oct 22	Nov 5	Nov 25
97-22	Oct 8	Oct 22	Nov 5	Nov 19	Dec 9
97-23	Oct 22	Nov 5	Nov 19	Dec 3	Dec 23
97-24	Nov 5	Nov 19	Dec 3	Dec 17, 1997	Jan 6, 1998

¹ All documents are due at the code reviser's office by 12:00 noon on or before the applicable closing date for inclusion in a particular issue of the Register; see WAC 1-21-040.

² A filing of any length will be accepted on the closing dates of this column if it has been prepared and completed by the order typing service (OTS) of the code reviser's office; see WAC 1-21-040. Agency-typed material is subject to a ten page limit for these dates; longer agency-typed material is subject to the earlier non-OTS dates.

³ At least twenty days before the rule-making hearing, the agency shall cause notice of the hearing to be published in the Register; see RCW 34.05.320(1). These dates represent the twentieth day after the distribution date of the applicable Register.

REGULATORY FAIRNESS ACT

The Regulatory Fairness Act, chapter 19.85 RCW, was enacted in 1982 to minimize the impact of state regulations on small business. Amended in 1994, the act requires a small business economic impact analysis of proposed rules that impose more than a minor cost on twenty percent of the businesses in all industries, or ten percent of the businesses in any one industry. The Regulatory Fairness Act defines industry as businesses within a four digit SIC classification, and for the purpose of this act, small business is defined by RCW 19.85.020 as "any business entity, including a sole proprietorship, corporation, partnership, or other legal entity, that is owned and operated independently from all other businesses, that has the purpose of making a profit, and that has fifty or fewer employees."

Small Business Economic Impact Statements (SBEIS)

A small business economic impact statement (SBEIS) must be prepared by state agencies when a proposed rule meets the above criteria. Chapter 19.85 RCW requires the Washington State Business Assistance Center (BAC) to develop guidelines for agencies to use in determining whether the impact of a rule is more than minor and to provide technical assistance to agencies in developing a SBEIS. All permanent rules adopted under the Administrative Procedure Act, chapter 34.05 RCW, must be reviewed to determine if the requirements of the Regulatory Fairness Act apply; if an SBEIS is required it must be completed before permanent rules are filed with the Office of the Code Reviser.

Mitigation

In addition to completing the economic impact analysis for proposed rules, state agencies must take reasonable, legal, and feasible steps to reduce or mitigate the impact of rules on small businesses when there is a disproportionate impact on small versus large business. State agencies are encouraged to reduce the economic impact of rules on small businesses when possible and when such steps are in keeping with the stated intent of the statute(s) being implemented by proposed rules. Since 1994, small business economic impact statements must contain a list of the mitigation steps taken, or reasonable justification for not taking steps to reduce the impact of rules on small businesses.

When is an SBEIS Required?

When:

The proposed rule has more than a minor (as defined by the BAC) economic impact on businesses in more than twenty percent of all industries or more than ten percent of any one industry.

When is an SBEIS Not Required?

When:

The rule is proposed only to comply or conform with a federal law or regulation, and the state has no discretion in how the rule is implemented;

There is less than minor economic impact on business;

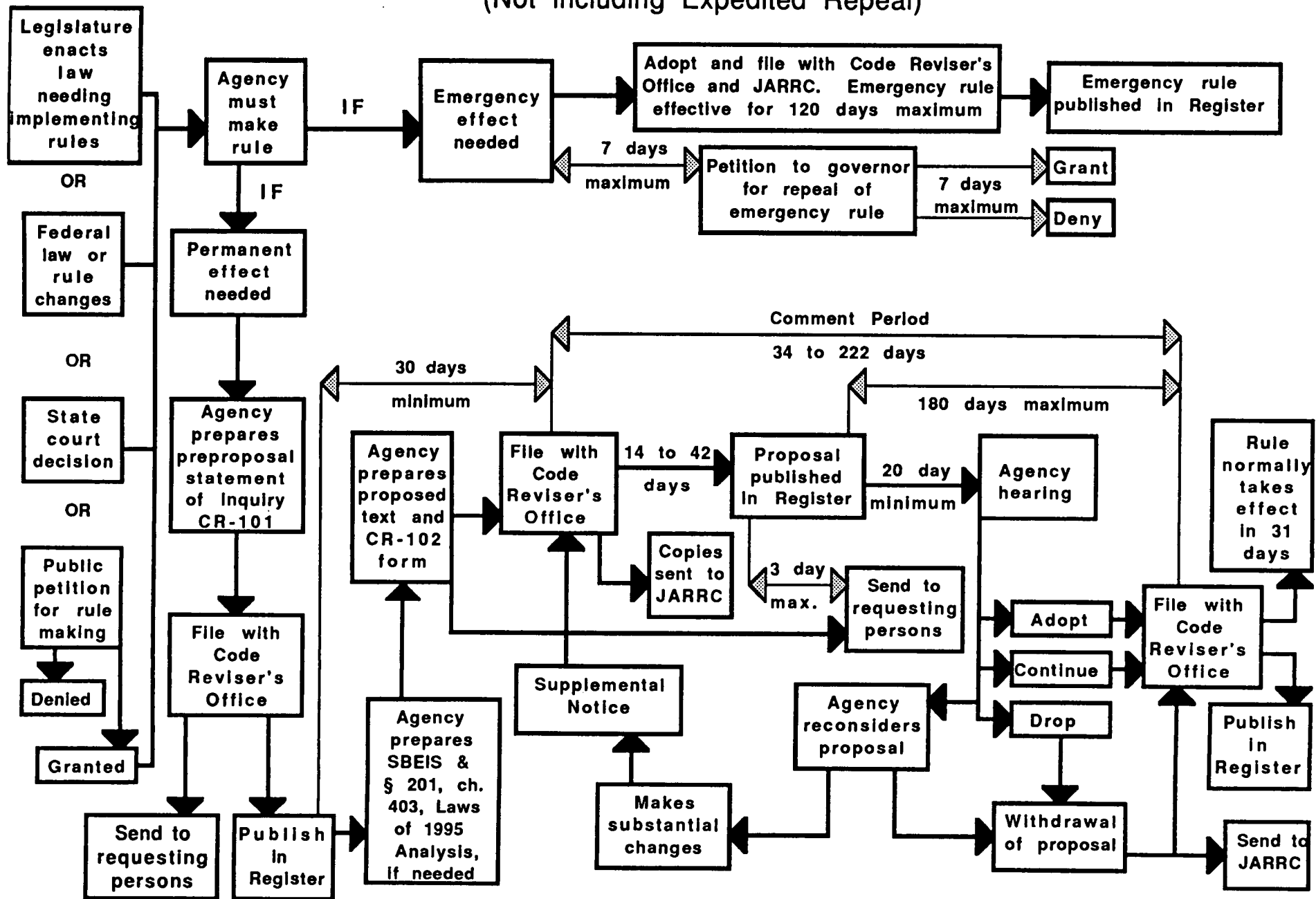
The rule REDUCES costs to business (although an SBEIS may be a useful tool for demonstrating this reduced impact);

The rule is adopted as an emergency rule, although an SBEIS may be required when an emergency rule is proposed for adoption as a permanent rule; or

The rule is pure restatement of state statute.

RULE-MAKING PROCESS

(Not including Expedited Repeal)



WSR 97-18-003
PREPROPOSAL STATEMENT OF INQUIRY
GAMBLING COMMISSION

[Filed August 21, 1997, 1:14 p.m.]

Subject of Possible Rule Making: License fee increases per I-601.

Statutes Authorizing the Agency to Adopt Rules on this Subject: RCW 9.46.070 (1)-(5), (14), and (20).

Reasons Why Rules on this Subject may be Needed and What They Might Accomplish: Licensing fees need to be adjusted to reflect cost of regulating charitable/nonprofits, commercial establishments, and individuals.

Other Federal and State Agencies that Regulate this Subject and the Process Coordinating the Rule with These Agencies: None.

Process for Developing New Rule: Agency study.

Interested parties can participate in the decision to adopt the new rule and formulation of the proposed rule before publication by contacting Ben Bishop, Deputy Director, P.O. Box 42400, Olympia, WA 98504-2400, (360) 438-7640; Carrie Tellefson, Special Assistant to the Director, P.O. Box 42400, Olympia, WA 98504-2400, (360) 438-7640; or Soojin Kim, Rules and Policy Coordinator, P.O. Box 42400, Olympia, WA 98504-2400, (360) 438-7654 ext. 310; Holiday Inn Sea Tac, 17338 International Boulevard, SeaTac, WA 98188, (206) 248-1000, on September 12, 1997; Icicle Inn/Best Western, 505 Highway 2, Leavenworth, WA 98826, (509) 548-8000, on October 10, 1997; Shilo Inn, 707 Ocean Shore Boulevard, Ocean Shores, WA 98569, (360) 289-4600, on November 14, 1997.

August 21, 1997

Soojin Kim

Rules and Policy Coordinator

WSR 97-18-006
PREPROPOSAL STATEMENT OF INQUIRY
DEPARTMENT OF HEALTH

[Filed August 22, 1997, 8:07 a.m.]

Subject of Possible Rule Making: The State Board of Health is considering amending several public water supply provisions contained in chapter 246-290 WAC. Possible changes include: Clarifying and adding detail on water conservation and financial viability requirements; modifying and streamlining the process for water system project approval; amending water system design standards, including adding water demand and physical capacity requirements; incorporating recent federal Safe Drinking Water Act amendments, including limited alternatives to filtration; expanding public notification and disclosure requirements; requiring the preparation of water shortage response plans; clarifying cross-connection control requirements; moving and adding several sections; and, making numerous nonsubstantive grammatical and organizational changes.

Statutes Authorizing the Agency to Adopt Rules on this Subject: The State Board of Health is authorized to adopt rules for public water systems under RCW 43.20.050, which describes the board's powers and duties.

Reasons Why Rules on this Subject may be Needed and What They Might Accomplish: Amendments to chapter 246-290 WAC are needed to incorporate recent legislative

changes, clarify existing ambiguous language, ensure consistency in application of rules, and modify state rules as required to conform to federal rule changes. The amendments are intended to provide the Department of Health with greater flexibility in the administration of water system requirements thereby reducing the burden on the regulated community and to eliminate unnecessary costs to water system owners and customers. Many of the changes have been recommended by the Drinking Water 2000 Task Force, a multi-interest group that was charged with determining how the Department of Health's drinking water program should be structured and funded by the year 2000.

Other Federal and State Agencies that Regulate this Subject and the Process Coordinating the Rule with These Agencies: The changes that are being considered are in support of the Memoranda of Understanding into which the Department of Health has joined with the Department of Ecology and the Washington Utilities and Transportation Commission, both of whom will be notified of the changes. The Department of Health will also inform the United States Environmental Protection Agency of the proposed changes that relate to the state's implementation of the federal Safe Drinking Water Act.

Process for Developing New Rule: The board will ensure that the Department of Health follows the rule development process described in chapter 34.05 RCW. In addition, the department will carry out self-imposed procedures that allow ample opportunity for public input throughout the rule development process, as well as require the agency to critically examine the proposed rule and various alternatives. The division will address input that it receives from interested parties as the rule progresses and integrate it when appropriate.

Interested parties can participate in the decision to adopt the new rule and formulation of the proposed rule before publication. Interested parties will be afforded several opportunities to participate in the rule development process. Information will be distributed and input will be solicited through a variety of means, including workshops, informational meetings, advisory group sessions, mailings, and written and oral comments. People who would like more information about rule making should contact Tom Jaenicke, Department of Health, Division of Drinking Water, P.O. Box 47822, Olympia, WA 98504-7822, phone (360) 753-7432, FAX (360) 586-5529, e-mail thj0303@hub.doh.wa.gov.

August 20, 1997

Sylvia Beck

Executive Director
 State Board of Health

WSR 97-18-010
PREPROPOSAL STATEMENT OF INQUIRY
SUPERINTENDENT OF
PUBLIC INSTRUCTION

[Filed August 22, 1997, 3:50 p.m.]

Subject of Possible Rule Making: Chapter 392-115 WAC, Finance—Audit resolution process.

Statutes Authorizing the Agency to Adopt Rules on this Subject: SSB 5394, RCW 28A.300.070.

August 26, 1997
Elin Meyer
Rules Coordinator

Reasons Why Rules on this Subject may be Needed and What They Might Accomplish: To implement SSB 5394 which gives the superintendent authority to resolve all audit findings (monetary or nonmonetary) involving state funds and recover such funds or make apportionment adjustments as necessary.

Other Federal and State Agencies that Regulate this Subject and the Process Coordinating the Rule with These Agencies: No other federal or state agencies regulate the Office of the Superintendent of Public Instruction in regards to audit oversight or resolution.

Process for Developing New Rule: Early solicitation of public comments and recommendations respecting new, amended or repealed rules, and consideration of the comments and recommendations in the course of drafting rules.

Interested parties can participate in the decision to adopt the new rule and formulation of the proposed rule before publication by sending written comments to Rules Coordinator, Legal Services, P.O. Box 47200, Olympia, WA 98504-7200, FAX (360) 753-4201, TDD (360) 664-3631, Marcelyn A. Senger, Director, Audit Management and Resolution, Office of the Superintendent of Public Instruction, Old Capitol Building, P.O. Box 47200, Olympia, WA 98504-7200, (360) 664-0661, (360) 586-3946.

Dr. Terry Bergeson
Superintendent of
Public Instruction

WSR 97-18-033

PREPROPOSAL STATEMENT OF INQUIRY HEALTH CARE AUTHORITY

(Basic Health Plan)

[Filed August 26, 1997, 4:30 p.m.]

Subject of Possible Rule Making: Revision of Basic Health Plan rules regarding eligibility for institutionalized persons, the employer program, the financial sponsor program, reservation list, payment of commissions to insurance brokers and agents and suspension or disenrollment for nonpayment. Revises WAC 182-25-010, 182-25-020, 182-25-030, 182-25-040, 182-25-070, 182-25-080, 182-25-090, 182-25-100, and 182-25-105.

Statutes Authorizing the Agency to Adopt Rules on this Subject: RCW 70.47.050.

Reasons Why Rules on this Subject may be Needed and What They Might Accomplish: Revisions are needed in order to incorporate legislative and program changes.

Other Federal and State Agencies that Regulate this Subject and the Process Coordinating the Rule with These Agencies: No other federal or state agencies regulate Basic Health Plan.

Process for Developing New Rule: Public hearing and stakeholder meetings.

Interested parties can participate in the decision to adopt the new rule and formulation of the proposed rule before publication. Draft rules will be mailed to interested parties in October 1997. Written comments may be sent to Rosanne Reynolds, Basic Health Plan, P.O. Box 42683, Olympia, WA 98504-2683, FAX (360) 412-4276, phone (360) 923-2948.

WSR 97-18-038

PREPROPOSAL STATEMENT OF INQUIRY DEPARTMENT OF LICENSING

(Board of Registration for Professional Engineers and
Land Surveyors)

[Filed August 27, 1997, 1:35 p.m.]

Subject of Possible Rule Making: Adjust and adopt fees for the professional engineer and land surveyor program.

Statutes Authorizing the Agency to Adopt Rules on this Subject: RCW 43.24.086 together with RCW 18.43.050, [18.43.]060, [18.43.]080, [18.43.]100, [18.43.]130, [18.43.]160 and chapter 247, Laws of 1997.

Reasons Why Rules on this Subject may be Needed and What They Might Accomplish: State law requires that all professional licensing programs collect sufficient revenue through fees to recover the cost of the regulatory program. Charges are also assessed for pass-through examination costs. Adjustments are required periodically to assure that revenue is consistent with expenditures.

Other Federal and State Agencies that Regulate this Subject and the Process Coordinating the Rule with These Agencies: None.

Process for Developing New Rule: Agency study.

Interested parties can participate in the decision to adopt the new rule and formulation of the proposed rule before publication by contacting Alan E. Rathbun, PE, Executive Director, Board of Registration for Professional Engineers and Land Surveyors, P.O. Box 9649, Olympia, WA 98507-9649, phone (360) 753-3634, FAX (360) 664-2551. A mailing list of interested parties will be developed to notify same of informational meetings and/or public hearings.

August 25, 1997
Alan E. Rathbun, PE
Executive Director

WSR 97-18-039

PREPROPOSAL STATEMENT OF INQUIRY DEPARTMENT OF LICENSING

(Board of Registration for Professional Engineers and
Land Surveyors)

[Filed August 27, 1997, 1:37 p.m.]

Subject of Possible Rule Making: Implement provisions of chapter 247, Laws of 1997 (SB 5266) related to certificates of authorization for corporations, partnerships and limited liability companies. Amend existing rules as required and adopt fees.

Statutes Authorizing the Agency to Adopt Rules on this Subject: RCW 18.43.035, chapter 247, Laws of 1997, and RCW 43.24.086.

Reasons Why Rules on this Subject may be Needed and What They Might Accomplish: Amend existing rules due to statutory revision. Establish application procedure for limited liability companies and set fees as required by chapter 247, Laws of 1997.

Other Federal and State Agencies that Regulate this Subject and the Process Coordinating the Rule with These Agencies: None.

Process for Developing New Rule: Agency study; and rule advisory committee will be established to assist in drafting rules and procedures. Interested parties may request to participate on this committee.

Interested parties can participate in the decision to adopt the new rule and formulation of the proposed rule before publication by contacting W. Rick Notestine, Licensing Program Director, Board of Registration for Professional Engineers and Land Surveyors, P.O. Box 9649, Olympia, WA 98507-9649, phone (360) 753-3634, FAX (360) 664-2551. Interested parties may participate on a rule advisory committee. A mailing list will also be developed to notify parties of informational meetings and/or public hearings.

August 25, 1997
Alan E. Rathbun, PE
Executive Director

WSR 97-18-049

PREPROPOSAL STATEMENT OF INQUIRY DEPARTMENT OF ECOLOGY

[Order 97-30—Filed August 28, 1997, 3:07 p.m.]

Subject of Possible Rule Making: Biosolids recycling in general, disposal of biosolids in municipal solid waste landfills, labeling requirements for biosolids products, and biosolids permit fees.

Statutes Authorizing the Agency to Adopt Rules on this Subject: RCW 70.95J.020, directs the agency to adopt a rule to implement a biosolids management program. ESB 5590, authorizes the agency to set biosolids permit fees by rule (1997 legislature). RCW 70.95.255, directs the agency to work with the Departments of Health and Agriculture to establish labeling and notification requirements for sludge material sold commercially or given away to the public.

Reasons Why Rules on this Subject may be Needed and What They Might Accomplish: The agency is directed to adopt these rules by statute. A rule for biosolids management is needed to encourage beneficial use of biosolids while ensuring that standards are in place to protect human health and the environment. The state rule is intended to at least meet the minimum federal standards established under 40 CFR Parts 503, 501, and 122 and the Federal Clean Water Act. A federally compliant program will enable the state to secure delegation of federal biosolids program authority, thereby reducing the burden to the regulated community while delivering an equal or better program to the citizens of the state. Permit fees are needed to support the biosolids program.

Other Federal and State Agencies that Regulate this Subject and the Process Coordinating the Rule with These Agencies: The United States Environmental Protection Agency is responsible for implementing a federal biosolids program. Other state agencies, particularly the Departments of Health and Agriculture have at least a peripheral regulatory interest. Additionally, local jurisdictional health departments currently exercise a direct regulatory role under solid waste laws. All of these agencies have had direct representation on a rule development advisory committee.

Process for Developing New Rule: Consultative. Ecology has convened an advisory committee of about thirty-five representatives of affected stakeholder groups. The committee has participated in discussions related to rule elements and has reviewed and commented on drafts of the rule. In addition, a draft has been circulated to the public and comments have been considered.

Interested parties can participate in the decision to adopt the new rule and formulation of the proposed rule before publication. Biosolids rule development has been an ongoing process. This notice is being filed as an update to one originally filed with the Code Reviser's Office on July 5, 1994. In particular, the agency wanted to make public the addition of a permit fee element to the rule, as authorized under ESB 5590 by the 1997 state legislature. Formal public hearings are expected in late 1997 or early in 1998. Persons with questions and those wishing to participate in the hearings or to be informed of significant developments should contact Kyle Dorsey at the Department of Ecology to have their name placed on a list of interested persons. Mr. Dorsey can be reached at (360) 407-6107, FAX 407-7157, or e-mail at kdor461@ecy.wa.gov.

August 14, 1997
James J. Pendowski
Program Manager

WSR 97-18-065

PREPROPOSAL STATEMENT OF INQUIRY TACOMA COMMUNITY COLLEGE

[Filed September 2, 1997, 11:44 a.m.]

Subject of Possible Rule Making: Tuition and fee waivers for full-time employees.

Statutes Authorizing the Agency to Adopt Rules on this Subject: RCW 28B.15.535(3) and chapter 28B.15 RCW, amending WSR 80-01-006 (Resolution No. 79-12), WAC 132V-11-010, filed December 11, 1979.

Reasons Why Rules on this Subject may be Needed and What They Might Accomplish: To be in compliance with community college tuition and fee waiver changes made by the 1997 legislature.

Other Federal and State Agencies that Regulate this Subject and the Process Coordinating the Rule with These Agencies: State Board for Community and Technical Colleges.

Process for Developing New Rule: Agency study.

Interested parties can participate in the decision to adopt the new rule and formulation of the proposed rule before publication by contacting April Retherford, Associate Dean/Registrar, Tacoma Community College, 6501 South 19th Street, Tacoma, WA 98466, phone (253) 566-5046, FAX (253) 566-6011, aretherf@tcc.tacoma.ctc.edu. To be reviewed by the following Tacoma Community College committees in September: Executive staff, management council, classified staff professional development and faculty professional development committees.

August 27, 1997
April Retherford
Associate Dean/Registrar

**WSR 97-18-068
PREPROPOSAL STATEMENT OF INQUIRY
DEPARTMENT OF LICENSING**

[Filed September 2, 1997, 2:50 p.m.]

Subject of Possible Rule Making: Licensing procedures for real estate companies operating as limited liability companies or limited liability partnerships, correcting masculine gender reference and repealing program administrative rule which conflicts with Washington Public Records Act.

Statutes Authorizing the Agency to Adopt Rules on this Subject: RCW 18.85.010(4), 18.85.040, 18.85.120, 18.85.-130, 18.85.140, 18.85.150, and 18.85.170.

Reasons Why Rules on this Subject may be Needed and What They Might Accomplish: To implement changes to program administrative rules necessitated by passage of SSB 5267 by the 1997 legislature. This agency request legislation provides for limited liability companies and limited liability partnerships to operate as licensed real estate brokerage companies in Washington. Correct masculine gender reference in WAC 308-124F-030 to gender neutral. Eliminate confusion regarding the type of organizations that are permitted to obtain printed lists of licensees by repealing program administrative rules addressing this issue and relying upon the provisions of the Washington Public Records Act codified as RCW 42.17.260(9).

Other Federal and State Agencies that Regulate this Subject and the Process Coordinating the Rule with These Agencies: None.

Process for Developing New Rule: Agency study; and Real Estate Commission discussions, written comments, presentations to stakeholder groups and other.

Interested parties can participate in the decision to adopt the new rule and formulation of the proposed rule before publication. Interested persons may participate in discussions at regularly scheduled commission meetings. The Washington Association of Realtors Annual Conference and other scheduled industry stakeholder sessions. Written input may be mailed or faxed to Robert S. Mitchell, Real Estate Program Manager, P.O. Box 9015, Olympia, WA 98507-9015, FAX (360) 586-0998, phone (360) 586-6102.

August 29, 1997
Robert S. Mitchell
Program Manager

**WSR 97-18-069
PREPROPOSAL STATEMENT OF INQUIRY
PARKS AND RECREATION
COMMISSION**

[Filed September 2, 1997, 3:09 p.m.]

Subject of Possible Rule Making: Chapter 352-24 WAC, Concessions and leases.

Statutes Authorizing the Agency to Adopt Rules on this Subject: RCW 43.51.040(5).

Reasons Why Rules on this Subject may be Needed and What They Might Accomplish: Existing rules will be opened for review and modification, and some will be repealed and replaced by commission policies.

Other Federal and State Agencies that Regulate this Subject and the Process Coordinating the Rule with These

Agencies: Federal agencies, including National Park Service, have their own policies on park concessions and leases.

Process for Developing New Rule: Agency study; and review and comment by existing concessionaire and lessees and the public.

Interested parties can participate in the decision to adopt the new rule and formulation of the proposed rule before publication. Public comment will be taken during the open public meeting of the Washington State Parks and Recreation Commission scheduled for December 5th, in Seattle. To request additional information or to comment in writing contact Wayne McLaughlin, (360) 902-8599, c/o Washington State Parks, P.O. Box 42650, Olympia, WA 98504-2650, e-mail waynem@parks.wa.gov, FAX (360) 586-5875.

September 2, 1997
Jim French
Senior Policy Analyst

**WSR 97-18-070
PREPROPOSAL STATEMENT OF INQUIRY
PARKS AND RECREATION
COMMISSION**

[Filed September 2, 1997, 3:10 p.m.]

Subject of Possible Rule Making: Chapter 352-32 WAC, Public use of state park areas.

Statutes Authorizing the Agency to Adopt Rules on this Subject: Chapter 43.51 RCW.

Reasons Why Rules on this Subject may be Needed and What They Might Accomplish: These rules need to be opened in order to make editorial changes, updates, and an overall clean-up review.

Other Federal and State Agencies that Regulate this Subject and the Process Coordinating the Rule with These Agencies: None.

Process for Developing New Rule: Agency study; and housekeeping.

Interested parties can participate in the decision to adopt the new rule and formulation of the proposed rule before publication. Public comment will be taken during the meeting of the Parks and Recreation Commission scheduled for December 5, in Seattle, Washington. To request additional information or to comment in writing contact Pam McConkey, Washington State Parks, P.O. Box 42650, Olympia, WA 98504-2650, phone (360) 902-8595, FAX (360) 586-5875, e-mail pamm@parks.wa.gov.

September 2, 1997
Jim French
Senior Policy Analyst

**WSR 97-18-071
PREPROPOSAL STATEMENT OF INQUIRY
PARKS AND RECREATION
COMMISSION**

[Filed September 2, 1997, 3:12 p.m.]

Subject of Possible Rule Making: Chapter 352-12 WAC, Moorage and use of marine facilities.

Statutes Authorizing the Agency to Adopt Rules on this Subject: RCW 43.51.040(5).

Reasons Why Rules on this Subject may be Needed and What They Might Accomplish: Existing rules will be opened for review and modifications and some will be repealed and be replaced by commission policies.

Process for Developing New Rule: Agency study.

Interested parties can participate in the decision to adopt the new rule and formulation of the proposed rule before publication. Public comment will be taken during the open public meeting of the Washington State Parks and Recreation Commission scheduled for December 5, 1997, in Seattle. To request additional information or to comment in writing, contact Joan Sager, (360) 902-8608, Washington State Parks, 7150 Cleanwater Lane, P.O. Box 42650, Olympia, WA 98504-2650.

September 2, 1997

Jim French
Policy Analyst

WSR 97-18-078
PREPROPOSAL STATEMENT OF INQUIRY
DEPARTMENT OF
LABOR AND INDUSTRIES
[Filed September 3, 1997, 10:44 a.m.]

Subject of Possible Rule Making: WAC 296-126-098 Wearing apparel, provision of employer required wearing apparel.

Statutes Authorizing the Agency to Adopt Rules on this Subject: RCW 49.12.091.

Reasons Why Rules on this Subject may be Needed and What They Might Accomplish: Governor Locke's veto of SB 5739 directs the department to amend WAC 296-126-098 as adopted January 19, 1997. The rule is needed to clarify protection of the health, safety, welfare and conditions of employment of Washington state workers.

Other Federal and State Agencies that Regulate this Subject and the Process Coordinating the Rule with These Agencies: United States Department of Labor, Wages and Hours Division. The Department of Labor and Industries will consult United States Department of Labor through meetings and correspondence.

Process for Developing New Rule: The department will utilize meetings with all impacted stakeholders as it has throughout the long history of this issue. The department will conduct public hearings and receive written testimony to arrive at a balanced rule.

Interested parties can participate in the decision to adopt the new rule and formulation of the proposed rule before publication by contacting Greg Mowat, Program Manager, Employment Standards, phone (360) 902-5310, FAX (360) 902-5300, Department of Labor and Industries, P.O. Box 44510, Olympia, WA 98504-4510.

September 2, 1997

Gary Moore
Director

WSR 97-18-079
PREPROPOSAL STATEMENT OF INQUIRY
DEPARTMENT OF
LABOR AND INDUSTRIES
[Filed September 3, 1997, 10:50 a.m.]

Subject of Possible Rule Making: WAC 296-128-530(1) Professional—Overtime and minimum wage exemption for computer software professionals as currently provided in federal statute (FLSA).

Statutes Authorizing the Agency to Adopt Rules on this Subject: RCW 49.46.010 (2)(c).

Reasons Why Rules on this Subject may be Needed and What They Might Accomplish: The proposed amendment is in response to stakeholder request and will conform WAC 296-128-530(1) to the Fair Labor Standards Act.

Other Federal and State Agencies that Regulate this Subject and the Process Coordinating the Rule with These Agencies: United States Department of Labor, Wages and Hours Division. The Department of Labor and Industries will consult United States Department of Labor through meetings and correspondence.

Process for Developing New Rule: The department will utilize meetings with all impacted stakeholders as it has throughout the long history of this issue. The department will conduct public hearings and receive written testimony to arrive at a balanced rule.

Interested parties can participate in the decision to adopt the new rule and formulation of the proposed rule before publication by contacting Greg Mowat, Program Manager, Employment Standards, phone (360) 902-5310, FAX (360) 902-5300, Department of Labor and Industries, P.O. Box 44510, Olympia, WA 98504-4510.

September 2, 1997

Gary Moore
Director



WSR 97-18-029
WITHDRAWAL OF PROPOSED RULES
DEPARTMENT OF
FISH AND WILDLIFE
 (Wildlife)

[Filed August 26, 1997, 12:40 p.m.]

The Department of Fish and Wildlife withdraws WSR 97-14-092 and 97-14-099.

Evan S. Jacoby
 Rules Coordinator

WSR 97-18-030
PROPOSED RULES
GAMBLING COMMISSION
 [Filed August 26, 1997, 1:30 p.m.]

Original Notice.

Preproposal statement of inquiry was filed as WSR 97-12-021 on July 14, 1997.

Title of Rule: House banked card games rules, WAC 230-04-110 and 230-04-120; new section WAC 230-40-900; and repealing WAC 230-40-999.

Purpose: These rules implement statutory changes authorizing the increase in the house banked card games; requires public card room licensees, who wish to operate under the more permissive purpose: Conditions (allowed by statutory changes) to participate in a pilot study; card room gambling equipment is added to the licensing requirements for manufacturers and distributors; amendment establishes fees for gambling services supplier representatives and class B public card room employees.

Statutory Authority for Adoption: RCW 9.46.070 (2), (4), (12), and (20).

Statute Being Implemented: RCW 9.46.0281.

Summary: See Purpose above.

Reasons Supporting Proposal: These rules implement statutory changes and establish fees.

Name of Agency Personnel Responsible for Drafting: Soojin Kim, Lacey, (360) 438-7654 ext. 310; Implementation: Frank Miller, Lacey, (360) 438-7654 ext. 302; and Enforcement: Ben Bishop, Lacey, (360) 438-7654 ext. 370.

Name of Proponent: Staff, in conjunction with representatives from charitable and nonprofit organizations, private.

Rule is not necessitated by federal law, federal or state court decision.

Explanation of Rule, its Purpose, and Anticipated Effects: See Purpose above.

Proposal Changes the Following Existing Rules: See Purpose above.

No small business economic impact statement has been prepared under chapter 19.85 RCW. Proposal is exempt under RCW 19.85.025(2), therefore, a small business economic impact statement is not required.

Section 201, chapter 403, Laws of 1995, does not apply to this rule adoption. This agency does not choose to make section 201, chapter 403, Laws of 1995, apply to this rule adoption.

Hearing Location: Icicle Inn/Best Western, 505 Highway 2, Leavenworth, WA 98226, (509) 548-8000, on October 10, 1997, at 10:00 a.m.

Assistance for Persons with Disabilities: Contact Susan Green by October 1, 1997, TDD (360) 438-7638, or (360) 438-7654 ext. 302.

Submit Written Comments to: Soojin Kim, Mailstop 42400, Olympia, Washington 98504-2400, FAX (360) 438-8652, by September 30, 1997.

Date of Intended Adoption: October 10, 1997.

August 26, 1997

Soojin Kim

Rules and Policy Coordinator

AMENDATORY SECTION (Amending WSR 95-12-052, filed 6/2/95, effective 7/3/95)

WAC 230-04-110 Licensing of manufacturers.

Except as authorized by WAC 230-04-115, a license must be obtained from the commission prior to manufacturing, selling, or supplying gambling equipment to any person(s) within this state, or for use within this state. The following definitions and requirements apply to certification and licensing of manufacturers:

(1) For ~~((the))~~ purposes of this title, "gambling equipment" includes at least the following devices:

(a) Punchboards and pull tabs;

(b) Devices for the dispensing of pull tabs;

(c) Bingo equipment, as defined by WAC 230-02-250; and

(d) Any gambling equipment, patented or otherwise restricted gaming schemes, or paraphernalia for use in connection with licensed ~~((fund-raising events))~~ gambling activities, recreational gaming activities, ~~((tribal gaming activities))~~ or class III tribal gaming activities, including table games, chips, cards, and dice.

(2) The applicant shall include upon the application form supplied by the commission, the following information, as well as all other information and materials required elsewhere in these rules:

(a) The full name and address of the applicant;

(b) The full name and address of each location where such devices are manufactured or stored;

(c) The name, home address, and share of ownership of all owners of the manufacturing business if the business is not a corporation. If the business is a corporation, the name, address, and share of ownership of the officers, the directors, and substantial interest holders;

(d) A full description of each separate type of gambling equipment or device that an applicant seeks to manufacture or to market in this state;

(e) The brand name under which each type of gambling device or equipment is sold;

(f) If the applicant is incorporated under laws other than the laws of Washington state, then the full name and business and home address of the resident agent designated by the applicant pursuant to WAC 230-12-300; and

(g) A list of all distributors receiving gambling equipment and all businesses or organizations located within the state of Washington in which the applicant has any financial interest and the details of that financial interest. For the purpose of this subsection, the term financial interest shall include all arrangements through which a person directly or indirectly receives any portion of the profits of the licensed manufacturer and indebtedness between the licensee and any

other person, other than a regulated financial institution, in excess of five thousand dollars.

(3) An applicant must demonstrate the ability to comply with all manufacturing, quality control, and operational restrictions imposed on authorized gambling equipment, patented or otherwise restricted gaming schemes, or equipment that it seeks to manufacture or market for use within the state of Washington. The licensing process shall include an on-site review of the applicant's manufacturing equipment and process for each separate type of authorized gambling device, equipment, or scheme to ensure capability to comply with all regulatory requirements of this title and state/tribal compacts;

(4) The following information shall be included as an attachment to the application form:

(a) A list of all affiliated businesses or corporations in which the applicant, officers, directors, or substantial interest holders of the applicant, either directly or indirectly, own or control:

- (i) As a sole proprietor; or
- (ii) As a partner; or
- (iii) More than fifty percent of the voting stock of a privately held or closed corporation; or
- (iv) At least five percent of the voting stock of a publicly traded corporation.

(b) A list of all businesses or corporations licensed to conduct gambling activities or to supply gambling-related equipment, supplies, or services in which the applicant, officers, directors, or substantial interest holders of the applicant have any interest;

(c) A list of all jurisdictions in which the applicant or any of the officers, directors, or substantial interest holders of the applicant have been licensed regarding gambling-related activities at any level during the preceding ten years;

(d) A statement regarding whether the applicant or officers, directors, or substantial interest holders have ever had a license for gambling-related activities denied, revoked, or suspended by any jurisdiction for a period longer than thirty days. All details of such must be provided as a part of the application; and

(e) A statement acknowledging that all records related to the ownership or operation of the business shall be made available for review at the time and place requested by commission staff. In addition to other records requested, the following shall be available:

- (i) Personal financial records of all substantial interest holders;
- (ii) All records related to the scope of activity, including sales of product, purchases of raw materials and parts, and any contracts, franchises, patent agreements, etc., related to sales or purchases; and
- (iii) Records related to any financial or management control of or by customers and suppliers.

(5) The applicant shall notify the commission within thirty days of any change in the information submitted on or with the application form; and

(6) The applicant shall comply with all applicable laws of the United States and the state of Washington and all applicable rules of this commission.

AMENDATORY SECTION (Amending WSR 96-09-071 and 96-11-126, filed 4/16/96 and 5/21/96, effective 7/1/96)

WAC 230-04-120 Licensing of distributors. Prior to selling, renting, or otherwise supplying gambling equipment, supplies, or related paraphernalia, including service of such, to any person within the state of Washington or for use within the state of Washington, a distributor shall first obtain a license from the commission. The following definitions and requirements apply to certification and licensing of distributors:

(1) For purposes of this title, a license is required to sell, rent, or otherwise provide to any person the following items and/or services:

- (a) Punchboards and pull tabs;
- (b) Devices for the dispensing of pull tabs;
- (c) Bingo equipment, as defined by WAC 230-02-250;
- (d) Any gambling equipment or paraphernalia for use in connection with licensed ~~((fund-raising events))~~ gambling activities, recreational gaming activities, or Class III gaming activities, including table games, chips, cards, and dice; and
- (e) Organizing and conducting recreational gaming activities on behalf of persons as defined by WAC 230-02-505.

(2) The applicant shall include upon the application form supplied by the commission, the following information, as well as all other information and materials required elsewhere in these rules:

- (a) The full name and address of the applicant;
- (b) The business name and address of each location operated by the distributor or where records or inventory will be located;
- (c) The name, home address, and share of ownership of all owners of the business if the business is not a corporation. If the business is a corporation, the name, address, and share of ownership of the officers, the directors, and substantial interest holders;
- (d) A full description of each separate type of gambling equipment or related supplies that the distributor intends to market in this state or for use in this state;
- (e) The brand name under which each type of gambling equipment will be sold;
- (f) If the applicant does not maintain a business office within the state or is incorporated in another state or county, then the full name and business and home address of the resident agent designated by the applicant pursuant to WAC 230-12-300; and

(g) A list of all manufacturers of gambling equipment and all businesses or organizations located in the state of Washington in which the applicant has any financial interest and the details of that financial interest. For the purposes of this subsection, the term financial interest shall include all arrangements through which a person directly or indirectly receives any portion of the profits of the licensed distributor and indebtedness between any other person and the applicant, other than a regulated financial institution, in excess of five thousand dollars.

(3) The following information shall be included as an attachment to the application form:

- (a) A list of all affiliated businesses or corporations in which the applicant, officers, directors, or substantial interest

holders of the applicant, either directly or indirectly, own or control:

- (i) As a sole proprietor; or
- (ii) As a partner; or
- (iii) More than fifty percent of the voting stock of a privately held or closed corporation; or
- (iv) At least five percent of the voting stock of a publicly traded corporation.

(b) A list of all businesses or corporations licensed to conduct business related to gambling activities in which the applicant, officers, directors, or substantial interest holders of the applicant have any interest;

(c) A list of all jurisdictions in which the applicant or any of the officers, directors, or substantial interest holders of the applicant have been licensed for gambling-related activities at any level during the preceding ten years;

(d) A statement regarding whether the applicant or officers, directors, or substantial interest holders of the applicant have ever had a license for gambling-related activities denied, revoked, or suspended by any jurisdiction for a period longer than thirty days. All details of such must be provided as a part of the application; and

(e) A statement acknowledging that all records related to the ownership or operation of the business shall be made available for review at the time and place requested by commission staff. In addition to other records requested, the following shall be available:

- (i) Personal financial records of all substantial interest holders;
- (ii) All records related to the scope of activity, including suppliers, customers, and any contracts related to sales or purchases; and
- (iii) Records related to any financial or management control of or by customers and suppliers.

(4) The applicant shall notify the commission within thirty days of any change in the information submitted on or with the application form; and

(5) The applicant shall comply with all applicable laws of the United States and the state of Washington and all applicable rules of this commission.

NEW SECTION

WAC 230-40-900 Public card room enhancement program—Pilot study. The 1996 and 1997 legislature enacted changes to the definition of a social card game, set forth in RCW 9.46.0281. The commission finds it to be in the public interest to continue and expand the pilot study enacted in 1996 to test and develop regulatory provisions implementing the recent legislative changes. The statutory changes authorized: An increase in the number of card tables from five to fifteen; player-supported progressive prize contests; the collection of fees through the rake and per hand methods; player funded banked card games; and house banked card games. In order to utilize the above referenced changes, a public card room licensee must participate in the study subject to the following terms and conditions:

(1) The study commenced July 1, 1996, shall continue and will conclude when permanent rules are adopted. The staff shall brief the commission on a monthly basis on the progress of the study and shall develop rules for formal

implementation by January 1, 1999, or such earlier or later date to be determined by the commission.

(2) The licensee must have been operating a class "E-1" through "E-5" card room for at least six months before implementing test scope of activities; and a tribal operation must have been operating at class 2 or class 3 level for at least six months before implementing test scope of activities: *Provided*, That the director can waive the six-month requirement in this section based on demonstrable experience.

(3) Each agreement, along with a satisfactory preoperation inspection report shall be submitted to the commission for a review and approval prior to commencing operations.

(4) If the agreement is approved by the commission, the terms and conditions of the agreement shall be binding on the licensee.

(5) The licensee shall pay an annual preliminary nonrefundable license fee deposit required to participate in the study. The amount of the deposit shall be based on the commission's cost to conduct the study. During the study, participants may be assessed additional amounts to cover the costs incurred by the commission. As part of the application to participate in the study, the licensee shall make the following deposits:

(a) The deposit for an increased number of tables shall be those set forth in WAC 230-04-203 (three thousand three hundred thirty dollars), plus:

(i) Six through ten tables: One thousand two hundred dollars per table; or

(ii) Eleven through fifteen tables: Six thousand dollars, plus one thousand five hundred dollars per table;

(b) The deposit for player-supported progressive prize contests shall be one thousand twenty dollars plus:

(i) One through three prize contest: Two hundred forty dollars per contest; or

(ii) Greater than three contests: Seven hundred twenty dollars plus one hundred twenty dollars per contest;

(c) The deposit to study fee collection methods other than fees based on a period of time shall be one thousand twenty dollars plus:

(i) One through five tables: One hundred twenty dollars per table;

(ii) Six through ten tables: Six hundred dollars plus two hundred forty dollars per table; or

(iii) Greater than ten tables: One thousand eight hundred dollars plus three hundred sixty dollars per table;

(d) The deposit for studying player banked and house banked card games shall be equal to the amount set forth in (a) of this subsection plus five thousand dollars;

(e) In addition to the deposit set forth above, the licensee shall be responsible for all costs incurred by the commission involving investigations for violations of the agreement and/or any complaints by players resulting in investigations of the agreement.

(6) In the event a licensee violates the terms of its agreement or fails to pay additional assessments within seven days of billing, the director shall have the authority to remove that licensee from participation in the study. Upon removal from the study, the licensee will return to its prestudy scope of activities.

(7) The director's decision to remove a licensee from participation shall be subject to review by the commission at

the next regularly scheduled commission meeting. The decision of the commission shall be final and not be subject to further review.

REPEALER

The following section of the Washington Administrative Code is repealed:

WAC 230-40-999 Public card room enhancement program—Pilot study and test.

WSR 97-18-031
PROPOSED RULES
GAMBLING COMMISSION

[Filed August 26, 1997, 1:32 p.m.]

Original Notice.

Preproposal statement of inquiry was filed as WSR 97-15-052 on July 14, 1997.

Title of Rule: Gambling services supplier rules, WAC 230-02-205, 230-02-206, 230-04-119, 230-04-124, 230-04-125, 230-08-025, 230-12-223, 230-12-225 and 230-12-300; and repealing WAC 230-12-220 and 230-30-220.

Purpose: These rules define gambling services suppliers and gambling services supplier representatives for licensing and regulation purposes; clarifies licensing requirements; establishes record-keeping requirements; adds gambling service suppliers to prohibitions against conditioning repair or service upon exclusive arrangements; and adds resident agent requirement.

Statutory Authority for Adoption: RCW 9.46.070 (4), (14), and (20).

Summary: See Purpose above.

Reasons Supporting Proposal: Activities of gambling services suppliers and representatives need to be regulated; cost of regulation needs to be recouped through license fees.

Name of Agency Personnel Responsible for Drafting: Soojin Kim, Lacey, (360) 438-7654 ext. 310; Implementation: Frank Miller, Lacey, (360) 438-7654 ext. 302; and Enforcement: Ben Bishop, Lacey, (360) 438-7654 ext. 370.

Name of Proponent: Staff, private.

Rule is not necessitated by federal law, federal or state court decision.

Explanation of Rule, its Purpose, and Anticipated Effects: See Purpose above.

Proposal Changes the Following Existing Rules: See Purpose above.

No small business economic impact statement has been prepared under chapter 19.85 RCW. Proposal is exempt under RCW 19.85.025(2), therefore, a small business economic impact statement is not required.

Section 201, chapter 403, Laws of 1995, does not apply to this rule adoption. This agency does not choose to make section 201, chapter 403, Laws of 1995, apply to this rule adoption.

Hearing Location: Icicle Inn/Best Western, 505 Highway 2, Leavenworth, WA 98826, (509) 548-8000, on October 10, 1997, at 10:00 a.m.

Assistance for Persons with Disabilities: Contact Susan Green by October 1, 1997, TDD (360) 438-7638, or (360) 438-7654 ext. 302.

Submit Written Comments to: Soojin Kim, Mailstop 42400, Olympia, Washington 98504-2400, FAX (360) 438-8652, by September 30, 1997.

Date of Intended Adoption: October 10, 1997.

August 26, 1997

Soojin Kim

Rules and Policy Coordinator

NEW SECTION

WAC 230-02-205 Gambling services supplier defined. A "gambling services supplier" is any person who provides gambling related services for compensation, whether direct or indirect, to any licensed operator or Class III tribal gaming facility, and who is not an employee of the operator receiving such services.

(1) Gambling related services include at least the following:

(a) Providing consulting or advisory services regarding gambling activities;

(b) Providing gambling related management services;

(c) Providing storage, counting services, and/or specialized recordkeeping services for the gambling activity (except general recordkeeping services provided by a professional accountant); or

(d) Providing any other service or activity where influence may be exerted over any gambling activity licensed by the commission.

(2) The term "gambling services supplier" does not include licensed manufacturers or distributors who service and repair pull tab dispensing devices, bingo equipment or any other authorized gambling equipment.

(3) The term "gambling services supplier" does not include general legal or accounting services unrelated to the management or operation of gambling activities.

NEW SECTION

WAC 230-02-206 Gambling services supplier representative defined. A "gambling services supplier representative" is any natural person who represents a gambling services supplier and who is directly involved in providing a service listed in WAC 230-02-205(1).

NEW SECTION

WAC 230-04-119 Licensing of gambling services suppliers. Prior to providing any type of gambling related service to any licensed operator or Class III tribal gaming facility, a gambling services supplier shall first obtain a license or certification from the commission. The following requirements and restrictions apply to certification and licensing of gambling services suppliers:

(1) For purposes of this title, a license is required to provide any service related to licensed gambling activities as defined in WAC 230-02-205.

(2) The applicant shall include upon the application form supplied by the commission, sufficient information to determine the types of services provided, personal and financial information to determine applicant identity and qualifications, as well as all other information and materials required elsewhere in these rules.

(3) The applicant shall notify the commission within thirty days of any change in the information submitted on or with the application form.

(4) The applicant shall comply with all applicable laws of the United States and the state of Washington and all applicable rules of the commission.

(5) A gambling services supplier shall not also be licensed as a manufacturer, distributor or representative of gambling equipment or paraphernalia.

(6) A gambling services supplier shall not purchase or deliver gambling equipment and/or paraphernalia for an operator.

(7) In no circumstance may a gambling services supplier assume ultimate responsibility for an operator's gambling activity.

(8) Fees for the purposes of this section shall be as follows:

Gambling Services Supplier

Class A Storage, counting, and/or specialized recordkeeping services only - \$553

Class B* Other services as defined in WAC 230-02-205 - \$2000

* In addition to the annual fee, the commission will assess all applicants the following:

One hundred twenty-five dollars for each contract related to gambling services provided; and
The actual costs incurred in conducting the investigation and inspection necessary for initial certification.

AMENDATORY SECTION (Amending Order 227, filed 9/18/91, effective 10/19/91)

WAC 230-04-124 Licensing of manufacturer(~~s~~ and), distributor(~~s~~) and gambling services supplier representatives. ~~((4))~~ Prior to selling or supplying to any person gambling equipment (~~or gambling~~), paraphernalia or related services for use in connection with licensed gambling activities, a representative or agent of a licensed manufacturer (~~or~~), distributor, or gambling services supplier shall first obtain a license from the commission. The following definitions and restrictions apply:

~~((2))~~ (1) A sole owner, partner, major officer and/or owner of a substantial interest in (~~a corporation~~) an entity licensed as a manufacturer or distributor shall not be required to be additionally licensed as a representative to engage in the selling or supplying of the manufacturer's (~~or~~), distributor's, or gambling services supplier's products or services. Office, clerical or warehouse personnel (~~employed by the manufacturer or distributor~~) who have contact with the public and potential customers occasionally and only by telephone or at the manufacturer's (~~or~~), distributor's, or gambling service supplier's own premises when working under the immediate and direct supervision of the owner, a partner, or major officer of a corporation, shall also be exempt from this licensing requirement. A manager or supervisor who is not a sole owner, partner or a major officer or owner of a substantial interest (~~in a licensed manufacturer or distributor~~) and whose duties and responsibilities include the supervision of selling, supplying and/or the promotion of (~~the manufacturer's or distributor's~~)

products or services shall be licensed as required by this rule prior to performing such functions. A manufacturer (~~or~~), distributor, or gambling services supplier shall not allow an unlicensed person to represent them in such transactions and shall take all measures necessary to prevent an unlicensed person from doing so.

~~((3))~~ (2) On or before the first day he or she actually performs work as a representative, a person shall submit a complete application for a license to the commission. The application shall not be deemed complete until all questions on the application form and attachments are fully and truthfully answered and the form, with all attachments and the required fee, as set forth in WAC 230-04-204, has been delivered to the commission office during regular business hours (or actually deposited in the United States mail properly addressed to the commission): Provided, That the fee for a gambling services supplier representative is the same as for a distributor representative.

~~((4))~~ (3) The manufacturer (~~or~~), distributor, or gambling services supplier for which the representative will work shall sign the application of each such representative acknowledging that the applicant will be representing them with their full knowledge and consent.

~~((5))~~ (4) In addition to the above requirements, an applicant applying for a license as a distributor(~~s~~) or gambling services supplier representative shall:

(a) Complete a training course provided by the commission within 30 days after the first day worked; and

(b) Represent only one licensed distributor or gambling services supplier at a time and shall not represent a manufacturer: Provided, That this rule shall not bar the distributor's representative from representing his own distributor who is also licensed as a manufacturer.

AMENDATORY SECTION (Amending Order 262, filed 12/5/94, effective 1/5/95)

WAC 230-04-125 Distributor(~~s~~) or gambling services supplier representative license (~~may be reissued when changing distributors~~)—Restrictions and procedures for changing employment. All licensed distributor or gambling services supplier representatives shall abide by the following restrictions and procedures when changing employers:

What happens if I leave the employment of the distributor or gambling services supplier I represent?

(1) In the event that a licensed distributor(~~s~~) or gambling services supplier representative ceases to represent the distributor under which a license was granted(~~s~~) for any reason, the representative shall immediately notify the commission. Upon termination of employment the license shall (~~be automatically suspended~~) immediately become void and shall be returned to the commission(~~—Provided, That a person may apply to have the remaining term of a license represent a different distributor. The fee for this transfer shall be as required by WAC 230-04-204. The distributor which the distributor's representative seeks to represent shall sign the application for transfer acknowledging that the applicant for transfer will be representing the distributor with the distributor's knowledge and consent~~).

What steps must I complete prior to beginning employment to represent another distributor or gambling services supplier?

(2) Prior to beginning employment to represent any other distributor or gambling services supplier, a previously licensed distributor or gambling services supplier representative shall submit a new application. The application shall include a statement that the previous employer has been notified of the change in employment and shall be signed by the distributor or gambling services supplier wishing to employ the distributor or gambling services supplier representative.

(3) A previously licensed distributor or gambling services supplier representative shall not represent a new employer prior to receiving a license from the commission. Prior to granting a license to a previously licensed individual, the commission may conduct an investigation to determine the continued qualification of the individual. Such investigation may include inquiries to the previous employer.

What is the fee for obtaining a license to represent another distributor or gambling services supplier?

(4) The fee for a license to represent a different distributor or gambling services supplier shall be the same as a license renewal, as set forth in WAC 230-04-204. The expiration date for such license shall be as set forth in WAC 230-04-190.

AMENDATORY SECTION (Amending Order 305, filed 11/21/96, effective 1/1/97)

WAC 230-08-025 Accounting records to be maintained by distributors ~~((and)), manufacturers, and gambling services suppliers.~~ Every licensed distributor ~~((and)), manufacturer, and gambling services supplier~~ shall keep and maintain a complete set of records which include all details of all activities of the licensee related to the conduct of the licensed activity.

What system of accounting must I use and how long must I keep my records?

(1) ~~((These) ~~(The required))~~) These records shall be recorded using the double entry accounting system and maintained in accordance with generally accepted accounting principles. This system shall ~~((also be on the same basis as))~~ be capable of being reconciled to the licensee's federal income tax return. All records shall be maintained for a period of not less than three years following the end of the licensee's fiscal year. These records shall be updated at least once a month and provide a monthly balance for each account.~~

What are the minimum requirements that must be included in a record system?

~~((The minimum record system shall include the following:))~~

(2) Sales invoices - every manufacturer ~~((and)), distributor, and gambling services supplier~~ shall record every sale of equipment or services, any return or refund, or any other type of transfer of punchboards/pull tabs, pull tab dispensing devices or bingo equipment including cards, by completing a standard sales invoice or credit memo. Distributors shall

use an invoice in a format prescribed and approved by the commission that includes a separate line for each identification and inspection services stamp number. This invoice shall provide space for the operator to either attach a records entry label or enter the identification and inspection services stamp number and the date the device was placed out for play. These spaces shall be adjacent to the written entry of the identification and inspection services stamp number made by the distributor. These invoices shall set out the following information:

(a) Each invoice must be prenumbered at the time of purchase. The numbering must be consecutive, using not less than four digits: *Provided*, That ~~((manufacturers and distributors may use))~~ a computer generated numbering system may be utilized if the same system is used for all sales and specific numbers can not be input by use of a manual override function;

(b) The date of sale. For distributors only: If the date of delivery is different, then the delivery date must also be entered;

(c) The customer's name and an adequate business address;

(d) A full description of each item sold or service provided, including the identification and inspection services stamp number for each item, if attached, and all information required by WAC 230-08-040;

(e) The quantity and sales price of each individual item, including individual items of merchandise to be used as prizes on punchboards and pull tabs;

(f) The gross amount of each sale to each customer including all discount terms and the total dollar amount of any discount;

(g) The sales invoice shall be prepared in at least three parts ~~((: *Provided*, That invoices for sales to operators shall be prepared in at least four parts))~~. Invoices shall be distributed and maintained as follows:

(i) The original shall be issued to the customer ~~((: *Provided*, That an additional copy of distributor invoices shall be provided to the operator))~~;

(ii) One shall be retained in an invoice file by customer name; and

(iii) One shall be retained in an invoice file by invoice number or in an alternative manner that accounts for each invoice numerically. This provision may be waived if the licensee receives written commission approval.

(h) Information documenting the sales of progressive jackpot pull tabs must be separately tracked, invoiced, and maintained in its own filing system. *Provided*, that a computerized system, which is capable of separately tracking this information and providing immediate output of the data, is sufficient for this requirement.

(i) Credit memos for returned items shall be prepared in the same detail as (a) through (g) of this subsection.

(3) Sales journal - the sales journal shall contain at least, but not be limited to, the following by month:

(a) The date of the sale;

(b) The invoice number of the sale;

(c) The customer name or person remitting a payment;

(d) Sales shall be categorized at least by the following as applicable:

(i) Punchboards that pay out cash prizes;

(ii) Punchboards that pay out merchandise prizes;

- (iii) Pull tabs that pay out cash prizes;
- (iv) Pull tabs that pay out merchandise prizes;
- (v) Pull tab dispensing devices;
- (vi) Merchandise that is intended for use as a prize on a punchboard or pull tab series;
- (vii) Bingo equipment;
- (viii) Other types of sales directly related to gambling activities, including but not limited to, equipment leases (~~(; equipment)~~) or sales, (~~(and)~~) supplies, and gambling related services; and
- (ix) Sales and leases of general purpose equipment and supplies indirectly related to gambling activities, including cash registers, scales, tables, chairs, glue sticks, souvenirs, etc.

(e) Total amount of the invoice.

(4) Cash disbursements book (check register) - this record shall include a recording of all checks issued by the licensee, cash payments made by the licensee, or payments made by any other means. All expenses by the licensee, both gambling and nongambling related, shall be documented by invoices or other appropriate supporting documents. Entries to this record shall contain at least, but not limited to, the following information by month:

- (a) The date the check was issued or payment made;
- (b) The number of the check issued;
- (c) The name of the payee; and
- (d) Each disbursement shall be categorized by type of expense.

(5) Cash receipts - all cash receipts shall be recorded in an original book of entry whether it be a sales journal, a check register, or a separate cash receipts journal, and at a minimum shall include a recording of not only cash sales, but also cash received from all sources, and shall contain at least, but not limited to, the following by month:

- (a) The date the payment was received;
- (b) The name of the person remitting the payment;
- (c) The amount of payment received.

(6) General ledger - each licensee whose gambling related sales exceed \$500,000 per year, shall have a general ledger which shall contain, in addition to all other accounts by month, a separate sales account for each type of sale;

(7) Bank reconciliation - a bank reconciliation shall be performed each month (~~(—In addition, all funds that have not been deposited at year end shall be reconciled in an account titled "cash on hand")~~);

(8) Copies of all financial data which support tax reports to any and all governmental agencies;

(9) Copies of all agreements entered into regarding sales or leasing of gambling related services, gambling equipment or paraphernalia. These agreements shall fully disclose all terms and conditions;

(10) Manufacturer shall maintain records that provide an accountability trail for all identification and inspection services stamps purchased. These records shall include enough details to allow audit of all used, unused, and damaged stamps and includes the following minimum items:

- (a) The name of the purchaser;
- (b) The date of the sale; and
- (c) The invoice number recording the sale.

~~((10))~~ (11) An alternative format may be used for subsections (2)(a), (2)(g)(ii), (2)(g)(iii), (2)(h), (3), and (4),

of this section upon advance written approval from the commission.

NEW SECTION

WAC 230-12-223 Prohibited practices—Leases and compensation. (1) No person, association, or organization shall operate or conduct any gambling activity authorized on or within any leased premises if rental under such lease is to be paid wholly or partly on the basis of a percentage of the receipts or net profits derived from the operation of such gambling activity. Nor shall the rental under such lease exceed the usual rental for such premises in the same locality: *Provided*, That amusement games conducted as a part of, and upon the site of, a regional shopping center are exempted from the percentage of receipts or profits restriction of this section and RCW 9.46.120(2).

(2) No charitable or nonprofit organization shall enter into an agreement where the compensation to any person taking part in the management or operation of such activity is based upon a percentage of the receipts or income derived from the operation of such game. The payment to such persons of compensation which is other than reasonable under the local prevailing wage scale for employment of a comparable nature shall create a presumption of a violation of this section.

AMENDATORY SECTION (Amending Order 80, filed 12/28/77)

WAC 230-12-225 Repair or service not to be conditioned upon exclusive supply arrangement. No licensed manufacturer (~~(or)~~)₁ distributor, or gambling services supplier shall condition repair or service of any device or product upon an agreement by any person to purchase or obtain products or services solely from such manufacturer (~~(or)~~)₁ distributor, or gambling services supplier or solely from any other person or combination of persons: *Provided*, That routine maintenance agreements shall not be considered a violation of this section.

AMENDATORY SECTION (Amending Order 228, filed 10/15/91, effective 11/15/91)

WAC 230-12-300 Resident agent to be appointed by foreign manufacturers, distributors, gambling services suppliers, and commercial amusement game operators. (1) All manufacturers, distributors, gambling services suppliers, or class B or above commercial amusement game operators engaged in the following activities within this state, or for use in this state, that do not own or otherwise maintain a business office or licensed premises within this state shall appoint a resident agent for the purpose of receipt and acceptance of service of process and other communications on their behalf from the commission:

- (a) Manufacturing, selling or distributing gambling supplies or equipment; and
- (b) Selling or providing gambling related services; and
- (c) Renting or leasing of commercial amusement games and equipment.

(2) The resident agent shall be a natural person who is a resident and living in the state of Washington and who is eighteen years of age or older.

(3) The name and business address where service of process and delivery of mail can be made, and home address of such designated resident agent shall be filed with the commission and with any other state agency required by law.

REPEALER

The following section of the Washington Administrative Code is repealed:

WAC 230-12-220 Agreement requiring payment by licensee based upon percentage of receipts from authorized activity—Prohibited.

REPEALER

The following section of the Washington Administrative Code is repealed:

WAC 230-30-220 Interest in separate business involving punchboards and pull tabs at a different marketing level prohibited.

**WSR 97-18-032
PROPOSED RULES
DEPARTMENT OF LICENSING**

[Filed August 26, 1997, 3:10 p.m.]

Continuance of WSR 97-15-101.

Preproposal statement of inquiry was filed as WSR 97-11-059.

Title of Rule: WAC 308-125-120 Fees and charges.

Purpose: To increase fees.

Statutory Authority for Adoption: RCW 43.24.086.

Statute Being Implemented: RCW 18.140.050.

Summary: To increase fees identified as WAC 308-125-120 (1), (4), (5), (6), (7), (9), and (10).

Name of Agency Personnel Responsible for Drafting, Implementation and Enforcement: Cleotis Borner, Jr., Olympia, (360) 753-1062.

Name of Proponent: Department of Licensing, Real Estate Appraiser Program, governmental.

Rule is not necessitated by federal law, federal or state court decision.

Hearing Location: Department of Licensing, 405 Black Lake Boulevard, Building #2, Conference Room, Olympia, WA, on October 7, 1997, at 9:00 a.m.

Assistance for Persons with Disabilities: Contact Ralph Birkedahl by September 30, 1997, TDD (360) 753-1966, or (360) 753-1062.

Submit Written Comments to: Cleotis Borner, Jr., Real Estate Appraiser Program, P.O. Box 9015, Olympia, WA 98507-9015, FAX (360) 586-0998, by October 6, 1997.

Date of Intended Adoption: October 14, 1997.

August 29, 1997
Cleotis Borner, Jr.
Program Manager

**WSR 97-18-058
PROPOSED RULES
DEPARTMENT OF
SOCIAL AND HEALTH SERVICES**
(Economic Services Administration)
(Public Assistance)

[Filed August 29, 1997, 4:42 p.m.]

Original Notice.

Exempt from preproposal statement of inquiry under RCW 34.05.310(4).

Title of Rule: WAC 388-49-310 Citizenship and alien status.

Purpose: Expands eligibility for the food stamp program to Amerasian and Cuban-Haitian entrants for five years after the date of granting status. Allows Amerasian and Cuban-Haitian entrant eligibility based on active military or veteran status.

Statutory Authority for Adoption: RCW 74.04.050, 74.04.510.

Statute Being Implemented: RCW 74.04.510 and Public Law 104-193 (Personal Responsibility and Work Opportunity Reconciliation Act of 1996) as amended by Sections 5302 and 5306 of the Balanced Budget Act of 1997.

Summary: Amerasian and Cuban-Haitian entrants can now be eligible for the food stamp program if they are active-duty military or veterans, or if five years have not passed since the date their status was granted.

Reasons Supporting Proposal: The Balanced Budget Act of 1997 requires implementation of this proposal.

Name of Agency Personnel Responsible for Drafting, Implementation and Enforcement: Joan Wirth, Division of Assistance Programs, (360) 413-3073.

Name of Proponent: Joan Wirth, Division of Assistance Programs, Department of Social and Health Services, governmental.

Rule is necessary because of federal law, HR 2015, Sections 5302 and 5306.

Explanation of Rule, its Purpose, and Anticipated Effects: Allows Amerasian and Cuban-Haitian entrants to be eligible for the food stamp program for five years from the date of the granting of their status. Also allows eligibility for Amerasian or Cuban-Haitian entrants who are veterans or active military persons. Will not impact workload in community services office (CSO).

Proposal Changes the Following Existing Rules: See above.

No small business economic impact statement has been prepared under chapter 19.85 RCW. Does not apply to this rule.

RCW 34.05.328 does not apply to this rule adoption. This rule is exempt from RCW 34.05.328 (5)(b)(vii).

Hearing Location: Lacey Government Center (behind Tokyo Bento restaurant), 1009 College Street S.E., Room 104-B, Lacey, WA 98503, on October 7, 1997, at 10:00 a.m.

Assistance for Persons with Disabilities: Contact Leslie Baldwin by September 24, 1997, (360) 902-7540, TTY (360) 902-8324, e-mail lbaldwin@dshs.wa.gov.

Submit Written Comments to and Identify WAC Numbers: Leslie Baldwin, Rules Coordinator, Rules and Policies Assistance Unit, P.O. Box 45850, Olympia, WA 98504-5850, FAX (360) 902-8292, by October 7, 1997.

Date of Intended Adoption: No sooner than October 8, 1997.

August 28, 1997
Merry A. Kogut, Manager
Rules and Policies Assistance Unit

AMENDATORY SECTION (Amending WSR 97-12-025, filed 5/29/97, effective 6/29/97)

WAC 388-49-310 Citizenship and alien status. (1) ~~((The department shall require))~~ Applicants ~~((to))~~ must sign ~~((the))~~ an application attesting to their citizenship or alien status as described under WAC 388-49-030(6).

(2) ~~((The department shall consider))~~ Applicants and current recipients as of ~~((January 1, 1997 and current recipients after April 1, 1997, but no later than))~~ August 22, 1997, who fail to meet the requirements of subsections (1) and (3) of this section ~~((as))~~ shall be considered ineligible household members under WAC 388-49-190(4), 388-49-420(5), and 388-49-480(2).

(3) ~~((The department shall consider the following persons residing in the United States eligible for participation))~~ Household members in the food stamp program must be one of the following:

(a) A United States citizen or United States national;

(b) An alien lawfully admitted for permanent residence under the Immigration and Nationality Act who has worked or can be credited with forty qualifying quarters of coverage as defined under Title II of the Social Security Act ~~((or can be credited with such qualifying quarters))~~.

(i) An alien can be credited for each qualifying quarter worked by a:

(A) Parent while the alien was under age eighteen, or

(B) Spouse during their marriage if the alien remains married to the spouse or the spouse is deceased.

(ii) Beginning January 1, 1997, any quarter in which the alien received any federal means-tested public benefit is not counted as a qualifying quarter.

(iii) The department ~~((shall accept a statement under penalty of perjury signed by the applicant or recipient that he or she has earned or can be credited with forty))~~ will confirm qualifying quarters ~~((of coverage, until))~~ with the Social Security Administration (SSA) ((either confirms or denies the existence of such forty qualifying quarters of coverage,)) when:

(A) The applicant or recipient cannot provide SSA documents verifying forty qualifying quarters of coverage; and

(B) The applicant or recipient, alone or in combination with the person's spouse, or the person's parent have lived in the United States ten years or a ((sufficient)) number of years consistent with the applicant or recipient having earned or being credited with forty qualifying quarters; and

(C) The applicant or recipient provides the full name, date of birth, social security number, and sex of each person whose work history is relevant to the determination of eligibility. The applicant or recipient must sign or have each individual sign a consent form to give permission to SSA to release qualifying quarters information to the department.

(iv) If SSA cannot ~~((initially))~~ confirm forty qualifying quarters of coverage, the client will be considered ineligible unless the applicant or recipient~~((~~

~~((A) Presents to the department a SSA document indicating a SSA review is in process; or~~

~~((B))~~ presents evidence or statements satisfactory to the department of qualifying quarters ~~((for the calendar years 1996 and 1997))~~ such that the individual will establish, in addition to SSA information, a total of forty qualifying quarters.

~~((v) The individual, who provides the department with a SSA document indicating a review of the individual's records is in process, can continue, if otherwise eligible, to receive benefits for six months from the date of SSA's initial response or until SSA has completed its review, whichever is earlier.~~

~~((vi) If, after recipient completes the SSA verification and review process, forty qualifying quarters of coverage have not been established, the recipient may present evidence to the department to establish forty qualifying quarters. Evidence may include a credible statement from the individual in addition to corroborating evidence, if available, to assist the department in making an independent assessment of the forty qualifying quarters requirement.~~

~~((vii) If forty qualifying quarters of coverage cannot be established, the department shall establish a claim for the overissuance.))~~

(c) A qualified alien, as defined under section 431 of the Personal Responsibility and Work Opportunity Reconciliation Act of 1996, and the qualified alien spouse or unmarried dependent qualified alien child of the alien, lawfully residing in the United States, who is:

(i) A veteran, as defined in section 101, 1101 or 1301, or as described in section 107 of Title 38, United States Code, with a discharge characterized as an honorable discharge and not on account of alienage; or

(ii) On active duty, other than active duty for training, in the Armed Forces of the United States.

(d) An alien admitted to the United States as a refugee under section 207 of the Immigration and Nationality Act until five years after the date of such admission as a refugee;

(e) An alien granted asylum under section 208 of the Immigration and Nationality Act until five years after the date of granting such status; ~~((or))~~

(f) An alien living in the United States whose deportation is withheld under section 243(h) of the Immigration and Nationality Act until five years after the date such deportation is withheld;

(g) An alien granted status as a Cuban and Haitian entrant, as defined in section 501(e) of the Refugee Education Act of 1980, until five years after the date of granting such status; or

(h) An alien admitted to the United States as an Amerasian immigrant, as described in section 402(a)(2)(A) of the Personal Responsibility and Work Opportunity Reconciliation Act of 1996, until five years after the date of granting such status.

(4) The household shall provide verification when:

(a) Citizenship is questionable; or

(b) One or more of its members are aliens.

~~((i) The department shall not contact the immigration and naturalization service to obtain information without the alien's written consent.~~

~~((ii) The department shall give the household failing to provide verification the option of:~~

~~(A) Withdrawing the application; or
(B) Participating without the alien member.)~~

(5) The department shall accept a statement under a penalty of perjury signed by a United States citizen that the applicant is a United States citizen when:

(a) The applicant cannot produce acceptable citizenship verification; and

(b) The household can reasonably explain why the verification is not available.

(6) An applicant shall be ineligible until:

(a) Questionable citizenship is verified; or

(b) Lawful alien status is verified.

~~((6)) The department shall accept a statement under a penalty of perjury signed by a United States citizen that the applicant is a United States citizen when:~~

~~(a) The applicant cannot produce acceptable citizenship verification; and~~

~~(b) The household can reasonably explain why the verification is not available.)~~

(7) A household failing to provide verification shall have the option of:

(a) Withdrawing the application; or

(b) Participating without the alien member.

(8) The department shall notify immigration and naturalization services when any household member is ineligible because that person is present in the United States in violation of a known deportation order of the Immigration and Nationality Act.

~~((8))~~ (9) Lawfully admitted aliens who are ineligible include:

(a) Alien visitors;

(b) Tourists;

(c) Diplomats;

(d) Students with temporary status; and

(e) Aliens not identified in subsection (3) of this section as eligible for participation in the food stamp program.

WSR 97-18-064

PROPOSED RULES

UNIVERSITY OF WASHINGTON

[Filed September 2, 1997, 11:40 a.m.]

Original Notice.

Preproposal statement of inquiry was filed as WSR 97-10-077.

Title of Rule: Chapter 478-136 WAC, Use of University of Washington facilities.

Purpose: These rules exist to ensure that all facilities operated by the University of Washington are reserved primarily for educational use or recreational activities related to it. University facilities may be used for other activities, as long as the primary function the facility was intended to serve is protected.

Statutory Authority for Adoption: RCW 28B.20.130.

Statute Being Implemented: RCW 28B.20.130.

Summary: The proposed changes to these rules establish policies that regulate the use of facilities by nonuniversity individuals and organizations and by university units when members of the general public are invited to use facilities.

Reasons Supporting Proposal: Chapter 478-136 WAC was last amended in 1991. The rule changes proposed herein are intended to bring the university's rules into conformance with current practice and to reflect current university policy.

Name of Agency Personnel Responsible for Drafting and Implementation: Norman G. Arkans, Associate Vice-President and Executive Director of University Relations, 400 Gerberding Hall, University of Washington, (206) 543-2560; and Enforcement: Roger Serra, Chief, University Police, 1117 N.E. Boat Street, University of Washington, (206) 543-9331.

Name of Proponent: University of Washington, governmental.

Rule is not necessitated by federal law, federal or state court decision.

Explanation of Rule, its Purpose, and Anticipated Effects: The proposed rule changes provide new rules for the use of facilities under certain circumstances, including additional regulation of smoking on campus and the use of the university facilities for camping, as well as other necessary rule changes. Effects include prohibiting camping under most circumstances and improving the health and safety of the campus by restricting smoking in outdoor areas adjacent to building entrances and air intakes.

Proposal Changes the Following Existing Rules: The following sections of the Washington Administrative Code are amended: WAC 478-136-010, 478-136-012, 478-136-015, 478-136-025, 478-136-030, and 478-136-060. The following section of the Washington Administrative Code is repealed: WAC 478-136-040.

No small business economic impact statement has been prepared under chapter 19.85 RCW. Chapter 478-136 WAC is not subject to the Regulatory Fairness Act, chapter 19.85 RCW.

RCW 34.05.328 does not apply to this rule adoption. Chapter 478-136 WAC is not subject to RCW 34.05.328 and is not considered a significant legislative rule.

Hearing Location: Room 209A of the Husky Union Building (HUB), University of Washington, Seattle, Washington, on October 23, 1997, at 10:00 a.m.

Assistance for Persons with Disabilities: Contact UW Disability Services Office by October 9, 1997, TDD (206) 543-6452, or (206) 543-6450.

Submit Written Comments to: Rebecca Goodwin Deardorff, Administrative Procedures Officer, Administrative Procedures Office via one of the following: Campus mail: Box 355509; United States mail: University of Washington, 4014 University Way N.E., Seattle, WA 98105-6203; e-mail adminpro@u.washington.edu; or FAX (206) 543-0786, by October 23, 1997.

Date of Intended Adoption: November 21, 1997.

August 28, 1997

Rebecca Goodwin Deardorff
Administrative Procedures Officer

AMENDATORY SECTION (Amending Order 82-2, filed 7/22/82, effective 10/1/82)

WAC 478-136-010 Use of university facilities—General policy. The University of Washington is an educational institution provided and maintained by the people of

the state in order to carry out its broad mission of teaching, research and public service. The purpose of this policy is to ~~((assure))~~ ensure that all facilities operated by the university are reserved primarily for educational ~~((cultural or))~~ use including, but not limited to, instruction, research, public assembly, student activities and recreational activities related to ((that mission)) educational use. Further, ~~((the use of))~~ each facility may be ~~((maximized))~~ used for a variety of activities, so long as the ((basic)) primary function the facility was intended to serve is protected ((e.g., instruction, research, public assembly, student activities, recreation, etc.)). Reasonable time, place and manner restrictions may be placed on the use of university facilities.

AMENDATORY SECTION (Amending Order 82-2, filed 7/22/82, effective 10/1/82)

WAC 478-136-012 Definitions. (1) "Facilities" includes all structures, grounds, parking lots, waterfront, and airspace owned or operated by the University of Washington. Specific rules also apply to parking lots, bicycle and skateboard use (chapter 478-116 WAC), boat moorage facilities (chapter 478-138 WAC and *University Handbook*, Volume IV, Part VII, Chapter 3, Section 2), residence halls (chapter 478-156 WAC and *University Handbook*, Volume IV, Part VI, Chapter 1, Section 2), airspace use (*University Handbook*, Volume IV, Part VII, Chapter 3, Section 5), scoreboard postings (*University Handbook*, Volume IV, Part VI, Chapter 1, Section 4), solicitation and commercial sales (*University Handbook*, Volume IV, Part VI, Chapter 1), nonuniversity speakers on campus (*University Handbook*, Volume IV, Part VII, Chapter 3, Section 4), smoking (*University Handbook*, Volume IV, Part VII, Chapter 6), and use of facilities by the Associated Students University of Washington (ASUW), Graduate and Professional Student Senate (GPSS), and other affected organizations (*University Handbook*, Volume III, Part III, Chapter 5).

(2) "Use of facilities" includes, but is not limited to: The holding of events, the posting and removal of signs, all forms of advertising, commercial activities, and charitable solicitation.

(3) "Approved event" means a use of university facilities which ~~((is sponsored by))~~ has received preliminary approval from an academic or administrative unit and which has ((been determined to be appropriate by)) received final approval from the committee on the use of university facilities.

AMENDATORY SECTION (Amending Order 86-2, filed 7/16/86)

WAC 478-136-015 Administrative responsibilities.

(1) The board of regents ~~((delegates))~~ has delegated to the president of the university the authority to regulate the use of university facilities.

(2) Under this authority, the president has appointed the committee on the use of university facilities: To provide for proper review of the use of university facilities; to establish within the framework of this policy((?)) guidelines and procedures governing such use; to approve or disapprove requested uses; and to establish policies regarding fees and rental schedules where appropriate. Inquiries concerning the

use of university facilities may be directed to ~~((the Secretary of the Committee, 400 Administration Building (AI 10), 543-2560))~~:

University of Washington
Secretary of the Committee on the
Use of University Facilities
400 Gerberding Hall
Box 351210
Seattle, WA 98195-1210

(or phone: 543-2560).

(3) ~~((Sponsorship))~~ Preliminary approval of an event by an academic or administrative unit of the university implies that a responsible official has applied his or her professional judgment ((has been applied)) to the content of the program, the qualifications of the individuals conducting the event, the manner of presentation, and has concluded that the event is consistent with the teaching, research, and/or public service mission of the university.

(4) Final approval of a facilities use request by the committee on the use of university facilities implies that the committee has reviewed the proposed event ((has been reviewed)) with regard to: The general facilities policy; the direct and indirect costs to the institution; environmental, health and safety concerns; wear and tear on the facilities; appropriateness of the event to the specific facility; and the impact of the event on the campus community, surrounding neighborhoods and the general public.

(5) The university will not make its facilities or services available to organizations which do not assure the university that they will comply with the terms of the Americans with Disabilities Act (ADA, 42 U.S.C. 12132, 12182) and the Rehabilitation Act of 1973 (RA, 29 U.S.C. 794). Uses must not impose restrictions nor alter facilities in a manner which would violate the ADA or RA.

(6) The university will not make its facilities or services available to organizations which do not assure the university that they do not discriminate against any person because of race, color, religion, national origin, sex, sexual orientation, age, handicap, or status as a Vietnam era or disabled veteran, except where such organizations have been exempted from provisions of applicable state or federal laws or regulations.

(7) Individuals who violate the university's use of facilities regulations ((with)) and approved users who violate university contract terms for use of facilities may be advised of the specific nature of the violation and, if ((they persist, with)) continued, individuals may be requested to leave university property or be refused future use of university facilities. Failure to comply with ((such)) a request ((with)) to leave university property could subject such individuals to arrest and criminal prosecution under provisions of ((RCW 9A.52.080 (Criminal trespass in the second degree), city of Seattle 12A.08.040 (Criminal trespass), or other)) applicable state, county, and city laws.

AMENDATORY SECTION (Amending Order 82-2, filed 7/22/82, effective 10/1/82)

WAC 478-136-025 Users. (1) Faculty, staff, registered or official student organizations may use university facilities to hold events for faculty, staff and students provided such uses comply with ~~((the))~~ this general policy on ((the)) use of

university facilities and specific facilities use policies of individual university units. ~~((They))~~ These events do not, however, require either preliminary approval by an academic or administrative unit ((sponsorship)) or final approval by the committee on the use of university facilities.

(2) Faculty, staff, registered or official student organizations may use university facilities to hold events to which the general public is invited when the event has preliminary approval by an academic or administrative unit ((sponsorship)) and ((the)) final approval of the committee on the use of university facilities.

(3) Nonuniversity organizations and individuals may use university facilities to hold events which ~~((are sponsored))~~ have received preliminary approval by a university academic or administrative unit and ((approved)) final approval by the committee on the use of university facilities. The general public may be invited to such events.

~~((4) Use of facilities by groups for religious purposes is permitted on the same basis as for nonreligious purposes as long as the use by groups for religious purposes does not dominate access to facilities.))~~

AMENDATORY SECTION (Amending WSR 91-14-024, filed 6/25/91, effective 7/26/91)

WAC 478-136-030 Limitations on use. (1) Freedom of expression is a highly valued and indispensable quality of university life. However, university facilities may not be used in ways which obstruct or disrupt university operations, the freedom of movement, or any other lawful activities. Additionally, use of university facilities may be subject to reasonable time, place and manner restrictions.

(2) ~~((Faculty, staff, registered or official student organizations may use))~~ University facilities ((to present education at)) may be used for events and forums regarding ballot propositions and/or candidates who have filed for public office ((as)) so long as the ((audience is limited to university faculty, staff and students. However, state law (RCW 42.17.130) prohibits "the use of any of the facilities of a public office or agency, directly or indirectly, for the purpose of assisting a campaign for election of any person to any office or for the promotion of or opposition to any ballot proposition.")) event has received preliminary approval by an administrative or academic unit and final approval by the committee on the use of university facilities. There are, however, certain limitations on the use of university facilities for these political activities.

(a) First priority for the use of campus facilities shall be given to regularly scheduled university activities.

(b) University facilities may be used for political purposes such as events and forums regarding ballot propositions and/or candidates who have filed for public office only when the full rental cost of the facility is paid. However, use of state funds for payment of facility rental costs is prohibited.

(c) Forms or debates may be scheduled at full facility rental rates if all parties to a ballot proposition election or all candidates who have filed for office for a given position, regardless of party affiliation, are given equal access to the use of facilities within a reasonable time.

(d) No person shall solicit contributions on university property for political uses, except in instances where this

limitation conflicts with applicable federal law regarding interference with the mails.

(e) Public areas outside university buildings may be used for political purposes such as events and forums regarding ballot propositions and/or candidates who have filed for public office, excluding solicitation of funds, provided the other normal business of the university is not disrupted and entrances to and exits from buildings are not blocked.

(f) University facilities or services may not be used to establish or maintain offices or headquarters for political candidates or partisan political causes.

(3) University facilities may not be used for private or commercial purposes such as sales, advertising, or promotional activities unless such activities serve an educational purpose, as determined by the committee on the use of university facilities.

(4) ~~((The))~~ In accordance with WAC 478-136-010, the university will make its facilities available only for purposes related to the educational mission of the university, as determined by the committee on the use of university facilities, including but not limited to instruction, research, public assembly, and student activities. When permission is granted to use university facilities for approved instructional or related purposes, as a condition of approval, the user of university facilities agrees to include in all materials nonendorsement statements in the form approved by the committee on the use of university facilities. "Materials" includes all communications, advertisement, and any other printed, electronic, or broadcast/teecast information related to the user's activities offered in university facilities. The committee will determine the content, size of print and placement of the nonendorsement language. The university will not make its facilities available for instructional or related purposes that compete with courses or programs offered by the university.

(5) Solicitation, or distribution of handbills, pamphlets and similar materials by anyone, whether a member of the university community or of the general public, is not permitted in those areas of campus to which access by the public is restricted or where such solicitation or distribution would significantly impinge upon the primary business being ((carried on)) conducted. ((Handbills and similar printed materials may not be left in the Daily distribution boxes or left for distribution anywhere else on campus.)) Solicitation and distribution of materials in university residence halls are governed by residence hall policies.

~~((5))~~ Charitable solicitation is not permitted in those areas of the campus to which access by the public is restricted or where such solicitation would significantly impinge upon the primary business being carried on.))

(6) Electronic amplification on the grounds of the campus is prohibited with the following exceptions:

(a) The lawn area immediately west of the ~~((student))~~ Husky Union Building will be available for open-air speaking events using directional and volume-controlled speech amplification equipment provided by the university. Use of the ~~((student))~~ Husky Union Building lawn site will be available to registered or official student organizations and faculty or staff groups on a first-come, first-served basis. The amplification system will be issued upon presentation of a currently valid student, faculty or staff identification card

at the ~~((Student Union)) Husky Union Building Reservation Office((, 104C Student Union Building))~~.

(b) The committee on the use of university facilities may grant permission, under special circumstances, for the use of other amplification equipment on the lawn site west of the ~~((student)) Husky Union Building~~ or in other outdoor locations. Permission should be requested through ~~((the Secretary to the Committee, 400 Administration Building (AI 10), 543-2560))~~:

University of Washington
Secretary to the Committee on the
Use of University Facilities
400 Gerberding Hall
Box 351210
Seattle, WA 98195-1210

(or phone: 543-2560), sufficiently in advance of the program to allow timely consideration.

(7)(a) ~~((The parking garages on the campus of the University of Washington are open to the public for the limited purpose of parking motor vehicles. Sleeping, or remaining in the parking garages for purposes unrelated to vehicular parking is prohibited.))~~ No person may use university facilities to camp, except if permission to do so has been granted in accordance with the provisions of chapters 478-116 and 478-136 WAC or except as provided in (b) of this subsection. "Camp" means to remain overnight, to erect a tent or other shelter, or to use sleeping equipment, a vehicle, or a trailer camper, for the purpose of or in such ways as will permit remaining overnight. Violators are subject to arrest and criminal prosecution under applicable ((statutes including RCW 9A.52.080, 9.66.030, and 7.48.220)) state, county and city laws.

(b) ~~((The term "parking garages" as used in (a) of this subsection shall mean the sheltered parking areas on the University of Washington campus, and the stairwells and entrances of those covered parking areas.))~~ This provision does not prohibit use of the university residence facilities in accordance with chapter 478-156 WAC or the use of facilities where the employee remains overnight to fulfill the responsibilities of his or her position or where a student remains overnight to fulfill the requirements of his or her course of study.

(8) Within the limits of applicable laws, the University of Washington is committed to establishing and maintaining safe conditions for persons attending football games in Husky Stadium or other athletic events or concerts in campus facilities. Accordingly, the rules enumerated below will apply to all such events and be strictly enforced.

(a) The possession or consumption of alcoholic beverages or illegal drugs is prohibited. In addition to having the beverages or drugs confiscated, violators may be subject to university disciplinary action and/or legal proceedings, and removal from the events.

(b) Air horns, glass bottles, cans, picnic baskets, bota bags, ice chests, and thermoses (in excess of two-quart capacity) are prohibited. Individuals possessing such will not be admitted to, or will be removed from, Husky Stadium or other athletic or concert facilities until the items have been stored temporarily at locations provided for that purpose or disposed of in some other manner.

(c) Smoking ~~((of tobacco in any form))~~ is prohibited in the seating areas of ~~((Husky Stadium))~~ all athletic stadia. Smoking is permitted on ~~((the))~~ pedestrian concourses.

(9) The University of Washington is committed to maintaining a safe and healthful work and educational environment for all faculty, staff, students, and visitors. ~~((This smoking policy will assist in protecting nonsmokers from smoke in their work environments or areas they frequent for personal activities, and in protecting life and property against fire hazard.))~~ Accordingly, ~~((the rules enumerated below constitute))~~ the University of Washington establishes the following smoking policy to protect nonsmokers from exposure to smoke in their university-associated environments and to protect life and property against fire hazards:

(a) Except as provided in subsection (8)(c) and (b) of this ((subsection)) section, smoking ~~((of tobacco in any form))~~ is prohibited in all university vehicles ~~((and))~~, inside all buildings(-

(i) Owned or occupied by the university; and

(ii) Used by the university's faculty, staff, or students)) owned or occupied by the university and/or used by the university's faculty, staff or students and at any outside areas or locations that may directly or indirectly affect the air supply of buildings or carry smoke into buildings.

(b) Smoking may be permitted in student rooms in university residence halls and apartments in university student housing in accordance with smoking regulations established for those facilities by the vice-president for student affairs. ~~((The vice-president for student affairs shall be responsible for establishing smoking regulations for these facilities.))~~

(c) ~~((Whenever possible, this smoking policy will be enforced locally by relevant supervisors and administrators, and through informal dispute resolution. Should such measures fail, violations may result in formal disciplinary action.))~~ The director of environmental health and safety may designate specific outdoor locations as no smoking areas.

(d) Any student, staff, or faculty member who violates the university smoking policy may be subject to disciplinary action. In addition, violations of the university smoking policy may be subject to enforcement by the University of Washington police department.

AMENDATORY SECTION (Amending Order 82-2, filed 7/22/82, effective 10/1/82)

WAC 478-136-060 Safety and liability. (1) It is the responsibility of any person or organization requesting the use of university facilities to ~~((ensure that the proposed use will be carried out in a manner that assures the safety of all persons concerned. Compliance))~~ comply with all applicable university policies, procedures, rules and regulations, and applicable local, state and federal laws, including but not limited to fire, health and safety regulations ((is required)).

(2) Permission to a nonuniversity organization or to a registered or official student organization for the use of university facilities is granted with the express understanding and condition that such organization assumes full responsibility for any loss, damage or claims arising out of such use.

When the event involves physical activity, or otherwise will increase the risk of bodily injury above the level inherent in the facilities to be used, proof of appropriate liability insurance coverage with limits of at least \$1,000,000 per occurrence must be provided to the university's office of risk management before approval for the requested use will be granted.

REPEALER

The following section of the Washington Administrative Code is repealed:

WAC 478-136-040 Reservation and approval procedures.

WSR 97-18-080
PROPOSED RULES
PARKS AND RECREATION
COMMISSION

[Filed September 3, 1997, 10:55 a.m.]

Original Notice.

Preproposal statement of inquiry was filed as WSR 97-15-152 and 97-15-113.

Title of Rule: Chapter 352-32 WAC, Public use of state park areas, WAC 352-32-250 Standard fees charged, 352-32-010 Definitions, 352-32-210 Consumption of alcohol in state parks, 352-32-251 Limited income senior citizen, disability, and veteran disability passes, and 352-32-270 Sno-park permit fees.

Purpose: These rules need to be opened in order to make changes, updates, and the establishment of new fees in conjunction with the state parks annual fee review.

Statutory Authority for Adoption: RCW 43.51.060, 43.51.055, 43.51.050, 43.51.040, and 43.51.300.

Summary: Identify new fees, modify definitions for existing fees, minor language changes to clarify regulations.

Reasons Supporting Proposal: As part of the state parks annual fee review, regulations are updated to reflect changes in policy and circumstances.

Name of Agency Personnel Responsible for Drafting: Pamela McConkey, 7150 Cleanwater Lane, (360) 902-8595; Implementation and Enforcement: Kathryn Smith, (360) 902-8594.

Name of Proponent: Washington State Parks and Recreation Commission, Sno-Parks Advisory, private and governmental.

Rule is not necessitated by federal law, federal or state court decision.

Explanation of Rule, its Purpose, and Anticipated Effects: Rules define and establish state park fees concerning public use of state park areas. The changes being proposed are the result of state parks annual fee review and reflect changes in policy suggested by that review. Changes include: Defining new fees, modifying existing fees, and clarification of language to meet commission policy goals and provide for efficient management of state parks. Anticipated effects include generation of additional revenue for state parks and improvement of park management and rule enforcement.

Proposal Changes the Following Existing Rules: Changes include definition and establishment of new fees, modifying existing fees, and clarification of language in certain sections of chapter 352-32 WAC.

No small business economic impact statement has been prepared under chapter 19.85 RCW. This WAC amendment does not regulate or have economic impact through regulations on small businesses. There are no compliance costs to small businesses.

RCW 34.05.328 does not apply to this rule adoption. Significant legislative rule-making requirements are not imposed on the state Parks and Recreation Commission nor has the commission voluntarily applied these requirements.

Hearing Location: Red Lion, 322 North Spokane Falls Court, Spokane, WA, on October 17, 1997, at 9:00.

Assistance for Persons with Disabilities: Contact Tom Ernsberger by October 7, 1997, TDD (509) 664-3162, or (509) 662-0420.

Submit Written Comments to: Kathryn J. Smith, 7150 Cleanwater Lane, Olympia, WA 98504-2650, FAX (360) 586-5875, by October 6, 1997.

Date of Intended Adoption: October 17, 1997.

September 3, 1997

Jim French

Policy Analyst

AMENDATORY SECTION (Amending WSR 96-22-018, filed 10/29/96, effective 1/1/97)

WAC 352-32-010 Definitions. Whenever used in this chapter the following terms shall be defined as herein indicated:

"Bivouac" shall mean to camp overnight on a vertical rock climbing route on a ledge or in a hammock sling.

"Camping" shall mean erecting a tent or shelter or arranging bedding, or both, or parking a recreation vehicle or other vehicle for the purpose of remaining overnight.

"Camping unit" shall mean a group of people (one or more persons) that is organized, equipped and capable of sustaining its own camping activity.

"Commercial recreation use" is a recreational activity in a state park that is packaged and sold as a service by an organization or individual, other than state parks or a state park concessionaire.

"Commercial recreation provider" is any individual or organization that packages and sells a service that meets the definition of a commercial recreation use.

"Commission" shall mean the Washington state parks and recreation commission.

"Day area parking space" shall mean any designated parking space within any state park area designated for daytime vehicle parking.

"Director" shall mean the director of the Washington state parks and recreation commission.

"Emergency area" is an area in the park separate from the designated overnight camping area, which the park manager decides may be used for camping when no alternative camping facilities are available within reasonable driving distances.

"Environmental interpretation" shall mean the provision of services, materials, publications and/or facilities, including environmental learning centers (ELC), for other than basic

access to parks and individual camping, picnicking, and boating in parks, that enhance public understanding, appreciation and enjoyment of the state's natural and cultural heritage through agency directed or self-learning activities.

"Environmental learning centers (ELC)" shall mean those specialized facilities, designated by the director, designed to promote outdoor recreation experiences and environmental education in a range of state park settings.

"Group camping areas" are designated areas usually primitive with minimal utilities and site amenities and are for the use of organized groups. Facilities and extent of development vary from park to park.

"Motorcycle" means every motor vehicle having a saddle for the use of the rider and designed to travel on not more than three wheels in contact with the ground, but excluding a farm tractor and a moped.

"Multiple campsite" shall mean a designated and posted camping facility encompassing two or more individual standard, utility or primitive campsites.

"Overflow area" shall mean an area in a park separate from designated overnight and emergency camping areas, designated by the park manager, for (~~primitive~~) camping to accommodate peak camping demands in the geographic region.

"Overnight accommodations" shall mean any facility or site designated for overnight occupancy within a state park area.

"Paraglider" shall mean an unpowered ultralight vehicle capable of flight, consisting of a fabric, rectangular or elliptical canopy or wing connected to the pilot by suspension lines and straps, made entirely of nonrigid materials except for the pilot's harness and fasteners. The term "paraglider" shall not include hang gliders or parachutes.

"Person" shall mean all natural persons, firms, partnerships, corporations, clubs, and all associations or combinations of persons whenever acting for themselves or by an agent, servant, or employee.

"Popular destination park" shall mean any state park designated by the director as a popular destination park because, it is typically occupied to capacity (~~by Thursday or~~) on Friday or Saturday night during the high use season (~~and the typical park user plans to stay more than one night~~).

"Primitive campsite" shall mean a campsite not provided with flush comfort station nearby and which may not have any of the amenities of a standard campsite.

"Public assembly" shall mean a meeting, rally, gathering, demonstration, vigil, picketing, speechmaking, march, parade, religious service, or other congregation of persons for the purpose of public expression of views of a political or religious nature for which there is a reasonable expectation that more than one hundred persons will attend based on information provided by the applicant. Public assemblies must be open to all members of the public, and are generally the subject of attendance solicitations circulated prior to the event, such as media advertising, flyers, brochures, word-of-mouth notification, or other form of prior encouragement to attend.

Alternatively, the agency director may declare an event to be a public assembly in the following cases: Where evidentiary circumstances and supporting material suggest that more than one hundred persons will attend, even where

the applicant does not indicate such an expectation; or where there is reason to expect a need for special preparations by the agency or the applicant, due to the nature or location of the event.

"Ranger" shall mean a duly appointed Washington state parks ranger who is vested with police powers under RCW 43.51.170, and shall include the park manager in charge of any state park area.

"Recreation vehicle" shall mean a vehicle/trailer unit, van, pickup truck with camper, motor home, converted bus, or any similar type vehicle which contains sleeping and/or housekeeping accommodations.

"Residence" shall mean the long-term habitation of facilities at a given state park for purposes whose primary character is not recreational. "Residence" is characterized by one or both of the following patterns:

Camping at a given park for more than twenty days within a thirty-day time period May 1 through September 30; or thirty days within a sixty-day time period October 1 through April 30. As provided in WAC 352-32-030(7), continuous occupancy of facilities by the same camping unit shall be limited to ten consecutive nights May 1 through September 30 and fifteen consecutive nights October 1 through April 30 in one park, after which the camping unit must vacate the overnight park facilities for three consecutive nights. The time period shall begin on the date for which the first night's fee is paid.

The designation of the park facility as a permanent or temporary address on official documents or applications submitted to public or private agencies or institutions.

"Sno-park" shall mean any designated winter recreational parking area.

"Special groomed trail area" shall mean those sno-park areas designated by the director as requiring a special groomed trail permit.

"Special recreation event" shall mean a group recreation activity in a state park sponsored or organized by an individual or organization that requires reserving park areas, planning, facilities, staffing, or other services beyond the level normally provided at the state park to ensure public welfare and safety and facility and/or environmental protection.

"Standard campsite" shall mean a designated camping site which is served by nearby domestic water, sink waste, garbage disposal, flush comfort station and picnic table.

"State park area" shall mean any area under the ownership, management, or control of the commission, including trust lands which have been withdrawn from sale or lease by order of the commissioner of public lands and the management of which has been transferred to the commission, and specifically including all those areas defined in WAC 352-16-020. State park areas do not include the seashore conservation area as defined in RCW 43.51.655 and as regulated under chapter 352-36 WAC.

"Trailer dump station" shall mean any state park sewage disposal facility designated for the disposal of sewage waste from any recreation vehicle, other than as may be provided in a utility campsite.

"Upland" shall mean all lands lying above mean high water.

"Utility campsite" shall mean a standard campsite with the addition of electricity and which may have domestic water and/or sewer.

"Watercraft launch site" shall mean any facility located in a state park area designated for the purpose of placing or retrieving any vehicle-borne or trailer-borne watercraft into or out of the water.

"Water trail advisory committee" shall mean the twelve-member committee constituted by RCW 43.51.456.

"Water trail camping sites" shall mean those specially designated group camp areas identified with signs, that are near water ways, and that have varying facilities and extent of development.

AMENDATORY SECTION (Amending WSR 94-13-081, filed 6/13/94, effective 7/14/94)

WAC 352-32-210 Consumption of alcohol in state park areas. (1) Opening, possessing alcoholic beverage in an open container, or consuming any alcoholic beverages in any state park or state park area is prohibited except in the following designated areas and under the following circumstances in those state parks or state park areas not posted by the director as closed to alcohol pursuant to subsection (4) of this section:

(a) In designated campsites or in other overnight accommodations, by registered ~~((campers))~~ occupants or their guests;

(b) In designated picnic areas, which shall include those sites within state park areas where picnic tables, benches, fireplaces, and/or outdoor kitchens are available, even though not signed as designated picnic areas~~(s))~~ and public meeting rooms;

(c) In any reservable group day use facility by any authorized group which has paid the reservation fee and applicable damage deposit and which has obtained prior permit authorization to have alcohol by the park manager; and

(d) In any building, facility or park area operated and maintained under a concession agreement, wherein the concessionaire has been licensed to sell alcoholic beverages by the Washington state liquor control board, and where the dispensation of such alcoholic beverages by such concessionaire has been approved by the commission.

(2) Opening, possessing alcoholic beverage in an open container, or consuming any alcoholic beverages is prohibited at the following locations:

- (a) Dash Point State Park;
- (b) Saltwater State Park;

Except in the following designated areas and under the following circumstances:

(i) In designated campsites, or in other overnight accommodations by registered ~~((campers))~~ occupants or their guests.

(ii) In any building, facility or park area operated and maintained under a concession agreement wherein the concessionaire has been licensed to sell alcoholic beverages by the Washington state liquor control board, and where the dispensation of such alcoholic beverages by such concessionaire has been approved by the commission.

(iii) In any reservable group day use facility by any authorized group which has paid the reservation fee and

applicable damage deposit and which has obtained prior permit authorization to have alcohol by the park manager.

(3) The director may, for a specified period or periods of time, close any state park or state park area to alcohol if the director concludes that an alcohol closure is necessary for the protection of the health, safety and welfare of the public, park visitors or staff, or commission property. The director shall consider factors including but not limited to the effect or potential effect of alcohol on public and employee safety, park appearance, atmosphere, and noise levels, conflicts with other park uses or users, the demand for law enforcement, and the demand on agency staff. Prior to closing any park or park area to alcohol, the director or the director's designee shall hold a public hearing in the general area of the park or park area to be closed to alcohol. Prior notice of the meeting shall be published in a newspaper of general circulation in the area. In the event the director determines that an immediate alcohol closure is necessary to protect against an imminent and substantial threat to the health, safety and welfare of the public, park visitors or staff, or commission property, the director may take emergency action to close a park or park area to alcohol without first complying with the publication and hearing requirements of this subsection. Such emergency closure may be effective for only so long as is necessary for the director to comply with the publication and hearing requirements of this subsection.

(4) The director shall ensure that any park or park area closed to alcohol pursuant to subsection (3) of this section is conspicuously posted as such at the entrance to said park or park area. Additionally, the director shall maintain for public distribution a current list of all parks and park areas closed to alcohol pursuant to subsection (3) of this section.

(5) Dispensing alcoholic beverages from containers larger than two gallons is prohibited in state park areas except when authorized in writing and in advance by the park manager.

(6) The provisions of this rule shall not apply to any part of the Seashore Conservation Area, as designated and established by RCW 43.51.655.

(7) Opening, consuming, or storing alcoholic beverages in Fort Simcoe State Park and Squaxin Island State Park is prohibited.

(8) Except as provided in WAC 352-32-310, any violation of this section is an infraction under chapter 7.84 RCW.

AMENDATORY SECTION (Amending WSR 96-22-018, filed 10/29/96, effective 1/1/97)

WAC 352-32-250 Standard fees charged. Fees shall be charged in parks operated by the ~~((Washington state parks and recreation))~~ commission for use of lands, facilities, programs, services, and materials as published by state parks: *Provided, however,* That the director has the authority to discount fees to a maximum of 50% below the published fee amounts in order to take advantage of marketing opportunities to encourage use and increase revenues. Any such discounts shall be effective for a limited period of time less than one year in duration. The director may consider the following factors in temporarily establishing or discounting fees:

Prevailing rates for comparable facilities;

Day of the week;
 Season of the year;
 Amenities of the park area and site;
 Demand for facilities; and

Such other considerations as the director deems appropriate. The director may also waive fees for marketing or promotional purposes or to redress visitor complaints, provided, however, that annual fees may not be waived. The director may also establish temporary fees for a maximum of one year for new facilities or services.

(1) The director may authorize reciprocity with other state or federal agencies for the use of annual permits of like services, provided, that Washington licensed vehicles and/or residents shall be required to have and/or display the appropriate Washington permit;

(2) Overnight camping - standard campsite; utility campsite; emergency campsite; overflow campsite; primitive campsite for nonmotorized vehicle; primitive campsite for motorized vehicle - fees will be charged as published by state parks. Payment for utility campsite will be collected whether utility hookups are actually used or not, except when otherwise specified by a ranger;

(3) Overnight camping - multiple campsites: Where campsites are designated and posted as a "multiple campsite," an individual may rent the multiple campsite by paying the multiple campsite fee. The multiple campsite fee will be calculated by multiplying the standard utility or primitive campsite fee, as applicable, by the number of individual campsites to be used in the designated multiple campsite;

(4) Group camping area - certain parks: Individual camping units using these facilities must pay the primitive campsite fee or other appropriate fee based on facilities available;

(5) Environmental interpretation:

(a) Service fees will be established by the director in order to recover, to the maximum extent practicable, all direct and indirect costs of environmental interpretation services on a program-wide basis based on anticipated attendance.

(b) Material and publication fees will be established by the director. All material and publication fees will be deposited in the parks improvement account to be used for purposes specified in RCW 43.51.052.

(c) Facility use, including environmental learning center fees, will be established by the commission. A facility use fee schedule is available by contacting Washington State Parks and Recreation Commission, 7150 Cleanwater Lane, P.O. Box 42650, Olympia, WA 98504-2650;

(6) Adirondacks - not to include those located in ELC areas: Occupancy shall be limited to the number of built-in bunks provided;

(7) Extra vehicle overnight parking fee will be charged for each additional unhitched vehicle in excess of the one recreational vehicle allowed at each campsite: *Provided*, An extra vehicle overnight parking fee shall not be imposed when the recreational vehicle and the towed vehicle arrive at the park hitched together, and after the camper has registered for and occupied the assigned campsite either the recreational vehicle or the towed vehicle remain parked at the campsite for the duration of the camper's stay;

(8) Unattended vehicle overnight parking permit: Unoccupied vehicles parked overnight in designated areas

must register and pay the nightly permit fee. The permit must be prominently displayed in the vehicle;

(9) Watercraft launch site permit fee - charged according to facilities provided. Boat launch permit shall not be required for:

(a) Vehicles, other than those registered as extra overnight parking vehicles, registered for camping or overnight mooring in the park containing the watercraft launch site;

(b) Vehicles of persons using any recreational housing or conference facilities at Fort Worden State Park;

(c) Vehicles of persons holding limited-income senior citizen, disability or disabled veteran passes;

(d) Vehicles displaying a valid annual watercraft launch site permit;

(10) Annual watercraft launch site permit valid January 1 - December 31 at any launch site designated by the commission. Permit must be displayed as instructed on permit backing;

(11) Trailer dump station fee - Fee shall not be required for:

(a) Registered camping vehicles in the park containing the dump station;

(b) Vehicles of persons holding limited-income senior citizen, disability or disabled veterans passes;

(12) Popular destination park - a surcharge will apply for use of standard or utility campsite located in a popular destination park during such periods as the director may specify;

(13) Water trail site permits -

(a) Unlimited use within the calendar year, annual fee to be set by the director after consultation with the water trail advisory committee, based on a cumulative charge of \$1.00 per site available for public use at the start of the calendar year;

(b) One day/night use within the calendar year, annual fee to be set by the director after consultation with the water trail advisory committee, based on a cumulative charge of \$.35 per site available for public use at the start of the calendar year;

(c) For children under 13 years of age the permits shall be issued at no cost;

(d) Water trail permits issued to persons by another state or Canadian province will be honored provided that a similar reciprocal provision for Washington water trail permit holders is issued by that state or province;

(e) Water trail permits will be issued to holders of Washington state parks passes (WAC 352-32-251) for the applicable discounts;

(14) A surcharge per collection shall be assessed for any staff collected fee at a self-registration overnight facility;

(15) Group day use facilities - a minimum daily permit fee will be charged for groups of 20 or more;

(16) Reservation transaction - fee will be charged as published by state parks;

(17) Moorage facilities - fee will be charged as published by state parks;

(18) Hot showers, electric stoves, cable television and telephone line hook-ups - fees will be charged as published by state parks. Fees published by state parks do not apply in those circumstances set forth in WAC 352-32-280 and 352-32-285 as now or hereafter amended;

(19) Commercial recreation provider permit registration - a fee shall be charged, as published by state parks for registration as a commercial recreation provider;

(20) Commercial recreation provider permit - effective January 1, 1998, a fee shall be charged, as published by state parks for obtaining a permit to engage in commercial recreational use of state parks, as defined in WAC 352-32-010.

(21) Sno-park permit - seasonal and daily permit fees will be charged as published by state parks.

(22) Special groomed trail permit - a state-wide special groomed trail permit will be required for use of special groomed trail areas. The fee charged will be as published by state parks.

(23) Wood debris collection permit - fee will be charged for collection and removal of wood debris from a state park area pursuant to RCW 4.24.210. The fee may be waived for volunteers assisting with emergency salvage and storm clean-up in the parks.

(24) Merchandise - prices for merchandise including but not limited to interpretive, recreational and historic materials, literature, food, beverage, grocery and other items at agency operated sales points will be based on market rates and practices.

(25) Back country camping permit - fee will be charged as published by state parks for selected state park areas as designated by the director.

(26) Group use registration - fee will be charged for groups of 20 or more who have not otherwise reserved group facilities.

(27) Special event - fees will be charged based on the cost of providing events and market rates for comparable activities at other locations.

AMENDATORY SECTION (Amending WSR 96-22-018, filed 10/29/96, effective 1/1/97)

WAC 352-32-251 Limited income senior citizen, disability, and veteran disability passes. (1)(a) Persons who are senior citizens, meet the eligibility requirements of RCW 43.51.055, and have been residents of Washington state for at least one year shall, upon application to the commission accompanied by either a copy of a federal income tax return filed for the previous calendar year, or a senior citizen property tax exemption pursuant to RCW 84.36.381, or a notarized affidavit of income on a form provided by the commission, receive a limited income senior citizen pass at no charge, which entitles the holder and the holder's camping unit to free admission to any state park administered facility, free use of trailer dump stations, watercraft launch sites, and to a fifty percent reduction in any campsite fees or moorage fees levied by the commission. Limited income senior citizen passes shall remain valid so long as the pass holder meets eligibility requirements.

(b) Proof submitted to the commission for the return of a senior citizen pass surrendered upon request to a commission employee who has reason to believe the user does not meet the eligibility criteria shall be the same as listed in subsections (1) and (5) of this section for original pass issuance.

(2) Persons who are permanently disabled, legally blind, or profoundly deaf, meet the eligibility requirements of RCW 43.51.055, and have been residents of Washington state for at least one year shall, upon application to the commission, receive a five year disability pass at no charge and other disabled persons who meet the eligibility requirements of RCW 43.51.055 and have been residents of Washington state for at least one year shall, upon application to the commission, receive a one year disability pass which entitles the holder and the holder's camping unit to free admission to any state park administered facility, free use of trailer dump stations, watercraft launch sites, and to a fifty percent reduction in any campsite fees or moorage fees levied by the commission.

(3) Persons who are veterans, meet the eligibility requirements of RCW 43.51.055, and have been residents of Washington state for at least one year shall, upon application to the commission, receive a lifetime veteran disability pass at no charge which entitles the holder and the holder's camping unit to free admission to any state park administered facility and to free use of any state park campsite, trailer dump station, watercraft launch site, or moorage facility, and reservation service.

(4) Applications for limited income senior citizen, disability, and veteran disability passes shall be made on forms prescribed by the commission.

(5) Verification of age shall be by original or copy of a birth certificate, notarized affidavit of age, witnessed statement of age, baptismal certificate, or driver's license. Verification of residency shall be by original or copy of a Washington state driver's license, voter's registration card, or senior citizen property tax exemption.

(6) For pass holders who travel by car or recreational vehicle a camping unit shall include the pass holder and up to seven guests of the holder who travel with the holder and use one campsite or portion of a designated group camping or emergency area. One additional vehicle without built-in sleeping accommodations may be part of the camping unit of a holder at one campsite or portion of a designated group camping or emergency area when in the judgment of a ranger the constructed facilities so warrant and the total number of guests of the holder do not exceed seven.

(7) For pass holders who travel by a mode of transportation other than car or recreational vehicle a camping unit shall include the pass holder and up to five guests who travel with the holder and use one campsite or portion of a designated group camping or emergency area.

(8) If the conditions of a pass holder change during the time period when a pass is valid such that a pass holder no longer meets the eligibility requirements of RCW 43.51.055 and WAC 352-32-251, then a pass holder shall return a pass to the commission.

AMENDATORY SECTION (Amending WSR 92-15-120, filed 7/21/92, effective 8/21/92)

WAC 352-32-270 Sno-park permit((—Fee)). Fees for the ((fees and commencement and expiration dates for)) winter recreational area parking permits ((issued)) will be established by the ((state of Washington)) commission and shall be ((as follows)) published by state parks. These permits include:

(1) Seasonal permit - (~~(\$20.00 per vehicle per season--)~~) commences October 1 and expires May 1 of the winter season for which it is issued.

(2) (~~Three day permit -- \$10.00 per vehicle -- commences on the date identified on the permit in the space provided and expires no later than twelve midnight two consecutive days later.~~)

(3)) One day permit - (~~(\$7.00 per vehicle--)~~) commences on the date identified on the permit in the space provided and expires on that same date.

(3) Special groomed trail permit - the director may designate certain sno-parks as requiring a special groomed trail permit. In making this designation the director may consider the following factors:

The facilities and services available;

The demand for facilities and services; user days; and

Such other considerations as the director deems appropriate.

WSR 97-18-087

PROPOSED RULES

DEPARTMENT OF

SOCIAL AND HEALTH SERVICES

(Aging and Adult Services Administration)

(Public Assistance)

[Filed September 3, 1997, 11:32 a.m.]

Original Notice.

Preproposal statement of inquiry was filed as WSR 96-18-089.

Title of Rule: Revisions to the adult family home minimum licensing requirements, WAC 388-76-540 through 388-76-795.

Purpose: To make the adult family home regulations clearer, more easily understood, and more reflective of practices that are currently in place.

Statutory Authority for Adoption: RCW 70.128.040.

Statute Being Implemented: Chapters 70.128 and 70.129 RCW.

Summary: Due to laws passed in the 1995 legislative session, rules governing adult family homes were completely revised and became effective in July 1996. In the past year, internal and external stakeholders have provided input and feedback concerning their experience implementing these rules. This feedback made it evident that changes to the regulations were needed to: (1) Eliminate faulty and/or confusing language; (2) make the regulations clearer and more easily understood; and (3) make the regulations more reflective of current practice. In addition, some changes are necessary to ensure department expectations are clearly defined and easily understood.

Reasons Supporting Proposal: See Summary above.

Name of Agency Personnel Responsible for Drafting, Implementation and Enforcement: Stacy Winokur, P.O. Box 45600, Olympia, WA 98504-5600, 1-800-422-3263 or (360) 407-0505.

Name of Proponent: Department of Social and Health Services, governmental.

Rule is not necessitated by federal law, federal or state court decision.

Explanation of Rule, its Purpose, and Anticipated Effects: See Purpose and Summary above.

Proposal Changes the Following Existing Rules: These changes will: (1) Eliminate faulty and/or confusing language; (2) make the regulations clearer and more easily understood; (3) make the regulations more reflective of current practice; and (4) ensure department expectations are clearly defined and easily understood.

No small business economic impact statement has been prepared under chapter 19.85 RCW. An analysis of the economic impact to small businesses will be included in the detailed written analysis required by RCW 34.05.328.

RCW 34.05.328 applies to this rule adoption.

Hearing Location: Lacey Government Center (behind Tokyo Bento restaurant), 1009 College Street S.E., Room 102, Lacey, WA 98503, on October 21, 1997, at 10:00 a.m.

Assistance for Persons with Disabilities: Contact Leslie Baldwin by October 14, 1997, phone (360) 902-7540, TTY (360) 902-8324, e-mail lbaldwin@dshs.wa.gov.

Submit Written Comments to and Identify WAC Numbers: Leslie Baldwin, Rules Coordinator, Rules and Policies Assistance Unit, P.O. Box 45850, Olympia, WA 98504-5850, FAX (360) 902-8292, by October 21, 1997.

Date of Intended Adoption: No sooner than October 22, 1997.

September 3, 1997

Merry A. Kogut, Manager

Rules and Policies Assistance Unit

Reviser's note: The material contained in this filing exceeded the page-count limitations of WAC 1-21-040 for appearance in this issue of the Register. It will appear in the 97-19 issue of the Register.

WSR 97-18-090

PROPOSED RULES

DEPARTMENT OF HEALTH

[Filed September 3, 1997, 11:55 a.m.]

Original Notice.

Preproposal statement of inquiry was filed as WSR 97-12-084.

Title of Rule: Nonprofit hospital acquisitions.

Purpose: To implement SSB 5227 by establishing a procedure by which the acquisition of a nonprofit hospital or public hospital district hospital is reviewed and approved or disapproved by the department.

Statutory Authority for Adoption: Section 14, chapter 332, Laws of 1997.

Statute Being Implemented: Section 3, chapter 332, Laws of 1997.

Summary: Proposed rule states purpose of statute and identifies fees.

Reasons Supporting Proposal: To develop fee schedule for acquisition of nonprofit hospital reviews.

Name of Agency Personnel Responsible for Drafting, Implementation and Enforcement: Stephen A. Boruchowitz, 1112 Quince Street S.E., (360) 753-0719.

Name of Proponent: Department of Health, governmental.

Rule is not necessitated by federal law, federal or state court decision.

PROPOSED

Explanation of Rule, its Purpose, and Anticipated Effects: Establishes procedure by which acquisition of nonprofit hospitals or public health district hospitals are reviewed and approved or disapproved by the department. Processing and review fees are established. Refund schedule and attorney general fees are provided for. The department will reassess the fee structure after two completed reviews of applications or by the end of the biennium.

Proposal does not change existing rules.

No small business economic impact statement has been prepared under chapter 19.85 RCW. Does not impact small businesses.

RCW 34.05.328 does not apply to this rule adoption. The rule does not adopt substantive provisions of law pursuant to delegated authority, the violation of which subjects the violator to a penalty or sanction; establish, alter or revoke any qualification or standard for issuance, suspension or revocation of license or permit; or adopt a new, or make significant amendments to a policy or regulatory program.

Hearing Location: Labor and Industries Building, Tumwater, on October 9, 1997, at 9:00 a.m.

Assistance for Persons with Disabilities: Contact Arika Atkins by September 22, 1997, (360) 664-0398.

Submit Written Comments to: Stephen A. Boruchowitz, FAX (360) 664-0398, by October 9, 1997.

Date of Intended Adoption: October 10, 1997.

September 3, 1997
Bruce Miyahara
Secretary

NEW SECTION

WAC 246-312-010 Purpose. The purpose of this chapter is to implement chapter 332, Laws of 1997, the nonprofit hospital sales review program. The legislature has determined that the state has an interest to assure the continued existence of accessible, affordable health care facilities. To achieve this goal the department of health is responsible for reviewing and approving the acquisition of nonprofit hospitals by for-profit entities. The department may approve an acquisition of a nonprofit hospital only if it determines that the nonprofit hospital has taken appropriate steps to safeguard charitable assets and any proceeds of the acquisition are used for appropriate charitable health and health care purposes.

NEW SECTION

WAC 246-312-020 Fees. (1) The department will assess on the acquiring party a nonrefundable application processing fee, a review fee and other charges as authorized in chapter 332, Laws of 1997. The fees shall consist of the following:

Processing Fees	Nonrefundable Processing Fee
Each New Application will be subject to a	\$1,000
Each Amendment to an application undergoing review will be subject to a	\$ 500

Type of Acquisition Description	Review Fee
Acquisition of 20% or more of the assets of the hospital	\$40,000
Change in current ownership position that results in acquiring party holding or controlling 50% or more of the hospital assets	\$50,000
Any Other Change in Ownership	\$60,000
Amendment to an approved Change of Ownership	\$15,000
Other Fees (When Applicable)	Fee Amount
Exemption Determinations	\$ 250
Fair Market Value Determination-Nonrefundable	\$ Based on Contracted Amount
Public Health Services District-Voluntary Review	\$ To be billed at Cost
On-Site Compliance Visit-Non-refundable	\$ To be billed at Cost
Attorney General Opinion-Non-refundable	\$ As billed to the department by the attorney general's office

(2) When an applicant submits a written request to withdraw an application, the department shall refund the review fee using the following schedule:

Time Period For Requesting Withdrawal of Application	Amount of Review Fee to be Refunded
Within 10 working days after receipt of the completed application	100%
Between the 11th working day and the 45th working day after receipt of the completed application	50%
After the 45th working day	0%

(3) Fees for the fair market value determination shall be paid in addition to the applicable processing and application review fees. These fees shall be based on the contracted amount for consultants with the expertise to make such an evaluation. The acquiring party is responsible for this payment. If payment of this fee is not made within ten working days following being billed, the review of the application shall be suspended until payment is made.

(4) Fees for the public health services district voluntary review shall be paid by the public health services district. These fees shall be billed at cost and must be paid within ten working days of being billed.

(5) Fees for the attorney general's opinion shall be paid in addition to the applicable processing and application review fees. These fees shall be based on the charges billed to the department and then billed to the acquiring party. Fees must be paid within ten working days of being billed or the review of the application shall be suspended until payment is made.

NO EXPEDITED ADOPTIONS FILED IN THIS ISSUE

EXPEDITED ADOPTION



WSR 97-18-001
PERMANENT RULES
BOARD FOR
VOLUNTEER FIREFIGHTERS

[Filed August 20, 1997, 4:21 p.m.]

Date of Adoption: August 20, 1997.

Purpose: The following section of the Washington Administrative Code is repealed.

Citation of Existing Rules Affected by this Order: Repealing WAC 491-10-010 Emergency medical service districts—Fees.

Statutory Authority for Adoption: Chapter 41.24 RCW.

Adopted under preproposal statement of inquiry filed as WSR 97-13-046 on June 13, 1997.

Number of Sections Adopted in Order to Comply with Federal Statute: New 0, amended 0, repealed 0; Federal Rules or Standards: New 0, amended 0, repealed 0; or Recently Enacted State Statutes: New 0, amended 0, repealed 0.

Number of Sections Adopted at Request of a Nongovernmental Entity: New 0, amended 0, repealed 0.

Number of Sections Adopted on the Agency's own Initiative: New 0, amended 0, repealed 0.

Number of Sections Adopted in Order to Clarify, Streamline, or Reform Agency Procedures: New 0, amended 0, repealed 0.

Number of Sections Adopted using Negotiated Rule Making: New 0, amended 0, repealed 0; Pilot Rule Making: New 0, amended 0, repealed 0; or Other Alternative Rule Making: New 0, amended 0, repealed 0.

Effective Date of Rule: Thirty-one days after filing.

August 20, 1997
 Joseph H. Faubion
 Executive Secretary

WSR 97-18-014
PERMANENT RULES
SECRETARY OF STATE
 [Filed August 25, 1997, 10:02 a.m.]

Date of Adoption: June 30, 1997.

Purpose: To allow county auditors to be exempted from submitting voter registration signature cards if certain requirements are met.

Statutory Authority for Adoption: RCW 20.04.080 and 29.07.120.

Adopted under notice filed as WSR 97-09-099 on April 23, 1997.

Number of Sections Adopted in Order to Comply with Federal Statute: New 0, amended 0, repealed 0; Federal Rules or Standards: New 0, amended 0, repealed 0; or Recently Enacted State Statutes: New 0, amended 0, repealed 0.

Number of Sections Adopted at Request of a Nongovernmental Entity: New 0, amended 0, repealed 0.

Number of Sections Adopted on the Agency's own Initiative: New 1, amended 0, repealed 0.

Number of Sections Adopted in Order to Clarify, Streamline, or Reform Agency Procedures: New 1, amended 0, repealed 0.

Number of Sections Adopted using Negotiated Rule Making: New 0, amended 0, repealed 0; Pilot Rule Making: New 0, amended 0, repealed 0; or Other Alternative Rule Making: New 0, amended 0, repealed 0.

Effective Date of Rule: Thirty-one days after filing.

August 25, 1997
 Donald F. Whiting
 Assistant Secretary of State

NEW SECTION

WAC 434-24-065 Exemption of transmittal of signature cards to the secretary of state. Pursuant to the requirements of RCW 29.07.120, a county auditor shall be exempted from transmitting voter registration cards required by RCW 29.07.090 and 29.10.100, by providing the secretary of state access to electronic voter registration and electronic voter signature information, provided that access to the electronic data shall meet the specifications defined by the secretary of state and agreed to by the county auditor through interlocal agreement. If access to the electronic data is suspended by the county auditor, the county auditor shall provide a complete alphabetical copy of all voter registration records in that county. The records shall contain the voter's name, date of registration, voter registration number, and a facsimile of the voter's signature. The office of the county auditor shall pay for all costs incurred by the secretary of state in reestablishing a voter registration card file system.

WSR 97-18-019
PERMANENT RULES
DEPARTMENT OF
FISH AND WILDLIFE
 (Wildlife)

[Order 97-167—Filed August 25, 1997, 4:41 p.m.]

Date of Adoption: August 9, 1997.

Purpose: To amend WAC 232-12-011 Wildlife classified as protected shall not be hunted or fished and WAC 232-12-014 Wildlife classified as endangered species.

Citation of Existing Rules Affected by this Order: Amending WAC 232-12-011 and 232-12-014.

Statutory Authority for Adoption: RCW 77.12.020.

Adopted under notice filed as WSR 97-14-090 on July 2, 1997.

Number of Sections Adopted in Order to Comply with Federal Statute: New 0, amended 0, repealed 0; Federal Rules or Standards: New 0, amended 0, repealed 0; or Recently Enacted State Statutes: New 0, amended 0, repealed 0.

Number of Sections Adopted at Request of a Nongovernmental Entity: New 0, amended 0, repealed 0.

Number of Sections Adopted on the Agency's own Initiative: New 0, amended 2, repealed 0.

Number of Sections Adopted in Order to Clarify, Streamline, or Reform Agency Procedures: New 0, amended 0, repealed 0.

Number of Sections Adopted using Negotiated Rule Making: New 0, amended 0, repealed 0; Pilot Rule Making: New 0, amended 0, repealed 0; or Other Alternative Rule Making: New 0, amended 0, repealed 0.

Effective Date of Rule: Thirty-one days after filing.
 August 21, 1997
 Lisa Pelly, Chair
 Fish and Wildlife Commission

AMENDATORY SECTION [(Amending WSR 97-12-048, filed 6/2/97, effective 7/3/97)]

WAC 232-12-011 Wildlife classified as protected shall not be hunted or fished. Protected wildlife are designated into three subcategories: Threatened, sensitive, and other.

(1) Threatened species are any wildlife species native to the state of Washington that are likely to become endangered within the foreseeable future throughout a significant portion of their range within the state without cooperative management or removal of threats. Protected wildlife designated as threatened include:

Common Name	Scientific Name
western gray squirrel	<i>Sciurus griseus</i>
Steller (northern) sea lion	<i>Eumetopias jubatus</i>
North American lynx	<i>Lynx canadensis</i>
<u>Aleutian Canada goose</u>	<u><i>Branta canadensis leucopareia</i></u>
bald eagle	<i>Haliaeetus leucocephalus</i>
ferruginous hawk	<i>Buteo regalis</i>
marbled murrelet	<i>Brachyramphus marmoratus</i>
green sea turtle	<i>Chelonia mydas</i>
loggerhead sea turtle	<i>Caretta caretta</i>

(2) Sensitive species are any wildlife species native to the state of Washington that are vulnerable or declining and are likely to become endangered or threatened in a significant portion of their range within the state without cooperative management or removal of threats. Protected wildlife designated as sensitive include:

Common Name	Scientific Name
<u>Gray whale</u>	<u><i>Eschrichtius gibbosus</i></u>
Larch Mountain salamander	<i>Plethodon larselli</i>

(3) Other protected wildlife include:

Common Name	Scientific Name
cony or pika	<i>Ochotona princeps</i>
least chipmunk	<i>Tamias minimus</i>
yellow-pine chipmunk	<i>Tamias amoenus</i>
Townsend's chipmunk	<i>Tamias townsendii</i>
red-tailed chipmunk	<i>Tamias ruficaudus</i>
hoary marmot	<i>Marmota caligata</i>
Olympic marmot	<i>Marmota olympus</i>
Cascade golden-mantled ground squirrel	<i>Spermophilus saturatus</i>
golden-mantled ground squirrel	<i>Spermophilus lateralis</i>

Washington ground squirrel
 red squirrel
 Douglas squirrel
 northern flying squirrel
 fisher
 wolverine
 painted turtle
 California mountain kingsnake

Spermophilus washingtoni
Tamiasciurus hudsonicus
Tamiasciurus douglasii

Glaucomys sabrinus
Martes pennanti
Gulo gulo
Chrysemys picta

Lampropeltis zonata;

all birds not classified as game birds, predatory birds or endangered species, or designated as threatened species or sensitive species; all bats, except when found in or immediately adjacent to a dwelling or other occupied building; mammals of the order *Cetacea*, including whales, porpoises, and mammals of the order *Pinnipedia* not otherwise classified as endangered species, or designated as threatened species or sensitive species. This section shall not apply to hair seals and sea lions which are threatening to damage or are damaging commercial fishing gear being utilized in a lawful manner or when said mammals are damaging or threatening to damage commercial fish being lawfully taken with commercial gear.

Reviser's note: The bracketed material preceding the section above was supplied by the code reviser's office.

AMENDATORY SECTION [(Amending Order 616, filed 10/14/93, effective 11/14/93)]

WAC 232-12-014 Wildlife classified as endangered species. Endangered species include:

<u>Common Name</u>	<u>Scientific Name</u>
pygmy rabbit	<i>Brachylagus idahoensis</i>
gray wolf	<i>Canis lupus</i>
grizzly bear	<i>Ursus arctos</i>
sea otter	<i>Enhydra lutris</i>
((gray whale))	((<i>Eschrichtius robustus</i>))
sei whale	<i>Balaenoptera borealis</i>
fin whale	<i>Balaenoptera physalus</i>
blue whale	<i>Balaenoptera musculus</i>
humpback whale	<i>Megaptera novaeangliae</i>
black right whale	<i>Balaena glacialis</i>
sperm whale	<i>Physeter macrocephalus</i>
Columbian white-tailed deer	<i>Odocoileus virginianus leucurus</i>
woodland caribou	<i>Rangifer tarandus caribou</i>
American white pelican	<i>Pelecanus erythrorhynchos</i>
brown pelican	<i>Pelecanus occidentalis</i>
((Aleutian Canada goose))	((<i>Branta canadensis leucopareia</i>))
peregrine falcon	<i>Falco peregrinus</i>
sandhill crane	<i>Grus canadensis</i>
snowy plover	<i>Charadrius alexandrinus</i>
upland sandpiper	<i>Bartramia longicauda</i>
spotted owl	<i>Strix occidentalis</i>
western pond turtle	<i>Clemmys marmorata</i>
leatherback sea turtle	<i>Dermochelys coriacea</i>
Oregon silverspot butterfly	<i>Speyeria zerene hippolyta</i>
<u>Oregon spotted frog</u>	<u><i>Rana pretiosa</i></u>

PERMANENT

Reviser's note: The bracketed material preceding the section above was supplied by the code reviser's office.

WSR 97-18-020
PERMANENT RULES
DEPARTMENT OF
FISH AND WILDLIFE
 (Wildlife)

[Order 97-168—Filed August 25, 1997, 4:43 p.m.]

Date of Adoption: August 9, 1997.

Purpose: To amend WAC 232-12-061 Tagging requirements.

Citation of Existing Rules Affected by this Order: Amending WAC 232-12-061.

Statutory Authority for Adoption: RCW 77.12.040.

Adopted under notice filed as WSR 97-14-091 on July 2, 1997.

Changes Other than Editing from Proposed to Adopted Version: The adopted version of WAC 232-12-061 differs from the proposed version filed with the code reviser in the following specifics:

1. The period (.) at the end of the first sentence is replaced with a comma (,), and the underlined sentence is modified to read "species((-)), except for black bear or cougar, where for purposes of achieving species harvest management goals, the fish and wildlife commission determines that tags are not required for these two big game animals."

Number of Sections Adopted in Order to Comply with Federal Statute: New 0, amended 0, repealed 0; Federal Rules or Standards: New 0, amended 0, repealed 0; or Recently Enacted State Statutes: New 0, amended 0, repealed 0.

Number of Sections Adopted at Request of a Nongovernmental Entity: New 0, amended 0, repealed 0.

Number of Sections Adopted on the Agency's own Initiative: New 0, amended 1, repealed 0.

Number of Sections Adopted in Order to Clarify, Streamline, or Reform Agency Procedures: New 0, amended 0, repealed 0.

Number of Sections Adopted using Negotiated Rule Making: New 0, amended 0, repealed 0; Pilot Rule Making: New 0, amended 0, repealed 0; or Other Alternative Rule Making: New 0, amended 0, repealed 0.

Effective Date of Rule: Thirty-one days after filing.

August 21, 1997

Lisa Pelly, Chair
 Fish and Wildlife Commission

AMENDATORY SECTION [(Amending Order 174, filed 10/22/81)]

WAC 232-12-061 Tagging requirements. It is unlawful for a person who kills a big game animal or turkey to fail to immediately cut out and completely remove from their tag the designated notches corresponding to the day and month of the kill for that species((-)), except for black bear or cougar, where for purposes of achieving species harvest management goals, the fish and wildlife commission determines that tags are not required for these two big game animals. A person who kills such animal or bird, shall

immediately attach their notched tag to the carcass of such animal or bird. That tag must remain attached to the carcass while it is being transported and must remain with the wildlife during the period of retention of the edible parts.

Reviser's note: The bracketed material preceding the section above was supplied by the code reviser's office.

WSR 97-18-021
PERMANENT RULES
DEPARTMENT OF
FISH AND WILDLIFE
 (Wildlife)

[Order 97-166—Filed August 25, 1997, 4:45 p.m.]

Date of Adoption: August 9, 1997.

Purpose: To amend WAC 232-28-264 1997-98, 1998-99, 1999-2000 Official hunting hours and small game seasons.

Citation of Existing Rules Affected by this Order: Amending WAC 232-28-264.

Statutory Authority for Adoption: RCW 77.12.040.

Adopted under notice filed as WSR 97-14-095 on July 2, 1997.

Changes Other than Editing from Proposed to Adopted Version: The adopted version of WAC 232-28-264 differs from the proposed version filed with the code reviser in the following specifics:

1. Pages 1-6, exception 2, "Clark (except areas south of the Washougal River), Cowlitz, Pacific, and Wahkiakum counties . . ."

Number of Sections Adopted in Order to Comply with Federal Statute: New 0, amended 0, repealed 0; Federal Rules or Standards: New 0, amended 0, repealed 0; or Recently Enacted State Statutes: New 0, amended 0, repealed 0.

Number of Sections Adopted at Request of a Nongovernmental Entity: New 0, amended 0, repealed 0.

Number of Sections Adopted on the Agency's own Initiative: New 0, amended 1, repealed 0.

Number of Sections Adopted in Order to Clarify, Streamline, or Reform Agency Procedures: New 0, amended 0, repealed 0.

Number of Sections Adopted using Negotiated Rule Making: New 0, amended 0, repealed 0; Pilot Rule Making: New 0, amended 0, repealed 0; or Other Alternative Rule Making: New 0, amended 0, repealed 0.

Effective Date of Rule: Thirty-one days after filing.

August 21, 1997

Lisa Pelly, Chair
 Fish and Wildlife Commission

AMENDATORY SECTION [(Amending Order 97-28, filed 2/27/97, effective 3/30/97)]

WAC 232-28-264 1997-98, 1998-99, and 1999-2000 Official hunting hours and small game seasons.

1997-98 OFFICIAL HUNTING HOURS
FOR MIGRATORY GAME BIRDS, UPLAND BIRDS, AND WILD TURKEYS*

September 1, 1997 to January 31, 1998

Dates (Inclusive)				Daylight Savings Time		Western Washington from		Eastern Washington from	
				A.M.	P.M.	A.M.	P.M.	A.M.	P.M.
Mon.	Sept. 1	-	Sun.	Sept. 7	6:00	7:45	5:50	7:30	
Mon.	Sept. 8	-	Sun.	Sept. 14	6:10	7:30	6:00	7:20	
Mon.	Sept. 15	-	Sun.	Sept. 21	6:20	7:15	6:10	7:05	
Mon.	Sept. 22	-	Sun.	Sept. 28	6:30	7:00	6:15	6:50	
Mon.	Sept. 29	-	Sun.	Oct. 5	6:40	6:45	6:30	6:35	
Mon.	Oct. 6	-	Fri.	Oct. 10	6:45	6:30	6:35	6:25	
((Opening Weekend**))				Oct. 11**	Sat.	6:50**	6:30	6:40**	6:15
	Oct. 12		Sun.		6:50	6:30	6:40	6:15	
Mon.	Oct. 13	-	Sun.	Oct. 19	7:00	6:20	6:50	6:10	
Mon.	Oct. 20	-	Sat.	Oct. 25	7:10	6:10	7:00	5:55	
Pacific Standard Time									
			Sun.	Oct. 26	6:15	5:00	6:00	4:50	
Mon.	Oct. 27	-	Sun.	Nov. 2	6:20	4:55	6:15	4:45	
Mon.	Nov. 3	-	Sun.	Nov. 9	6:30	4:45	6:20	4:30	
Mon.	Nov. 10	-	Sun.	Nov. 16	6:40	4:35	6:30	4:25	
Mon.	Nov. 17	-	Sun.	Nov. 23	6:50	4:30	6:40	4:15	
Mon.	Nov. 24	-	Sun.	Nov. 30	7:00	4:20	6:50	4:10	
Mon.	Dec. 1	-	Sun.	Dec. 7	7:10	4:20	7:00	4:10	
Mon.	Dec. 8	-	Sun.	Dec. 14	7:15	4:20	7:05	4:05	
Mon.	Dec. 15	-	Sun.	Dec. 21	7:20	4:20	7:10	4:10	
Mon.	Dec. 22	-	Sun.	Dec. 28	7:25	4:25	7:15	4:10	
Mon.	Dec. 29	-	Sun.	Jan. 4	7:25	4:30	7:15	4:15	
Mon.	Jan. 5	-	Sun.	Jan. 11	7:25	4:35	7:15	4:25	
Mon.	Jan. 12	-	Sun.	Jan. 18	7:25	4:45	7:10	4:35	
Mon.	Jan. 19	-	Sun.	Jan. 25	7:20	4:55	7:05	4:45	
Mon.	Jan. 26	-	Sat.	Jan. 31	7:10	5:00	7:00	4:50	

*These are lawful hunting hours (one-half hour before sunrise to sunset) for migratory game birds (duck, goose, coot, snipe, mourning dove, and band-tailed pigeon); upland birds (pheasant, quail, partridge); and turkey during established seasons.

**Pheasant/quail ((⊖)) opening ((⊕)) day (Oct. 11, 1997; Oct. 17, 1998; and Oct. 16, 1999) - In Eastern Washington, pheasant((⊖)) and quail((⊕)) seasons open at noon. ((In Western Washington, pheasant, quail, duck, goose, coot, and snipe seasons open at 8:00 a.m.))

Exceptions:

- 1) Western Washington - Pheasant and quail hunting hours are 8:00 a.m. to 4:00 p.m. in all areas.
- 2) Clark (except areas south of the Washougal River), Cowlitz, Pacific, and Wahkiakum counties - Goose hunting hours are 8:00 a.m. to 4:00 p.m. November-January; and 7:00 a.m. to 4:00 p.m. February-March.
- 3) Bobcat and raccoon are exempt from hunting hour restrictions during established bobcat and raccoon seasons except when that area is open to modern firearm hunting of deer or elk, hunting hours shall be one-half hour before sunrise to one-half hour after sunset.
- 4) Hunting hours for falconry seasons (except migratory game bird seasons) are exempt from these hunting hours, except on designated pheasant release sites.

1998-99 OFFICIAL HUNTING HOURS
FOR MIGRATORY GAME BIRDS, UPLAND BIRDS, AND WILD TURKEYS*
September 1, 1998 to January 31, 1999

Dates (Inclusive)				Daylight Savings Time		Western Washington from		Eastern Washington from	
				A.M.	P.M.	A.M.	P.M.	A.M.	P.M.
Tues.	Sept. 1	-	Sun.	Sept. 6	6:00	7:45	5:50	7:35	
Mon.	Sept. 7	-	Sun.	Sept. 13	6:10	7:35	6:00	7:20	
Mon.	Sept. 14	-	Sun.	Sept. 20	6:20	7:20	6:05	7:05	

PERMANENT

Mon.	Sept. 21	-	Sun.	Sept. 27	6:30	7:05	6:15	6:50
Mon.	Sept. 28	-	Sun.	Oct. 4	6:40	6:50	6:25	6:35
Mon.	Oct. 5	-	Sun.	Oct. 11	6:45	6:35	6:25	6:25
Mon.	Oct. 12	-	Fri.	Oct. 16	6:55	6:20	6:45	6:10
Opening	Oct. 17**		Sat.		8:00	6:20	Noon	6:05
Weekend**	Oct. 18		Sun.		6:55	6:20	6:45	6:05
Mon.	Oct. 19	-	Sat.	Oct. 24	7:05	6:10	6:55	6:00

Pacific Standard Time

			Sun.	Oct. 25	6:10	5:00	6:00	4:50
Mon.	Oct. 26	-	Sun.	Nov. 1	6:20	4:55	6:05	4:45
Mon.	Nov. 2	-	Sun.	Nov. 8	6:30	4:45	6:15	4:35
Mon.	Nov. 9	-	Sun.	Nov. 15	6:40	4:35	6:30	4:25
Mon.	Nov. 16	-	Sun.	Nov. 22	6:50	4:30	6:40	4:15
Mon.	Nov. 23	-	Sun.	Nov. 29	7:00	4:25	6:50	4:10
Mon.	Nov. 30	-	Sun.	Dec. 6	7:10	4:20	6:55	4:10
Mon.	Dec. 7	-	Sun.	Dec. 13	7:15	4:20	7:05	4:05
Mon.	Dec. 14	-	Sun.	Dec. 20	7:20	4:20	7:10	4:10
Mon.	Dec. 21	-	Sun.	Dec. 27	7:25	4:20	7:15	4:10
Mon.	Dec. 28	-	Sun.	Jan. 3	7:25	4:30	7:15	4:15
Mon.	Jan. 4	-	Sun.	Jan. 10	7:25	4:35	7:15	4:25
Mon.	Jan. 11	-	Sun.	Jan. 17	7:25	4:45	7:10	4:30
Mon.	Jan. 18	-	Sun.	Jan. 24	7:20	4:55	7:05	4:40
Mon.	Jan. 25	-	Sat.	Jan. 31	7:10	5:00	7:00	4:50

*These are lawful hunting hours (one-half hour before sunrise to sunset) for migratory game birds (duck, goose, coot, snipe, mourning dove, and band-tailed pigeon); upland birds (pheasant, quail, partridge); and turkey during established seasons.

**Opening Day (Oct. 11, 1997; Oct. 17, 1998; and Oct. 16, 1999) - In Eastern Washington, pheasant, quail, duck, goose, coot, and snipe seasons open at noon. In Western Washington, pheasant, quail, duck, goose, coot, and snipe seasons open at 8:00 a.m.

Exceptions:

- 1) Western Washington - Pheasant and quail hunting hours are 8:00 a.m. to 4:00 p.m. in all areas.
- 2) Clark (except areas south of the Washougal River), Cowlitz, Pacific, and Wahkiakum counties - Goose hunting hours are 8:00 a.m. to 4:00 p.m. November-January; and 7:00 a.m. to 4:00 p.m. February-March.
- 3) Bobcat and raccoon are exempt from hunting hour restrictions during established bobcat and raccoon seasons except when that area is open to modern firearm hunting of deer or elk, hunting hours shall be one-half hour before sunrise to one-half hour after sunset.
- 4) Hunting hours for falconry seasons (except migratory game bird seasons) are exempt from these hunting hours, except on designated pheasant release sites.

1999-2000 OFFICIAL HUNTING HOURS
FOR MIGRATORY GAME BIRDS, UPLAND BIRDS, AND WILD TURKEYS*
September 1, 1999 to January 31, 2000

				Western Washington from		Eastern Washington from		
Dates (Inclusive)				A.M.	to P.M.	A.M.	to P.M.	
Daylight Savings Time								
Wed.	Sept. 1	-	Sun.	Sept. 5	6:00	7:45	5:45	7:35
Mon.	Sept. 6	-	Sun.	Sept. 12	6:05	7:35	5:50	7:20
Mon.	Sept. 13	-	Sun.	Sept. 19	6:15	7:20	6:05	7:10
Mon.	Sept. 20	-	Sun.	Sept. 26	6:25	7:10	6:15	6:50
Mon.	Sept. 27	-	Sun.	Oct. 3	6:35	6:50	6:25	6:40
Mon.	Oct. 4	-	Sun.	Oct. 10	6:45	6:40	6:35	6:25
Mon.	Oct. 11	-	Fri.	Oct. 15	6:50	6:25	6:45	6:15
Opening	Oct. 16**		Sat.		8:00	6:25	Noon	6:15
Weekend**	Oct. 17		Sun.		6:50	6:25	6:45	6:15
Mon.	Oct. 18	-	Sun.	Oct. 24	7:05	6:15	6:55	6:00
Mon.	Oct. 25	-	Sat.	Oct. 30	7:15	6:00	7:05	5:45
Pacific Standard Time								
Sun.	Oct. 31	-	Sun.	Nov. 7	6:25	4:45	6:15	4:35
Mon.	Nov. 8	-	Sun.	Nov. 14	6:35	4:40	6:25	4:25
Mon.	Nov. 15	-	Sun.	Nov. 21	6:50	4:30	6:35	4:20

Mon.	Nov. 22	-	Sun.	Nov. 28	7:00	4:25	6:45	4:10
Mon.	Nov. 29	-	Sun.	Dec. 5	7:05	4:20	6:50	4:10
Mon.	Dec. 6	-	Sun.	Dec. 12	7:10	4:20	7:00	4:05
Mon.	Dec. 13	-	Sun.	Dec. 19	7:20	4:20	7:05	4:05
Mon.	Dec. 20	-	Sun.	Dec. 26	7:25	4:25	7:10	4:10
Mon.	Dec. 27	-	Sun.	Jan. 2	7:30	4:25	7:15	4:15
Mon.	Jan. 3	-	Sun.	Jan. 9	7:30	4:35	7:15	4:20
Mon.	Jan. 10	-	Sun.	Jan. 16	7:25	4:40	7:10	4:30
Mon.	Jan. 17	-	Sun.	Jan. 23	7:20	4:50	7:05	4:45
Mon.	Jan. 24	-	Mon.	Jan. 31	7:15	5:00	7:00	4:50

*These are lawful hunting hours (one-half hour before sunrise to sunset) for migratory game birds (duck, goose, coot, snipe, mourning dove, and band-tailed pigeon); upland birds (pheasant, quail, partridge); and turkey during established seasons.

**Opening Day (Oct. 11, 1997; Oct. 17, 1998; and Oct. 16, 1999) - In Eastern Washington, pheasant, quail, duck, goose, coot, and snipe seasons open at noon. In Western Washington, pheasant, quail, duck, goose, coot, and snipe seasons open at 8:00 a.m.

Exceptions:

- 1) Western Washington - Pheasant and quail hunting hours are 8:00 a.m. to 4:00 p.m. in all areas.
- 2) Clark (except areas south of the Washougal River), Cowlitz, Pacific, and Wahkiakum counties - Goose hunting hours are 8:00 a.m. to 4:00 p.m. November-January; and 7:00 a.m. to 4:00 p.m. February-March.
- 3) Bobcat and raccoon are exempt from hunting hour restrictions during established bobcat and raccoon seasons except when that area is open to modern firearm hunting of deer or elk, hunting hours shall be one-half hour before sunrise to one-half hour after sunset.
- 4) Hunting hours for falconry seasons (except migratory game bird seasons) are exempt from these hunting hours, except on designated pheasant release sites.

1997-1998 OFFICIAL HUNTING HOURS
FOR GAME ANIMALS & GAME BIRDS (EXCEPT MIGRATORY AND UPLAND GAME BIRDS)*
September 1, 1997 to January 31, 1998

Dates (Inclusive)	Daylight Savings Time		Western Washington from		Eastern Washington from	
	A.M.	P.M.	A.M.	P.M.	A.M.	P.M.
Mon. Sept. 1 - Sun. Sept. 7	6:00	8:15	5:50	8:00		
Mon. Sept. 8 - Sun. Sept. 14	6:10	8:00	6:00	7:50		
Mon. Sept. 15 - Sun. Sept. 21	6:20	7:45	6:10	7:35		
Mon. Sept. 22 - Sun. Sept. 28	6:30	7:30	6:15	7:20		
Mon. Sept. 29 - Sun. Oct. 5	6:40	7:15	6:30	7:05		
Mon. Oct. 6 - Fri. Oct. 10	6:45	7:00	6:35	6:55		
((Opening Weekend**)) Oct. 11** - Sat. Oct. 12	6:50**	7:00	6:40**	6:45		
Mon. Oct. 13 - Sun. Oct. 19	6:50	7:00	6:40	6:45		
Mon. Oct. 20 - Sat. Oct. 25	7:00	6:50	6:50	6:40		
	Pacific Standard Time					
Mon. Oct. 27 - Sun. Oct. 26	6:15	5:30	6:00	5:20		
Mon. Nov. 3 - Sun. Nov. 2	6:20	5:25	6:15	5:15		
Mon. Nov. 10 - Sun. Nov. 9	6:30	5:15	6:20	5:00		
Mon. Nov. 17 - Sun. Nov. 16	6:40	5:05	6:30	4:55		
Mon. Nov. 24 - Sun. Nov. 23	6:50	5:00	6:40	4:45		
Mon. Dec. 1 - Sun. Nov. 30	7:00	4:50	6:50	4:40		
Mon. Dec. 8 - Sun. Dec. 7	7:10	4:50	7:00	4:40		
Mon. Dec. 15 - Sun. Dec. 14	7:15	4:50	7:05	4:35		
Mon. Dec. 22 - Sun. Dec. 21	7:20	4:50	7:10	4:40		
Mon. Dec. 29 - Sun. Dec. 28	7:25	4:55	7:15	4:40		
Mon. Jan. 5 - Sun. Jan. 4	7:25	5:00	7:15	4:45		
Mon. Jan. 12 - Sun. Jan. 11	7:25	5:05	7:15	4:55		
Mon. Jan. 19 - Sun. Jan. 18	7:25	5:15	7:10	5:05		
Mon. Jan. 26 - Sat. Jan. 25	7:20	5:25	7:05	5:15		
Mon. Jan. 26 - Sat. Jan. 31	7:10	5:30	7:00	5:20		

*These are lawful hunting hours (one-half hour before sunrise to sunset) for migratory game birds (duck, goose, coot, snipe, mourning dove, and band-tailed pigeon and turkey during established seasons.

PERMANENT

****Pheasant/quail ((⊖))opening ((⊕))day (Oct. 11, 1997; Oct. 17, 1998; and Oct. 16, 1999) - In Eastern Washington, pheasant((⊖)) and quail((⊖, duck, goose, coot, and snipe)) seasons open at noon. ((In Western Washington, pheasant, quail, duck, goose, coot, and snipe seasons open at 8:00 a.m.))**

Exceptions:

- 1) Western Washington - Pheasant and quail hunting hours are 8:00 a.m. to 4:00 p.m. in all areas.
- 2) Clark (except areas south of the Washougal River), Cowlitz, Pacific, and Wahkiakum counties - Goose hunting hours are 8:00 a.m. to 4:00 p.m. November-January; and 7:00 a.m. to 4:00 p.m. February-March.
- 3) Bobcat and raccoon are exempt from hunting hour restrictions during established bobcat and raccoon seasons except when that area is open to modern firearm hunting of deer or elk, hunting hours shall be one-half hour before sunrise to one-half hour after sunset.
- 4) Hunting hours for falconry seasons (except migratory game bird seasons) are exempt from these hunting hours, except on designated pheasant release sites.

1998-1999 OFFICIAL HUNTING HOURS
FOR GAME ANIMALS & GAME BIRDS (EXCEPT MIGRATORY AND UPLAND GAME BIRDS)*
September 1, 1998 to January 31, 1999

Dates (Inclusive)				Western Washington from		Eastern Washington from		
				A.M.	P.M.	A.M.	P.M.	
Daylight Savings Time								
Tues.	Sept. 1	-	Sun.	Sept. 6	6:00	8:15	5:50	8:05
Mon.	Sept. 7	-	Sun.	Sept. 13	6:10	8:05	6:00	7:50
Mon.	Sept. 14	-	Sun.	Sept. 20	6:20	7:50	6:05	7:35
Mon.	Sept. 21	-	Sun.	Sept. 27	6:30	7:35	6:15	7:20
Mon.	Sept. 28	-	Sun.	Oct. 4	6:40	7:20	6:25	7:05
Mon.	Oct. 5	-	Sun.	Oct. 11	6:45	7:05	6:25	6:55
Mon.	Oct. 12	-	Fri.	Oct. 16	6:55	6:50	6:45	6:40
Opening	Oct. 17**		Sat.		6:55**	6:50	6:45**	6:35
Weekend**	Oct. 18		Sun.		6:55	6:50	6:45	6:35
Mon.	Oct. 19	-	Sat.	Oct. 24	7:05	6:40	6:55	6:30
Pacific Standard Time								
			Sun.	Oct. 25	6:10	5:30	6:00	5:20
Mon.	Oct. 26	-	Sun.	Nov. 1	6:20	5:25	6:05	5:15
Mon.	Nov. 2	-	Sun.	Nov. 8	6:30	5:15	6:15	5:05
Mon.	Nov. 9	-	Sun.	Nov. 15	6:40	5:05	6:30	4:55
Mon.	Nov. 16	-	Sun.	Nov. 22	6:50	5:00	6:40	4:45
Mon.	Nov. 23	-	Sun.	Nov. 29	7:00	4:55	6:50	4:40
Mon.	Nov. 30	-	Sun.	Dec. 6	7:10	4:50	6:55	4:40
Mon.	Dec. 7	-	Sun.	Dec. 13	7:15	4:50	7:05	4:35
Mon.	Dec. 14	-	Sun.	Dec. 20	7:20	4:50	7:10	4:40
Mon.	Dec. 21	-	Sun.	Dec. 27	7:25	4:50	7:15	4:40
Mon.	Dec. 28	-	Sun.	Jan. 3	7:25	5:00	7:15	4:45
Mon.	Jan. 4	-	Sun.	Jan. 10	7:25	5:05	7:15	4:55
Mon.	Jan. 11	-	Sun.	Jan. 17	7:25	5:15	7:10	5:00
Mon.	Jan. 18	-	Sun.	Jan. 24	7:20	5:25	7:05	5:10
Mon.	Jan. 25	-	Sat.	Jan. 31	7:10	5:30	7:00	5:20

*These are lawful hunting hours (one-half hour before sunrise to one-half hour after sunset) for all game animals and game birds (except duck, goose, coot, snipe, mourning dove, band-tailed pigeon, pheasant, quail, partridge and turkey) during established seasons.

**Opening Day (Oct. 11, 1997; Oct. 17, 1998; and Oct. 16, 1999) - In Eastern Washington, pheasant, quail, duck, goose, coot, and snipe seasons open at noon. In Western Washington, pheasant, quail, duck, goose, coot, and snipe seasons open at 8:00 a.m.

Exceptions:

- 1) Western Washington - Pheasant and quail hunting hours are 8:00 a.m. to 4:00 p.m. in all areas.
- 2) Clark (except areas south of the Washougal River), Cowlitz, Pacific, and Wahkiakum counties - Goose hunting hours are 8:00 a.m. to 4:00 p.m. November-January; and 7:00 a.m. to 4:00 p.m. February-March.
- 3) Bobcat and raccoon are exempt from hunting hour restrictions during established bobcat and raccoon seasons except when that area is open to modern firearm hunting of deer or elk, hunting hours shall be one-half hour before sunrise to one-half hour after sunset.

PERMANENT

- 4) Hunting hours for falconry seasons (except migratory game bird seasons) are exempt from these hunting hours, except on designated pheasant release sites.

1999-2000 OFFICIAL HUNTING HOURS
FOR GAME ANIMALS & GAME BIRDS (EXCEPT MIGRATORY AND UPLAND GAME BIRDS)*
September 1, 1999 to January 31, 2000

Dates (Inclusive)			Daylight Savings Time		Western Washington from		Eastern Washington from	
	A.M.	P.M.	A.M.	P.M.	A.M.	P.M.	A.M.	P.M.
Wed. Sept. 1 - Sun. Sept. 5	6:00	8:15	6:00	8:15	5:45	8:05	5:45	8:05
Mon. Sept. 6 - Sun. Sept. 12	6:05	8:05	6:05	8:05	5:50	7:50	5:50	7:50
Mon. Sept. 13 - Sun. Sept. 19	6:15	7:50	6:15	7:50	6:05	7:40	6:05	7:40
Mon. Sept. 20 - Sun. Sept. 26	6:25	7:40	6:25	7:40	6:15	7:20	6:15	7:20
Mon. Sept. 27 - Sun. Oct. 3	6:35	7:20	6:35	7:20	6:25	7:10	6:25	7:10
Mon. Oct. 4 - Sun. Oct. 10	6:45	7:10	6:45	7:10	6:35	6:55	6:35	6:55
Mon. Oct. 11 - Fri. Oct. 15	6:50	6:55	6:50	6:55	6:45	6:45	6:45	6:45
Opening Weekend** Oct. 16** - Oct. 17	6:50**	6:55	6:50**	6:55	6:45**	6:45	6:45**	6:45
Mon. Oct. 18 - Sun. Oct. 24	7:05	6:45	7:05	6:45	6:55	6:30	6:55	6:30
Mon. Oct. 25 - Sat. Oct. 30	7:15	6:30	7:15	6:30	7:05	6:15	7:05	6:15
			Pacific Standard Time					
Sun. Oct. 31 - Sun. Nov. 7	6:25	5:15	6:25	5:15	6:15	5:05	6:15	5:05
Mon. Nov. 8 - Sun. Nov. 14	6:35	5:10	6:35	5:10	6:25	4:55	6:25	4:55
Mon. Nov. 15 - Sun. Nov. 21	6:50	5:00	6:50	5:00	6:35	4:50	6:35	4:50
Mon. Nov. 22 - Sun. Nov. 28	7:00	4:55	7:00	4:55	6:45	4:40	6:45	4:40
Mon. Nov. 29 - Sun. Dec. 5	7:05	4:50	7:05	4:50	6:50	4:40	6:50	4:40
Mon. Dec. 6 - Sun. Dec. 12	7:10	4:50	7:10	4:50	7:00	4:35	7:00	4:35
Mon. Dec. 13 - Sun. Dec. 19	7:20	4:50	7:20	4:50	7:05	4:35	7:05	4:35
Mon. Dec. 20 - Sun. Dec. 26	7:25	4:55	7:25	4:55	7:10	4:40	7:10	4:40
Mon. Dec. 27 - Sun. Jan. 2	7:30	4:55	7:30	4:55	7:15	4:45	7:15	4:45
Mon. Jan. 3 - Sun. Jan. 9	7:30	5:05	7:30	5:05	7:15	4:50	7:15	4:50
Mon. Jan. 10 - Sun. Jan. 16	7:25	5:10	7:25	5:10	7:10	5:00	7:10	5:00
Mon. Jan. 17 - Sun. Jan. 23	7:20	5:20	7:20	5:20	7:05	5:15	7:05	5:15
Mon. Jan. 24 - Mon. Jan. 31	7:15	5:30	7:15	5:30	7:00	5:20	7:00	5:20

*These are lawful hunting hours (one-half hour before sunrise to one-half hour after sunset) for all game animals and game birds (except duck, goose, coot, snipe, mourning dove, band-tailed pigeon, pheasant, quail, partridge and turkey) during established seasons.

**Opening Day (Oct. 11, 1997; Oct. 17, 1998; and Oct. 16, 1999) - In Eastern Washington, pheasant, quail, duck, goose, coot, and snipe seasons open at noon. In Western Washington, pheasant, quail, duck, goose, coot, and snipe seasons open at 8:00 a.m.

Exceptions:

- 1) Western Washington - Pheasant and quail hunting hours are 8:00 a.m. to 4:00 p.m. in all areas.
- 2) Clark (except areas south of the Washougal River), Cowlitz, Pacific, and Wahkiakum counties - Goose hunting hours are 8:00 a.m. to 4:00 p.m. November-January; and 7:00 a.m. to 4:00 p.m. February-March.
- 3) Bobcat and raccoon are exempt from hunting hour restrictions during established bobcat and raccoon seasons except when that area is open to modern firearm hunting of deer or elk, hunting hours shall be one-half hour before sunrise to one-half hour after sunset.
- 4) Hunting hours for falconry seasons (except migratory game bird seasons) are exempt from these hunting hours, except on designated pheasant release sites.

Hound Hunting During Deer and Elk Hunting Seasons

It is unlawful to hunt any wildlife at night or wild animals with dogs (hounds) during the months of September, October, or November in any area open to a center-fire rifle deer or elk season. The use of hounds to hunt black bear, cougar, and bobcat is prohibited year around.

BOBCAT

Bag and Possession Limits: No Limit

OPEN SEASON: Statewide, except CLOSED in GMU 522.

Sept. 2, 1997-Mar. 15, 1998; Sept. 8, 1998-Mar. 15, 1999; Sept. 7, 1999-Mar. 15, 2000.

PERMANENT

RACCOON

Bag and Possession Limits: No Limit

OPEN SEASON: Statewide, except CLOSED on Long Island within Willapa National Wildlife Refuge and in GMU 522.

Sept. 2, 1997-Mar. 15, 1998; Sept. 8, 1998-Mar. 15, 1999; Sept. 7, 1999-Mar. 15, 2000.

FOX

Bag and Possession Limits: No Limit

OPEN SEASON: Statewide, except CLOSED within the exterior boundaries of the Mount Baker-Snoqualmie, Okanogan, Wenatchee, and Gifford Pinchot National Forests and GMUs 407, 410, and 522.

Sept. 2, 1997-Mar. 15, 1998; Sept. 8, 1998-Mar. 15, 1999; Sept. 7, 1999-Mar. 15, 2000.

COYOTE

Bag and Possession Limits: No Limit

OPEN SEASON: Statewide, year around except CLOSED in GMU 522 and CLOSED from September 15 to November 30 in the Pasayten Wilderness, GMUs 426 and 450, and those portions of GMUs 218, 304, and 448 within the external boundaries of the Mount Baker-Snoqualmie, Okanogan, and Wenatchee National Forests. However, coyote may only be killed and/or pursued with hounds during the following period: Sept. 2, 1997-Mar. 15, 1998; Sept. 8, 1998-Mar. 15, 1999; Sept. 7, 1999-Mar. 15, 2000; except coyote may be hunted year around with hounds in Grant, Adams, Benton, and Franklin counties.

FOREST GROUSE (BLUE, RUFFED, AND SPRUCE)

Bag and Possession Limits: Three (3) grouse per day, with a total of nine (9) grouse in possession at any time; straight or mixed bag.

Statewide: Sept. 1-Dec. 31 during 1997, 1998, and 1999; except CLOSED in GMU 522.

PTARMIGAN

Season closed statewide.

UPLAND BIRDS

Eastern Washington

Ring-necked Pheasant

Bag and Possession Limits: Three (3) cock pheasants per day, with a total of fifteen (15) cock pheasants in possession at any time.

Juvenile Season: Sept. 27 & 28, 1997; Oct. 3 & 4, 1998; Oct. 2 & 3, 1999 open only to juvenile hunters age 15 and under. Juvenile hunters must be accompanied by an adult of at least 18 years old who is not hunting.

Regular Season: Noon Oct. 11-Dec. 31, 1997; Noon Oct. 17-Dec. 31, 1998; Noon Oct. 16-Dec. 31, 1999.

Chukar Partridge

Bag and Possession Limits: Six (6) chukar per day, with a total of eighteen (18) chukar in possession at any time.

Regular Season: Oct. 1, 1997-Jan. 11, 1998; Oct. 1, 1998-Jan. 10, 1999; Oct. 1, 1999-Jan. 9, 2000.

Gray (Hungarian) Partridge

Bag and Possession Limits: Six (6) gray partridges per day, with a total of eighteen (18) gray partridges in possession at any time.

Regular Season: Oct. 1, 1997-Jan. 11, 1998; Oct. 1, 1998-Jan. 10, 1999; Oct. 1, 1999-Jan. 9, 2000.

Mountain Quail

Season closed throughout eastern Washington

Valley and Bobwhite Quail

Bag and Possession Limits: Ten (10) quail per day, with a total of thirty (30) quail in possession at any time, straight or mixed bag.

Juvenile Season: Sept. 27 & 28, 1997; Oct. 3 & 4, 1998; Oct. 2 & 3, 1999 open only to juvenile hunters age 15 and under. Juvenile hunters must be accompanied by an adult of at least 18 years old who is not hunting.

Regular Season: Noon Oct. 11, 1997-Jan. 11, 1998; Noon Oct. 17, 1998-Jan. 10, 1999; Noon Oct. 16, 1999-Jan. 9, 2000.

Yakama Indian Reservation: The 1997-98, 1998-99, 1999-2000 Upland Bird Seasons within the Yakama Indian Reservation shall be the same as the season established by the Yakama Indian Nation.

Western WashingtonRing-necked Pheasant

Bag and Possession Limits: Two (2) pheasants of either sex per day on designated release sites, EXCEPT two (2) cock pheasants per day on other than designated release sites, with a total of fifteen (15) pheasants in possession at any time.

Early season: Sept. 20-26, 1997; Sept. 26-Oct. 2, 1998; and Sept. 25-Oct. 1, 1999 for juvenile hunters under 15 and senior hunters 65 years of age or older. Juvenile hunters must be accompanied by an adult.

Sept. 27-Nov. 30, 1997; Oct. 3-Nov. 30, 1998; and Oct. 2-Nov. 30, 1999; 8 a.m. to 4 p.m.; except Dungeness Recreation site (Clallam County) starting Oct. 11, 1997; Oct. 17, 1998; Oct. 16, 1999; except CLOSED in GMU 522.

A Western Washington Upland Bird Permit is required to hunt pheasant, quail, and partridge in western Washington, in addition to a current hunting license. Pheasant kills only must be recorded. Upon taking a pheasant, the holder of a Western Washington Upland Bird Permit must immediately enter on the corresponding space the date and location of kill.

There are three options available for the 1997, 1998, 1999 hunting season:

- (1) Full Season Option: Allows the harvest of ten (10) pheasants.
- (2) Juvenile (under 15): Allows the harvest of six (6) pheasants.
- (3) 2-Day Option: Allows the harvest of four (4) pheasants during two consecutive days.

Every person possessing a Western Washington Upland Bird Permit must by December 31, return the permit to the Department of Fish and Wildlife. The number of permits purchased per year is not limited. Hunters may only possess one valid permit at a time.

A hunter shall select one valid option at the time they purchase their Western Washington Upland Bird Permit.

Special Restriction: Non-toxic shot must be used in a shotgun to hunt pheasant on the Skagit Wildlife Area. Hunting is restricted on weekend mornings at Lake Terrell (all units including ARCO and INTELCO), Tennant Lake, Snoqualmie (including Stillwater, Cherry Valley, and Two Rivers segments) and Skagit (including headquarters and Smith Farm segments) Skookumchuck and Scatter Creek wildlife areas. Only hunters with Western Washington Upland Bird Permits marked "odd" may hunt these sites from 8:00 a.m. until 10:00 a.m. on odd numbered weekend days. Only hunters with Western Washington Upland Bird Permits marked "even" may hunt these sites from 8:00 a.m. until 10:00 a.m. on even numbered weekend days. Hunters that select the two day option, senior hunters 65 years of age or older, and juvenile hunters 14 years of age or younger may hunt during either weekend day morning. Juvenile hunters must be accompanied by an adult with an appropriately marked upland bird permit.

Mountain Quail

Bag and Possession Limits: Two (2) mountain quail per day, with a total of four (4) mountain quail in possession at any time.

Oct. 11-Nov. 30, 1997; Oct. 17-Nov. 30, 1998; Oct. 16-Nov. 30, 1999. except CLOSED in GMU 522.

Valley and Bobwhite Quail

Bag and Possession Limits: Ten (10) valley or bobwhite quail per day, with a total of thirty (30) valley or bobwhite quail in possession at any time; straight or mixed bag.

Oct. 11-Nov. 30, 1997; Oct. 17-Nov. 30, 1998; Oct. 16-Nov. 30, 1999; except CLOSED in GMU 522.

TURKEY

Spring Season

Gobblers and Turkeys with Visible Beards Only.

Statewide: April 15-May 15, 1997; April 15-May 15, 1998; and April 15-May 15, 1999.

Fall Season

Either Sex

Klickitat and Skamania counties: Nov. 27-Dec. 1, 1997; Nov. 26-30, 1998; Nov. 25-29, 1999.

Asotin, Columbia, Garfield, and Walla Walla counties: Nov. 27-Dec. 1, 1997; Nov. 26-30, 1998; Nov. 25-29, 1999. Only hunters that successfully complete the Department of Fish and Wildlife's Advanced Hunter Education (AHE) program will be eligible to hunt turkeys during this season. A certification card will be issued to all AHE graduates and must be in possession in addition to a valid hunting license and turkey tag while hunting in this area.

OFFICIAL HUNTING HOURS/BAG LIMITS:

Bag and Possession Limit: One turkey per day, with a total of three (3) per year; only one turkey from each subspecies may be killed per year in 1997, 1998 and 1999; Subspecies are defined by county of kill.

Eastern Wild Turkey: All of western Washington excluding Skamania and Klickitat counties.

Rio Grande Wild Turkey: All of eastern Washington excluding Klickitat, Ferry, Pend Oreille, and Stevens counties.

Merriam's Wild Turkey: Skamania, Klickitat, Pend Oreille, Ferry and Stevens counties.

Tag Sale Cutoff: All multiple tags must be purchased by April 14 each year; a single statewide tag may be purchased at any time.

Hunting Hours: One-half hour before sunrise to sunset during spring and fall seasons.

SPECIAL REGULATIONS:

1. Turkey season is open for shotgun and bow-and-arrow hunting only.
2. A turkey tag is required for hunting turkey.
3. Each successful hunter must complete and return a game harvest report card to the Department of Fish and Wildlife within ten days after taking a turkey.
4. It is unlawful to use dogs to hunt turkeys.

SAGE AND SHARP-TAILED GROUSE

Season Closed Statewide.

BIRD DOG TRAINING SEASON

Aug. 1, 1997-Mar. 15, 1998; Aug. 1, 1998-Mar. 15, 1999; and Aug. 1, 1999-Mar. 15, 2000, except from Sept. 27-Nov. 30, 1997, Oct. 3-Nov. 30, 1998, and Oct. 2-Nov. 30, 1999, dog training is prohibited except from 8:00 a.m. to 4:00 p.m. on designated western Washington pheasant release sites.

Dog training may be conducted year around on posted portions of: Region One - Espanola (T 24 N, R 40 E, E 1/2 of Sec. 16); Region Two - Wahluke Wildlife Area north of Highway 24; Region Three - South L.T. Murray Wildlife Area; Region Four - Fort Lewis Military Base, Skagit Wildlife Area, Lake Terrell Wildlife Area, and Snoqualmie Wildlife Area; Region Six - Scatter Creek Wildlife Area.

CANADA GOOSE SEPTEMBER SEASON

~~((Early September Canada Goose season for Clark, Cowlitz, Pacific, and Wahkiakum counties.~~

~~Bag and Possession Limits: Three (3) Canada geese per day with a total of six (6) in possession at any time.~~

~~Sept. 1-15, 1997; Sept. 1-15, 1998; Sept. 1-15, 1999.~~

~~Open Area: Clark, Cowlitz, Pacific, and Wahkiakum counties.~~

~~Early September Canada Goose Season for the remainder of western Washington and all of eastern Washington.))~~

Bag and Possession Limits: Three (3) Canada geese per day with a total of six (6) in possession at any time.

Statewide: ~~((September 6-12, 1997;))~~ September 8-14, 1998; September 7-13, 1999.

~~((Open Area: Statewide, except Clark, Cowlitz, Pacific, and Wahkiakum counties.))~~

BAND-TAILED PIGEON

Closed Season Statewide.

MOURNING DOVE

Bag and possession limits: Ten (10) mourning doves per day with a total of twenty (20) mourning doves in possession at any time.

Statewide: Sept. 1-15, 1997; Sept. 1-15, 1998; and Sept. 1-15, 1999; except CLOSED in GMU 522.

RABBIT AND HARE

Cottontail, Snowshoe Hare (or Washington Hare), and Jackrabbit.

Bag and Possession Limits: Five (5) rabbits or hares per day, with a total of fifteen (15) in possession at any time; straight or mixed bag.

Statewide: Sept. 1, 1997-Mar. 15, 1998; Sept. 1, 1998-Mar. 15, 1999; Sept. 1, 1999-Mar. 15, 2000; except CLOSED in GMU 522.

CROWS

Bag and possession limits: No limits

Statewide: Oct. 1, 1997-Jan. 31, 1998; Oct. 1, 1998-Jan. 31, 1999; Oct. 1, 1999-Jan. 31, 2000.

FALCONRY SEASONS

Upland Game Bird - Falconry

Daily bag: Two (2) pheasants (either sex), six (6) partridge, five (5) quail, and three (3) forest grouse (blue, ruffed, spruce) per day.

Statewide: Sept. 1, 1997-Mar. 15, 1998; Sept. 1, 1998-Mar. 15, 1999; Sept. 1, 1999-Mar. 15, 2000.

Mourning Dove - Falconry

Daily Bag: Three (3) mourning doves per day straight bag or mixed bag with snipe, coots, ducks, and geese during established seasons.

Statewide: Sept. 1-15 and Oct. 1-Dec. 31, 1997; Sept. 1-15 and Oct. 1-Dec. 31, 1998; and Sept. 1-15 and Oct. 1-Dec. 31, 1999.

Cottontail and Hare - Falconry

Daily bag: Five (5) rabbits or hares per day; straight or mixed bag.

Statewide: Aug. 1, 1997-Mar. 15, 1998; Aug. 1, 1998-Mar. 15, 1999; Aug. 1, 1999-Mar. 15, 2000, for cottontail, snowshoe hare (or Washington hare), white-tailed and black-tailed jackrabbits.

Reviser's note: The bracketed material preceding the section above was supplied by the code reviser's office.

Reviser's note: RCW 34.05.395 requires the use of underlining and deletion marks to indicate amendments to existing rules. The rule published above varies from its predecessor in certain respects not indicated by the use of these markings.

WSR 97-18-022
PERMANENT RULES
DEPARTMENT OF
FISH AND WILDLIFE
(Wildlife)

[Order 97-161—Filed August 25, 1997, 4:46 p.m.]

Date of Adoption: August 9, 1997.

Purpose: To adopt WAC 232-28-421 1997-98 Migratory waterfowl seasons and regulations.

Citation of Existing Rules Affected by this Order: Repealing WAC 232-28-420 [in WSR 97-18-027].

Statutory Authority for Adoption: RCW 77.12.040.

Adopted under notice filed as WSR 97-14-097 on July 2, 1997.

Changes Other than Editing from Proposed to Adopted Version: The adopted version of WAC 232-28-421 differs from the proposed version filed with the code reviser in the following specifics:

1. On page 2, Western Washington Goose Management Area 2, season dates were changed to reflect public input asking for concurrent dates with Oregon.

2. Page 3, second paragraph, last sentence changed to read: "A dusky Canada goose is defined as a dark-breasted (as shown in the Munsell color chart 10 yr. 5 or less) Canada goose with a culmen (bill) length of 40-50 mm."

3. On page 3, third paragraph, dusky Canada goose harvest quotas were increased to reflect new federal quota levels established on August 7.

Number of Sections Adopted in Order to Comply with Federal Statute: New 0, amended 0, repealed 0; Federal Rules or Standards: New 0, amended 0, repealed 0; or Recently Enacted State Statutes: New 0, amended 0, repealed 0.

Number of Sections Adopted at Request of a Nongovernmental Entity: New 0, amended 0, repealed 0.

Number of Sections Adopted on the Agency's own Initiative: New 1, amended 0, repealed 0.

Number of Sections Adopted in Order to Clarify, Streamline, or Reform Agency Procedures: New 0, amended 0, repealed 0.

Number of Sections Adopted using Negotiated Rule Making: New 0, amended 0, repealed 0; Pilot Rule Making: New 0, amended 0, repealed 0; or Other Alternative Rule Making: New 0, amended 0, repealed 0.

Effective Date of Rule: Thirty-one days after filing.

August 21, 1997

Lisa Pelly, Chair

Fish and Wildlife Commission

NEW SECTION

WAC 232-28-421 1997-98 Migratory waterfowl seasons and regulations

DUCKS

Western Washington

Oct. 4, 1997-Jan. 17, 1998

Daily bag limit: 7 ducks—to include not more than 2 hen mallards, not more than 3 pintails, not more than 2 redheads, and not more than 1 canvasback.

Possession limit: 14 ducks—to include not more than 4 hen mallards, not more than 6 pintails, not more than 4 redheads, and not more than 2 canvasbacks.

Special youth hunting day open only to hunters 15 years of age or under (must be accompanied by an adult at least 18 years old who is not hunting).

Sept. 27, 1997

Eastern Washington

Oct. 4, 1997-Jan. 17, 1998

Daily bag limit: 7 ducks—to include not more than 2 hen mallards, not more than 3 pintails, not more than 2 redheads, and not more than 1 canvasback.

Possession limit: 14 ducks—to include not more than 4 hen mallards, not more than 6 pintails, not more than 4 redheads, and not more than 2 canvasbacks.

Special youth hunting day open only to hunters 15 years of age or under (must be accompanied by an adult at least 18 years old who is not hunting).

Sept. 27, 1997

COOT (Mudhen)

Same areas, dates (including Youth Hunting Day), and shooting hours as the general duck season.

Daily bag limit: 25 coots.

Possession limit: 25 coots.

COMMON SNIPE

Same areas, dates (except Youth Hunting Day), and shooting hours as the general duck season.

Daily bag limit: 8 snipe.

Possession limit: 16 snipe.

GEESE (except Brant and Aleutian Canada Geese)

WESTERN WASHINGTON

Western Washington Goose Management Area 1

Island, Skagit, Snohomish counties

Oct. 11-Jan. 4, 1998

Daily bag limit: 3 geese.

Possession limit: 6 geese.

WRITTEN AUTHORIZATION REQUIRED TO HUNT SNOW GEES. All persons hunting snow geese in this season are required to obtain a written authorization and Harvest Report from the Washington Department of Fish and Wildlife. Hunters who held a 1996 authorization and returned the Harvest Report prior to the deadline will be mailed a 1997 authorization in early October. Hunters who did not possess a 1996 authorization must fill out an application (available at Washington Department of Fish and Wildlife Olympia and regional offices). **Application forms must be delivered to a Department office no later than September 25 or postmarked on or before September 25 in order for applicants to be mailed a 1997 authorization before the season starts. No applications will be accepted after October 31, 1997.** Immediately after taking a snow goose into possession, hunters must record in ink the information required on the Harvest Report. Return of the Harvest Report is mandatory. Those hunters not returning the Harvest Report to the Washington Department of Fish and Wildlife by January 15, 1998 will be ineligible to participate in the 1998 snow goose season.

Western Washington Goose Management Area 2
Pacific, Wahkiakum, Cowlitz, and Clark counties, except the area of Clark County south of the Washougal River.

Open on the following days from 8:00 a.m. to 4:00 p.m.:

Mondays, Wednesdays, and Saturdays only, Nov. 22, 1997-Jan. 18, 1998.

Bag limits for all of Western Washington Goose Management Area 2:

Daily bag limit: 4 geese, to include not more than 3 Canada geese, not more than 1 dusky Canada goose, and not more than 3 white geese (snow, Ross', blue).

Possession limit: 8 geese, to include not more than 6 Canada geese, not more than 1 dusky Canada goose, and not more than 6 white geese (snow, Ross', blue).

Season limit: 1 dusky Canada goose.

A dusky Canada goose is defined as a dark-breasted (as shown in the Munsell color chart 10 YR, 5 or less) Canada goose with a culmen (bill) length of 40-50 mm.

The Canada goose season for Western Washington Goose Management Area 2 will be closed early if dusky Canada goose harvests exceed area quotas which collectively total 67 geese. The Fish and Wildlife Commission has authorized the Director to implement emergency area closures in accordance with the following quotas: a total of 80 dusks, to be distributed 21 for Clark County private lands, 10 for Ridgefield NWR, 25 for Cowlitz County south of the Kalama River, 12 for Cowlitz County north of the Kalama River and Wahkiakum County, and 12 for Pacific County.

Hunting is only permitted by written authorization from the Washington Department of Fish and Wildlife. Hunters who maintained a valid 1996 written authorization will be mailed a 1997 authorization card prior to the 1997 season. New hunters and those who did not maintain a valid 1996 authorization must review goose identification training materials and demonstrate adequate performance on a goose identification test to receive written authorization. Information on training materials and testing dates/locations is available at the Olympia and regional offices.

With written authorization, hunters will receive a Harvest Report. Hunters must carry the authorization card and Harvest Report while hunting. Immediately after taking a Canada goose (dusky, lesser/Taverner, cackling, or other subspecies) into possession, hunters must record in ink the information required on the Harvest Report. Hunters must go directly to the nearest check station and have geese tagged when leaving a hunt site, before 6:00 p.m. If a hunter takes the season bag limit of one dusky Canada goose or does not comply with requirements listed above regarding checking of birds and recording harvest on the Harvest Report, written authorization will be revoked and the hunter will not be able to hunt in Western Washington Goose Management Area 2 for the remainder of the season and the Special Late Canada Goose Season. It is unlawful to fail to comply with all provisions listed above for Western Washington Goose Management Area 2.

Western Washington Goose Management Area 2 Special Late Canada Goose Season

Open to Washington Department of Fish and Wildlife Advanced Hunter Education (AHE) program graduates possessing a valid 1997 southwest Washington Canada goose

hunting authorization. Hunters qualifying for the season will be notified of available hunting dates and selected at random for participation. Depending on the number of AHE hunters available, additional authorized non-AHE hunters may be selected at random from applicants (applications will be available in early January 1998). AHE hunters will be given priority in assigning hunt days.

Open in Agricultural Goose Damage Areas in Western Washington Goose Management Area 2 on selected dates within the following period from 7:00 a.m. to 4:00 p.m.:

January 24-March 10, 1998

Daily bag limit: 3 Canada geese, to include not more than 1 dusky Canada goose.

Possession limit: 6 Canada geese, to include not more than 1 dusky Canada goose.

Season limit: 1 dusky Canada goose.

A dusky Canada goose is defined as a dark-breasted Canada goose with a culmen (bill) length of 40-50 mm.

The Special Late Canada Goose Season will be closed by emergency action if the harvest of dusky Canada geese exceeds 85 for the regular and late seasons. Hunting is only permitted by written authorization from the Washington Department of Fish and Wildlife. Hunters who maintained a valid 1996 written authorization will be mailed a 1997 authorization card prior to the 1997 season. New hunters and those who did not maintain a valid 1996 authorization must review goose identification training materials and demonstrate adequate performance on a goose identification test to receive written authorization. Information on training materials and testing dates/locations is available at the Olympia and Regional offices.

With written authorization, hunters will receive a Special Late Canada Goose Season authorization card and Harvest Report. Hunters must carry the authorization card and Harvest Report while hunting. Immediately after taking a Canada goose (dusky, lesser/Taverner, or other subspecies) into possession, hunters must record in ink the information required on the Harvest Report. Hunters must go directly to the nearest check station and have geese tagged when leaving a hunt site, before 6:00 p.m. If a hunter takes the season bag limit of one dusky Canada goose or does not comply with requirements listed above regarding checking of birds and recording harvest on the Harvest Report, written authorization will be revoked and the hunter will not be able to hunt in the Special Late Canada Goose Season for the remainder of the season. It is unlawful to fail to comply with all requirements listed above for the Special Late Canada Goose Season.

Western Washington Goose Management Area 3

Includes all parts of western Washington not included in Western Washington Goose Management Areas 1 and 2.

Oct. 11, 1997-Jan. 18, 1998

Daily bag limit: 4 geese, to include not more than 3 white geese (snow, Ross', blue).

Possession limit: 8 geese, to include not more than 6 white geese (snow, Ross', blue).

EASTERN WASHINGTON

Eastern Washington Goose Management Area 1

Okanogan, Douglas, Kittitas, Grant, Adams, Franklin, Benton, Lincoln, Spokane, and Walla Walla counties.

Saturdays, Sundays, and Wednesdays only, from Oct. 11, 1997-Jan. 11, 1998, Nov. 11, 27, 28, 1997, and every day Jan. 12-18, 1998.

Eastern Washington Goose Management Area 2

Includes all other parts of eastern Washington not included in Eastern Washington Goose Management Area 1.

Every day, from Oct. 11, 1997-Jan. 18, 1998.

Bag limits for all Eastern Washington Goose Management Areas:

Daily bag limit: 4 geese, to include not more than 3 white geese (snow, Ross', blue).

Possession limit: 8 geese, to include not more than 6 white geese (snow, Ross', blue).

BRANT

Open in Skagit and Pacific counties only

In 1997, the brant wintering population in northern Puget Sound remained significantly below objective levels. If the 1997-98 pre-season wintering population in northern Puget Sound is below 6,000, the brant season in Skagit County will be closed.

Open in Skagit county on the following dates:
Jan. 10, 11, 14, 17, 18, 1998

Open in Pacific county on the following dates:
Jan. 3, 4, 10, 17, 18, 1998

WRITTEN AUTHORIZATION REQUIRED: All hunters participating in this season are required to obtain a written authorization and Harvest Report from the Washington Department of Fish and Wildlife. Hunters who held a 1996 authorization and returned the Harvest Report prior to the deadline will be mailed a 1997 authorization in early December. Hunters who did not possess a 1996 authorization must fill out an application (available at Washington Department of Fish and Wildlife regional offices). **Application forms must be delivered to a Department office no later than 5:00 p.m. on November 10 or postmarked on or before November 10, after which applicants will be mailed a 1997 authorization in early December. Late applications will not be accepted.** Immediately after taking a brant into possession, hunters must record in ink the information required on the Harvest Report. Return of the Harvest Report is mandatory. Those hunters not returning the Harvest Report to the Washington Department of Fish and Wildlife by January 15, 1998 will be ineligible to participate in the 1998 brant season.

Bag limits for Skagit and Pacific counties:

Daily bag limit: 2 brant.

Possession limit: 4 brant.

ALEUTIAN CANADA GEESE AND SWANS

Season closed statewide.

FALCONRY SEASONS

A falconry license and a current hunting license are required for hunting with a raptor. In addition, an Eastern Washington Upland Bird Permit or a Western Washington Upland Bird Permit is required to hunt pheasant, quail, and partridge; and federal and state waterfowl stamps are required

to hunt waterfowl. A 1998 hunting license, 1998 falconry license, and a 1998 Eastern or Western Washington Upland Bird Permit are required to hunt pheasant, partridge, and grouse after December 31.

DUCKS AND COOTS (Falconry)

(Bag limits include geese, snipe, and mourning doves.)

Western Washington

Sept. 27, 1997, Oct. 4, 1997-Jan. 17, 1998

Daily bag limit: 3, straight or mixed bag with geese, snipe, and mourning doves during established seasons.

Possession limit: 6, straight or mixed bag with geese, snipe, and mourning doves during established seasons.

Eastern Washington

Sept. 27, 1997, Oct. 4, 1997-Jan. 17, 1998

Daily bag limit: 3, straight or mixed bag with geese, snipe, and mourning doves during established seasons.

Possession limit: 6, straight or mixed bag with geese, snipe, and mourning doves during established seasons.

GEESE (Falconry)

(Bag limits include ducks, coot, snipe, and mourning doves.)

Oct. 11, 1997-Jan. 18, 1998, statewide, except:

Nov. 22, 1997-Jan. 18, 1998 and Jan. 24-Mar. 10, 1998 in Western Washington Goose Management Area 2.

Daily bag limit: 3, straight or mixed bag with ducks, coot, snipe, and mourning doves during established seasons.

Possession limit: 6, straight or mixed bag with ducks, coot, snipe, and mourning doves during established seasons.

SNIPE (Falconry)

(Bag limits include ducks, coots, geese, and mourning doves.)

Sept. 27, 1997, Oct. 4, 1997-Jan. 17, 1998, statewide

Daily bag limit: 3, straight or mixed bag with ducks, coots, geese and mourning doves during established seasons.

Possession limit: 6, straight or mixed bag with ducks, coots, geese and mourning doves during established seasons.

WSR 97-18-023
PERMANENT RULES
DEPARTMENT OF
FISH AND WILDLIFE
(Wildlife)

[Order 97-163—Filed August 25, 1997, 4:48 p.m.]

Date of Adoption: August 9, 1997.

Purpose: To amend WAC 232-16-740 Columbia, Snake, and Yakima River waterfowl, coot, and snipe closures.

Citation of Existing Rules Affected by this Order: Amending WAC 232-16-740.

Statutory Authority for Adoption: RCW 77.12.040.

Adopted under notice filed as WSR 97-14-089 on July 2, 1997.

Number of Sections Adopted in Order to Comply with Federal Statute: New 0, amended 0, repealed 0; Federal Rules or Standards: New 0, amended 0, repealed 0; or

Recently Enacted State Statutes: New 0, amended 0, repealed 0.

Number of Sections Adopted at Request of a Nongovernmental Entity: New 0, amended 0, repealed 0.

Number of Sections Adopted on the Agency's own Initiative: New 0, amended 1, repealed 0.

Number of Sections Adopted in Order to Clarify, Streamline, or Reform Agency Procedures: New 0, amended 0, repealed 0.

Number of Sections Adopted using Negotiated Rule Making: New 0, amended 0, repealed 0; Pilot Rule Making: New 0, amended 0, repealed 0; or Other Alternative Rule Making: New 0, amended 0, repealed 0.

Effective Date of Rule: Thirty-one days after filing.

August 21, 1997

Lisa Pelly, Chair

Fish and Wildlife Commission

AMENDATORY SECTION [(Amending Order 96-123, filed 8/22/96, effective 9/22/96)]

WAC 232-16-740 Columbia, Snake, and Yakima River waterfowl, coot, and snipe closures. Section 1. Waters and land below the mean high water mark of Bachelor Island Slough of the Columbia River in Clark County. Bachelor Island Slough is further defined as those waters starting at the south end of the slough at its confluence with the Columbia river, running north along the eastern shore of Bachelor Island to the confluence with Lake River.

Section 2. Klickitat County - the Columbia River and those lands lying within one-quarter mile of the Columbia River upstream from the railroad bridge at Wishram to the grain elevator at Roosevelt.

Section 3. The Columbia River and those lands lying within one-quarter mile of the Columbia River between the mouth of Glade Creek (river channel marker 57) and the old town site of Patterson (river channel marker 67), except the hunting of game birds is permitted from the main shoreline of the Columbia River in this area.

Section 4. The Columbia River and those lands lying within one-quarter mile of the Columbia River between the old Hanford townsite (Wooden Tower) powerline crossing in Section 30, T13N, R28E, to Vernita Bridge (Highway 24).

Section 5. The Columbia River between the public boat launch at Sunland Estates (Wanapum Pool) and a point perpendicular in Kittitas County; upstream to the posted marker 200 yards north of Quilomene Bay and a point perpendicular in Grant County, including islands.

Section 6. The Snake River and those lands within one-quarter mile of the Snake River, between the U.S. Highway 12 bridge near Burbank, upstream to Lower Monumental Dam.

Section 7. The Yakima River and those lands lying within one-fourth mile of the Yakima River from the Sunnyside-Mabton Road bridge downstream to the Euclid Road bridge (4 miles).

Section 8. The Yakima River and those lands lying within one-fourth mile of the Yakima River from the Grant Avenue bridge (steel bridge) north of Prosser downstream 2-1/2 miles, to the powerline.

Reviser's note: The bracketed material preceding the section above was supplied by the code reviser's office.

Reviser's note: RCW 34.05.395 requires the use of underlining and deletion marks to indicate amendments to existing rules. The rule published above varies from its predecessor in certain respects not indicated by the use of these markings.

WSR 97-18-024
PERMANENT RULES
DEPARTMENT OF
FISH AND WILDLIFE
 (Wildlife)

[Order 97-165—Filed August 25, 1997, 4:49 p.m.]

Date of Adoption: August 9, 1997.

Purpose: To amend WAC 232-28-268 1997-98 Elk permit quotas.

Citation of Existing Rules Affected by this Order: Amending WAC 232-28-268.

Statutory Authority for Adoption: RCW 77.12.040.

Adopted under notice filed as WSR 97-14-098 on July 2, 1997.

Number of Sections Adopted in Order to Comply with Federal Statute: New 0, amended 0, repealed 0; Federal Rules or Standards: New 0, amended 0, repealed 0; or Recently Enacted State Statutes: New 0, amended 0, repealed 0.

Number of Sections Adopted at Request of a Nongovernmental Entity: New 0, amended 0, repealed 0.

Number of Sections Adopted on the Agency's own Initiative: New 0, amended 1, repealed 0.

Number of Sections Adopted in Order to Clarify, Streamline, or Reform Agency Procedures: New 0, amended 0, repealed 0.

Number of Sections Adopted using Negotiated Rule Making: New 0, amended 0, repealed 0; Pilot Rule Making: New 0, amended 0, repealed 0; or Other Alternative Rule Making: New 0, amended 0, repealed 0.

Effective Date of Rule: Thirty-one days after filing.
 August 21, 1997
 Lisa Pelly, Chair

Fish and Wildlife Commission

AMENDATORY SECTION [(Amending WSR 97-12-057, filed 6/2/97, effective 7/3/97)]

WAC 232-28-268 1997-1998 Elk permit quotas

Hunt Choice No.	Hunt Name	Permit Season	Special Restrictions	Elk Tag Prefix	Boundary Description	1997 Permits
Modern Firearm Bull Permit Hunts (Only modern firearm elk tag holders may apply.)						
2001	Blue Creek A	Oct. 20-Nov. 2	3 Pt. Min.	BP	GMU 154	5
2002	Watershed A*	Nov. 1-9	3 Pt. Min. or Antlerless	BP	GMU 157	75
2003	Dayton A	Oct. 20-Nov. 2	3 Pt. Min.	BP	GMU 162	10
2004	Tucannon A	Oct. 20-Nov. 2	3 Pt. Min.	BP	GMU 166	6
2005	Wenaha A	Oct. 20-Nov. 2	3 Pt. Min.	BP	GMU 169	13
2006	Mountain View A	Oct. 20-Nov. 2	3 Pt. Min.	BP	GMU 172	8
2007	Peola A	Oct. 20-Nov. 2	3 Pt. Min.	BP	GMU 178	6
2008	Grande Ronde A	Oct. 20-Nov. 2	3 Pt. Min.	BP	GMU 186	2
2009	Naneum A	Oct. 20-Nov. 2	3 Pt. Min.	CP	GMU 328	25
2010	Quilomene A	Oct. 20-Nov. 2	3 Pt. Min.	CP	GMU 329	13
2011	Peaches Ridge A	Oct. 20-Nov. 2	3 Pt. Min.	YP	GMUs 336, 346	69
2012	Observatory A	Oct. 20-Nov. 2	3 Pt. Min.	YP	GMUs 340, 342	39
2013	Goose Prairie A	Oct. 20-Nov. 2	3 Pt. Min.	YP	GMUs 352, 356	32
2014	Bethel A	Oct. 20-Nov. 2	3 Pt. Min.	YP	GMU 360	17
2015	Rimrock A	Oct. 20-Nov. 2	3 Pt. Min.	YP	GMU 364	50
2016	Cowiche A	Oct. 20-Nov. 2	3 Pt. Min.	YP	GMU 368	9
2017	White River A	Nov. 3-16	Spike Only	WP	GMU 472	820
2018	White River B	Nov. 3-16	3 Pt. Min.	WP	GMU 472	25
2019	Green River A	Nov. 8-12	3 Pt. Min. or Antlerless	WP	GMU 485	0
2020	Winston A	Nov. 3-16	3 Pt. Min.	WP	GMU 520	9
2021	Margaret A	Nov. 3-16	3 Pt. Min.	WP	GMU 524	18
2022	Coweeman A	Nov. 3-16	3 Pt. Min.	WP	GMU 550	9
2023	Toutle A	Nov. 3-16	3 Pt. Min.	WP	GMU 556	114
2024	Lewis River A	Nov. 3-16	3 Pt. Min.	WP	GMU 560	14
2025	Dickey A	Nov. 3-16	3 Pt. Min.	WP	GMU 602	53
2026	Olympic A	Nov. 3-16	3 Pt. Min.	WP	GMU 621	((H)) 8

Hunt Choice No.	Hunt Name	Permit Season	Special Restrictions	Elk Tag Prefix	Boundary Description	1997 Permits
Modern Firearm Elk Permit Hunts (Only modern firearm and muzzleloader elk tag holders may apply.)						
2027	Northeast	Oct. 29-Nov. 2	Antlerless Only	BP or BM	GMUs 109, 113, 117, 124 (E. of SR 395)	75
2028	Mica, Cheney	Oct. 11-Nov. 2	Antlerless Only	BP or BM	GMUs 127, 130	250

PERMANENT

2029	Wenaha B	Oct. 1-10	3-Pt. Min.	BP or BM	GMU 169	8
2030	Peola B	Oct. 29-Nov. 2	Antlerless Only	BP or BM	GMU 178	50
2031	Wenatchee Mtns.	Oct. 1-10	3-Pt. Min.	CP, CM, YP, or YM	GMUs 302, 335	24

*Permit season for archery and muzzleloader is the same as modern firearm and all hunters must wear hunter orange.

PERMANENT

Hunt Choice No.	Hunt Name	Permit Season	Special Restrictions	Elk Tag Prefix	Boundary Description	1997 Permits
2032	Naneum B	Oct. 29-Nov. 2	Antlerless Only	CP or CM	GMU 328	0
2033	Shushuskin A	Nov. 15-Dec. 15	Antlerless Only	CP or CM	Elk Area 031	150
2034	Malaga A	Sept. 1-Oct. 3	Antlerless Only	CP or CM	Elk Area 032	75
2035	Malaga B	Nov. 7-Dec. 31	Antlerless Only	CP or CM	Elk Area 032	75
2036	Peshastin A	Sept. 1-Oct. 3	Antlerless Only	CP or CM	Elk Area 033	25
2037	Peshastin B	Nov. 7-Dec. 31	Any Elk	CP or CM	Elk Area 033	25
2038	Brushy	Sept. 20-22	Antlerless Only	CP or CM	Elk Area 035	50
2039	Quilomene B	Oct. 29-Nov. 2	Antlerless Only	CP or CM	GMU 329	0
2040	West Bar A	Oct. 22	Antlerless Only	CP or CM	GMU 330	10
2041	West Bar B	Oct. 23	Antlerless Only	CP or CM	GMU 330	10
2042	West Bar C	Oct. 24	Antlerless Only	CP or CM	GMU 330	10
2043	Taneum	Oct. 29-Nov. 2	Antlerless Only	YP or YM	GMU 336	100
2044	Manastash A	Oct. 29-Nov. 2	Antlerless Only	YP or YM	GMU 340	100
2045	Umtanum	Oct. 29-Nov. 2	Antlerless Only	YP or YM	GMU 342	150
2046	Little Naches A	Oct. 29-Nov. 2	Antlerless Only	YP or YM	GMU 346	100
2047	Little Naches B	Oct. 1-10	3-Pt. Min.	YP or YM	GMU 346	15
2048	Nile	Oct. 29-Nov. 2	Antlerless Only	YP or YM	GMU 352	30
2049	Bumping	Oct. 29-Nov. 2	Antlerless Only	YP or YM	GMU 356	150
2050	Bethel B	Oct. 29-Nov. 2	Antlerless Only	YP or YM	GMU 360	25
2051	Rimrock B	Oct. 29-Nov. 2	Antlerless Only	YP or YM	GMU 364	100
2052	Cowiche B	Oct. 29-Nov. 2	Antlerless Only	YP or YM	GMU 368	200
2053	White River C	Nov. 12-16	Antlerless Only	WP or WM	GMU 472	5
2054	Green River B	Nov. 8-12	Antlerless Only	WP or WM	GMU 485	0
2055	Lincoln	Nov. 12-16	Antlerless Only	WP or WM	GMU 501	0
2056	Willapa Hills	Nov. 12-16	Antlerless Only	WP or WM	GMU 506	100
2057	Packwood	Nov. 12-16	Antlerless Only	WP or WM	GMU 516	25
2058	Winston B	Nov. 12-16	Antlerless Only	WP or WM	GMU 520	30
2059	Margaret B	Nov. 12-16	Antlerless Only	WP or WM	GMU 524	30
2060	Ryderwood	Nov. 12-16	Antlerless Only	WP or WM	GMU 530	125
2061	Coweeman B	Nov. 12-16	Antlerless Only	WP or WM	GMU 550	50
2062	Toutle B	Nov. 12-16	Antlerless Only	WP or WM	GMU 556	50
2063	Marble	Nov. 12-16	Antlerless Only	WP or WM	GMU 558	60
2064	Carlton	Oct 1-10	3-Pt. Min.	WP or WM	Elk Area 057	5
2065	West Goat Rocks	Oct. 1-10	3-Pt. Min.	WP or WM	Elk Area 058	5
2066	Mt. Adams	Oct. 1-10	3-Pt. Min.	WP or WM	Elk Area 059	5
2067	Lewis River B	Nov. 12-16	Antlerless Only	WP or WM	GMU 560	75
2068	Washougal	Nov. 12-16	Antlerless Only	WP or WM	GMU 568	0
2069	Siouxon	Nov. 12-16	Antlerless Only	WP or WM	GMU 572	50
2070	Wind River	Nov. 12-16	Antlerless Only	WP or WM	GMU 574	0
2071	West Klickitat	Nov. 12-16	Antlerless Only	WP or WM	GMU 578	0
2072	Grayback	Nov. 12-16	Antlerless Only	WP or WM	GMU 588	0
2073	Minot Peak	Nov. 12-16	Antlerless Only	WP or WM	GMU 660	10
2074	Williams Creek	Nov. 12-16	Antlerless Only	WP or WM	GMU 673	80
2075	Curtis	Dec. 20-31	Antlerless Only	WP or WM	Elk Area 050	50
2076	Boisfort A	Jan. 1-15, 1998	Antlerless Only	WP or WM	Elk Area 054	50
2077	East Valley	Jan. 1-15, 1998	Antlerless Only	WP or WM	Elk Area 055	25

Hunt Choice No.	Hunt Name	Permit Season	Special Restrictions	Elk Tag Prefix	Boundary Description	1997 Permits
Muzzleloader Bull Permit Hunts (Only muzzleloader elk tag holders may apply.)						
2078	Blue Creek B	Oct. 1-10	3 Pt. Min.	BM	GMU 154	2
2079	Watershed B*	Nov. 1-9	3 Pt. Min. or Antlerless	BM	GMU 157	0
2080	Dayton B	Oct. 1-10	3 Pt. Min.	BM	GMU 162	3

2081	Tucannon B	Oct. 1-10	3 Pt. Min.	BM	GMU 166	1
2082	Wenaha C	Oct. 1-10	3 Pt. Min.	BM	GMU 169	4
2083	Mountain View B	Oct. 1-10	3 Pt. Min.	BM	GMU 172	2
2084	Peola C	Oct. 1-10	3 Pt. Min.	BM	GMU 178	1
2085	Grande Ronde B	Oct. 1-10	3 Pt. Min.	BM	GMU 186	1
2086	Naneum C	Oct. 1-10	3 Pt. Min.	CM	GMU 328	21
2087	Quilomene C	Oct. 1-10	3 Pt. Min.	CM	GMU 329	22
2088	Peaches Ridge B	Oct. 1-10	3 Pt. Min.	YM	GMUs 336, 346	13
2089	Observatory B	Oct. 1-10	3 Pt. Min.	YM	GMUs 340, 342	17
2090	Goose Prairie B	Oct. 1-10	3 Pt. Min.	YM	GMUs 352, 356	12
2091	Bethel C	Oct. 1-10	3 Pt. Min.	YM	GMU 360	8
2092	Rimrock C	Oct. 1-10	3 Pt. Min.	YM	GMU 364	10
2093	Cowiche C	Oct. 1-10	3 Pt. Min.	YM	GMU 368	6
2094	White River D	Oct. 1-10	Spike Only	WM	GMU 472	360
2095	White River E	Oct. 1-10	3 Pt. Min.	WM	GMU 472	11
2096	Green River C*	Nov. 8-12	3 Pt. Min. or Antlerless	WM	GMU 485	0
2097	Winston C	Oct. 1-10	3 Pt. Min.	WM	GMU 520	3
2098	Margaret C	Oct. 1-10	3 Pt. Min.	WM	GMU 524	6
2099	Coweeman C	Oct. 1-10	3 Pt. Min.	WM	GMU 550	3
2100	Toutle C	Oct. 1-10	3 Pt. Min.	WM	GMU 556	40
2101	Lewis River C	Oct. 1-10	3 Pt. Min.	WM	GMU 560	5
2102	Dickey B	Oct. 1-10	3 Pt. Min.	WM	GMU 602	18
2103	Olympic B	Oct. 1-10	3 Pt. Min.	WM	GMU 621	((8)) 6

* Permit season in Watershed B & Green River C is the same as modern firearm, and hunters must wear hunter orange.

Hunt Choice No.	Hunt Name	Permit Season	Special Restrictions	Elk Tag Prefix	Boundary Description	1997 Permits
Muzzleloader Permit Hunts (Only muzzleloader elk tag holders may apply.)						
2104	Blue Creek C	12/1/97 - 1/31/98	Antlerless Only	BM	GMU 154	50
2105	Couse	12/1/97 - 1/31/98	Antlerless Only	BM	GMU 181	150
2106	Stella	Nov. 26-Dec. 15	Spike or antlerless	WM	GMU 504	100
2107	Boisfort B	Jan. 16-31, 1998	Antlerless Only	WM	Elk Area 054	50
2108	Yale	Nov. 26-Dec. 15	Any Elk	WM	GMU 554	75
2109	Toledo	Jan. 2-16, 1998	Antlerless Only	WM	Elk Area 029	75
2110	North River	Nov. 26-Dec. 15	Antlerless Only	WM	GMU 658	20

Hunt Choice No.	Hunt Name	Permit Season	Special Restrictions	Elk Tag Prefix	Boundary Description	1997 Permits
Archery Bull Permit Hunts (Only archery elk tag holders may apply.)						
2111	Blue Creek D	Sept. 1-14	3 Pt. Min.	BA	GMU 154	3
2112	Watershed C*	Nov. 1-9	3 Pt. Min. or Antlerless	BA	GMU 157	0
2113	Dayton C	Sept. 1-14	3 Pt. Min.	BA	GMU 162	5
2114	Tucannon C	Sept. 1-14	3 Pt. Min.	BA	GMU 166	3
2115	Wenaha D	Sept. 1-14	3 Pt. Min.	BA	GMU 169	7
2116	Mountain View C	Sept. 1-14	3 Pt. Min.	BA	GMU 172	13
2117	Peola D	Sept. 1-14	3 Pt. Min.	BA	GMU 178	6
2118	Grande Ronde C	Sept. 1-14	3 Pt. Min.	BA	GMU 186	1
2119	Naneum D	Sept. 1-14	3 Pt. Min.	CA	GMU 328	85
2120	Quilomene D	Sept. 1-14	3 Pt. Min.	CA	GMU 329	68
2121	Peaches Ridge C	Sept. 1-14	3 Pt. Min.	YA	GMUs 336, 346	77
2122	Observatory C	Sept. 1-14	3 Pt. Min.	YA	GMUs 340, 342	77
2123	Goose Prairie C	Sept. 1-14	3 Pt. Min.	YA	GMUs 352, 356	41
2124	Bethel D	Sept. 1-14	3 Pt. Min.	YA	GMU 360	31
2125	Rimrock D	Sept. 1-14	3 Pt. Min.	YA	GMU 364	26
2126	Cowiche D	Sept. 1-14	3 Pt. Min.	YA	GMU 368	9
2127	White River F	Sept. 1-14	Spike Only	WA	GMU 472	880
2128	White River G	Sept. 1-14	3 Pt. Min.	WA	GMU 472	26
2129	Green River D*	Nov. 8-12	3 Pt. Min. or Antlerless	WA	GMU 485	0
2130	Winston D	Sept. 1-14	3 Pt. Min.	WA	GMU 520	9
2131	Margaret D	Sept. 1-14	3 Pt. Min.	WA	GMU 524	19
2132	Coweeman D	Sept. 1-14	3 Pt. Min.	WA	GMU 550	9

PERMANENT

2133	Toutle D	Sept. 1-14	3 Pt. Min.	WA	GMU 556	123
2134	Lewis River D	Sept. 1-14	3 Pt. Min.	WA	GMU 560	15
2135	Dickey C	Sept. 1-14	3 Pt. Min.	WA	GMU 602	57
2136	Olympic C	Sept. 1-14	3 Pt. Min.	WA	GMU 621	((+)) 8

* Permit season in Watershed C and Green River D is the same as modern firearm and hunters must wear hunter orange.

Hunt

Choice No.	Hunt Name	Permit Season	Special Restrictions	Elk Tag Prefix	Boundary Description	1997 Permits
Advanced Hunter Education (AHE) Graduate Special Elk Permit Hunts (Only AHE graduates may apply.)						
2137	Shushuskin B	12/16/97-1/15/98	Antlerless Only	Any Elk Tag	Elk Area 031	75
2138	Margaret E	Oct. 1-10	3-Pt. Min or Antlerless	Any Elk Tag	GMU 524	15
2139	Quinault Ridge	Oct. 1-10	3-Pt. Min or Antlerless	Any Elk Tag	GMU 638	5
2140	Skookumchuck	Oct. 1-10	Spike Bull or Antlerless	Any Elk Tag	GMU 667	2
2141	South Bank A	Jan. 1-15, 1998	Antlerless Only	Any Elk Tag	Elk Area 062	5
2142	South Bank B	Jan. 16-31, 1998	Antlerless Only	Any Elk Tag	Elk Area 062	5
2143	Cathlamet	Sept. 1-14 and Nov. 26-Dec. 8	Archery Antlerless Only	Any Elk Tag	Cathlamet Big Game Closure in Wahkiakum Co.	7

Hunt

Choice No.	Hunt Name	Permit Season	Special Restrictions	Elk Tag Prefix	Boundary Description	1997 Permits
Persons of Disability Only - Special Elk Permit Hunts (Only for persons issued a "DHP" - see pg. 13)						
2144	Quilomene E	Nov. 1-7	3-Pt. Min or Antlerless Only	CP or CM	GMU 329	5
2145	Manastash B	Nov. 1-7	3-Pt. Min or Antlerless Only	YP or YM	GMU 340	5
2146	Little Naches C	Oct. 1-10	3-Pt. Min or Antlerless Only	YP or YM	GMU 346	5
2147	Green River E	Nov. 8-12	Antlerless Only	WP or WM	GMU 485	0
2148	Centralia Mine A	Nov. 22-23	Antlerless Only	Any Elk Tag	Portion of 667*	4
2150	Centralia Mine B	Nov. 29-30	Any Elk	Any Elk Tag	Portion of 667*	4
2151	South Bank C	Dec. 10-20	Antlerless Only	Any Elk Tag	Elk Area 062	3

*Successful applicants will be mailed a map of the hunt boundary.

Reviser's note: The bracketed material preceding the section above was supplied by the code reviser's office.

Reviser's note: The spelling errors in the above section occurred in the copy filed by the agency and appear in the Register pursuant to the requirements of RCW 34.08.040.

**WSR 97-18-025
PERMANENT RULES
DEPARTMENT OF
FISH AND WILDLIFE
(Wildlife)**

[Order 97-162—Filed August 25, 1997, 4:51 p.m.]

Date of Adoption: August 9, 1997.

Purpose: To adopt WAC 232-16-800 Debay's Slough Game Reserve; 232-16-790 Hayton Game Reserve; 232-16-780 Fir Island Farm Game Reserve; and 232-16-730 Coffeepot Lake Game Reserve.

Statutory Authority for Adoption: RCW 77.12.040.

Adopted under notice filed as WSR 97-14-094 on July 2, 1997.

Changes Other than Editing from Proposed to Adopted Version: The adopted version of WAC 232-16-730 differs from the proposed version filed with the code reviser in the following specifics:

Permanent

1. The description of the reserve was modified to include only public lands, based on public input.

Number of Sections Adopted in Order to Comply with Federal Statute: New 0, amended 0, repealed 0; Federal Rules or Standards: New 0, amended 0, repealed 0; or Recently Enacted State Statutes: New 0, amended 0, repealed 0.

Number of Sections Adopted at Request of a Nongovernmental Entity: New 0, amended 0, repealed 0.

Number of Sections Adopted on the Agency's own Initiative: New 4, amended 0, repealed 0.

Number of Sections Adopted in Order to Clarify, Streamline, or Reform Agency Procedures: New 0, amended 0, repealed 0.

Number of Sections Adopted using Negotiated Rule Making: New 0, amended 0, repealed 0; Pilot Rule Making: New 0, amended 0, repealed 0; or Other Alternative Rule Making: New 0, amended 0, repealed 0.

Effective Date of Rule: Thirty-one days after filing.

August 21, 1997

Lisa Pelly, Chair

Fish and Wildlife Commission

PERMANENT

NEW SECTION

WAC 232-16-800 Debay's Slough Game Reserve In Skagit County, beginning at the intersection of Francis Road and Debay's Slough Road; then south and west along Francis Road (3090 feet) to white corner marker; then north (1265 feet) to the middle of Debay's Slough (white corner marker); then westerly (2087 feet) along the channel of Debay's Slough to the western tip of the farmed portion of Debay's Island; then northerly (1485 feet) to the south bank of the Skagit River (white corner marker); then easterly (1600 feet) along the south bank of the Skagit River to fence line (white corner marker); then south along fence line (855 feet) to corner post; then east along fence line (435 feet) to fence intersection; then south (300 feet) along fence line to existing tree line (white corner marker); then continue south (835 feet) to south shoreline of Debay's Slough (white corner marker); then easterly and southerly along the west shoreline of Debay's Slough (1770 feet) to the south side of Debay's Slough Road (white corner marker); then east along the south side of Debay's Slough Road to the intersection of Francis Road and the point of beginning.

NEW SECTION

WAC 232-16-790 Hayton Game Reserve Beginning at the intersection of the west bank of Dry Slough and the Dike District #22 Skagit Bay dike, then east approximately 1330 feet along the south side of the District #22 dike to the intersection of the District #22 dike and the west bank of McDonald's Slough, then north along the west bank of McDonald's Slough to the point where the adjacent farmed field boundary extends west, then west along the north edge of the farmed field boundary to the point where the farmed field boundary intersects Dry Slough, then across Dry Slough to the west bank of Dry Slough, then south along the west bank of Dry Slough to the point of beginning.

NEW SECTION

WAC 232-16-780 Fir Island Farm Game Reserve In Skagit County, beginning at the intersection of Fir Island Road and the east bank of Brown's Slough; then east along Fir Island Road (96 feet) to the Brown's Slough dike; then southerly and easterly along the Brown's Slough dike to the Fir Island Farm access road; then north along the Fir Island Farm access road to Fir Island Road; then east along Fir Island Road to the northeast corner of Section 22 (T33N, R3E); then south along the east line of Section 22 (T33N, R3E) to Dry Slough; then westerly and south along the west bank of Dry Slough to the intersection with Dike District #22 dike; then westerly along the south side (Skagit Bay side) of the Dike District #22 dike to the intersection of the Dike District #22 dike and the south line of Government Lot #5 (Section 22, T33N, R3E), then west approximately 1900 feet to the east bank of Brown's Slough, then north along the east bank of Brown's Slough to the intersection with the Fir Island Road and the point of beginning.

NEW SECTION

WAC 232-16-730 Coffeepot Lake Game Reserve In Lincoln County, all portions of Coffeepot Lake and those lands within one-quarter mile of Coffeepot Lake, within the following boundary:

T. 23 N., R. 34 E., Section 8, S1/2; Section 18, north of the centerline of Coffeepot Lake and Lake Creek; and Section 9, NW1/4; except those portions described as follows:

Beginning at the northwest corner of Section 9; N 85°29' E a distance of 1,979.01 feet to the true point of beginning, being the northwest property corner; thence S14°50' W a distance of 462.39 feet; thence S 05°45' E a distance of 240.35 feet; thence S 64°31' E a distance of 129.31 feet; thence N 72°39' E a distance of 234.96 feet; thence N87°16' E a distance of 375.86 feet; thence N 32°03' E a distance of 83.27 feet; thence N 63°45' E a distance of 99.49 feet; thence N 33°31' E a distance of 131.75 feet; thence N15°38' E a distance of 340.15 feet; thence N 83°41' W a distance of 925.64 feet, returning to the northwest property corner which is the true point of beginning. Also, that portion of Lincoln County described in instrument dated January 29, 1980, recorded February 1, 1980, under Auditor's file No. 354421.

WSR 97-18-026
PERMANENT RULES
DEPARTMENT OF
FISH AND WILDLIFE
 (Wildlife)

[Order 97-164—Filed August 25, 1997, 4:55 p.m.]

Date of Adoption: August 9, 1997.

Purpose: To amend WAC 232-12-068 Nontoxic shot requirements for waterfowl, coot and snipe hunting.

Citation of Existing Rules Affected by this Order: Amending WAC 232-12-068.

Statutory Authority for Adoption: RCW 77.12.040.

Adopted under notice filed as WSR 97-14-093 on July 2, 1997.

Number of Sections Adopted in Order to Comply with Federal Statute: New 0, amended 0, repealed 0; Federal Rules or Standards: New 0, amended 0, repealed 0; or Recently Enacted State Statutes: New 0, amended 0, repealed 0.

Number of Sections Adopted at Request of a Nongovernmental Entity: New 0, amended 0, repealed 0.

Number of Sections Adopted on the Agency's own Initiative: New 0, amended 1, repealed 0.

Number of Sections Adopted in Order to Clarify, Streamline, or Reform Agency Procedures: New 0, amended 0, repealed 0.

Number of Sections Adopted using Negotiated Rule Making: New 0, amended 0, repealed 0; Pilot Rule Making: New 0, amended 0, repealed 0; or Other Alternative Rule Making: New 0, amended 0, repealed 0.

Effective Date of Rule: Thirty-one days after filing.

August 21, 1997

Lisa Pelly, Chair

Fish and Wildlife Commission

AMENDATORY SECTION [(Amending Order 96-127, filed 8/22/96, effective 9/22/96)]

WAC 232-12-068 Nontoxic shot requirement for waterfowl, coot, and snipe hunting. It is unlawful to possess shot (either in shotshells or as loose shot for muzzleloading) other than steel shot, ((~~or~~)) bismuth-tin shot (nominally ((~~97-3 percent, respectively~~))) 97 parts bismuth:

3 parts tin with <1 percent residual lead), or tungsten-iron shot (nominally 40 parts tungsten: 60 parts iron with <1 percent residual lead) when hunting for waterfowl, coot, or snipe.

Reviser's note: The bracketed material preceding the section above was supplied by the code reviser's office.

Reviser's note: RCW 34.05.395 requires the use of underlining and deletion marks to indicate amendments to existing rules. The rule published above varies from its predecessor in certain respects not indicated by the use of these markings.

WSR 97-18-027
PERMANENT RULES
DEPARTMENT OF
FISH AND WILDLIFE
 (Wildlife)

[Order 97-169—Filed August 25, 1997, 4:59 p.m.]

Date of Adoption: August 9, 1997.

Purpose: Repeal of miscellaneous WACs.

Citation of Existing Rules Affected by this Order:

Repealing WAC 232-28-241, 232-28-246, 232-28-251, 232-28-250, 232-28-420, and 232-28-514.

Statutory Authority for Adoption: RCW 77.12.040.

Adopted under notice filed as WSR 97-14-096 on July 2, 1997.

Number of Sections Adopted in Order to Comply with Federal Statute: New 0, amended 0, repealed 0; Federal Rules or Standards: New 0, amended 0, repealed 0; or Recently Enacted State Statutes: New 0, amended 0, repealed 0.

Number of Sections Adopted at Request of a Nongovernmental Entity: New 0, amended 0, repealed 0.

Number of Sections Adopted on the Agency's own Initiative: New 0, amended 0, repealed 6.

Number of Sections Adopted in Order to Clarify, Streamline, or Reform Agency Procedures: New 0, amended 0, repealed 0.

Number of Sections Adopted using Negotiated Rule Making: New 0, amended 0, repealed 0; Pilot Rule Making: New 0, amended 0, repealed 0; or Other Alternative Rule Making: New 0, amended 0, repealed 0.

Effective Date of Rule: Thirty-one days after filing.

August 21, 1997

Lisa Pelly, Chair

Fish and Wildlife Commission

[REPEALER]

The following sections of the Washington State Administrative Code are repealed:

- WAC 232-28-241 1994-95, 1995-96, and 1996-97 Official hunting hours and small game seasons.
- WAC 232-28-246 1996-97 Deer and elk permit hunting seasons.
- WAC 232-28-251 1996-97 Elk permit quotas.
- WAC 232-28-250 1996 Deer permit quotas.
- WAC 232-28-420 1996-97 Migratory waterfowl seasons and regulations.
- WAC 232-28-514 1996-97 Trapping seasons and regulations.

Permanent

Reviser's note: The bracketed material preceding the section above was supplied by the code reviser's office.

Reviser's note: The spelling error in the above repealer occurred in the copy filed by the agency and appears in the Register pursuant to the requirements of RCW 34.08.040.

WSR 97-18-035
PERMANENT RULES
DEPARTMENT OF
FISH AND WILDLIFE
 (Fisheries)
 (Wildlife)

[Filed August 27, 1997, 10:38 a.m.]

Date of Adoption: August 26, 1997.

Purpose: Amend personal use rules.

Citation of Existing Rules Affected by this Order:

WAC 220-16-470, 220-56-124, 220-56-190, 220-56-191, 220-56-195, 220-56-205, 220-57-130, 220-57-135, 220-57-137, 220-57-140, 220-57-155, 220-57-160, 220-57-175, 220-57-190, 220-57-200, 220-57-230, 220-57-235, 220-57-240, 220-57-250, 220-57-255, 220-57-270, 220-57-280, 220-57-285, 220-57-300, 220-57-310, 220-57-319, 220-57-370, 220-57-385, 220-57-415, 220-57-425, 220-57-430, 220-57-435, 220-57-460, 220-57-465, 220-57-480, 220-57-495, 220-57-525, 220-57A-145, 220-57A-175, 232-12-001, 232-12-619, and 232-28-619.

Statutory Authority for Adoption: RCW 75.08.080, 75.12.040.

Adopted under notice filed as WSR 97-15-147 on July 23, 1997.

Changes Other than Editing from Proposed to Adopted Version: Differences between proposed and adopted rule: WAC 220-56-190, Catch Area 2, allow only one chinook salmon. Provide for minimum sizes in all areas; WAC 220-56-205, Lewis River - North Fork, leave dates as is. Toutle River, restriction applies downstream from Highway 504 Bridge; WAC 220-57-137, season downstream from Voight Creek; WAC 220-57-13701, special daily limit of 2 salmon; WAC 220-57-160, restore seasons; WAC 220-57-190, season upstream from Old Highway 99 Bridge; WAC 220-57-250, salmon release above covered bridge; and WAC 220-57-430, define "adult salmon."

Number of Sections Adopted in Order to Comply with Federal Statute: New 0, amended 0, repealed 0; Federal Rules or Standards: New 0, amended 0, repealed 0; or Recently Enacted State Statutes: New 0, amended 0, repealed 0.

Number of Sections Adopted at Request of a Nongovernmental Entity: New 0, amended 0, repealed 0.

Number of Sections Adopted on the Agency's own Initiative: New 2, amended 42, repealed 0.

Number of Sections Adopted in Order to Clarify, Streamline, or Reform Agency Procedures: New 0, amended 0, repealed 0.

Number of Sections Adopted using Negotiated Rule Making: New 0, amended 0, repealed 0; Pilot Rule Making: New 0, amended 0, repealed 0; or Other Alternative Rule Making: New 0, amended 0, repealed 0.

Effective Date of Rule: Thirty-one days after filing.

PERMANENT

August 26, 1997
Bern Shanks, Ph.D.
Director

NEW SECTION

WAC 220-16-470 Wild. "Wild" when used to describe the difference between a hatchery fish and a nonhatchery fish means a fish with all fins intact. A fish missing an adipose or ventral fin with a healed scar at the site is not a wild fish.

AMENDATORY SECTION (Amending Order 96-44, filed 5/13/96, effective 6/13/96)

WAC 220-56-124 Unlawful provisions—Hoodport Hatchery. During the period October ~~((+6))~~ 1 through December 15, those waters of Catch Record Card Area 12 within a 2,000 foot arc seaward of yellow buoys at the mouth of Finch Creek at the Hoodport Salmon Hatchery are regulated as provided for in this section:

- (1) These waters are open to salmon angling regardless of the status of the surrounding waters of Area 12.
- (2) Special daily limit of four ~~((four))~~ salmon, except release chinook salmon - October 1 through October 15. Special daily limit of four salmon of which no more than two may be chinook salmon - October 16 through December 15.
- (3) During the period October ~~((+6))~~ 1 through December 15 it is unlawful to fish for or possess salmon taken from these waters from 8:00 p.m. to 6:00 a.m.

AMENDATORY SECTION (Amending Order 96-44, filed 5/13/96, effective 6/13/96)

WAC 220-56-190 Coastal salmon—Saltwater seasons and daily limits. It shall be unlawful to take, fish for or possess salmon taken by angling for personal use except from the following coastal areas, during the seasons, in the quantities, sizes and for the species designated in this section and as defined in the daily limit codes in WAC 220-56-180:

(1) ~~((Catch Record Card Areas 1, 2, 3, 4 and those waters of the Strait of Juan de Fuca west of the mouth of the Sekiu River—Closed.))~~ Catch Record Card Area 1 - Special daily limit of two salmon, special cumulative limit of four salmon in any seven consecutive days - Sundays through Thursdays only, July 21 through September 25, except closed 0-3 miles offshore and closed in the Columbia River Mouth Control Zone 1, see WAC 220-56-195.

(2) Catch Record Card Area 2 - Special daily limit of two salmon only one of which may be a chinook salmon, special cumulative limit of four salmon in any seven consecutive days - Sundays through Thursdays only, July 21 through September 25, except closed 0-3 miles offshore.

(3) Grays Harbor (Catch Record Card Area 2-2) (a) Special daily limit of six salmon, not more than four of which may be adult salmon, defined as chinook salmon over 24 inches in length, coho salmon over 20 inches in length or pink, chum or sockeye salmon greater than 12 inches in length - August 16 through January 31 in the Westport boat basin only. (b) Daily Limit A, except release all coho - September ~~((+6))~~ 1 through ~~((January 31))~~ September 30: Waters of Catch Record Card Area 2-2 east of the Channel Marker 13 Line.

~~((3))~~ (4) Willapa Bay (Catch Record Card Area 2-1) Special daily limit of six salmon, not more than ~~((four))~~ three of which may be adult salmon, defined as chinook salmon over 24 inches in length, coho salmon over 20 inches in length or pink, chum or sockeye salmon greater than 12 inches in length - August 16 through January 31.

(5) Catch Record Card Area 3 - Special daily limit of two salmon - July 21 through September 25.

(6) Catch Record Card Area 4 - (a) Waters west of the Bonilla-Tatoosh line - Special daily limit of two salmon, except release coho - July 21 through September 25. (b) Waters east of the Bonilla-Tatoosh line: September 15 through July 31, closed; August 1 through August 29 - Special daily limit of two salmon except release coho and chinook; August 30 through August 31 - Special daily limit of two salmon except release chinook; September 1 through September 14, catch and release only and terminal gear limited to surface flies only.

(7) Unless otherwise provided for in this section, minimum size 24 inches for chinook salmon and 16 inches for coho salmon. No minimum size for other salmon.

AMENDATORY SECTION (Amending Order 96-44, filed 5/13/96, effective 6/13/96)

WAC 220-56-191 Puget Sound salmon—Saltwater seasons and daily limits. It is unlawful to fish for or possess salmon taken by angling for personal use except from the following Puget Sound areas, during the seasons, in the quantities, sizes, and for the species designated in this section and as defined in the daily limit codes in WAC 220-56-180. Puget Sound waters west of the mouth of the Sekiu River are managed concurrent with ocean waters as provided for in WAC 220-56-190. In all fisheries provided for in this section, chinook salmon minimum size 22 inches and no minimum size for other salmon.

(1) Catch Record Card Areas 5 and 6 -

(a) Special daily limit of 2 salmon April 16 through June 15 except all chinook salmon greater than 30 inches in length and all coho salmon must be released.

(b) During the period April 16 through September 30 and November 1 through April 15, Dungeness Bay is closed to salmon angling. October 1 through October 31, special daily limit of two coho salmon.

(c) Special daily limit of 2 salmon June 16 through ~~((October 31—Closed))~~ June 30, except release coho.

(d) ~~((Notwithstanding the provisions of this subsection October 1 through October 31 in Dungeness Bay—Special daily limit of 2 coho salmon.))~~ July 1 through July 31 - Closed.

(e) ~~((November))~~ August 1 through August 10 - Special daily limit of 2 salmon, except release coho and chinook.

(f) August 11 through September 15, special daily limit of 2 salmon, except release chinook.

(g) September 16 through January 31 - Closed.

(h) February 1 through April 15 - Special daily limit of 2 salmon. Release all coho.

(2) Catch Record Card Area 7:

(a) ~~((May))~~ October 1 through ~~((April 30))~~ July 31 - Special daily limit of 2 salmon. During the period April 16 through June 15 all chinook salmon greater than 30 inches in length must be released.

(b) August 1 through September 30 - Special daily limit of 4 salmon, not more than 2 of which may be coho or chinook.

(c) Notwithstanding the provisions of this subsection during the period (~~(September)~~) October 1 through (~~(November 30)~~) December 31 the special daily limit in Bellingham Bay is 4 salmon not more than 2 of which may be chinook.

(3) Catch Record Card Area 8-1:

(a) (~~(September 1 through October 31—Open only in those waters of Oak Harbor west of a line from Forbes Point to Blowers Bluff (Oak Harbor). Special daily limit of 2 coho salmon.~~)

(b) ~~(November 1)~~ September 16 through April 15 - Special daily limit of 2 salmon. During the period September 16 through September 30 release chinook.

(b) April 16 through August 15 - Closed.

(c) August 16 through September 15 - Special daily limit of 4 salmon, not more than 2 of which may be coho and release all chinook.

(4) Catch Record Card Area 8-2:

(a) August 1 through September 30 - (~~(Open in)~~) Special daily limit of 2 salmon except release chinook salmon taken outside the Tulalip Bay zone, defined as those waters adjacent to Tulalip Bay west of a line from Mission Point to Hermosa Point and within 2,000 feet from shore between the pilings at Old Bowers Resort northerly to a fishing boundary marker approximately 1.4 miles northwest of Hermosa Point (~~(Tulalip Special Area Fishery). Special daily limit of 2 salmon~~).

(b) October 1 through (~~(April 30)~~) May 31 - Special daily limit of 2 salmon.

(c) (~~(May)~~) June 1 through (~~(September 30)~~) July 31 - Closed.

(5) Catch Record Card Area 9:

(a) (~~(May)~~) November 1 through (~~(July 4)~~) June 30 - Special daily limit of 2 salmon.

(b) July (~~(5)~~) 1 through (~~(October 15)~~) July 31 - Closed.

(c) (~~(October 16)~~) August 1 through (~~(October 31)~~) September 1 - Special daily limit of 2 salmon except release (~~(coho)~~) chinook salmon.

(d) (~~(November 1 through April 30—Special daily limit of 2 salmon.)~~) September 2 through September 30 - Closed.

(e) October 1 through October 31 - Special daily limit of 2 salmon except release coho.

(f) Notwithstanding the provisions of this subsection, salmon fishing is permitted year-~~(around)~~ round from the Edmonds Fishing Pier - Special daily limit of 2 salmon and all salmon species may be retained.

(~~(f) Notwithstanding the provisions of this subsection, those waters of Port Gamble south of a line from the Point Julia Dock true west to the mainland—Open September 1 through October 31—Special daily limit of 2 salmon.~~)

(6) Catch Record Card Area 10:

(a) October 16 through (~~(July 4)~~) June 30 - Special daily limit of 2 salmon.

(b) July (~~(5)~~) 1 through October 15 - (~~(Open only in those waters south of Agate Pass Bridge and those waters south of a line from Restoration Point to Alki Point.)~~) Special daily limit of 2 salmon except:

(i) During the period July 1 through September 15, Elliott Bay east of a line from Pier 91 to Duwamish Head is closed.

(ii) During the period July 1 through October 15, Shilshole Bay east of a line from Meadow Point to West Point is closed.

(iii) During the period July 1 through August 31, release chinook in waters north of a line from West Point to Skiff Point and in waters northeast of the Agate Pass Bridge.

(iv) During the period September 16 through October 15, release chinook in the Duwamish Waterway from the First Avenue South Bridge to an east-west line through SW Hanford Street on Harbor Island.

(c) Notwithstanding the provisions of this subsection, salmon fishing is permitted year-~~(around)~~ round from the Elliott Bay public fishing pier at Terminal 86 and Seacrest Pier - Special daily limit of 2 salmon and all salmon species may be retained.

(7) Catch Record Card Area 11 - May 1 through April 30 - Daily limit of 2 salmon.

(8) Catch Record Card Area 12 (~~(—May 1)~~):

(a) December 16 through (~~(October 31, closed except Quileene/Dabob Bays northerly of a line drawn due east from Whitney Point open August 16 through October 31.)~~) July 15 - Special daily limit of 2 (~~(coho)~~) salmon. (~~(November 1 through April 30—Daily limit of 2 salmon except)~~)

(b) July 16 through September 30 - Special daily limit of 4 salmon, not more than 2 of which may be pink salmon and release all chinook and chum.

(c) October 1 through October 15 - Special daily limit of 4 salmon, not more than 2 of which may be chinook and release all chum.

(d) October 16 through December 15 - Special daily limit of 4 salmon, not more than two of which may be chinook.

(e) Waters of the Hoodspout Hatchery Zone are managed separately as provided for in WAC 220-56-124.

(9) Catch Record Card Area 13 - May 1 through April 30 - Daily limit of 2 salmon.

(10) In the above waters there are specified closures as provided for in WAC 220-56-128 and 220-56-195. Additionally, there are gear and area restrictions at Shilshole Bay, the Duwamish Waterway, and Budd Inlet, and at Titlow Beach and the Edmonds underwater park and the Elliott Bay, Les Davis, and Des Moines public fishing piers. See specific sections in chapter 220-56 WAC for salmon angling restrictions at these locations.

AMENDATORY SECTION (Amending Order 96-44, filed 5/13/96, effective 6/13/96)

WAC 220-56-195 Closed areas—Saltwater salmon angling. The following areas shall be closed to salmon angling during the times indicated:

(1) Skagit Bay: Those waters lying easterly of a line projected from West Point on Whidbey Island to Reservation Head on Fidalgo Island, northerly of a line projected from Polnell Point to Rocky Point, northerly of the state Highway 532 Bridge between Camano Island and the mainland and south of a line between the south end of McGlenn Island and the light at the south end of Fidalgo Island (Qk Fl) at the south end of Swinomish Slough shall be closed to salmon angling April 16 through June 15.

(2) Bellingham Bay: Those waters of Bellingham, Samish and Padilla Bays southerly of a line projected from the most westerly point of Gooseberry Point to Sandy Point, easterly of a line from Sandy Point to Point Migley thence

along the eastern shoreline of Lummi Island to Carter Point, thence to the most northerly tip of Vendovi Island thence to Clark Point on Guemes Island following the shoreline to Southeast Point on Guemes Island thence to March Point on Fidalgo Island and north of the Burlington Railroad Bridges at the north end of Swinomish Slough shall be closed to salmon angling April 16 through July 31.

(3) Carr Inlet:

(a) Those waters north of a line from Green Point to Penrose Point are closed to salmon angling (~~from~~) April 16 through July 31.

(b) Those waters of Carr Inlet within 1,000 feet of the outer oyster stakes at the mouth of Minter Creek are closed to salmon angling April 16 through September 30.

~~((c) Those waters of Carr Inlet and Hale Passage north of a line from Penrose Point to the Carr Inlet Acoustic Range Naval Facility Pier and northwesterly of the Fox Island Bridge shall be closed to salmon angling from April 16 through June 15.)~~

(4) Dungeness Bay: Those waters westerly of a line from Dungeness Spit Light to the number 2 red buoy, and then to the Port Williams boat ramp are closed to salmon angling April 16 through September 30 and November 1 through April 15.

(5) Samish Bay: Those waters southerly of a line projected true east from Fish Point are closed to salmon angling August 1 through October 15.

(6) ~~(Port Susan: Those waters of Port Susan north of a line from Camano Head to Hermosa Point are closed to salmon angling April 16 through September 30 except waters of the Tulalip Special Area Fishery as provided for in WAC 220-56-191 (4)(a).~~

(7)) Columbia River Mouth Control Zone 1: Washington waters within Control Zone 1, which Control Zone is described as the ocean area surrounding the Columbia River mouth west of the Buoy 10 line and bounded by a line extending for 6 nautical miles due west from North Head along 46°18'00" N. latitude to 124°13'18" W. longitude, then southerly along a line of 167° true to 46°11'06" N. latitude and 124°11'00" W. longitude (Columbia River Buoy), then northeast along Red Buoy Line to the tip of the south jetty are closed to salmon angling at all times except open to fishing from the north jetty when adjacent waters north of the Control Zone are open to salmon angling or the Buoy 10 fishery is open.

~~((8))~~ (7) Commencement Bay: Those waters east of a line projected from the Sperry Ocean Dock to landfall below the Cliff House Restaurant on the north shore of Commencement Bay are closed (~~from~~) April 16 through June 30.

AMENDATORY SECTION (Amending Order 97-53, filed 3/19/97, effective 5/1/97)

WAC 220-56-205 Hook rules—Nonbuoyant lures.

It is unlawful to fish for or to possess salmon taken for personal use from freshwater unless the hooks used meet the requirements of this section:

(1) Nonbuoyant lure restriction: In the following waters and during the periods shown, it is unlawful to use a nonbuoyant lure that has more than one single hook or has a hook measuring more than 3/4 inch point to shank:

Area	Time period
Naselle River (including all forks) <u>Hwy 101 Bridge to Hwy 4 Bridge</u> <u>Hwy 4 Bridge to Big Hill Bridge</u>	((September 1-November 30)) <u>July 1-January 31</u> <u>October 16-January 31</u>
Willapa River <u>Mouth to Hwy 6 Bridge</u> <u>Hwy 6 Bridge to Fork Creek</u>	((September 1-November 30)) <u>October 1-November 30</u> <u>October 16-January 31</u>
Humptulips River Satsop River (including all forks) ((North)) <u>Nemah River-North Fork</u> <u>Nemah River-Middle Fork</u>	September 1-November 30 September 1-November 30 ((September)) <u>October 1-November 30</u> <u>September 1-November 30</u>
Dungeness and Gray Wolf Rivers Kennedy Creek ((South Fork)) <u>Nooksack River-South Fork Mouth to Skookum Creek</u>	August 1-October 15 October 1-December 31 August 1-October 31
((South Fork)) <u>Nooksack River-South Fork Upstream from Skookum Creek</u> Big Quilcene River	June 1-September 30 August 1-December 31 August 1-December 31
Samish River Stillaguamish River (including all forks) Whatcom Creek	August 1-November 30 August 1-December 31
Cowlitz River From Mill Creek to Barrier Dam	((April)) <u>August 1-October 31</u>
Kalama River ((From 200 feet above Modrow Trap to mouth)) <u>Mouth to temporary rack</u>	September 1-October 31
((North)) <u>Lewis River-North Fork</u> From ((overhead powerlines below Ariel Dam to)) lower Cedar Creek Boat Ramp <u>to Colvin Creek</u>	April 1-October 31

Washougal River Downstream of Salmon Falls Bridge	September 1-October 31
Icicle River From Leavenworth Federal Fish Hatchery to mouth	May 8-June 30
Wenatchee River From mouth of Icicle River to Highway 2 Bridge	May 8-June 15
Skagit River (and tributaries) Upstream of Gilligan Creek	July 1-November 30
Tokul Creek From mouth to posted cable markers	December 1-March 31
Capitol Lake	August 1-November 30
Deschutes River	August 1-November 30
Elochoman River	September 1- (November 30) <u>October 31</u>
Grays River	September 1- (November 30) <u>October 31</u>
Green/Duwamish River mouth to Highway 164 Bridge	August 1-November 30
McAllister Creek	August 1-November 30
Nisqually River	August 1-November 30
Puyallup River mouth to Carbon River	August 1-November 30
Skykomish River (including all forks)	August 1-November 30
Snohomish River	August 1-November 30
White/Stuck River	October 1-November 30
<u>Toutle River-North Fork</u> <u>Highway 504 Bridge near Kidd Valley</u> <u>to mouth of Green River</u>	<u>September 1-October 31</u>
<u>Green River (Cowlitz Co.)</u> <u>mouth to 1500 feet below hatchery rack</u>	<u>September 1-October 31</u>

PERMANENT

- (2) No leads, weights or sinkers may be attached below or less than 12 inches above a buoyant lure.
- (3) All hooks must be attached within three inches of the bait or lure.

AMENDATORY SECTION (Amending Order 96-44, filed 5/13/96, effective 6/13/96)

WAC 220-57-130 Bogachiel River. Daily Limit A except release adult coho salmon - July 1 through November 30: Downstream from the Highway 101 Bridge. Single point barbless hooks required.

AMENDATORY SECTION (Amending Order 96-44, filed 5/13/96, effective 6/13/96)

WAC 220-57-135 Calawah River. Daily Limit A except release adult coho salmon - July 1 through November 30: Downstream from the Highway 101 Bridge. Single point barbless hooks required.

AMENDATORY SECTION (Amending Order 96-44, filed 5/13/96, effective 6/13/96)

WAC 220-57-137 Carbon River. Daily Limit A except up to 4 adult salmon may be retained, provided that not more than 2 are adult chinook and release all pink salmon - September 1 through November 30 downstream from the ~~((old bridge abutments near the east end of Bridge Street in Orting))~~ mouth of Voight Creek.

NEW SECTION

WAC 220-57-13701 Cascade River. Special daily limit of 2 salmon except release wild coho - October 1 through November 30: Upstream from mouth to hatchery road bridge.

AMENDATORY SECTION (Amending Order 95-46, filed 5/31/95, effective 7/1/95)

WAC 220-57-140 Chehalis River. (1) Daily Limit A - ~~((July 1))~~ May 16 through ~~((August 31))~~ July 15: Downstream from the ~~((Porter))~~ high bridge on the Weyerhaeuser 1000 line approximately 400 yards downstream of Roger Creek.

(2) Daily Limit A - September 1 through ~~((October 31))~~ September 30 except release adult coho salmon: Downstream from the ~~((Melton Street))~~ Porter Bridge ((in Centralia)). Single point barbless hooks required.

~~((3))~~ Daily Limit A - November 1 through January 31: Downstream from the high bridge on Weyerhaeuser Logging Road Number 17.)

AMENDATORY SECTION (Amending Order 96-44, filed 5/13/96, effective 6/13/96)

WAC 220-57-155 Clearwater River (Jefferson County). Daily Limit A except release adult coho salmon - June 1 through ~~((August 31))~~ November 30: Downstream from the mouth of the Snahpish River.

AMENDATORY SECTION (Amending Order 97-53, filed 3/19/97, effective 5/1/97)

WAC 220-57-160 Columbia River. (1) Daily Limit C - June 1 through December 31: Downstream from Chief Joseph Dam to Rocky Reach Dam.

(2) Rocky Reach Dam to Priest Rapids Dam: Daily Limit C - June 1 through September 15; Daily Limit A - September 16 through December 31.

(3) Priest Rapids Dam to the Vernita Bridge: Daily Limit C - June 1 through August 15; Daily Limit A - August 16 through October 31; Daily Limit C - November 1 through December 31.

(4) Vernita Bridge to old Hanford townsite wooden power line towers; Daily Limit C - June 16 through August 15; Daily Limit A - August 16 through October 22.

(5) Old Hanford townsite wooden power line towers to Highway 395 Bridge connecting Pasco and Kennewick: Daily Limit C - June 1 through August 15; Daily Limit A - August 16 through December 31.

(6) Highway 395 Bridge connecting Pasco and Kennewick to the Interstate 5 Bridge: Daily Limit A - August 1 through December 31. It is unlawful to take or possess sockeye or chum salmon taken downstream of the Highway 395 Bridge.

(7) Interstate 5 Bridge to the Megler-Astoria Bridge: Daily Limit A - August 1 through March 31. During September, it is unlawful to fish for or possess salmon taken for personal use in those waters of the Columbia River north of a line from Abernathy Point Light to a boundary marker east of the mouth of Abernathy Creek. It is unlawful to take or possess sockeye or chum salmon taken downstream from the Interstate 5 Bridge to the Megler-Astoria Bridge.

(8) Megler-Astoria Bridge to the Buoy 10 Line:

(a) Daily Limit F (~~(except release chinook salmon)~~) - August 1 through ~~(Labor Day. It is unlawful to use barbed hooks in the fishery provided for in this subsection.)~~

~~(b) Daily limit F the day after Labor Day through))~~ September 30.

~~((e))~~ (b) Daily Limit A - October 1 through March 31.

~~((d))~~ (c) It is unlawful to take or possess sockeye or chum salmon taken downstream from the Megler-Astoria Bridge to the Buoy 10 Line.

~~((f))~~ (8) North Jetty (mouth of Columbia River): Open to angling from the bank only when state waters north of the control zone are open to salmon angling. During such periods fishing from the north jetty is open 7 days per week and the daily limit shall be the same as for the ocean waters when open. Also open to angling from the bank only concurrent with the Buoy 10 fishery. Daily limit and gear requirement will be identical with those in the Buoy 10 fishery. It is unlawful to take or possess sockeye or chum salmon taken from the North Jetty.

Reviser's note: The typographical error in the above section occurred in the copy filed by the agency and appears in the Register pursuant to the requirements of RCW 34.08.040.

AMENDATORY SECTION (Amending Order 96-44, filed 5/13/96, effective 6/13/96)

WAC 220-57-175 Cowlitz River. (1) Daily Limit A except ~~((release chinook salmon greater than 24 inches in length August 1 through October 15 and))~~ release chinook salmon greater than 28 inches in length caught upstream [25]

from Blue Creek October ~~((16))~~ 1 through December 31 - August 1 through April 30: Downstream from fishing boundary markers approximately 400 feet below barrier dam structures at the Cowlitz Salmon Hatchery Barrier Dam except closed to salmon angling from the markers to the mouth of Mill Creek when fishing from the south shore August 1 through October 15.

(2) Special daily limit of one salmon - May 1 through July 31: Downstream from I-5 Bridge.

(3) Salmon angling from boats is prohibited the entire year in designated open waters between the barrier dam and a line from the mouth of Mill Creek to a boundary marker on the opposite shore.

(4) Daily Limit A except minimum size of 8 inches - open the entire year: From the confluence of the Muddy Fork and Ohanapecosh rivers downstream to Scanewa Lake (Cowlitz Falls Reservoir).

AMENDATORY SECTION (Amending Order 95-46, filed 5/31/95, effective 7/1/95)

WAC 220-57-190 Deschutes River. Daily Limit A except release coho salmon - July 1 through November 30: Upstream from ~~((Interstate 5 Bridge except closed from a point 400 feet below the lower fish ladder at Tumwater Falls upstream to))~~ the Old Highway 99 Bridge immediately upstream from Tumwater Falls.

AMENDATORY SECTION (Amending Order 96-44, filed 5/13/96, effective 6/13/96)

WAC 220-57-200 Dickey River. Daily Limit A except release adult coho salmon - July 1 through November 30: Downstream of the mouth of east fork of the Dickey River to the National Park boundary. Single point barbless hooks required.

AMENDATORY SECTION (Amending Order 95-46, filed 5/31/95, effective 7/1/95)

WAC 220-57-230 Elk River. ~~((Daily Limit A July 1 through January 31: Downstream from the confluence of the west and middle forks to the Highway 105 Bridge.))~~ Closed to salmon angling the entire year.

AMENDATORY SECTION (Amending Order 96-44, filed 5/13/96, effective 6/13/96)

WAC 220-57-235 Elochoman River. (1) Daily Limit A ~~((except release chinook salmon 24 inches in length and greater))~~ - September 1 through ~~((October 15))~~ September 30: Downstream from the mouth of the west fork.

(2) Daily Limit A except release chinook salmon greater than 28 inches ~~((or greater))~~ taken upstream from the Foster Road Bridge - October ~~((16))~~ 1 through December 31: Downstream from the mouth of the west fork.

(3) The following waters are closed to salmon angling at all times:

(a) From a point 100 feet above the upper hatchery rack to the Elochoman Salmon Hatchery Bridge located approximately 400 feet below the upper hatchery rack.

(b) From the department of fish and wildlife's temporary rack downstream to Foster (Risk) Road Bridge while this rack is installed in the river.

(c) Between points 50 feet above and 100 feet below the outlet pipes from the most downstream Elochoman Salmon Hatchery rearing pond and extending 30 feet out from the south bank of the river.

(d) From the Beaver Creek Bridge to 200 feet below the weir at Beaver Creek Hatchery.

AMENDATORY SECTION (Amending Order 96-44, filed 5/13/96, effective 6/13/96)

WAC 220-57-240 Elwha River. (1) Special daily limit ((A except release chinook, pink and chum salmon)) of six coho of which no more than four can be adult coho - October 1 through ((October 31)) November 15.

(2) It is unlawful to fish for or possess salmon taken from the waters of the Elwha River between markers located approximately 50 yards upstream and downstream from the tribal hatchery outfall, from the slough connecting the hatchery outfall to the mainstem of the river or within 200 feet downstream of the south spillway on Aldwell Lake Dam to Aldwell Dam.

AMENDATORY SECTION (Amending Order 95-46, filed 5/31/95, effective 7/1/95)

WAC 220-57-250 Grays River. Daily Limit A except release all chum salmon and release chinook salmon ((24)) greater than 28 inches in length ((or greater)) caught upstream of the covered bridge October 1 through October 31 - September 1 through October 31: Open from mouth to mouth of South Fork Grays River. West Fork Grays River closed to salmon angling.

AMENDATORY SECTION (Amending Order 95-46, filed 5/31/95, effective 7/1/95)

WAC 220-57-255 Green River (Cowlitz County). ((Closed to salmon angling the entire year.)) Daily Limit A except release chinook salmon over 28 inches in length October 1 through November 30 - September 1 through November 30: Mouth to 1000 Road Bridge. Closed waters from 1,500 feet below salmon hatchery rack upstream to the water intake at the upper end of the hatchery grounds.

AMENDATORY SECTION (Amending Order 95-46, filed 5/31/95, effective 7/1/95)

WAC 220-57-270 Hoh River. (1) Daily Limit C - May 16 through August 31: Downstream from the mouth of the south fork Hoh to the Morgan's Crossing boat launch, including Olympic National Park.

(2) Daily Limit A - May 16 through August 31: Downstream from the Morgan's Crossing boat launch to the Highway 101 Bridge.

(3) Daily Limit A except release adult coho salmon - ((September 1)) May 16 through November 30: Downstream from the Highway 101 Bridge. Single point barbless hooks required.

AMENDATORY SECTION (Amending Order 95-46, filed 5/31/95, effective 7/1/95)

WAC 220-57-280 Hoquiam River—All forks. ((Main Hoquiam River, west fork of Hoquiam River downstream from the bridge on the Dekay Road and east fork of Hoquiam River downstream from the abandoned flat ear

bridge below the mouth of Berryman Creek—Daily Limit A—July 1 through January 31.)) Closed to salmon angling the entire year.

AMENDATORY SECTION (Amending Order 95-46, filed 5/31/95, effective 7/1/95)

WAC 220-57-285 Humptulips River. ((1) Daily Limit C—July 1 through January 31: Downstream of confluence of east and west forks to Highway 101 Bridge.

((2)) Daily Limit A - ((July 1)) September 1 through ((January 31)) October 15: Downstream from the Highway 101 Bridge.

AMENDATORY SECTION (Amending Order 95-46, filed 5/31/95, effective 7/1/95)

WAC 220-57-300 Johns River. ((Daily Limit A—July 1 through January 31: Downstream from Old M&B Logging Camp Bridge at upper boundary of Johns River Habitat Management Area to Highway 105 Bridge.)) Closed to salmon angling the entire year.

AMENDATORY SECTION (Amending Order 96-44, filed 5/13/96, effective 6/13/96)

WAC 220-57-310 Kalama River. (1) Daily Limit A - June 1 through December 31: From Summers Creek upstream to the 6420 Road (approximately one mile above the gate at the end of the county road) fly fishing only.

(2) Daily Limit A - open the entire year: Downstream from the mouth of Summers Creek to the markers approximately 1,000 feet above the Kalama Falls (Upper) Salmon Hatchery.

(3) Daily Limit A except release chinook salmon greater than twenty-eight inches in length ((or greater)) during the period October ((46)) 1 through December 31 upstream from the natural gas pipeline - August 1 through April 30: Downstream from a point 1,000 feet below the fishway at the upper salmon hatchery to the Modrow Bridge, with the following special gear restrictions: During the period September 1 through October 31, that portion of the Kalama River from markers at the Lower Kalama Hatchery pumphouse (intake) downstream to the natural gas pipeline crossing at Mahaffey's Campground fly fishing only.

(4) Daily Limit A ((except special daily limit of 1 salmon May 1 through July 31)) - ((May)) August 1 through April 30: Downstream from Modrow Bridge, except during the time the department of fish and wildlife's temporary rack is installed just below the Modrow Bridge, that portion of the river from ((a point 200 feet above)) the temporary rack downstream to a set of markers 1,500 feet below the temporary rack is closed to salmon angling and August 1 through October 15 those waters downstream from the temporary rack are closed to salmon angling.

(5) Fishing from boats with motors is prohibited at all times in waters upstream of the Modrow Bridge.

AMENDATORY SECTION (Amending Order 96-44, filed 5/13/96, effective 6/13/96)

WAC 220-57-319 Lewis River. (1) Mainstem - Daily Limit A except during the period May 1 through July 31 the daily limit is one salmon and release chinook ((greater than

~~24 inches in length~~) August 1 through December 31 - Open entire year: Downstream from east fork to mouth.

(2) East fork:

(a) Daily Limit A except 20 inch minimum length - April 16 through May 31: Downstream from posted markers at top boat ramp at Lewisville Park.

(b) Daily Limit A except 14 inch minimum length - June 1 through July 31 (~~and October 16 through March 15~~): Downstream from posted markers downstream from Lucia Falls. (~~All chinook salmon over 28 inches must be released during the period October 16 through December 31.~~)

(3) North fork:

(a) Daily Limit A except during the period May 1 through July 31 the daily limit is one salmon and release chinook salmon (~~greater than 24 inches in length~~) August 1 through December 31 - January 1 through December 31: Downstream from Johnson Creek.

(b) Daily Limit A except release chinook salmon (~~greater than 24 inches in length~~) August 1 through December 31 - August 1 through April 30: Downstream from the mouth of Colvin Creek (approximately 1/4 mile upstream of the salmon hatchery) to Johnson Creek, except that at all times it is unlawful to take, fish for or possess salmon taken for personal use from waters shoreward of the cable, buoy, and corkline located at the mouth of the Lewis River Salmon Hatchery Fishway. During the period August 16 through October 15, bank fishing only.

(c) Daily Limit A except release chinook salmon (~~greater than 24 inches in length~~) August 1 through September 30 - August 1 through September 30 and January 1 through April 30: Downstream from the overhead powerlines downstream from Merwin Dam to Colvin Creek.

AMENDATORY SECTION (Amending Order 96-44, filed 5/13/96, effective 6/13/96)

WAC 220-57-370 Puyallup River. Daily Limit A except (~~up to 4 adult salmon may be retained provided no more than 2 are chinook~~) release pink salmon in odd-numbered years - (~~July 16~~) August 1 through (~~November 30~~) December 15: Downstream from the mouth of the Carbon River to the 11th Street Bridge.

AMENDATORY SECTION (Amending Order 96-44, filed 5/13/96, effective 6/13/96)

WAC 220-57-385 Quillayute River. Daily Limit A except release adult coho salmon - March 1 through November 30: Downstream from the confluence of the Soleduck and Bogachiel rivers including Olympic National Park waters. Single point barbless hooks required.

AMENDATORY SECTION (Amending Order 95-46, filed 5/31/95, effective 7/1/95)

WAC 220-57-415 Satsop River. Daily Limit A (~~except release chinook salmon upstream from middle fork at all times and release chinook salmon downstream from middle fork during the period July 1 through~~) October (~~31 - July 1~~) 10 through (~~January 31~~) November 2: Downstream from the bridge at Schafer State Park on east fork. Single point barbless hooks required.

AMENDATORY SECTION (Amending Order 96-44, filed 5/13/96, effective 6/13/96)

WAC 220-57-425 Skagit River. (1) Special daily limit of (~~2 chum~~) 4 salmon not more than 2 of which may be coho salmon and release all chinook salmon - ((November 1) August 16 through ((December) October 31: Downstream from the mouth of (~~Corkindale Creek~~) the Cascade River. Only one single barbless hook may be used and bait is prohibited upstream from the Sauk River.

(2) Special daily limit of 2 salmon except release coho salmon - November 1 through December 31.

(3) All waters of the Skagit River between a line projected across the thread of the river 200 feet above the east bank of the Baker River and a line projected across the thread of the river 200 feet below the west bank of the Baker River are closed.

AMENDATORY SECTION (Amending Order 95-46, filed 5/31/95, effective 7/1/95)

WAC 220-57-430 Skokomish River. (~~(1) Daily Limit A except release coho and chum salmon - August 1 through August 31: Downstream from the Highway 101 Bridge.~~

(2)) Special daily limit ((A except release coho salmon) of six salmon, not more than four of which may be adult salmon defined as chinook salmon 24 inches in length or greater, coho salmon 16 inches in length or greater, or other salmon 12 inches in length or greater, and release all adult chinook salmon - ((November 1) September 20 through December 15: Downstream from the Highway 101 Bridge.

AMENDATORY SECTION (Amending Order 96-44, filed 5/13/96, effective 6/13/96)

WAC 220-57-435 Skykomish River. (1) Special daily limit of two salmon except release chinook salmon and pink salmon - September 1 through December 31: Downstream from the confluence of north and south forks.

(2) During even-numbered years it is unlawful to retain pink salmon.

AMENDATORY SECTION (Amending Order 96-44, filed 5/13/96, effective 6/13/96)

WAC 220-57-460 Sol Duc River. Daily Limit A except release adult coho salmon - March 1 through November 30: Downstream from the concrete pump station at the Sol Duc Hatchery. Single point barbless hooks required.

AMENDATORY SECTION (Amending Order 96-44, filed 5/13/96, effective 6/13/96)

WAC 220-57-465 Stillaguamish River. (1) Special daily limit of 4 pink salmon - August 16 through September 30: Downstream from the confluence of the north and south forks except waters of Cook Slough are closed at all times from the water flow control structure to a point 400 feet downstream.

(2) Special daily limit of two chum salmon - November 1 through December 31: Downstream from confluence of north and south forks except waters of Cook Slough are closed at all times from the water flow control structure to a point 400 feet downstream.

AMENDATORY SECTION (Amending Order 95-46, filed 5/31/95, effective 7/1/95)

WAC 220-57-480 Toutle River—North Fork. ~~((Closed to salmon angling the entire year.))~~ Daily Limit A except release chinook salmon over 28 inches in length October 1 through November 30 - September 1 through November 30: Highway 504 Bridge to mouth of Green River.

NEW SECTION

WAC 220-57-493 Wallace River. Special daily limit of 2 coho salmon - September 1 through November 30: Downstream from the Highway 2 Bridge.

AMENDATORY SECTION (Amending Order 96-44, filed 5/13/96, effective 6/13/96)

WAC 220-57-495 Washougal River. Daily Limit A except release chinook salmon over 28 inches in length upstream from the mouth of Little Washougal River during the period October ~~((46))~~ 1 through December 31 - June 1 through ~~((July 31 and October 16 through))~~ March 15: Downstream from bridge at Salmon Falls to mouth.

AMENDATORY SECTION (Amending Order 95-46, filed 5/31/95, effective 7/1/95)

WAC 220-57-525 Wynoochee River. Daily Limit A except release adult coho salmon - ((July)) September 1 through ((January)) October 31: Downstream from the 7400 line bridge upstream of the mouth of Schafer Creek. Single point barbless hooks required.

AMENDATORY SECTION (Amending Order 95-46, filed 5/31/95, effective 7/1/95)

WAC 220-57A-145 Sammamish Lake. ~~((Closed to salmon angling the entire year.))~~ Special daily limit of 2 coho salmon - October 1 through November 30. Waters within 1/4 mile of the mouth of Issaquah Creek are closed.

AMENDATORY SECTION (Amending Order 95-46, filed 5/31/95, effective 7/1/95)

WAC 220-57A-175 Lake Washington. ~~((Closed to salmon angling the entire year.))~~ Special daily limit of 2 coho salmon - October 1 through November 30. Open only north of Hwy 520 Bridge and east of the Montlake Bridge.

AMENDATORY SECTION (Amending Order 97-50, filed 3/19/97, effective 5/1/97)

WAC 232-12-001 Definition of terms. Definitions used in rules of the commission are defined in RCW 77.08.010. In addition, unless otherwise provided:

(1) "Snagging" means an effort to take fish with a hook and line in a manner such that the fish does not take the hook voluntarily in its mouth.

(2) "Gaffing" means an effort to take fish by impaling the fish with a hook attached directly to a pole or other device.

(3) "Spearing" and "spear fishing" means an effort to take fish by impaling the fish on a shaft, arrow, or other device.

Permanent

(4) A "valid" license, permit, tag, stamp or catch record card means a license, permit, tag, stamp, or catch record card that was issued to the bearer for the current season and is required to hunt, fish or possess wildlife and has not been altered except as provided by rule of the commission.

(5) "Hook" means one single, double, or treble hook. A "single hook" means a hook having a single point; a "double hook" means a hook having two points on a common shank; and a "treble hook" means a hook having three points on a common shank. "Barbless hook" means a hook on which all barbs have been deleted when manufactured, filed off, or pinched down.

(6) "Falconry" means possession, control, or use of a raptor for the purpose of hunting and free flight training.

(7) "Anadromous game fish" means:

(a) Steelhead trout, *Oncorhynchus mykiss*, defined as any searun rainbow trout over twenty inches in length

(b) Searun cutthroat, *Oncorhynchus clarkii*

(c) Searun Dolly Varden, *Salvelinus malma*

(8) "Handgun" means any pistol, revolver or short firearm with a barrel length of less than sixteen inches and does not have a shoulder stock.

(9) "Lure" means a manufactured article constructed of feathers, hair, fiber, wood, metal, glass, cork, leather, rubber or plastic which does not use scent and/or flavoring to attract fish. "Nonbuoyant lure" means a lure, complete with hooks, swivels or other attachments, that does not float in freshwater.

(10) "Bait" means any substance which attracts fish or wildlife by scent and/or flavor. Bait includes any device made of feathers, hair, fiber, wood, metal, glass, cork, leather, rubber or plastic which uses scent and/or flavoring to attract fish or wildlife.

(11) "Possession limit" means the number of daily limits allowed to be retained in the field or in transit.

(12) "Daily limit" means the maximum number of game fish which a person may legally retain in a single day.

(13) "Boat fishing" means fishing while in or on a boat, raft, or any other floating device.

(14) "Catch-and-release" means a type of angling where none of the fish caught are retained by the angler.

(15) "Fish in possession" means any fish retained, secure from escape, whether dead or alive. Bass or Walleye may be caught, retained, and released alive from a livewell until a daily limit is in possession.

(16) "Mouth" of stream, river, or slough means those waters upstream of a line projected between the outermost uplands at the mouth. Outermost uplands means those lands are not covered by water during an ordinary high water.

(17) Fish length means the length of a fish measured from snout to tip of tail not fork.

(18) Slough means any swamp, marsh, bog, pond, side-channel, or backwater connected to a river by water. Many waters commonly called sloughs are not connected to a river and, therefore, are considered lakes.

(19) "In the field or in transit" means any place other than at the ordinary residence of the harvester. An ordinary residence is a residential dwelling where a person normally lives, with associated features such as address, telephone number, utility account, etc. A motorhome or camper parked at a campsite or a vessel are not considered to be an ordinary residence.

(20) "Seasonal wild steelhead limit" means the maximum number of wild steelhead trout any one angler may retain from May 1st through the following April 30th.

(21) "Wild steelhead" means a steelhead trout that does not have the adipose or a ventral fin removed and a healed scar at the removal site.

(22) "Fresh" means game fish that are refrigerated, iced, salted, or surface glazed.

(23) "Frozen" means a game fish that is hard frozen throughout.

(24) "Processed" means a game fish that has been processed by heat for human consumption as kippered, smoked, boiled or canned.

(25) "Juvenile" means a person under fifteen years old.

(26) "Wild (~~trout~~)" when used to describe the difference between a hatchery fish and a nonhatchery fish means a (~~trout with a~~) fish with all fins intact. A fish missing an adipose fin (~~and~~) or a ventral fin with a healed scar at the location of the missing fin is not a wild fish.

AMENDATORY SECTION (Amending Order 97-50, filed 3/19/97, effective 5/1/97)

WAC 232-12-619 Permanent Washington state-wide game fish regulations. The following state-wide regulations apply to all waters unless modified under regional regulation exceptions.

(1) Fishing seasons open at 12:01 a.m. on the first day and close at 11:59 p.m. on the last day.

(2) It is unlawful to:

(a) Use a gaff hook to land steelhead in waters designated as "wild steelhead release."

(b) Take bullfrogs except by angling, hand dip netting, spearing (gigging) or with bow and arrow. A hunting license is required to take bullfrogs.

(c) Feed or use any substance to attract game fish unless specifically authorized by special regulations.

(d) Fish for game fish with a bow and arrow or spear.

(e) Possess fish which are under the minimum size or over the maximum size as shown in general or special regional regulations.

(3) Annual limit - steelhead trout only: Each adult angler who possesses a valid steelhead catch record card may not retain more than thirty steelhead over twenty inches in length per year (May 1 to April 30).

(4) Military personnel, regardless of the length of time in the state of Washington, who are permanently stationed at a military installation within the state, are entitled to purchase a resident license. Military personnel must have a license to fish for game fish anywhere in the state. Dependents must establish a ninety-day residency.

(5) Selective fishery regulations: In waters designated as being under selective fishery regulations, only artificial flies with a barbless single hook or lures with a barbless single hook are lawful. It is unlawful to use bait. Fish may be released until the daily limit is retained. It is unlawful to fish from any floating device equipped with a motor, unless specifically allowed under special rules for individual waters.

(6) Night closure: In waters designated as having a night closure, it is unlawful to fish from one hour after official sunset to one hour before official sunrise.

(7) Wild cutthroat release: In waters requiring a wild cutthroat release, it is unlawful to possess any cutthroat that

does not have a missing adipose fin and a healed scar in the location of the missing fin.

(8) Wild steelhead release: In waters requiring wild steelhead release, it is unlawful to possess any steelhead trout that does not have a missing adipose or ventral fin and a healed scar at the location of the missing fin.

(9) Free fishing weekends: The weekends corresponding with National Fishing Week have been declared as family fishing weekends in Washington. On these weekends a fishing license is not required for any person, regardless of residency or age, to fish for or possess game fish, except that it is unlawful to fish for or possess steelhead trout without the required license and catch record card. During free fishing weekends only the licensing requirement is affected, and all other rules remain in effect.

(10) Trout taken with bait: When fishing with bait, all trout equal to or greater than the minimum size are counted as part of the daily limit, whether kept or released, except steelhead trout may be caught and released while using bait until the daily limit is retained.

(11) Fish taken with artificial flies and lures: Where use of bait is prohibited, or where artificial flies or lures are used voluntarily, fish may be released until the daily limit is retained. If any fish has swallowed the hook or is hooked in the gill, eye or tongue, it should be kept if legal to so.

(12) OPEN SEASONS:

LAKES, PONDS, AND RESERVOIRS: YEAR AROUND, unless specified otherwise under exceptions to state-wide rules.

RIVERS, STREAMS AND BEAVER PONDS: JUNE 1 THROUGH OCTOBER 31, unless specified otherwise under exceptions to state-wide rules.

Note: The date set for "traditional" April openers for Lakes, Ponds, and Reservoirs for this year and future years is the last Saturday in April.

Waters managed under April through October seasons are listed under the exceptions to state-wide rules.

(13) Daily limits and minimum sizes:

GAME FISH SPECIES	DAILY LIMIT	MINIMUM SIZE LIMIT
BASS	Five - not more than three over fifteen inches Bass may be caught, retained, and released alive from a livewell until a daily limit is in possession.	None
GRASS CARP....	It is unlawful to fish for or retain grass carp.	
TROUT (except Eastern Brook trout)	A total of five trout, of which no more than two may be from Rivers, Streams, and Beaver Ponds . No more than two of the trout daily catch limit of 5 may be Steelhead.	None in Lakes, Ponds, and Reservoirs. Eight inches in Rivers, Streams, and Beaver Ponds.

PERMANENT

EASTERN BROOK TROUT (Salvelinus fontinalis)	Five - to be considered part of the trout daily catch limit.	None
--	--	------

(a) The following game fish species are managed as trout:

- Eastern brook trout
- Brown trout
- Cutthroat trout
- Dolly Varden/Bull trout
- Golden trout
- Kokanee/Silver trout
- Lake trout
- Landlocked Atlantic salmon
- Rainbow trout/Steelhead
- Landlocked chinook and coho

Dakota Creek

(b) Wild steelhead release June 1 through November 30.

(c) All waters, state-wide, are CLOSED YEAR AROUND to fishing for or retaining Dolly Varden/Bull Trout.

Deschutes River

Where exceptions to the above closure for Dolly Varden/Bull Trout occur under individual listings in the exceptions to state-wide rules, Dolly Varden/Bull Trout count as part of the combined trout daily limit of five.

Drano Lake
Duwamish River

WALLEYE	Five, not more than one over twenty-four inches	Eighteen inches
---------	---	-----------------

Walleye may be caught, retained, and released alive from a livewell until a daily limit is in possession.

Elk River
Entiat River
Hoquiam River
Humptulips River
Johns River
Kalama River

WHITEFISH	Fifteen	None
-----------	---------	------

ALL OTHER GAME FISH	No Limit	None
---------------------	----------	------

Kennedy Creek

BULLFROGS	Ten	None
-----------	-----	------

Kettle River
Lake Washington
Ship Canal

(14) Seasonal wild steelhead limits.

(a) It is unlawful for any person to retain more than two wild steelhead from the following watersheds:

- (i) Clearwater River - mouth to Snahapish River.
- (ii) Hoh River - mainstem, south fork and tributaries thereto.

Lewis River

(b) It is unlawful for any person to retain more than five wild steelhead from all of the following rivers and tributaries thereto:

- (i) Bogachiel River.
- (ii) Calawah River.
- (iii) Dickey River.
- (iv) Sol Duc River.
- (v) Quillayute River.

Little White
Salmon River

(15) Possession limit. Except as otherwise provided, the possession limit is two daily limits in fresh, frozen or processed form.

(16) River mouths. The following river mouth definitions are exceptions to the general river mouth definition:

- | | |
|-----------------|---------------------------------|
| Abernathy Creek | Highway 4 Bridge. |
| Bear River | Highway 101 Bridge. |
| Bone River | Highway 101 Bridge. |
| Chehalis River | Highway 101 Bridge in Aberdeen. |

Cowlitz River	A line projected across the river between two fishing
---------------	---

Methow River
Naselle River
North Nemah River
Niawiakum River
North River
Palix River
Puyallup River
Samish River

Sammamish River
Skagit River

boundary markers set on each bank of the river approximately one-half mile downstream from the lowermost railroad bridge crossing the Cowlitz River.

A line from the outermost headland of the south bank to a house at 1285 Runge Avenue, Blaine, Washington, approximately one-quarter mile downstream from the Blaine Road Bridge.

A line projected across the river 400 feet below the lower Tumwater Falls fish ladder.

Highway 14 Bridge.
First Avenue South Bridge.

Highway 105 Bridge.
Highway 97 Bridge.
Highway 101 Bridge.
Mouth of Jessie Slough.

Highway 105 Bridge.
Boundary markers located at the mouth.

An arc 500 yards east of the midpoint of the northbound Highway 101 Bridge.
Napoleon Bridge.

A line 400 feet west of the fish ladder at the Chittenden Locks.
Boundary markers at the mouth.

At boundary markers on the river bank downstream from the Little White Salmon National Fish Hatchery.

Highway 97 Bridge.
Highway 101 Bridge.
Highway 101 Bridge.

Highway 101 Bridge.
Highway 105 Bridge.
Highway 101 Bridge.
11th Street Bridge.
Samish Island Bridge (Bayview-Edison Road).

68th Ave. N.E. Bridge.
A line projected from the terminus of the jetty with McGlenn

PERMANENT

Island to the white monument on the easterly end of Ika Island, then to a white monument on the westerly end of Craft Island, then to a white monument near the corner of the levee on the westerly side of Dry Slough, and then to a white monument on the easterly side of Tom Moore Slough.

Skamokawa Creek
Skookum Creek

Snohomish River

South Nemah River

Spokane River
Tucannon Creek

Wallace River

Washougal River

Whatcom Creek

White Salmon River

Wind River

Willapa River

Yakima River

Highway 4 Bridge. A line 400 yards below the old railroad bridge.

Burlington Northern Railway Bridges crossing main river and sloughs.

Lynn Point 117 degrees true to the opposite shore.

State Route 25 Bridge. State Highway 261 Bridge.

The furthest downstream railroad bridge.

A straight line projected from the James River pumphouse southeasterly across the Washougal River to the east end of Highway 14 Bridge at the upper end of Lady Island.

A line projected approximately 14 degrees true from the flashing light to the south-westerly end of the Port of Bellingham North Terminal to the southernmost point of the dike surrounding the Georgia Pacific treatment pond.

Markers downstream of the Burlington Northern Railroad Bridge.

Boundary line/markers at mouth.

South Bend boat launch.

Highway 240 Bridge.

(17) Nonbuoyant lure and night closure restriction: In the following waters and during the periods shown, it is unlawful to use a nonbuoyant lure that has more than one single hook or has a hook measuring more than 3/4 inch point to shank and a night closure is in effect:

Area	Time period
Naselle River (including all forks) <u>Hwy 101 Bridge to Hwy 4 Bridge</u>	((September 1 - November 30)) <u>July 1 - January 31</u>
<u>Hwy 4 Bridge to Big Hill Bridge</u> Willapa River	<u>October 16 - January 31</u> ((September 1 - November 30))
<u>Mouth to Hwy 6 Bridge</u> <u>Hwy 6 Bridge to Fork Creek</u>	<u>October 1 - November 30</u> <u>October 16 - January 31</u>
Humtulsips River	September 1 - November 30
Satsop River (including all forks) ((North)) Nemah River - <u>North Fork</u>	September 1 - November 30 ((September)) <u>October 1 - November 30</u>
<u>Nemah River - Middle Fork</u>	<u>September 1 - November 30</u>
Dungeness and Gray Wolf Rivers	August 1 - October 15
Kennedy Creek ((South Fork)) Nooksack River - <u>South Fork</u>	October 1 - December 31
mouth to Skookum Creek ((South Fork Nooksack River)) Upstream from Skookum Creek	August 1 - October 31
Big Quilcene River	June 1 - September 30
Samish River	August 1 - December 31
Stillaquamish River (including all forks)	August 1 - November 30
Whatcom Creek	August 1 - December 31
Cowlitz River From Mill Creek to Barrier Dam	((April)) <u>August 1 - October 31</u>
Kalama River From ((200 feet above Modrow Trap to)) mouth to <u>temporary rack</u>	September 1 - October 31
((North)) Lewis River - <u>North Fork</u> From ((overhead powerlines below Ariel Dam to)) lower Cedar Creek Boat Ramp <u>to Colvin Creek</u>	((April)) <u>August 1 - ((October)) December 31</u>
Washougal River Downstream of Salmon Falls Bridge	September 1 - October 31
Icicle River From Leavenworth Federal Fish Hatchery to mouth	May 8 - June 30 Permanent

PERMANENT

Wenatchee River	
From mouth of Icicle River to Highway 2 Bridge	May 8 - June 15
Skagit River (and tributaries)	
Upstream of Gilligan Creek	July 1 - November 30
Tokol Creek	
From mouth to posted cable markers	December 1 - March 31
Capitol Lake	August 1 - November 30
Deschutes River	August 1 - November 30
Elochoman River	September 1 - (November 30) <u>October 31</u>
Grays River	September 1 - (November 30) <u>October 31</u>
Green/Duwamish River	
mouth to Highway 164 Bridge	August 1 - November 30
McAllister Creek	August 1 - November 30
Nisqually River	August 1 - November 30
Puyallup River	
mouth to Carbon River	August 1 - November 30
Skykomish River	August 1 - November 30
(including all forks)	
Snohomish River	August 1 - November 30
White/Stuck River	October 1 - November 30
<u>Toutle River - North Fork</u>	<u>September 1 - October 31</u>
<u>Green River (Cowlitz Co.)</u>	
<u>mouth to 1,500 feet below hatchery rack</u>	<u>September 1 - October 31</u>

(18) Freshwater fishing hours: It is unlawful to fish during a night closure. A night closure is in effect for all waters during the period of a nonbuoyant lure restriction.

Reviser's note: The spelling error in the above section occurred in the copy filed by the agency and appears in the Register pursuant to the requirements of RCW 34.08.040.

AMENDATORY SECTION (Amending Order 97-50, filed 3/19/97, effective 5/1/97)

WAC 232-28-619 Washington game fish—Exceptions to state-wide rules. (1) County freshwater exceptions to state-wide rules:

(a) Adams and Grant counties: All seasons in specific freshwater exceptions to state-wide rules apply to inlet and outlet streams of named lakes in Grant and Adams counties.

(b) Adams, Douglas, Franklin, Grant, and Okanogan counties, except Zosel Dam (Okanogan River): Lawful to fish to base of all dams.

(c) Benton County: Rivers, streams and beaver ponds open year around.

(d) Ferry and Lincoln counties: Except those tributaries listed under specific water exceptions to state-wide rules, all tributaries to Lake Roosevelt between Grand Coulee Dam and the State Highway 25 Bridge at Northport: Trout: Daily limit 5, no minimum size.

(e) Kitsap County and Mason County on Tahuya Peninsula west of Belfair-Bremerton Highway (S.R. 3): Beaver ponds: Last Saturday in April through October 31 season. Trout: No minimum length.

(2) Specific freshwater exceptions to state-wide rules:

Aberdeen Lake (Grays Harbor County): Last Saturday in April through October 31 season.

Abernathy Creek (Cowlitz County):

From mouth to a point five hundred feet downstream from salmon hatchery: June 1 through March 15 season. Trout: Minimum length twelve inches. Release wild steelhead and wild cutthroat. Release all steelhead June 1 through October 31.

From Abernathy Falls to posted markers five hundred feet downstream from salmon hatchery: Closed waters.

Alder Creek (Cowlitz County): Closed waters.

Aldrich Lake (Mason County): Last Saturday in April through October 31 season.

Aldwell Lake (Clallam County): Last Saturday in April through October 31 season. Selective fishery regulations except fishing from a floating device equipped with a motor permitted. Trout: Daily limit two, minimum length twelve inches.

Aeneas Lake (Okanogan County): Last Saturday in April through October 31 season. Fly fishing only. Fishing from a floating device equipped with a motor prohibited.

Alexander Lake (Kitsap County): Closed waters.

Alkali Flat Creek (Whitman County): Year around season.

Amber Lake (Spokane County): Last Saturday in April through September 30 season. Selective fishery regulations, except electric motors allowed. Trout: Daily limit two, minimum length fourteen inches. Additional season October 1 through November 30. Selective fishery regulations. All species: Release all fish.

American Lake (Pierce County): Chumming permitted.

American River (Yakima County), from mouth to Rainier Fork: Selective fishery regulations.

Alpowa Creek (Garfield County): Last Saturday in April through June 30 season.

Alta Lake (Okanogan County): Last Saturday in April through September 30 season.

Anderson Lake (Jefferson County): Last Saturday in April through October 31 season. Fishing from a floating device equipped with an internal combustion motor prohibited. From September 1 through October 31, selective fishery regulations and all species: Release all fish.

Armstrong Lake (Snohomish County): Last Saturday in April through October 31 season.

Asotin Creek, mainstem and forks (Asotin County): Closed to fishing for steelhead.

From SR129 Bridge upstream to the forks: Lawful to fish up to base of Headgate Dam.

North Fork from mouth upstream to USFS boundary: Selective fishery regulations.

North Fork from USFS boundary upstream and all other tributaries: Closed waters.

B.C. Mill Pond (Stevens County): Last Saturday in April through October 31 season.

Bachelor Creek (Yakima County): Year around season. Trout: Daily limit five, no minimum length.

Badger Lake (Spokane County): Last Saturday in April through September 30 season.

PERMANENT

Baker Lake (Whatcom County): Last Saturday in April through October 31 season, except closed waters in an area two hundred feet in radius around the pump discharge at the south end of the lake. Chumming permitted. Trout: Minimum length six inches and maximum length eighteen inches.

Ballinger Lake (Snohomish County): Bass: Only bass less than twelve inches or over fifteen inches in length may be retained.

Barnaby Slough (Skagit County): Closed waters.

Battle Ground Lake (Clark County): Last Saturday in April through October 31 season. Fishing from a floating device equipped with an internal combustion motor prohibited.

Bay Lake (Pierce County): Last Saturday in April through October 31 season.

Bayley Lake (Stevens County): Last Saturday in April through July 4 season. Fly fishing only. Fishing from a floating device equipped with a motor prohibited. Trout: Daily limit one, minimum length fourteen inches. Additional season, July 5 through October 31. Fly fishing only. Fishing from a floating device equipped with a motor prohibited. All species: Release all fish. Inlet stream: Closed waters.

Bear Creek (Yakima County), tributary to South Fork Tieton River: June 1 through August 15 season.

Bear Lake (Spokane County): Juveniles and holders of free licenses only.

Bear River (Pacific County): June 1 through last day in February season. Trout: Minimum length fourteen inches.

Bearpaw Lake (Whatcom County): Last Saturday in April through October 31 season. Selective fishery regulations. Trout: Daily and possession limit one, minimum length eighteen inches.

Beaver Creek (Thurston County): Selective fishery regulations. Trout: Minimum length twelve inches.

Beaver Creek (tributary to Elochoman River) (Wahkiakum County): Closed waters.

Beaver Lake (Columbia County): March 1 through October 31 season. Fishing from any floating device prohibited.

Beaver Lake (King County): Bass: Only bass less than twelve inches or over fifteen inches in length may be retained.

Beehive (Lake) Reservoir (Chelan County): Last Saturday in April through October 31 season. July 5 through October 31, selective fishery regulations, and all species: Release all fish.

Bennington Lake (Mill Creek Reservoir) (Walla Walla County): Fishing from a floating device equipped with an internal combustion motor prohibited.

Benson Lake (Mason County): Last Saturday in April through October 31 season.

Berry Creek (tributary to Nisqually River) (Lewis County): Selective fishery regulations.

Big Bear Creek (tributary of Sammamish River) (Snohomish/King counties): Closed waters.

Big Beaver Creek (Whatcom County):

From closed water markers on Ross Lake upstream one-quarter mile: Closed waters.

From one-quarter mile markers upstream, including tributary streams, and beaver ponds that are tributary to Big Beaver Creek: July 1 through October 31 season. Selective fishery regulations. All species: Release all fish.

Big Beef Creek (Kitsap County): June 1 through October 31 season. Trout: Release all cutthroat trout.

Big Four Lake (Columbia County): March 1 through October 31 season. Fly fishing only. Fishing from any floating device prohibited. Trout: Daily limit two.

Big Lake (Skagit County): Bass: Only bass less than twelve inches or over fifteen inches in length may be retained.

Big Meadow Lake (Pend Oreille County): Last Saturday in April through October 31 season.

Big River (Clallam County): June 1 through last day in February season. Trout: Minimum length fourteen inches.

Big Twin Lake (Okanogan County): Last Saturday in April through October 31 season. Selective fishery regulations except electric motors permitted. Trout: Daily limit one.

Bird Creek (Klickitat County): Trout: Daily limit five.

Black Lake (Lower Wheeler Reservoir) (Chelan County): Last Saturday in April through October 31 season. July 5 through October 31, selective fishery regulations, and all species: Release all fish.

Black Lake (Pacific County): Last Saturday in April through October 31 season.

Black Lake (Stevens County): Last Saturday in April through October 31 season.

Black River (Thurston County), from mouth to Black Lake and including all tributaries west of Interstate Highway 5, including Waddell Creek, Mima Creek, Salmon Creek, Dempsey Creek: Selective fishery regulations. Trout: Minimum length twelve inches.

Blockhouse Creek (Klickitat County): Trout: Daily limit five.

Bloodgood Creek (Klickitat County): Trout: Daily limit five.

Blooms Ditch (Thurston County): Selective fishery regulations. Trout: Minimum length twelve inches.

Blue Creek (Lewis County), from mouth to Spencer Road: Closed waters.

Blue Lake (Columbia County): March 1 through October 31 season. Fishing from any floating device prohibited.

Blue Lake (Cowlitz County): Last Saturday in April through October 31 season. Selective fishery regulations. All species: Release all fish.

Blue Lake (Grant County): Last Saturday in April through September 30 season.

Blue Lake (near Sinlahekin) (Okanogan County): Last Saturday in April through October 31 season. Selective fishery regulations, except electric motors allowed. Trout: Daily limit one.

Blue Lake (near Wannacut Lake) (Okanogan County): Last Saturday in April through October 31 season. Selective fishery regulations, except electric motors allowed. Trout: Daily limit one.

Bobcat Creek and Ponds (Adams County): March 1 through September 30 season.

Bogachiel River (Clallam County), from mouth to National Park boundary: June 1 through April 30 season. December 1 through April 30, selective fishery regulations from Highway 101 to National Park boundary. Trout: Minimum length fourteen inches. December 1 through April 30, mouth to Highway 101, not more than one wild steelhead per day, and Highway 101 to National Park boundary, release wild steelhead.

Bonaparte Lake (Okanogan County): Trout: No more than one over twenty inches in length may be retained.

Bosworth Lake (Snohomish County): Last Saturday in April through October 31 season.

Bowman Creek (Klickitat County): Trout: Daily limit five.

Box Canyon Creek (Kittitas County), from mouth to bridge on USFS Road No. 4930: Closed waters.

Boxley Creek (North Bend) (King County), from its mouth to the falls located at approximately river mile 0.9: Closed waters.

Boyle Lake (King County): Last Saturday in April through October 31 season. Selective fishery regulations. Trout: Daily limit two, minimum length fourteen inches. The inlet and outlet streams to Boyle Lake are closed waters.

Bridges Lake (King County): Last Saturday in April through October 31 season. Selective fishery regulations. Trout: Daily limit two, minimum length fourteen inches. The inlet and outlet streams to Bridges Lake are closed waters.

Browns Lake and inlet streams (Pend Oreille County): Last Saturday in April through October 31 season. Fly fishing only. Fishing from a floating device equipped with an internal combustion motor prohibited.

Buck Lake (Kitsap County): Last Saturday in April through October 31 season.

Buckskin Creek and tributaries (Yakima County), from mouth to the west boundary of Suntides Golf Course: Closed waters.

Bumping Lake (Reservoir) (Yakima County): Chumming permitted. Trout: Kokanee not counted in daily trout limit. Kokanee daily limit sixteen.

Bumping River (Yakima County):

From mouth to American River: Selective fishery regulations. Whitefish: Additional December 1 through March 31 season. Release all fish other than whitefish.

From mouth of American River to Bumping Reservoir: Lawful to fish to base of Bumping Dam. Whitefish: Additional December 1 through March 31 season. Release all fish other than whitefish.

Burbank Slough (Walla Walla County): Fishing from any floating device prohibited.

Burke Lake (Grant County): March 1 through July 31 season.

Burley Creek (Kitsap County): June 1 through last day in February season. Trout: Minimum length fourteen inches. Release wild steelhead.

Butter Creek (Lewis County): Selective fishery regulations. Trout: Minimum length ten inches.

Cady Lake (Mason County): Last Saturday in April through October 31 season. Fly fishing only. Fishing from a floating device equipped with an internal combustion motor prohibited. Trout: Daily limit two.

Cain Lake (Whatcom County): Last Saturday in April through October 31 season.

Calawah River (Clallam County), from mouth to forks: June 1 through April 30 season. December 1 through April 30, selective fishery regulations from Highway 101 to forks. Trout: Minimum length fourteen inches. December 1 through April 30, mouth to Highway 101, not more than one wild steelhead per day, and Highway 101 to mouth of south fork, wild steelhead release.

Calawah River, South Fork (Clallam County) from mouth to National Park boundary: June 1 through last day in February season. December 1 through last day in February, selective fishery regulations. Trout: Minimum length fourteen inches. December 1 through last day in February, release wild steelhead.

Caldwell Lake (Pend Oreille County): Last Saturday in April through October 31 season. Fishing from a floating device equipped with an internal combustion motor prohibited. Trout: Daily limit two, minimum length twelve inches.

Caliche Lakes, Lower and Upper (Grant County): March 1 through July 31 season.

Calispell Creek (Calispell River) (Pend Oreille County):

From mouth to Calispell Lake: Year around season.

From Calispell Lake upstream to source: Selective fishery regulations.

Calligan Lake (King County): June 1 through October 31 season. All tributary streams, and the upper third of the outlet are closed waters.

Campbell Creek (Mason County): Closed waters.

Campbell Lake (Okanogan County): September 1 through March 31 season.

Campbell Lake (Skagit County): Bass: Only bass less than twelve inches or over fifteen inches in length may be retained.

Canyon Creek (Klickitat County): Trout: Daily limit five.

Canyon Creek (Mason County): Closed waters.

Canyon Creek (S.F. Stillaguamish River) (Snohomish County), mouth to forks: June 1 through last day in February season. Trout: Minimum length fourteen inches.

Capitol Lake (Thurston County), from its outlet to a point four hundred feet below the lowest Tumwater Falls (Deschutes River) fish ladder: Closed waters: Percival Cove, west of a set of markers on the western shoreline of the south basin of Capitol Lake. June 1 through July 31 season. Trout: Daily limit five, minimum length eight inches. Additional August 1 through March 31 season. Trout: Daily limit two, minimum length fourteen inches.

Carbon River (Pierce County), from its mouth to the Highway 162 Bridge: June 1 through January 31 season. Trout: Minimum length fourteen inches. Additional February 1 through March 31 season. Trout: Minimum length fourteen inches. Release wild steelhead.

Carlisle Lake (Lewis County): Last Saturday in April through last day in February season. Fishing from a floating device equipped with an internal combustion motor prohibited. Bass: Minimum length fourteen inches.

Carl's Lake (Pend Oreille County): Last Saturday in April through October 31 season.

Carney Lake (Pierce County): Last Saturday in April through June 30 and September 1 through October 31 seasons. Fishing from a floating device equipped with an internal combustion motor prohibited.

Carson Lake (Mason County): Last Saturday in April through October 31 season.

Cascade Lake (Grant County): March 1 through July 31 season.

Cascade Lake (San Juan County): Last Saturday in April through October 31 season.

Cascade River (Skagit County):

From the Rockport-Cascade Road Bridge upstream: June 1 through last day in February season. Trout: Trout except Dolly Varden/Bull Trout, minimum length fourteen inches. Legal to retain Dolly Varden/Bull Trout as part of the trout daily limit, minimum length twenty inches.

From the mouth to the Rockport-Cascade Road Bridge: October 1 through last day in February season. Trout: Trout except Dolly Varden/Bull Trout, minimum length fourteen inches. Legal to retain Dolly Varden/Bull Trout as part of the trout daily limit, minimum length twenty inches.

Cases Pond (Pacific County): Last Saturday in April through October 31 season. Juveniles only.

Cashmere Pond (Chelan County): Juveniles only.

Cassidy Lake (Snohomish County): Bass: Only bass less than twelve inches or over fifteen inches in length may be retained.

Castle Lake (Cowlitz County): Selective fishery regulations. Trout: Daily limit one, minimum length sixteen inches.

Cattail Lake (Grant County): March 1 through March 31 and September 1 through September 30 seasons.

Cavanaugh Lake (Skagit County): Chumming permitted.

Cedar Creek (tributary of N.F. Lewis) (Clark County), from mouth to junction of Chelatchie Creek: June 1 through March 15 season. Trout: Minimum length twelve inches. Release wild steelhead.

Cedar Creek (Jefferson County): June 1 through last day in February season. Trout: Minimum length fourteen inches.

Cedar Lake (Stevens County): Last Saturday in April through October 31 season.

Cedar River (King County): Closed waters.

Chambers Lake (within Ft. Lewis Military Reservation) (Pierce County): Selective fishery regulations, except electric motors allowed. Trout: Release all trout.

Chaplain Lake (Snohomish County): Closed waters.

Chapman Lake (Spokane County): Last Saturday in April through October 31 season. Chumming permitted. Trout: Kokanee not counted in daily trout limit. Kokanee daily limit ten.

Chehalis River (Grays Harbor County), from Union Pacific Railroad Bridge in Aberdeen to high bridge on Weyerhaeuser 1000 line (approximately 400 yards downstream from Roger Creek): June 1 through April 15 season. Trout: Minimum length fourteen inches. Release wild cutthroat and wild steelhead.

Chehalis River, South Fork (Lewis County), from mouth to Highway Bridge at Boistfort: June 1 through April 15 season. Trout: Minimum length fourteen inches. Release wild cutthroat and wild steelhead.

Chehalis River Potholes (adjacent to the Chehalis River south of Highway 12 in Grays Harbor County, this does not include sloughs or beaver ponds): Last Saturday in April through October 31 season.

Chelan Lake (Chelan County): Year around season except closed April 1 through June 30 north of a line between Purple Point at Stehekin and Painted Rocks and April 1 through June 30 within 400 feet of the mouths of all tributaries north of Fields Point. Trout except kokanee: Daily limit two except south of Fields Point May 15 through September 30 daily limit 5, not more than two of which may be over 15 inches in length. Trout except kokanee minimum length 15 inches except south of Fields Point minimum length 8 inches May 15 through September 30. Kokanee not counted in daily trout limit. Kokanee daily limit five, no minimum length. Salmon: Minimum length 15 inches. Burbot: One set line per angler, no maximum number of hooks; set lines must be identified with fisher's name and address.

Chelan Lake Tributaries (Chelan County), from mouths upstream one mile except Stehekin River: July 1 through October 31 season. Selective fishery regulations.

Chelan River (Chelan County): Year around season. Trout, minimum length twelve inches.

Chewelah Creek, forks and tributaries (Stevens County): Selective fishery regulations.

Chewuch River (Chewack River) (Okanogan County), from mouth to Lake Creek: Selective fishery regulations. Trout, minimum length twelve inches. Whitefish: Additional December 1 through March 31 season. Release all fish except whitefish.

Chimacum Creek (Jefferson County):

From mouth to Ness's Corner Road: June 1 through August 31 season. Trout: Minimum length fourteen inches.

From Ness's Corner Road to headwaters: Trout: Minimum length fourteen inches.

Chiwaukum Creek (Chelan County), from mouth to South Fork: Selective fishery regulations.

Chiwawa River (Chelan County), from mouth to Rock Creek: Selective fishery regulations.

Chopaka Lake (Okanogan County): Last Saturday in April through October 31 season. Fly fishing only. Fishing from

a floating device equipped with a motor prohibited. Trout: Daily limit one.

Cispus River (Lewis County), from mouth to North Fork: Trout: Additional season November 1 through May 31, steelhead only. Release wild steelhead and all fish other than steelhead.

Cispus River, North Fork (Lewis County): Trout: No more than one over twelve inches in length.

Clear Lake (Chelan County): Last Saturday in April through October 31 season. From July 5 through October 31, selective fishery regulations and all species: Release all fish.

Clallam River (Clallam County): June 1 through last day in February season. Trout: Minimum length fourteen inches. Release wild steelhead.

Clara Lake (Mason County): Last Saturday in April through October 31 season.

Clear Lake (Pierce County): Chumming permitted.

Clear Lake (Spokane County): Last Saturday in April through October 31 season.

Clear Lake (Thurston County): Last Saturday in April through October 31 season.

Clearwater River (Jefferson County):

From mouth to Snahapish River: June 1 through April 15 season. Trout: Minimum length fourteen inches. December 1 through April 15, not more than one wild steelhead per day.

From Snahapish River upstream: Trout, minimum length fourteen inches.

Cle Elum Lake (Reservoir) (Kittitas County): Trout except kokanee: Daily limit two, minimum length twelve inches. Kokanee not counted in daily trout limit. Kokanee daily limit sixteen, no minimum size. Burbot: One set line per angler, no maximum number of hooks; set lines must be identified with fisher's name and address.

Cle Elum River (Kittitas County), from mouth to Cle Elum Dam: Lawful to fish to base of Cle Elum Dam. Whitefish: Additional December 1 through March 31 season. Release all fish except whitefish.

Cliff Lake (Grant County): March 1 through July 31 season.

Cloquallum Creek (Grays Harbor County):

From mouth to second bridge on Cloquallum Road: June 1 through last day in February season. Trout: Minimum length twelve inches. Release wild cutthroat.

From mouth to Highway 8 Bridge: Additional March 1 through March 31 season. Trout: Minimum length twelve inches. Release wild cutthroat.

Clough Creek (North Bend) (King County): Closed waters.

Clover Creek (Pierce County), within the boundaries of McChord Air Force Base: Selective fishery regulations. Trout: Daily limit one, minimum length twelve inches.

Coal Creek (Cowlitz County), from mouth to four hundred feet below falls: June 1 through last day in February season. Trout: Minimum length fourteen inches. Release wild steelhead.

Coal Creek (tributary of Lake Washington) (King County): Closed waters.

Coal Creek (near Snoqualmie) (King County), from mouth to Highway I-90: Last Saturday in April through October 31 season. Juveniles only. Trout: No minimum length.

Coldwater Lake (Cowlitz County): Selective fishery regulations except use of electric motors allowed. Trout: Daily limit one, minimum length sixteen inches.

Coldwater Lake inlet and outlet streams (Cowlitz County): Closed waters.

Colville River (Stevens County):

From mouth to bridge at Town of Valley: Year around season. Trout: Daily limit five fish, not more than two of which may be brown trout October 1 through November 30. Walleye: No minimum size. Daily limit eight fish not more than one of which may be longer than 20 inches. Release walleye 16 to 20 inches in length.

From bridge at Valley upstream and tributaries: Selective fishery regulations.

Columbia Park Pond (Benton County): Juveniles only.

Columbia River, including impoundments and all connecting sloughs, except Wells Ponds: General species provisions (unless otherwise provided for in this section): Bass: Daily limit five fish, not more than three of which may be over 15 inches. Trout: Daily limit two fish, minimum length 12 inches, except release all Dolly Varden/Bull Trout. Walleye: Daily limit five fish of which not more than one may be over 24 inches, minimum length 18 inches. Whitefish: Daily limit 15 fish. All other gamefish: No daily limit, except release all grass carp. Bullfrog: Daily limit 10 frogs.

In the Columbia River between Washington and Oregon, the license of either state is valid. Anglers must comply with the fishing regulations of the state in which they are fishing. This provision does not allow an angler licensed in Oregon to fish on the Washington shore, or in the sloughs or tributaries in Washington.

Anglers fishing the Columbia River are restricted to one daily limit, as defined by the laws of the state in which they are fishing, even if they are licensed by both states.

From a true north-south line through Buoy 10 to the Megler-Astoria Bridge: Trout: Wild steelhead release. Release all steelhead April 1 through July 31. Fishing from the north jetty is allowed during salmon season openings.

From the Megler-Astoria Bridge to the I-5 Bridge: Closed waters: September 1 through September 30 at mouth of Abernathy Creek from the Washington shore to a line between Abernathy Point light and a boundary marker east of the mouth of Abernathy Creek. Trout: Release wild steelhead and wild cutthroat. Release all steelhead April 1 through May 15.

From the I-5 Bridge to the Highway 395 Bridge at Pasco, including Drano Lake: Closed waters: (1) From the upstream line of Bonneville Dam to boundary markers located six hundred feet below the fish ladder. (2) Waters from the upstream side of the Interstate Bridge at The Dalles to upper line of The Dalles Dam except that bank fishing is permitted up to four hundred feet below the fishway entrance on the Washington shore. (3) From John Day Dam downstream about three thousand feet except that bank fishing is permitted up to four hundred feet below the fishway entrance on the Washington shore. (4) From McNary Dam downstream to a line across the river from the red and white marker on the Oregon shore on a line that intersects the

downstream end of the wing wall of the boat lock near the Washington shore. Trout: Release wild steelhead. Release all trout March 16 through June 15.

From the Highway 395 Bridge at Pasco to the old Hanford townsite (wooden towers) powerline crossing, in Sec. 30, T13N, R28E: Closed waters: Ringold Springs Creek (Hatchery Creek). Trout: Release wild steelhead.

From the old Hanford townsite (wooden towers) powerline crossing in Sec. 30, T13N, R28E, to Vernita Bridge, (Highway 24)((-46)): All species: June 16 through October 22 season. Trout: Release wild steelhead.

From Vernita Bridge (Highway 24) to Priest Rapids Dam: Closed waters: (1) Priest Rapids Dam - waters between the upstream line of Priest Rapids Dam downstream to the boundary markers six hundred fifty feet below the fish ladders. (2) Jackson (Moran Creek or Priest Rapids Hatchery outlet) Creek - all waters of the Priest Rapids Hatchery system to the outlet on the Columbia River, extending to midstream Columbia between boundary markers located one hundred feet upstream and four hundred feet downstream of the mouth. All species: June 1 through March 31 season. Trout: Release wild steelhead.

From Priest Rapids Dam to Chief Joseph Dam, including up to base of Washburn Pond outlet structure: Closed waters: (1) Wanapum Dam - waters between the upstream line of Wanapum Dam to the boundary markers seven hundred fifty feet downstream of the east fish ladder and five hundred feet downstream of the west fish ladder. (2) Rock Island Dam to boundary markers four hundred feet downstream of the fish ladders. (3) Rocky Reach Dam - waters between the upstream line of Rocky Reach Dam to boundary markers four hundred feet downstream of the fish ladders. (4) Wells Dam - waters between the upstream line of Wells Dam to boundary markers four hundred feet downstream of the spawning channel discharge (Chelan County) and fish ladder (Douglas County). (5) Chief Joseph Dam - closed to fishing from the Okanogan County shore between the dam and the Highway 17 Bridge. Closed to boat fishing from the boundary marker to the Corps of Engineers safety zone marker. Trout: Release wild steelhead.

Above Chief Joseph Dam: See Lake Roosevelt and Rufus Woods Lake.

Conconully Lake (Okanogan County): Last Saturday in April through October 31 season.

Conconully Reservoir (Okanogan County): Last Saturday in April through October 31 season.

Conger Pond (Pend Oreille County): Last Saturday in April through October 31 season.

Connelly Creek and tributaries (Lewis County), from four hundred feet below the city of Morton Dam to its source: Closed waters.

Conner Lake (Okanogan County): Last Saturday in April through October 31 season.

Coot Lake (Grant County): March 1 through July 31 season.

Copolis River (Grays Harbor County): June 1 through last day in February season. Trout: Minimum length fourteen inches.

Coppei Creek (Walla Walla County): Last Saturday in April through June 30 season.

Cottage Lake (King County): Last Saturday in April through October 31 season.

Cottonwood Creek (Asotin County): Trout: Release all steelhead.

Cottonwood Creek (Lincoln County): Year around season.

Cougar Creek (tributary to Yale Reservoir) (Cowlitz County): June 1 through August 31 season.

Cougar Lake (near Winthrop) (Okanogan County): September 1 through March 31 season.

Coulter Creek (Kitsap/Mason counties): Trout: Minimum length fourteen inches.

County Line Ponds (Skagit County): Closed waters.

Cow Lake (Adams County): Channel catfish: Daily limit, five. Bass: Only bass less than twelve inches or over fifteen inches in length may be retained.

Coweeman River (Cowlitz County), from mouth to Mulholland Creek: June 1 through March 15 season. Trout: Minimum length twelve inches. Release wild steelhead and wild cutthroat.

Cowlitz Falls Reservoir (Lake Scanewa) (Lewis County): June 1 through last day in February season. The upstream boundary of the reservoir in the Cowlitz arm is the posted PUD sign on Peters Road. The upstream boundary of the reservoir in the Cispus arm is the posted markers at the Lewis County PUD kayak launch, approximately 1.5 miles upstream from the confluence of the Cowlitz and Cispus arms. Trout: Daily limit five, minimum length eight inches.

Cowlitz River (Lewis County):

From mouth to Mayfield Dam: Year around season. Lawful to fish up to four hundred feet or the posted deadline at barrier dam. From the barrier dam downstream to a line from the mouth of Mill Creek to a boundary marker on the opposite shore, it is unlawful to fish from any floating device. All species: Release all fish except steelhead April 1 through May 31. Trout: Daily limit five, minimum length twelve inches, no more than two over twenty inches. Release wild cutthroat and wild steelhead. Below Barrier Dam release all steelhead missing right ventral fin.

From Mayfield Dam to mouth of Muddy Fork: Year around season. Release wild steelhead.

Cowlitz River, Clear and Muddy Forks (Lewis County): Trout: Daily limit five, no more than one over twelve inches in length may be retained.

Coyote Creek and Ponds (Adams County): March 1 through September 30 season.

Crab Creek (Adams/Grant counties):

From Highway 26 to Morgan Lake Road in Section 36: March 1 through September 30 season.

From Morgan Lake Road in Section 36 to O'Sullivan Dam (including Marsh Unit I and II impoundments): Closed waters.

Crab Creek (Lincoln County) and tributaries: Year around season.

Crabapple Lake (Snohomish County): Last Saturday in April through October 31 season.

Cranberry Creek (Mason County), mouth to Lake Limerick: Closed waters.

Crawfish Lake (Okanogan County): Last Saturday in April through October 31 season. Fishing from a floating device equipped with an internal combustion engine prohibited.

Crescent Lake (Pend Oreille County): Last Saturday in April through October 31 season.

Crystal Lake (Grant County): March 1 through July 31 season.

Cup Lake (Grant County): March 1 through July 31 season.

Curl Lake (Columbia County): June 1 through October 31 season. Fishing from any floating device prohibited.

Curley Creek (Kitsap County): June 1 through last day in February season. Trout: Minimum length fourteen inches. Release wild steelhead.

Damon Lake (Grays Harbor County): June 1 through October 31 season.

Davis Lake (Ferry County): Last Saturday in April through October 31 season.

Davis Lake (Lewis County): Last Saturday in April to last day in February season.

Davis Lake (Okanogan County): September 1 through March 31 season

Dayton Pond (Columbia County): Juveniles only.

Deadman Creek (Garfield County): Year around season.

Deadman Lake (Adams County): March 1 through September 30 season.

De Coursey Pond (Pierce County): Last Saturday in April through October 31 season. Juveniles only.

Deep Creek (Clallam County): Closed waters.

Deep Creek (tributary to Bumping Lake) (Yakima County): Mouth to second bridge crossing on USFS Rd. 1808 (approximately 3.7 miles from junction of USFS Rds. 1800 and 1808): Closed waters.

Deep Lake (Grant County): Last Saturday in April through September 30 season.

Deep Lake (Stevens County): Last Saturday in April through October 31 season.

Deep Lake (Thurston County): Last Saturday in April through October 31 season.

Deep River (Wahkiakum County): Year around season. Trout: Minimum length 14 inches.

Deer Creek (Mason County): Closed waters.

Deer Creek and Little Deer Creek (tributaries to North Fork Stillaguamish) (Skagit County): Closed waters.

Deer Lake (Columbia County): March 1 through October 31 season. Fishing from any floating device prohibited.

Deer Lake (Island County): Last Saturday in April through October 31 season.

Deer (Deer Springs) Lake (Lincoln County): Last Saturday in April through September 30 season.

Deer Lake (Mason County): Last Saturday in April through October 31 season.

Deer Lake (Stevens County): Last Saturday in April through October 31 season. Trout: No more than two over twenty inches in length may be retained.

Dempsey Creek (Thurston County): Selective fishery regulations. Trout: Minimum length twelve inches.

Deschutes River (Thurston County), from old U.S. Highway 99 Bridge near Tumwater to Vail Road Bridge one mile southwest of Lawrence Lake, except waters from Old Highway 99 Bridge to four hundred feet below lowest Tumwater Falls fish ladder are closed waters: June 1 through March 31 season. Trout: Minimum length fourteen inches.

Desire Lake (King County): Bass: Only bass less than twelve inches or over fifteen inches in length may be retained.

Devereaux Lake (Mason County): Last Saturday in April through October 31 season.

Devil's Lake (Jefferson County): Last Saturday in April through October 31 season.

Dewatto River (Mason County): Trout, minimum length twelve inches. Wild cutthroat release.

From mouth to bridge on Bear Creek-Dewatto Road, additional November 1 through last day in February season. Trout: Minimum length twelve inches. Release wild steelhead and wild cutthroat.

Diamond Lake (Pend Oreille County): Last Saturday in April through October 31 season.

Dickey River (includes all forks) (Clallam County): June 1 through April 30 season. Trout: Minimum length fourteen inches. December 1 through April 30, not more than one wild steelhead per day.

Dollar Lake (Grant County): March 1 through July 31 season.

Dosewallips River (Jefferson County), from mouth to Olympic National Park boundary about three-quarters mile downstream of falls: June 1 through last day in February season. Trout: Minimum length twelve inches. Release wild steelhead and wild cutthroat.

Dot Lake (Grant County): March 1 through July 31 season.

Downs Lake (Lincoln/Spokane counties): Last Saturday in April through September 30 season.

Dry Creek (Walla Walla County): Last Saturday in April through June 30 season.

Dry Falls Lake (Grant County): Last Saturday in April through November 30 season. Selective fishery regulations. Trout: Daily limit one.

Duckabush River (Jefferson County), from mouth to the Olympic National Park Boundary: June 1 through last day in February season. Trout: Minimum length twelve inches. Release wild steelhead and wild cutthroat.

Dungeness River (Clallam County):

From mouth to junction of Gray Wolf and Dungeness River, October 16 through last day in February season.

Trout: Minimum length fourteen inches. Release wild steelhead.

From junction of Gray Wolf River upstream to Gold Creek - Closed waters.

From junction of ((Gray Wolf River)) Gold Creek upstream to headwaters: Trout: Minimum length fourteen inches.

Dusty Lake (Grant County): March 1 through July 31 season.

Eagle Lakes, Big and Little (King County): Closed waters.

East Twin River (Clallam County): June 1 through last day in February season. Trout: Minimum length fourteen inches. Release wild steelhead.

Ebey Lake (Little Lake) (Snohomish County): Fly fishing only. Fishing from a floating device equipped with a motor prohibited. Trout: Daily limit one, minimum length eighteen inches.

Eightmile Lake (Chelan County): Trout: Daily limit five, not more than two mackinaw may be retained.

Elbow Lake (Stevens County): Last Saturday in April through October 31 season.

Elk River (Grays Harbor County), from the Highway 105 Bridge upstream: June 1 through last day in February season. Trout: Minimum length twelve inches. Release wild cutthroat.

Ell Lake (Okanogan County): Last Saturday in April through October 31 season. Selective fishery regulations. Trout: Daily limit one.

Ellen Lake (Ferry County): Last Saturday in April through October 31 season.

Elochoman River (Wahkiakum County): Closed waters: Waters from 100 feet above the upper hatchery rack downstream to the Elochoman Hatchery Bridge located 400 feet below the upper hatchery rack; waters from a point 50 feet above to 100 feet below the outlet pipes from the most downstream Elochoman Hatchery rearing pond and extending 30 feet out from the south bank of the river; waters between the department of fish and wildlife temporary rack downstream to Foster (Risk) Road Bridge while rack is installed in the river; waters from the Beaver Creek Bridge to 200 feet below the weir at Beaver Creek Hatchery; mainstem waters from the confluence of the west fork to source.

From mouth to West Fork: June 1 through March 15 season. Trout: Daily limit five, minimum length twelve inches, no more than two over twenty inches. Release wild steelhead and wild cutthroat.

Elwha River (Clallam County): Closed waters: From south spillway on Aldwell Lake Dam downstream two hundred feet and from approximately fifty yards upstream to fifty yards downstream of Elwha Tribal Hatchery outfall as posted.

From mouth to two hundred feet below the south spillway on the Aldwell Lake Dam: June 1 through last day in February season. Fishing from any floating device prohibited. Trout: Minimum length fourteen inches. Release wild steelhead.

From Lake Aldwell upstream to four hundred feet below spillway at Lake Mills Dam, including all tributaries except Indian Creek: Selective fishery regulations. Trout: Minimum length twelve inches.

Empire Lake (Ferry County): Last Saturday in April through October 31 season.

Enchantment Park Ponds (Chelan County): Juveniles only.

Entiat River (Chelan County), from mouth to Fox Creek: June 1 through March 31 season. Selective fishery regulations June 1 through November 30. Trout: Minimum length twelve inches. Release wild steelhead.

Erie Lake (Skagit County): Last Saturday in April through October 31 season.

Failor Lake (Grays Harbor County): Last Saturday in April through October 31 season.

Fan Lake (Pend Oreille County): Last Saturday in April through September 30 season. Fishing from a floating device equipped with an internal combustion motor prohibited.

Fazon Lake (Whatcom County): Fishing from any floating device prohibited from first Friday in October through January 15. Channel catfish: Daily and possession limit two. Bass: Only bass less than twelve inches or over fifteen inches in length may be retained.

Findley Lake (King County): Closed waters.

Finnel Lake (Adams County): Channel catfish: Daily limit five. Bass: Only bass less than twelve inches or over fifteen inches in length may be retained.

Fio Rito Lakes (Kittitas County): Fishing from a floating device equipped with an internal combustion engine prohibited.

Fish Lake (Chelan County): Trout: No more than two over fifteen inches in length may be retained.

Fish Lake (Ferry County): Last Saturday in April through October 31 season.

Fish Lake (Okanogan County): Last Saturday in April through October 31 season.

Fish Lake (Spokane County): Last Saturday in April through September 30 season. Fishing from a floating device equipped with an internal combustion motor prohibited.

Fisher Slough (Snohomish County):

From mouth to Highway 530 Bridge: Year around season. Trout: Minimum length fourteen inches.

Upstream from Highway 530 Bridge: June 1 through October 31 season. Trout: Minimum length fourteen inches.

Fishhook Pond (Walla Walla County): Last Saturday in April through October 31 season. Fishing from any floating device prohibited.

Fishtrap Creek (Whatcom County): From Koh Road to Bender Road: June 1 through October 31 season. Juveniles only.

Fishtrap Lake (Lincoln/Spokane counties): Last Saturday in April through September 30 season.

Flowing Lake (Snohomish County): Bass: Only bass less than twelve inches or over fifteen inches in length may be retained.

Forde Lake (Okanogan County): Last Saturday in April through October 31 season.

Fort Borst Park Lake (Lewis County): Last Saturday in April through last day in February season. Juveniles only.

Fortson Mill Pond # 2 (Snohomish County): Last Saturday in April through October 31 season. Juveniles only.

Fourth of July Lake (Adams/Lincoln counties): December 1 through March 31 season. Fishing from a floating device equipped with an internal combustion motor prohibited. Trout: No more than two over fourteen inches in length may be retained.

Franz Lake (Skamania County): Closed waters.

Frater Lake (Pend Oreille County): Last Saturday in April through October 31 season.

Gadwall Lake (Grant County): March 1 through March 31 and September 1 through September 30 seasons.

Garfield Juvenile Pond (Whitman County): Juveniles only.

George Lake (Grant County): March 1 through July 31 season.

Geneva Lake (King County): Last Saturday in April through October 31 season.

Germany Creek (Cowlitz County), from mouth to end of Germany Creek Road (approximately five miles): June 1 through March 15 season. Trout: Minimum length twelve inches. Release wild steelhead and wild cutthroat. Release all steelhead June 1 through October 31.

Gillette Lake (Stevens County): Last Saturday in April through October 31 season.

Gissberg Ponds (Snohomish County): Channel catfish: Daily limit 2, no minimum size.

Gobar Creek (tributary to Kalama River) (Cowlitz County): June 1 through March 15 season. Trout: Minimum length twelve inches. Release wild steelhead and wild cutthroat.

Gold Creek, Gold Creek Pond and Outlet Channel (tributary to Keechelus Lake) (Kittitas County): Closed waters.

Gold Creek (Okanogan County): From mouth to Foggy Dew Creek: Selective fishery regulations.

Goldsborough Creek (Mason County): June 1 through last day in February season. Trout: Minimum length twelve inches. Release wild steelhead and wild cutthroat.

Goodman Creek (Jefferson County) outside Olympic National Park: June 1 through last day in February season. Trout, minimum length fourteen inches. December 1 through last day in February, not more than one wild steelhead per day.

Goodwin Lake (Snohomish County): Chumming permitted. Bass: Only bass less than twelve inches or over fifteen inches in length may be retained.

Goose Creek (Lincoln County), within the city limits of Wilbur: Year around season. Juveniles and holders of free licenses only.

Gorst Creek (Kitsap County): Closed waters: From lower bridge on the old Belfair Highway upstream to source (including tributaries). From mouth upstream to lower bridge: Trout: Minimum length fourteen inches.

Gosnell Creek and tributaries (tributary to Lake Isabella) (Mason County): Trout: Minimum length fourteen inches.

Goss Lake (Island County): Last Saturday in April through October 31 season.

Grande Ronde River (Asotin County):

From mouth to County Road Bridge about two and one-half miles upstream: Year around season. Selective fishery regulations September 1 through May 31. Trout: Minimum length twelve inches, maximum length twenty inches.

From County Road Bridge upstream to Oregon state line and all tributaries: June 1 through April 15 season. Selective fishery regulations June 1 through August 31. Trout: Minimum length twelve inches. Release wild steelhead September 1 through April 15.

Granite Creek and tributaries (Pend Oreille County): Closed waters.

Granite Lakes (near Marblemount) (Skagit County): Grayling: Release all grayling.

Gray Wolf River (Clallam County): From junction with Dungeness River to bridge at river mile 1.0 - Closed waters.
From bridge at river mile 1.0 upstream - selective fishery regulations. Trout: Minimum length fourteen inches.

Grays River (Wahkiakum County), from mouth to mouth of South Fork: September 1 through March 15 season. All species: Release all fish except steelhead. Trout: Minimum length twenty inches. Release wild steelhead.

Grays River, East Fork (Wahkiakum County): Selective fishery regulations. Trout: Minimum length fourteen inches.

Grays River, West Fork (Wahkiakum County), downstream from hatchery trap site: June 1 - August 31 season.

Green Lake and Green Lake, Lower (Okanogan County): December 1 through March 31 season.

Green (Duwamish) River (King County):

From the First Avenue Bridge to Tacoma Headworks Dam: June 1 through last day in February season, except waters from the Auburn-Black Diamond Bridge downstream to the 8th St. N.E. Bridge in Auburn are closed September 1 through October 15 and waters from the Auburn-Black Diamond Bridge downstream to the Highway 18 Bridge are closed September 1 through October 31. Fishing from any floating device prohibited November 1 through last day in February. Trout: Minimum length fourteen inches. Wild steelhead may be retained July 1 through November 30.

From the SR 167 Freeway Bridge to the Tacoma Headworks Dam: Additional March 1 through March 15 season. Fishing from any floating device prohibited. Trout, minimum length fourteen inches. Release wild steelhead.

Green River (Cowlitz County): Closed waters: All tributaries.

From mouth to 2800 Bridge: June 1 through November 30 season except closed from ((salmon hatchery rack)) the water intake at the upper end of the hatchery grounds downstream to a point 1500 feet ((downstream)) below the salmon hatchery rack during the period September 1 through

PERMANENT

November 30. All species: Release all fish except steelhead. Trout: Minimum length twenty inches.

From 2800 Bridge to source: Closed waters.

Greenwater River (King County), from mouth to Greenwater Lakes: Selective fishery regulations. Trout: Minimum length twelve inches.

Grimes Lake (Douglas County): June 1 through August 31 season. Selective fishery regulations, except fishing from a floating device equipped with an electric motor allowed. Trout: Daily limit one.

Grizzly Lake (Skamania County): Closed waters.

Halfmoon Lake (Adams County): March 1 through September 30 season.

Hallin Lake (Adams County): Channel catfish: Daily limit five. Bass: Only bass less than twelve inches or over fifteen inches in length may be retained.

Hamilton Creek (Skamania County): June 1 through March 15 season. Trout: Minimum length twelve inches. Release wild steelhead and wild cutthroat.

Hamma Hamma River (Mason County):

From mouth to four hundred feet below falls: June 1 through last day in February season. Trout: Minimum length fourteen inches. Release wild steelhead.

From falls to mouth of Boulder Creek: Trout: Daily limit five, no minimum length.

Hammersley Inlet Freshwater Tributaries (Mason County), except Mill Creek: Closed waters.

Hampton Lakes, Lower and Upper (Grant County): March 1 through July 31 season. Fishing from a floating device equipped with an internal combustion motor prohibited.

Hancock Lake (King County): June 1 through October 31 season. All tributary streams and the upper third of the outlet are closed waters.

Harrison Pond (Skagit County): Closed waters.

Hart Lake (Pierce County): Bass: Only bass less than twelve inches or over fifteen inches in length may be retained.

Harvey Creek (tributary to Sullivan Lake) (Pend Oreille County):

From mouth to Bridge 4830 on county road (about one and one-half miles): Closed waters.

From Bridge 4830 upstream: Selective fishery regulations.

Harvey Creek (tributary to Stillaguamish River) (Snohomish County): Closed waters.

Hatch Lake (Stevens County): December 1 through March 31 season.

Hatchery Lake (Mason County): Last Saturday in April through October 31 season.

Haven Lake (Mason County): Last Saturday in April through October 31 season.

Hawk Creek (Lincoln County): Year around season.

Hays Creek and Ponds (Adams County): March 1 through September 30 season.

Headgate Pond (Asotin County): Last Saturday in April through October 31 season. Juveniles and holders of free licenses only.

Heart Lake (near Anacortes) (Skagit County): Last Saturday in April through October 31 season.

Heins Lake (Kitsap County): Closed waters.

Hemlock Lake (Trout Creek Reservoir) (Skamania County): June 1 through October 31 season. Selective fishery regulations. Trout: Daily limit two, minimum length fourteen inches. Release wild steelhead.

Heritage Lake (Stevens County): Last Saturday in April through October 31 season.

Hicks Lake (Thurston County): Last Saturday in April through October 31 season.

Hog Canyon Lake (Spokane County): December 1 through March 31 season. Trout: No more than two over fourteen inches in length may be retained.

Hoh River (Jefferson County), from mouth to mouth of South Fork: June 1 through April 15 season. December 1 through April 15, from Highway 101 to mouth of south fork, selective fishery regulations. Trout: Minimum length fourteen inches. December 1 through April 15, from mouth to Highway 101 not more than one wild steelhead per day, and from Highway 101 to mouth of south fork, wild steelhead release.

Hoh River South Fork (Jefferson County), outside Olympic National Park boundary: June 1 through April 15 season. December 1 through April 15, selective fishery regulations. Trout: Minimum length fourteen inches. December 1 through April 15, wild steelhead release.

Hoko River (Clallam County): Trout, minimum length fourteen inches.

From mouth to cement bridge on Lake Ozette Highway (upper Hoko Bridge): Additional November 1 through March 15 season. Trout: Minimum length fourteen inches.

From upper Hoko Bridge to Ellis Creek Bridge (river mile 18.5): Additional November 1 through March 31 season. Fly fishing only. Fishing from a floating device equipped with a motor prohibited. All species: Release all fish.

Hoquiam River, including all forks (Grays Harbor County): June 1 through March 31 season. Trout: Minimum length twelve inches. Release wild cutthroat.

Horseshoe Lake (Clark/Cowlitz counties): Last Saturday in April through last day in February season.

Horseshoe Lake (Jefferson County): Last Saturday in April through October 31 season. Selective fishery regulations. Trout: Daily limit 1.

Horseshoe Lake (Kitsap County): Last Saturday in April through October 31 season.

Horseshoe Lake (Pend Oreille County): Last Saturday in April through October 31 season. Chumming permitted. Trout except kokanee: Daily limit five. Kokanee not counted in daily trout limit. Kokanee daily limit ten.

Horsethief Lake (Klickitat County): Last Saturday in April through October 31 season.

Hourglass Lake (Grant County): March 1 through March 31 and September 1 through September 30 seasons.

Howard Lake (Snohomish County): Last Saturday in April through October 31 season.

Howell Lake (Mason County): Last Saturday in April through October 31 season.

Hozomeen Lake (Whatcom County): July 1 through October 31 season.

Huff Lake (Pend Oreille County): Closed waters.

Humptulips River (Grays Harbor County), from mouth to forks: June 1 through April 30 season. Trout: Minimum length fourteen inches.

Humptulips River, East Fork (Grays Harbor County), from mouth to concrete bridge on Forest Service Road between Humptulips Guard Station and Grisdale: June 1 through April 30 season. Trout: Minimum length fourteen inches.

Humptulips River, West Fork (Grays Harbor County), from mouth to bridge on Forest Service Road # 2204 (about one-half mile above the mouth of Chester Creek): June 1 through April 30 season. Trout: Minimum length fourteen inches.

Hutchinson Lake (Adams County): March 1 through September 30 season. Fishing from a floating device equipped with an internal combustion engine prohibited.

I-82 Ponds, 1 and 2 (Yakima County): Walleye: Unlawful to retain walleye.

I-82 Ponds, 1 through 7 (Yakima County): Fishing from vessels equipped with internal combustion engines prohibited.

Icehouse Lake (Skamania County): Last Saturday in April through last day in February season.

Icicle River (Creek) (Chelan County):

From mouth to four hundred feet below Leavenworth National Fish Hatchery rack: June 1 through March 31 season. Trout, minimum length twelve inches. Release wild steelhead. From Rock Island Bridge upstream to Leland Creek: Selective fishery regulations.

Indian Creek (tributary to Elwha River) (Clallam County), from mouth upstream to first Highway 101 crossing: Selective fishery regulations. Trout: Minimum length twelve inches.

Indian Creek (Yakima County): Closed waters.

Indian Dan Pond (Okanogan County): July 1 through October 31 season.

Indian Heaven Wilderness Lakes (Skamania County): Trout: Daily limit three.

Issaquah Creek (King County): Closed waters.

Jameson Lake (Douglas County): Last Saturday in April through July 4 and October 1 through October 31 seasons.

Jasmine Creek (Okanogan County): Juveniles only.

Jefferson Park Pond (Walla Walla County): Last Saturday in April through October 31 season. Juveniles only.

Jennings Park Pond (Snohomish County): Last Saturday in April through October 31 season. Juveniles only.

Jewitt Creek (Klickitat County): Juveniles only. Trout: Daily limit five, no minimum length.

John's Creek (Mason County): Closed waters.

Johns River, including North and South Forks (Grays Harbor County): June 1 through last day in February season. Trout: Minimum length twelve inches. Release wild cutthroat.

Johnson Creek (tributary to Cowlitz River) (Lewis County): Selective fishery regulations. Trout: Minimum length ten inches.

Johnson Creek (Whatcom County), from Northern Pacific Railroad tracks to the Lawson Street footbridge in Sumas: Juveniles only.

Jump-Off Joe Lake (Stevens County): Last Saturday in April through October 31 season.

Kachess Lake (Reservoir) (Kittitas County): Chumming permitted. Trout except kokanee: Daily limit two, minimum length twelve inches. Kokanee not counted in daily trout limit. Kokanee daily limit sixteen. Burbot: One set line per angler, no maximum number of hooks; set lines must be identified with fisher's name and address.

Kachess River (Kittitas County): Lawful to fish to base of Kachess Dam. From Kachess Lake (Reservoir) upstream to Mineral Creek: Closed waters.

Kalaloch Creek (Jefferson County), outside Olympic National Park: June 1 through last day in February season. Trout: Minimum length fourteen inches.

Kalama River (Cowlitz County): Trout, minimum length 14 inches. Release wild cutthroat and wild steelhead.

From mouth upstream to one thousand feet below fishway at upper salmon hatchery: Year around season except during the period the temporary fish rack is installed. Waters from two hundred feet above to one thousand five hundred feet below the rack are closed waters. Fishing from a floating device equipped with a motor prohibited upstream of Modrow Bridge. Fly fishing only from the pipeline crossing to the posted deadline at the intake to the lower salmon hatchery. September 1 through October 31.

From one thousand feet below to one thousand feet above the fishway at upper salmon hatchery: Closed waters.

From one thousand feet above the fishway at the upper salmon hatchery to Summers Creek: Year around season.

From Summers Creek upstream to the 6420 Road at about one mile above the gate at the end of the county road: June 1 through March 31 season. Fly fishing only.

From 6420 Road to Kalama Falls: Closed waters.

Kalispell Creek and tributaries (Pend Oreille County): Last Saturday in April through October 31 season. Selective fishery regulations.

Kapowsin Lake (Pierce County): Bass: Only bass less than twelve inches or over fifteen inches in length may be retained.

Kathleen Lake (King County): Bass: Only bass less than twelve inches or over fifteen inches in length may be retained.

Keechelus Lake (Reservoir) (Kittitas County): Chumming permitted. Trout except kokanee: Daily limit two, minimum

length twelve inches, additionally up to sixteen kokanee may be retained. Burbot: One set line per angler, no maximum number of hooks; set lines must be identified with fisher's name and address.

Kelsey Creek (tributary of Lake Washington) (King County): Closed waters.

Kennedy Creek (Thurston County), from mouth to four hundred feet below falls: June 1 through last day in February season. Trout: Minimum length fourteen inches. Release wild steelhead.

Kennedy Creek Pond (Thurston County): Last Saturday in April through October 31 season.

Kettle River (Stevens County):

June 1 through October 31 season. Trout: Selective fishery regulations, minimum length 12 inches. Walleye: No minimum size. Daily limit 8 fish not more than one of which may be longer than 20 inches. Release walleye 16 to 20 inches in length.

Additional season: November 1 through March 31. All species except walleye and whitefish: Selective fishery regulations and release all fish. Walleye: No minimum size. Daily limit 8 fish not more than one of which may be longer than 20 inches. Release walleye 16 to 20 inches in length. Whitefish: Single hook only.

Additional season: April 1 through May 31. All species except whitefish: Selective fishery regulations and release all fish. Whitefish: Single hook only.

Ki Lake (Snohomish County): Last Saturday in April through October 31 season. Bass: Only bass less than twelve inches or over fifteen inches in length may be retained.

Kidney Lake (Skamania County): Last Saturday in April through last day in February season.

Kimball Creek (near Snoqualmie) (King County): Last Saturday in April through October 31 season. Juveniles only. Trout: No minimum length.

Kings Lake and tributaries (Pend Oreille County): Closed waters.

Kings Lake Bog (King County): Closed waters.

Klaus Lake (King County): Last Saturday in April through October 31 season, except the inlet and outlet to first Weyerhaeuser spur are closed waters. Selective fishery regulations. Trout: Daily limit two, minimum length fourteen inches.

Klickitat River (Klickitat County):

From mouth to Fisher Hill Bridge: June 1 through November 30 season. Trout: Minimum length twelve inches.

From Fisher Hill Bridge to four hundred feet above # 5 fishway: Closed waters.

From four hundred feet above # 5 fishway to the Yakama Indian Reservation boundary: June 1 through November 30 season, except waters from boundary markers above Klickitat salmon hatchery to boundary markers below hatchery are closed waters. Trout: Minimum length twelve inches. Whitefish: Additional December 1 through March 31 season. Release all fish except whitefish.

From the Yakama Indian Reservation boundary upstream to source, including all tributaries: Closed waters.

Klineline Ponds (Clark County): Last Saturday in April through last day in February season.

Koeneman Lake (Fern Lake) (Kitsap County): Last Saturday in April through October 31 season. Selective fishery regulations. All species: Release all fish.

Kress Lake (Cowlitz County): Last Saturday in April through last day in February season. Fishing from a floating device equipped with an internal combustion motor prohibited. Bass: Only bass less than twelve inches or over eighteen inches in length may be retained.

Lacamas Creek (Clark County): Lawful to fish upstream to the base of Lacamas Lake Dam.

Lacamas Creek, tributary of Cowlitz River (Lewis County): June 1 through last day in February season. Trout: Minimum length fourteen inches. Release wild steelhead.

Lake Creek, upstream from Pasayten Wilderness boundary (Okanogan County): June 1 through August 31 season. Selective fishery regulations.

Langlois Lake (King County): Last Saturday in April through October 31 season.

Latah (Hangman) Creek (Spokane County): Year around season.

Lawrence Lake (Thurston County): Bass: Only bass less than twelve inches or over fifteen inches in length may be retained.

Leader Lake (Okanogan County): Last Saturday in April through September 30 season.

Ledbetter Lake (Pend Oreille County): Last Saturday in April through October 31 season.

Ledking Lake (Pend Oreille County): Last Saturday in April through October 31 season.

Leech Lake (White Pass area) (Yakima County): Fly fishing only. Fishing prohibited from floating devices equipped with motors. Trout: No more than two over twelve inches in length.

Lemna Lake (Grant County): March 1 through March 31 and September 1 through September 30 seasons.

Lenice Lake (Grant County): March 1 through October 31 season. Selective fishery regulations. Trout: Daily limit one.

Lenore Lake (Grant County): Closed waters: Area within two hundred yard radius of trash rack leading to the irrigation pumping station (south end of lake) and area approximately one hundred yards beyond the mouth of inlet stream to State Highway 17. March 1 through May 31 season: Selective fishery regulations, except fishing from a floating device equipped with an electric motor permitted. All species: Release all fish. Additional season June 1 through November 30: Selective fishery regulations, except fishing from a floating device equipped with an electric motor permitted. Trout: Daily limit one.

Leo Lake (Pend Oreille County): Last Saturday in April through October 31 season.

Lewis River (Clark County), from mouth to forks: Year around season. Trout: Minimum length twelve inches. Release wild steelhead and wild cutthroat.

Lewis River, North Fork (Clark/Skamania counties):

From mouth to ~~((overhead powerlines below Merwin Dam))~~ Johnson Creek: Year around season ~~((except those waters shoreward of the cable buoy and corkline at the mouth of the Lewis River Salmon Hatchery fish ladder are closed waters))~~. Trout: Minimum length twelve inches. Release wild steelhead and wild cutthroat.

From ~~((lower Cedar Creek concrete boat ramp))~~ Johnson Creek to Colvin Creek: ~~((Night closure April 1 through October 31.))~~ June 16 through April 30 season except those waters shoreward of the cable buoy and corkline at the mouth of the Lewis River Salmon Hatchery fish ladder are closed waters. Fishing from any floating device prohibited August 16 through October 15. Trout: Minimum length twelve inches. Release wild steelhead and wild cutthroat.

From mouth of Colvin Creek to overhead powerlines at Merwin Dam: December 16 through September 30 season. Trout: Minimum length twelve inches. Release wild steelhead and wild cutthroat.

From overhead powerlines at Merwin Dam to Merwin Dam: Closed waters.

From the cable crossing 1,300 feet below Yale Dam to Yale Dam: Closed waters.

Within Lewis River Power Canal and old Lewis River streambed between Swift No. 1 powerhouse and Swift No. 2 powerhouse: Last Saturday in April through October 31 season. Fishing from any floating device prohibited.

From Eagle Cliff Bridge to lower falls including all tributaries: Selective fishery regulations. All species: Release all fish.

Lewis River, East Fork (south) (Clark/Skamania counties): Closed waters: From the posted markers four hundred feet below to one hundred feet above Lucia Falls; from four hundred feet below to four hundred feet above Molton Falls; from four hundred feet below Horseshoe Falls to one hundred feet above Sunset Falls. Trout: Release wild steelhead.

From mouth to four hundred feet below Horseshoe Falls: June 1 through March 15 season. Trout: Minimum length fourteen inches.

From one hundred feet above Sunset Falls to source: June 1 through December 31 season. Trout: Minimum length fourteen inches.

Mouth to posted markers at top boat ramp at Lewisville Park: Trout: Additional April 16 through May 31 season. Release all fish other than steelhead.

Liberty Lake (Spokane County): Last Saturday in April through September 30 season.

Lilly Lake (Chelan County): Last Saturday in April through October 31 season. July 5 through October 31, selective fishery regulations, and all species: Release all fish.

Lincoln Pond (Clallam County): Juveniles only.

Little Ash Lake (Skamania County): Last Saturday in April through last day in February season.

Little Bear Creek (tributary of Sammamish River) (Snohomish/King counties): Closed waters.

Little Klickitat River (Klickitat County), within Goldendale city limits: Last Saturday in April through October 31 season. Juveniles only. Trout: Daily limit five, no minimum length.

Little Lost Lake (Pend Oreille County): Last Saturday in April through October 31 season.

Little Naches River (Yakima County), Pileup Creek to Road 1913 Bridge: Selective fishery regulations.

Little Nisqually River (Lewis County): Selective fishery regulations. Trout: Minimum length ten inches.

Little Quilcene River (Jefferson County), from mouth to the Little Quilcene River Bridge on Penny Creek Road, June 1 through last day in February season: Trout: Minimum length fourteen inches. Release wild steelhead.

Little Spokane River (Spokane County):

From mouth to SR 291 Bridge: Year around season.

From SR 291 Bridge upstream to the West Branch: April 30 through October 31 season. Whitefish: Additional December 1 through March 31 season. Release all fish except whitefish.

Little Twin Lake (Okanogan County): December 1 through March 31 season.

Little Twin Lake (Stevens County): Last Saturday in April through October 31.

Little Wenatchee River (Chelan County), from Lake Wenatchee to the falls below U.S. Forest Service Road 6700 Bridge at Riverside Campground: Selective fishery regulations.

Little White Salmon River (Skamania County): Closed waters: From markers at federal fish hatchery a distance of one thousand five hundred feet upstream to fishway. Trout: Daily limit five.

Loma Lake (Snohomish County): Last Saturday in April through October 31 season.

Long Lake (Ferry County): Last Saturday in April through October 31 season. Fly fishing only. Unlawful to fish from floating devices equipped with motors.

Long Lake (Kitsap County): Bass: Only bass less than twelve inches or over fifteen inches in length may be retained.

Long Lake (Okanogan County): Last Saturday in April through September 30 season.

Long Lake (Spokane River Reservoir) (Spokane County): Bass: Release all bass May 1 through June 30.

Long Lake (Thurston County): Last Saturday in April through October 31 season.

Long's Pond (Thurston County): Juveniles only.

Loomis Lake (Pacific County): Last Saturday in April through October 31 season.

Loomis Pond (Grays Harbor County): Closed waters.

Loon Lake (Stevens County): Last Saturday in April through October 31 season. Trout except kokanee: Daily limit five, except no more than two over twenty inches in length may be retained. Kokanee not counted in daily trout limit. Kokanee daily limit ten.

Lost Lake (Okanogan County): Unlawful to fish from a floating device equipped with an internal combustion engine.

Lost River (Okanogan County):

From one-quarter mile above bridge to mouth of Monument Creek: Selective fishery regulations. Trout: Minimum length twelve inches.

From mouth of Drake Creek to outlet of Cougar Lake: Selective fishery regulations. Trout: Legal to retain Dolly Varden/Bull Trout as part of trout daily limit. Dolly Varden/Bull Trout daily limit two, minimum length fourteen inches.

Love Lake (Clark County): Closed waters.

Lower Lena Lake (Jefferson County): Closed waters: Inlet stream from mouth upstream to footbridge (about one hundred feet).

Lucas Slough (Skagit County): Closed waters.

Ludlow Lake (Jefferson County): Last Saturday in April through October 31 season.

Lyons Park Pond (at College Place) (Walla Walla County): Last Saturday in April through October 31 season. Juveniles only.

Lyre River (Clallam County)

From mouth to falls near river mile 3: June 1 through last day in February season. Trout: Minimum length fourteen inches. Release wild steelhead.

From falls to source: Trout: Minimum length twelve inches.

Mad River (Chelan County), from mouth upstream to Jimmy Creek: Closed waters.

Maggie Lake (Mason County): Last Saturday in April through October 31 season.

Marie Lake (Hampton Sloughs) (Grant County): March 1 through July 31 season.

Margaret Lake (King County): Last Saturday in April through October 31 season.

Marshal Lake (Pend Oreille County): Last Saturday in April through October 31 season.

Martha Lake (Grant County): March 1 through July 31 season.

Martha Lake (Snohomish County): Last Saturday in April through October 31 season.

May Creek (tributary of Lake Washington) (King County): Closed waters.

McAllister Creek (Thurston County): Trout: Minimum length fourteen inches.

McCabe Pond (Kittitas County): Fishing from any floating device prohibited. All species: Five fish daily limit for all species combined.

McDonald Creek (Clallam County): Trout: Minimum length fourteen inches.

McDowell Lake (Stevens County): Last Saturday in April through October 31 season. Fly fishing only. Fishing from a floating device equipped with a motor prohibited. All species: Release all fish.

McIntosh Lake (Thurston County): Last Saturday in April through October 31 season.

McLane Creek (Thurston County), from the south bridge on Highway 101 upstream: Trout: Minimum length fourteen inches.

McLane Creek Ponds (Thurston County): Last Saturday in April through October 31 season.

McMurray Lake (Skagit County): Last Saturday in April through October 31.

Medical Lake (Spokane County): Last Saturday in April through September 30 season. Selective fishery regulations. Trout: Daily limit two, minimum length fourteen inches.

Medical Lake, West (Spokane County): Last Saturday in April through September 30 season.

Melaney Creek (Mason County): Closed waters.

Melbourne Lake (Mason County): Last Saturday in April through October 31 season.

Mercer Creek (Kittitas County), that portion within Ellensburg city limits: Juveniles only. Trout: Daily limit five, no minimum length.

Mercer Slough (tributary of Lake Washington) (King County): Closed waters.

Merrill Lake (Cowlitz County): Fly fishing only. Unlawful to fish from a floating device equipped with an internal combustion engine. Trout: Daily limit two, maximum length twelve inches.

Merritt Lake (Chelan County): Trout: Daily limit sixteen.

Merry Lake (Grant County): March 1 through October 31 season. Selective fishery regulations. Trout: Daily limit one.

Methow River (Okanogan County):

From mouth upstream to second powerline crossing (approximately 1 mile): June 1 through March 31 season. Trout: Minimum length twelve inches. Release wild steelhead.

From second powerline crossing to mouth of Lost River: Selective fishery regulations June 1 through September 30. Trout: Minimum length twelve inches. Release wild steelhead.

Middle Nemah Pond (Pacific County): June 1 through October 31 season.

Migraine Lake (Grant County): March 1 through July 31 season.

Mill Creek (Cowlitz County), from mouth to forks (approximately one mile): June 1 through March 15 season. Trout: Minimum length twelve inches. Release wild steelhead and wild cutthroat. Release all steelhead June 1 through October 31.

Mill Creek (Mason County): June 1 through last day in February season. Trout: Minimum length fourteen inches. Release wild steelhead.

Mill Creek (Walla Walla County):

From mouth to 9th St. Bridge: June 1 through April 15 season. All species: Release all fish except steelhead

September 1 through April 15. Trout: Release wild steelhead.

From 9th St. Bridge to Roosevelt St. Bridge, within city limits of Walla Walla: Closed waters.

From Roosevelt St. Bridge to Bennington Lake flood diversion dam: Trout: Daily limit five.

From Bennington Lake flood diversion dam upstream, including all tributaries: June 1 through October 31 season.

Mill Creek Pond (Grays Harbor County): Juveniles only.

Mill Pond (Auburn) (King County): Last Saturday in April through October 31 season. Juveniles only.

Mill Pond (Pend Oreille County): Last Saturday in April through October 31 season.

Mima Creek (Thurston County): Selective fishery regulations. Trout: Minimum length twelve inches.

Mineral Creek (tributary to upper Kachess River) (Kittitas County), from mouth to Wilderness Boundary: Closed waters.

Mineral Creek (tributary to Nisqually River), and Mineral Creek, North Fork (Lewis County): Selective fishery regulations. Trout: Minimum length twelve inches.

Mineral Lake (Lewis County): Last Saturday in April through September 30 season.

Minter Creek (Pierce/Kitsap counties): Closed waters: Area from department intake dam downstream to mouth. Trout: Minimum length fourteen inches.

Mirror Lake (Grant County): Last Saturday in April through September 30 season.

Mission Lake (Kitsap County): Last Saturday in April through October 31 season.

Moclips River (Grays Harbor County), from mouth to outside the Quinault Indian Reservation: June 1 through last day in February season. Trout: Minimum length fourteen inches.

Monte Christo Lake (Snohomish County): June 1 through October 31 season. Selective fishery regulations.

Mooses Pond (Pacific County): June 1 through October 31 season.

Moran Slough (including inlet and outlet streams) (Grant County): Closed waters.

Morgan Lake (Adams County): March 1 through September 30 season.

Morse Creek (Clallam County), from mouth to Port Angeles Dam: June 1 through last day in February season. Trout: Minimum length fourteen inches. Release wild steelhead.

Moses Lake (Grant County): Crappie: Daily limit five, only crappie more than ten inches in length may be retained. Bluegill: Daily limit five, only bluegill more than eight inches in length may be retained.

Mosquito Creek (Jefferson County) outside Olympic National Park: June 1 through last day in February season. Trout: Minimum length fourteen inches.

Muck Creek and tributaries (within Ft. Lewis Military Reservation) (Pierce County): Selective fishery regulations. Trout: Release all trout.

Mud Lake (Mason County): Last Saturday in April through October 31 season.

Mud Lake (Yakima County): Selective fishery regulations. Trout: Daily limit two.

Mudget Lake (Stevens County): Last Saturday in April through October 31 season.

Munn Lake (Thurston County): Last Saturday in April through October 31 season.

Muskegon Lake (Pend Oreille County): Last Saturday in April through October 31 season. Selective fishery regulations.

Myron Lake (Yakima County): Selective fishery regulations. Trout: Daily limit two.

Mystic Lake (Pend Oreille County): Last Saturday in April through October 31 season.

Naches River (Yakima/Kittitas counties):

From the mouth to Rattlesnake Creek: Trout: Minimum length twelve inches, maximum length twenty inches. Whitefish: Additional December 1 through March 31 season. Release all fish except whitefish.

From Rattlesnake Creek to Little Naches River: Trout: Maximum length twenty inches. Whitefish: Additional December 1 through March 31 season. Release all fish except whitefish.

Naneum Pond (Kittitas County): Juveniles only.

Naselle River (Pacific/Wahkiakum counties), from Highway 101 Bridge upstream including all forks: Closed waters: Area from four hundred feet below falls in Sec. 6, T10N, R8W (Wahkiakum County) to falls, and September 1 through January 31, waters within four hundred feet both upstream and downstream of the entrance to the Naselle Salmon Hatchery. Trout: Minimum length fourteen inches.

From Highway 101 Bridge to mouth of North Fork: Additional November 1 through March 31 season. Trout: Minimum length fourteen inches.

South Fork, from mouth to Bean Creek: Additional November 1 through last day in February season. Trout: Minimum length fourteen inches.

Nason Creek (Chelan County) from the Kahler Creek Bridge (near Coles Corner) upstream to Stevens Creek: Selective fishery regulations.

Nason Creek Fish Pond (Chelan County): Juveniles and disabled persons only.

Negro Creek (Lincoln County): June 16 through March 31 season from mouth at Sprague Lake to town of Sprague.

Negro Creek (Whitman County): Last Saturday in April through July 15 season.

Nemah River, North, Middle, and South: June 1 through last day in February season. Trout: Minimum length fourteen inches.

Newhalem Ponds (Whatcom County): Closed waters.

New Mire Creek (tributary of Lake Sawyer) (King County): Last Saturday in April through October 31 season. Juveniles only.

Newaukum River, main river, Middle Fork and South Fork (Lewis County): June 1 through March 31 season. Trout: Minimum length fourteen inches. Release wild steelhead.

Newaukum River, North Fork (Lewis County):

From mouth to four hundred feet below Chehalis city water intake: June 1 through March 31 season. Trout: Minimum length fourteen inches. Release wild steelhead.

From Chehalis city water intake upstream: Closed waters.

Nile Lake (Pend Oreille County): Last Saturday in April through October 31 season.

Nisqually River (Pierce County), from mouth to four hundred feet below LaGrande Powerhouse: June 1 through November 30 season. Trout: Minimum length fourteen inches.

Nooksack River (Whatcom County), from mouth to forks, Middle Fork to Dam and North Fork to Nooksack Falls: June 1 through March 15 season. Fishing from floating devices equipped with motors prohibited on the North and Middle Forks November 1 through March 15. Trout: Minimum length fourteen inches. Release wild steelhead.

Nooksack River, South Fork (Skagit/Whatcom counties):

From its mouth to source: During all open periods: Selective fishery regulations. Trout: Minimum length fourteen inches. Release wild steelhead.

From mouth to Skookum Creek: June 1 through March 15 season. Fishing from a floating device equipped with a motor prohibited November 1 through March 15.

From Skookum Creek upstream: Trout: Release all steelhead June 1 through September 30.

No Name Lake (Pend Oreille County): Last Saturday in April through October 31 season.

North Creek (tributary of Sammamish River) (Snohomish/King counties): Closed waters.

North Elton Ponds (Yakima County): December 1 through March 31 season. Fishing from a floating device equipped with an internal combustion engine prohibited. Trout: Daily limit two.

North Lake (King County): Last Saturday in April through October 31 season.

North Potholes Reserve Ponds (Grant County): February 1 through October 10 season. Fishing from any floating device prohibited, except float tubes permitted.

North River (Grays Harbor/Pacific counties), from Highway 105 Bridge upstream: Trout: Minimum length fourteen inches.

From Highway 105 Bridge to Falls River: Additional November 1 through last day in February season. Trout: Minimum length fourteen inches.

Northern State Hospital Pond (Skagit County): Last Saturday in April through October 31 season. Juveniles only.

Northwestern Reservoir (Klickitat/Skamania counties): Last Saturday in April through last day in February season.

Nunnally Lake (Grant County): March 1 through October 31 season. Closed waters: Outlet stream of Nunnally Lake. Selective fishery regulations. Trout: Daily limit one.

Oak Creek (Yakima County): Trout: Daily limit five, no minimum length.

Oakland Bay freshwater tributaries (Mason County), except Goldsborough Creek (including Shelton Creek, Canyon Creek, Uncle John Creek, Campbell Creek, Melaney Creek, Deer Creek, John's Creek, and Cranberry Creek to Lake Limerick): Closed waters.

Ohanapecosh Creek (tributary to Cowlitz River) (Lewis/Pierce counties): Selective fishery regulations. Trout: Minimum length twelve inches.

Ohop Lake (Pierce County): Bass: Only bass less than twelve inches or over fifteen inches in length may be retained.

Okanogan River (Okanogan County): Year around season. Closed waters: From Zosel Dam downstream to one-quarter mile below the railroad trestle. Trout: Minimum length twelve inches. Release wild steelhead.

Old Fishing Hole Pond (Kent) (King County): Last Saturday in April through October 31 season. Juveniles only.

Olequa Creek (Lewis County): June 1 through last day in February season. Trout: Minimum length fourteen inches. Release wild steelhead.

Osborne Lake (Mason County): Last Saturday in April through October 31 season.

Outlet Creek (Klickitat County): Trout: Daily limit five.

Owens Pond (Pacific County): June 1 through October 31 season.

Ozette River (Clallam County), outside Olympic National Park: June 1 through last day in February season. Trout: Minimum length fourteen inches.

Packwood Lake (Lewis County): Closed waters: All inlet streams and outlet from log boom to dam. Last Saturday in April through October 31 season. Selective fishery regulations. Trout: Daily limit five, minimum length ten inches.

Padden Lake (Whatcom County): Last Saturday in April through October 31 season. Fishing from a floating device equipped with an internal combustion motor prohibited.

Palix River, including all forks (Pacific County): June 1 through last day in February season. Trout: Minimum length fourteen inches.

Palouse River and tributaries (Whitman County): Year around season.

Palmer Lake (Okanogan County): Bass: Only bass less than twelve inches or over fifteen inches in length may be retained. Burbot: A single set line per fisher with unlimited hooks may be used for burbot, provided the set line is clearly identified with the fisher's name and address.

Pampa Pond (Whitman County): Last Saturday in April through September 30 season. Fishing from any floating device prohibited.

Panhandle Lake (Mason County): Last Saturday in April through October 31 season.

Panther Creek (Chelan County): Closed waters.

Panther Creek (tributary to Wind River) (Skamania County): Selective fishery regulations. Trout: Minimum length twelve inches.

Panther Lake (Kitsap/Mason counties): Last Saturday in April through October 31 season.

Para-Juvenile Lake (Adams/Grant counties): March 1 through July 31 season. Juveniles only.

Park Lake (Grant County): Last Saturday in April through September 30 season.

Parker Lake (Pend Oreille County): Last Saturday in April through October 31 season.

Pass Lake (Skagit County): Fly fishing only. Fishing from a floating device equipped with a motor prohibited. Trout: Daily limit one, minimum length eighteen inches.

Pataha Creek (Garfield County):

From mouth to Pomeroy city limits: Year around season.

Within the city limits of Pomeroy: Last Saturday in April through October 31 season. Juveniles only.

From city limits of Pomeroy upstream: Selective fishery regulations.

Patterson Lake (Okanogan County): Last Saturday in April through October 31 season.

Pattison Lake (Thurston County): Last Saturday in April through October 31 season.

Peabody Creek (Clallam County): Last Saturday in April through October 31 season. Juveniles only.

Pearrygin Lake (Okanogan County): Last Saturday in April through September 30 season.

Pend Oreille River (Pend Oreille County): Year around season.

Perch Lake (Grant County): Last Saturday in April through September 30 season.

Percival Creek (Thurston County): Trout: Minimum length fourteen inches.

Petit Lake (Pend Oreille County): Last Saturday in April through October 31 season. Fishing from a floating device equipped with an internal combustion motor prohibited.

Phalon Lake (Stevens County): Closed waters.

Phantom Lake (King County): Bass: Only bass less than twelve inches or over fifteen inches in length may be retained.

Pheasant Lake (Jefferson County): Last Saturday in April to October 31 season.

Philippa Creek (tributary to N.F. Snoqualmie River) (King County): Closed waters.

Phillips Lake (Stevens County): Last Saturday in April through October 31 season.

Pilchuck Creek (Snohomish County), mouth to Highway 9 Bridge: June 1 through November 30 season. Selective fishing regulations. Trout: Minimum length fourteen inches. Additional December 1 through last day in February season. Trout: Minimum length fourteen inches.

Pilchuck River (Snohomish County)

From its mouth to five hundred feet downstream from the Snohomish City diversion dam: December 1 through last day in February season. Fishing from any floating device prohibited. Trout: Minimum length fourteen inches.

From 500 feet below diversion dam to diversion dam: Closed waters.

Pillar Lake (Grant County): March 1 through March 31 and September 1 through September 30 seasons.

Pine Lake (King County): Last Saturday in April through October 31 season.

Pine Lake (Mason County): Last Saturday in April through October 31 season.

Pioneer Ponds (tributary to Stillaguamish River) (Snohomish County): Closed waters.

Pipers (Carkeek) Creek (King County), from its mouth to its source, including tributaries: Closed waters.

Pleasant Lake (Clallam County): Trout: Kokanee minimum length eight inches, maximum length twenty inches.

Plummer Lake (Lewis County): Last Saturday in April through last day in February season.

Poacher Lake (Grant County): March 1 through March 31 and September 1 through September 30 seasons.

Portage Creek (tributary to Stillaguamish River) (Snohomish County): Closed waters.

Potholes Reservoir (Grant County): Crappie and bluegill: Combined daily limit twenty-five fish.

Potter's Pond (Stevens County): Last Saturday in April through October 31 season.

Pratt River (tributary to Middle Fork Snoqualmie) (King County): Selective fishery regulations. All species: Release all fish.

Prices Lake (Mason County): Last Saturday in April through October 31 season. Selective fishery regulations. All species: Release all fish.

Promised Land Pond (Grays Harbor County): June 1 through October 31 season.

Purdy Creek (Mason County): June 1 through August 15 season. Trout: Minimum length fourteen inches.

Pysht River (Clallam County): June 1 through last day in February season. Trout: Minimum length fourteen inches.

Puyallup River (Pierce County):

From mouth to the Electron power plant outlet: June 1 through January 31 season. Trout: Minimum length fourteen inches.

From mouth to the Soldier's Home Bridge in Orting: Additional February 1 through March 31 season. Trout: Minimum length fourteen inches. Release wild steelhead.

Quail Lake (Adams County): Fly fishing only. Fishing from any floating device equipped with a motor prohibited. All species: Release all fish.

Quarry Pond (Walla Walla County): Fishing from any floating device prohibited.

Quilcene River (Jefferson County):

From mouth to upper boundary of Falls View Campground June 1 through last day in February season: Trout: Minimum length fourteen inches. Release wild steelhead.

From Highway 101 Bridge upstream to the electric weir at the Quilcene National Fish Hatchery: Closed waters.

From the upper boundary of Falls View Campground to the water diversion at the mouth of Tunnel Creek: Trout: Daily limit five, no minimum length.

Quillayute River (Clallam County): June 1 through April 30 season. Trout: Minimum length fourteen inches. December 1 through April 30, not more than one wild steelhead per day.

Quinault River, Upper (Jefferson County), from mouth at upper end of Quinault Lake to the National Park boundary: June 1 through March 31 season. Trout: Minimum length fourteen inches.

Quincy Lake (Grant County): March 1 through July 31 season.

Raging River (King County), from its mouth to the Highway 18 Bridge: June 1 through last day in February season. Trout: Minimum length fourteen inches.

Rainbow Lake (Columbia County): March 1 through October 31 season. Fishing from any floating device prohibited.

Rapjohn Lake (Pierce County): Last Saturday in April through October 31 season. Bass: Only bass less than twelve inches or over fifteen inches in length may be retained.

Rat Lake (Okanogan County): December 1 through March 31 season.

Rattlesnake Creek (Yakima County): Selective fishery regulations. All species: Release all fish.

Rattlesnake Lake (King County): Last Saturday in April through October 31 season. Selective fishery regulations, except fishing from a floating device equipped with an electric motor allowed.

Ravensdale Lake (King County): Last Saturday in April through October 31 season. Selective fishery regulations. Trout: Daily limit two, minimum length twelve inches.

Reflection Pond (Okanogan County): Last Saturday in April through October 31 season.

Renner Lake (Ferry County): Last Saturday in April through October 31 season.

Ridley Lake (Whatcom County): July 1 through October 31 season. Selective fishery regulations. Trout: Daily and possession limit one, minimum length eighteen inches.

Riffe Lake (Reservoir) (Lewis County): Lawful to fish up to the base of Swofford Pond Dam.

Rigley Lake (Stevens County): Last Saturday in April through October 31 season. Selective fishery regulations. Trout: Daily limit two, minimum length fourteen inches.

Riley Lake (Snohomish County): Last Saturday in April through October 31 season.

Rimrock Lake (Reservoir) (Yakima County): Chumming permitted. Trout except kokanee: Daily limit five.

Kokanee not counted in daily trout limit. Kokanee daily limit sixteen.

Ringold Springs Creek (Hatchery Creek) (Franklin County): Closed waters.

Robbins Lake (Mason County): Last Saturday in April through October 31 season.

Rock Creek (below Landsburg) (King County): Closed waters.

Rock Creek (Skamania County): June 1 through March 15 season. Trout: Minimum length twelve inches. Release wild steelhead and wild cutthroat.

Rocky Ford Creek and Ponds (Grant County): Fly fishing only. Fishing from bank only (no wading). Trout: Daily limit one.

Rocky Lake (Stevens County): Last Saturday in April through October 31 season. June 1 through October 31 selective fishery regulations and all species: Release all fish.

Roosevelt Lake (Ferry/Lincoln/Stevens counties): All species: Closed February 1 through May 31 in San Poil arm upstream from mouth of Manilla Creek, and April 1 through May 31 in Kettle arm upstream to Napoleon Bridge. Trout: No more than two over twenty inches in length. Walleye: No minimum size. Daily limit 8 fish not more than one of which may be longer than 20 inches. Release walleye 16 to 20 inches in length.

Rose Lake (Mason County): Last Saturday in April through October 31 season.

Ross Lake (Reservoir) (Whatcom County): July 1 through October 31 season. Selective fishery regulations, except fishing from a floating device equipped with a motor allowed. Trout: Daily limit three, possession limit six, minimum length thirteen inches.

Ross Lake tributary streams (Whatcom County), except Big Beaver Creek and Ruby Creek: Closed waters: From closed water markers near mouth upstream for one mile. Above closed water marker in tributaries not listed as closed: July 1 through October 31 season.

Round Lake (Okanogan County): Last Saturday in April through September 30 season.

Rowland Lakes (Klickitat County): Last Saturday in April through last day in February season.

Royal Lake (Adams County): Last Saturday in April through September 30 season. Fishing from a floating device equipped with an internal combustion motor prohibited.

Royal Slough (including Marsh Unit IV impoundments) (Adams County): Closed waters.

Ruby Creek (tributary to Ross Lake) (Whatcom County): Closed waters.

Rufus Woods Lake (Douglas County): Trout: Daily limit two.

Sacheen Lake (Pend Oreille County): Last Saturday in April through October 31 season.

Saddle Mountain Lake (Grant County): Closed waters.

Sago Lake (Grant County): March 1 through March 31 and September 1 through September 30 seasons.

Salmon Creek (Clark County), from mouth to 72nd Avenue N.E.: June 1 through October 31 season. Trout: Minimum length twelve inches. Release all steelhead and wild cutthroat. Additional season: November 1 through March 15. Trout: Minimum length twelve inches. Release wild steelhead and wild cutthroat.

Salmon Creek, including all forks (Jefferson County): Closed waters.

Salmon Creek, North Fork and West Fork from mouth to South Fork (Okanogan County): Selective fishery regulations.

Salmon Creek (tributary of Naselle River) (Pacific County): June 1 through last day in February season. Trout: Minimum length fourteen inches.

Salmon Creek (Thurston County): Selective fishery regulations. Trout: Minimum length twelve inches.

Salmon River (Jefferson County): June 1 through last day in February season. Trout: Minimum length fourteen inches.

Salt Creek (Clallam County): Trout: Minimum length fourteen inches. Release wild steelhead.

From mouth to bridge on Highway 112: Additional November 1 through last day in February season. Trout: Minimum length fourteen inches.

Samish Lake (Whatcom County): Chumming permitted. Trout: Cutthroat trout daily limit two, minimum length fourteen inches.

Samish River (Whatcom County):

From its mouth to the old Highway 99 Bridge and from the department rack to the Hickson Bridge: June 1 through March 15 season. Trout: Minimum length fourteen inches. Release wild steelhead December 1 through March 15.

From Highway 99 Bridge to department salmon rack: Closed waters.

Sammamish Lake (King County): Trout: No more than two over fourteen inches in length. Release all kokanee. Kokanee/sockeye under fifteen inches are kokanee while those fifteen inches and over are sockeye salmon. December 1 through June 30: Release all steelhead and rainbow trout over twenty inches in length.

Sammamish River (Slough) (King County), from the 68th Avenue N.E. Bridge to Lake Sammamish: Closed waters: All tributaries. June 1 through August 31 season. Selective fishery regulations. Trout: Release all trout.

Sandyshore Lake (Jefferson County): Last Saturday in April to October 31 season.

Satsop Lakes (Grays Harbor County): Last Saturday in April through October 31 season.

Satsop River, including all forks (Grays Harbor County): Selective fishery regulations on East Fork upstream from mouth of Bingham Creek. All open periods: Trout: Minimum length twelve inches. Release wild cutthroat, except on east fork above Bingham Creek.

From mouth to bridge at Schafer Park: Additional November 1 through March 15 season. Release wild steelhead.

Middle Fork (Turnow Branch), from mouth to posted deadline at bridge on Matlock Grisdale Road: Additional November 1 through last day in February season. Trout: Release wild steelhead.

West Fork, from mouth to bridge on Matlock Grisdale Road: Additional November 1 through last day in February season. Trout: Release wild steelhead.

Sauk River (Skagit/Snohomish counties):

From mouth to the mouth of the White Chuck River: June 1 through last day in February season. Trout except Dolly Varden/Bull Trout: Minimum length fourteen inches. Legal to retain Dolly Varden/Bull Trout as part of trout daily limit, minimum length twenty inches.

From the mouth of the White Chuck River to headwaters, including North and South Forks: Selective fishery regulations. Trout except Dolly Varden/Bull Trout: Minimum length fourteen inches. Legal to retain Dolly Varden/Bull Trout as part of trout daily limit, minimum length twenty inches.

From mouth to the Darrington Bridge: Additional March 1 through April 30 season. Selective fishery regulations. All species: Release all fish.

Sawyer, Lake (King County): Chumming permitted.

Scabrock Lake (Grant County): March 1 through July 31 season.

Schaefer Lake (Chelan County): Trout: Daily limit sixteen.

Sekiu River (Clallam County): All open periods: Trout: Minimum length fourteen inches.

From mouth to forks: Additional November 1 through last day in February season. Release wild steelhead.

Shady Lake (King County): June 1 through October 31 season. Trout: No more than one over fourteen inches in length.

Shannon, Lake (Skagit County): Last Saturday in April through October 31 season. Chumming permitted. Trout: Minimum length six inches and maximum length eighteen inches.

Shelton Creek (Mason County): Closed waters.

Sherman Creek (Ferry County):

From the mouth at Lake Roosevelt upstream to four hundred feet above the water diversion dam for the hatchery: Closed waters, except December 1 through August 31 season from the mouth upstream to the hatchery boat dock.

Sherry Lake (Stevens County): Last Saturday in April through October 31 season.

Sherwood Creek (Mason County): Trout: Minimum length fourteen inches.

Sherwood Creek Mill Pond (Mason County): June 1 through October 31 season. Trout: Minimum length 14 inches, daily limit 2 fish.

Shiner Lake (Adams County): March 1 through September 30 season. Fishing from a floating device equipped with an internal combustion motor prohibited.

Shoe Lake (Mason County): Last Saturday in April through October 31 season.

Shoecraft Lake (Snohomish County): Bass: Only bass less than twelve inches or over fifteen inches in length may be retained.

Shoveler Lake (Grant County): March 1 through March 31 and September 1 through September 30 seasons.

Shye Lake (Grays Harbor County): June 1 through October 31 season.

Sidley Lake (Okanogan County): Trout: Daily limit two.

Siebert Creek (Clallam County): Trout: Minimum length fourteen inches.

Silent Lake (Jefferson County): Last Saturday in April through October 31 season.

Silver Creek (tributary to Cowlitz River) (Lewis County), mouth to USFS Road 4778: Selective fishery regulations. Trout: Minimum length twelve inches.

Silver Lake (Cowlitz County): Use of water dogs or salamanders for fishing prohibited. Bass: Minimum length fourteen inches.

Silver Lake (Pierce County): Last Saturday in April through October 31 season. Bass: Only bass less than twelve inches or over fifteen inches in length may be retained.

Silver Lake (Whatcom County): Last Saturday in April through October 31 season.

Similkameen River (Okanogan County):

From mouth to Enloe Dam: June 1 through March 31 season. Selective fishery regulations June 1 through November 30. Trout: Minimum length twelve inches. Release wild steelhead.

From Enloe Dam to Canadian border: Whitefish: Additional December 1 through March 31 season. Release all fish except whitefish.

Sinlahekin Creek (Okanogan County), from Palmer Lake to Cecile Creek bridge: June 1 through August 31 season. Selective fishery regulations. Whitefish: Additional December 1 through March 31 season. Release all fish except whitefish.

Sixteen Lake (Skagit County): Last Saturday in April through October 31 season.

Skagit River (Skagit/Whatcom counties):

From mouth to the Memorial Highway Bridge (Highway 536 at Mt. Vernon): Year around season. Trout except Dolly Varden/Bull Trout: Minimum length fourteen inches. Release steelhead April 1 through May 31. Legal to retain Dolly Varden/Bull Trout as part of trout daily limit, minimum length twenty inches.

From Memorial Highway Bridge (Highway 536 at Mt. Vernon) upstream to Gorge Powerhouse at Newhalem: June 1 through last day in February season except closed June 15 through August 31 between a line 200 feet above the east bank of the Baker River to a line 200 feet below the west bank of the Baker River. Trout except Dolly Varden/Bull Trout: Minimum length fourteen inches. Legal to retain Dolly Varden/Bull Trout as part of trout daily limit, minimum length twenty inches.

From the Gorge Powerhouse to Gorge Dam: Closed waters.

From Memorial Highway Bridge (Highway 536 at Mt. Vernon) to pipeline crossing at Sedro Woolley: Additional March 1 through March 31 season. Trout except Dolly Varden/Bull Trout: Minimum length fourteen inches. Legal to retain Dolly Varden/Bull Trout as part of trout daily limit, minimum length twenty inches.

From pipeline crossing at Sedro Woolley to mouth of Bacon Creek: Additional March 1 through March 15 season. Trout except Dolly Varden/Bull Trout: Minimum length fourteen inches. Legal to retain Dolly Varden/Bull Trout as part of trout daily limit, minimum length twenty inches.

From the Dalles Bridge at Concrete to the mouth of Bacon Creek: Additional March 16 through April 30 season. Selective fishery regulations, except lawful to fish from a floating device equipped with a motor but not while under power. All species: Release all fish.

Skamokawa Creek (Wahkiakum County), mouth to forks just below Oatfield and Middle Valley Road: November 1 through March 15 season. All species: Release all fish other than steelhead. Trout: Minimum length twenty inches. Release wild steelhead.

Skate Creek (tributary to Cowlitz River) (Lewis County): Trout: Daily limit five, no more than one over twelve inches in length.

Skokomish River (Mason County), mouth to forks: June 1 through last day in February season. Trout: Minimum length twelve inches. Release wild steelhead and wild cutthroat.

Skokomish River, South Fork (Mason County):

From mouth to mouth of Church Creek: June 1 through last day in February season. Trout: Minimum length twelve inches. Release wild steelhead and wild cutthroat.

From mouth of Church Creek to headwaters: Selective fishery regulations. Trout: Minimum length twelve inches.

Skokomish River, North Fork (Mason County):

From mouth to lower dam: June 1 through last day in February season. Trout: Minimum length twelve inches. Release wild steelhead and wild cutthroat.

Above Lake Cushman, mouth to Olympic National Park boundary: June 1 through August 31 season. Selective fishery regulations. Trout: Release all fish.

Skookum Creek (Mason County): June 1 through last day in February season. Trout: Minimum length fourteen inches. Release wild steelhead.

Skookum Lakes, North and South (Pend Oreille County): Last Saturday in April through October 31 season.

Skookumchuck Reservoir (Thurston County): June 1 through October 31 season. Trout: Daily limit two, minimum length twelve inches.

Skookumchuck River (Thurston County):

From mouth to four hundred feet below the outlet of the PP&L/WDFW steelhead rearing pond located at the base of the Skookumchuck Dam: June 1 through April 30 season. Trout: Minimum length twelve inches. Release wild steelhead and wild cutthroat.

From Skookumchuck Reservoir upstream and all tributaries: Selective fishery regulations. Trout: Minimum length twelve inches.

Skykomish River (Snohomish County):

From mouth to mouth of Sultan River: June 1 through last day in February season. Fishing from any floating device prohibited November 1 through last day in February from the boat ramp below Lewis Street Bridge at Monroe downstream two thousand five hundred feet. Trout except Dolly Varden/Bull Trout: Minimum length fourteen inches. Legal to retain Dolly Varden/Bull Trout as part of trout daily limit, minimum length twenty inches. Additional March 1 through April 30 season: Selective fishery regulations. Fishing from any floating device prohibited from the boat ramp below Lewis Street Bridge at Monroe downstream two thousand five hundred feet. All species: Release all fish.

From the mouth of the Sultan River to the forks: June 1 through March 31 season, except closed June 1 to 8:00 a.m. August 1 in those waters one thousand five hundred feet upstream and one thousand feet downstream of the outlet at Skykomish Rearing Ponds. Fishing from any floating device prohibited in the area one thousand five hundred feet upstream and one thousand feet downstream of the outlet at Skykomish Rearing Ponds. Trout except Dolly Varden/Bull Trout: Minimum length fourteen inches. Legal to retain Dolly Varden/Bull Trout as part of trout daily limit, minimum length twenty inches. Release wild steelhead March 1 through March 31.

Skykomish River, North Fork (Snohomish County):

From mouth to one thousand feet downstream from Bear Creek Falls: June 1 through last day in February season. Trout: Minimum length fourteen inches.

From one thousand feet below Bear Creek Falls to one thousand feet above Bear Creek Falls: Closed waters.

From one thousand feet upstream of Bear Creek Falls to Quartz Creek: Selective fishery regulations. All species: Release all fish.

Skykomish River, South Fork (King/Snohomish counties):

From mouth to six hundred feet downstream from the Sunset Falls Fishway: June 1 through last day in February season. Trout: Minimum length fourteen inches.

From a point six hundred feet downstream of the Sunset Falls Fishway to the Sunset Falls Fishway: Closed waters.

From Sunset Falls to source: June 1 through November 30 season. Selective fishery regulations. Trout: Minimum length fourteen inches. Whitefish: Additional December 1 through last day in February season. Release all fish other than whitefish.

Smith Creek (near North River) (Pacific County): June 1 through last day in February season. Trout: Minimum length fourteen inches.

Snake River: Year around season. Closed to the taking of all trout April 1 through June 15. Trout: Daily limit six, minimum length ten inches, no more than two over twenty inches. Release all steelhead June 16 through August 31. Release wild steelhead September 1 through March 31. Barbless hooks required when fishing for steelhead on that portion of the Snake River which forms the boundary between Washington and Idaho.

Closed waters: Within four hundred feet of the base of any dam and within a four hundred foot radius around the fish ladder entrance at Lyons Ferry Hatchery, within a two hundred foot radius upstream of the fish ladder exit above Lower Granite Dam, and within an area one thousand two hundred feet downstream from the base of the west lock gate

at Little Goose Dam on the south bank of the Snake River and one hundred feet out into the river from said river bank.

Snipe Lake (Grant County): March 1 through March 31 and September 1 through September 30 seasons.

Snohomish River (Snohomish County), including all channels, sloughs, and interconnected waterways, but excluding all tributaries: June 1 through March 31 season. Trout except Dolly Varden/Bull Trout: Minimum length fourteen inches. Legal to retain Dolly Varden/Bull Trout as part of trout daily limit, minimum length twenty inches.

Snoqualmie River (King County):

From mouth to the falls: June 1 through March 31 season, except waters within the Puget Power tunnel at the falls and within fifty feet of any point on Puget Power's lower Plant # 2 building (north bank) are closed waters. June 1 through November 30 selective fishery regulations, except fishing from a floating device equipped with a motor allowed. Fishing from any floating device prohibited November 1 through March 31 from the mouth of Tokul Creek downstream to the boat ramp at Plumb access, about one-quarter mile. Trout: Minimum length fourteen inches.

From Snoqualmie Falls, including the North and South Forks: Selective fishery regulations. Trout: Minimum length ten inches. Whitefish: Additional November 1 through last day in February season. Release all fish other than whitefish.

Snoqualmie Middle Fork from mouth to source including all tributaries: Selective fishery regulations. All species: Release all fish.

Snow Creek (Jefferson County), including all tributaries except Crocker Lake: Closed waters.

Sol Duc River (Clallam County): June 1 through April 30 season. November 1 through April 30, selective fishery regulations from the concrete pump station at the Soleduck Hatchery to the Highway 101 Bridge downstream from Snider Creek. Trout: Minimum length fourteen inches. December 1 through April 30, from mouth to the concrete pump station at the Soleduck Hatchery, not more than one wild steelhead per day. November 1 through April 30, from the concrete pump station at the Soleduck Hatchery to the Highway 101 Bridge downstream from Snider Creek, release wild steelhead.

Sooes River (Suez River) (Clallam County): June 1 through last day in February season. Trout: Minimum length fourteen inches.

Soos Creek (King County), from mouth to salmon hatchery rack: June 1 through August 31 season. Trout: Minimum length fourteen inches.

South Bend Mill Pond (Pacific County): Juveniles only.

South Prairie Creek (Pierce County), mouth to Page Creek: Closed waters.

Spada Lake (Reservoir) (Snohomish County): Last Saturday in April through October 31 season. Selective fishery regulations except fishing from a floating device equipped with an electric motor permitted. Trout: Minimum length twelve inches.

Spada Lake (Reservoir) tributaries (Snohomish County): Closed waters.

Spanaway Lake outlet downstream to the dam (approximately 800 feet) (Pierce County): Year around season.

Spearfish Lake (Klickitat County): Last Saturday in April through last day in February season.

Spectacle Lake (Kittitas County): Trout: Daily limit sixteen.

Spectacle Lake (Okanogan County): March 1 through July 31 season. All species: Release all fish except trout.

Spirit Lake (Skamania County): Closed waters.

Spokane River (Spokane County):

From SR 25 Bridge upstream to the Seven Mile Bridge, except Long Lake, formed by Long Lake Dam (see also Long Lake): Year around season except walleye. Trout: Daily limit five, no more than two over twenty inches in length. Walleye: Daily limit eight, no more than one over twenty inches in length. Release walleye sixteen inches to twenty inches in length, and April 1 through May 31 release all walleye.

From Seven Mile Bridge upstream to the Monroe Street Dam: Year around season. Selective fishery regulations. Trout: Daily limit one. Release wild trout.

From Monroe Street Dam upstream to Upriver Dam: Year around season.

From Upriver Dam upstream to the Idaho/Washington state line: Selective fishery regulations, except fishing from a floating device equipped with a motor permitted. Trout: Daily limit one, minimum length 12 inches.

Sportsman's Lake (San Juan County): Bass: Only bass less than twelve inches or over fifteen inches in length may be retained.

Sprague Lake (Adams/Lincoln counties):

Waters northeast of the lakeside edge of the reeds to Danekas Road: Closed waters: Inlet stream (Negro Creek), April 1 through June 15. Bass: Only bass less than twelve inches or over fifteen inches in length may be retained. Channel catfish: Daily limit five.

Waters southeast of the lakeside edge of the reeds to Danekas Road: July 1 through September 15 season. Bass: Only bass less than twelve inches or over fifteen inches in length may be retained. Channel catfish: Daily limit five.

Spring Creek (Klickitat County): Trout: Daily limit five.

Spring Lake (Columbia County): March 1 through October 31 season. Fishing from any floating device prohibited.

Spring Lake (King County): Bass: Only bass less than twelve inches or over fifteen inches in length may be retained.

Spring Lakes (Grant County): March 1 through July 31 season.

Squalicum Lake (Whatcom County): Fly fishing only. Fishing from a floating device equipped with a motor prohibited. Trout: Daily limit two.

Starvation Lake (Stevens County): Last Saturday in April through May 31 season. Additional June 1 through October 31 season. Selective fishery regulations. All species: Release all fish.

Steel Lake (King County): Last Saturday in April through October 31 season.

Stehekin River (Chelan County), from the mouth to Agnes Creek: July 1 through October 31 season. Selective fishery regulations. Trout: Minimum length fifteen inches. Additional March 1 through June 30 season. Selective fishery regulations. All species: Release all fish.

Stetattle Creek (Whatcom County), from its mouth to mouth of Bucket Creek (one and one-half miles upstream): Closed waters.

Stevens Creek (Grays Harbor County), mouth to Highway 101 Bridge: June 1 through last day in February season. Trout: Minimum length fourteen inches.

Stevens, Lake (Snohomish County): Chumming permitted. Bass: Daily limit one, minimum length eighteen inches.

Steves Lake (Mason County): Last Saturday in April through October 31 season.

Stillaguamish River (Snohomish County):

From mouth to Warm Beach-Stanwood Highway, including all sloughs: Year around season. Trout except Dolly Varden/Bull Trout: Minimum length fourteen inches. Legal to retain Dolly Varden/Bull Trout as part of trout daily limit, minimum length twenty inches.

From Warm Beach-Stanwood Highway to the forks, except from the barrier dam (downstream of I-5) downstream two hundred feet which is closed waters: June 1 through March 31 season. Trout except Dolly Varden/Bull Trout: Minimum length fourteen inches. Legal to retain Dolly Varden/Bull Trout as part of trout daily limit, minimum length twenty inches. Release wild steelhead May 1 through November 30.

Stillaguamish River, North Fork (Snohomish County), from mouth to Swede Heaven Bridge: Year around season. Fly fishing only April 16 through November 30. Fishing from any floating device prohibited upstream of the Highway 530 Bridge at mile post 28.8 (Cicero Bridge). Trout: Minimum length fourteen inches. Release wild steelhead March 1 through November 30.

Stillaguamish River, South Fork (Snohomish County):

From mouth to four hundred feet downstream of the outlet to fishway at Granite Falls: June 1 through last day in February season. Trout: Minimum length fourteen inches.

From four hundred feet below the outlet of the end of the fishway to Mt. Loop Highway bridge above Granite Falls: Closed waters.

From Mt. Loop Highway Bridge above Granite Falls to source: June 1 through April 1 through May 31, release all walleye November 30 season.

Storm Lake (Snohomish County): Last Saturday in April through October 31 season.

Stump Lake (Mason County): Last Saturday in April through October 31 season. Fishing from a floating device equipped with an internal combustion engine prohibited.

Suiattle River (Skagit County): Trout: Legal to retain Dolly Varden/Bull Trout as part of trout daily limit, minimum length twenty inches.

Sullivan Creek (Pend Oreille County), from Mill Pond upstream: Selective fishery regulations.

Sultan River (Snohomish County), from its mouth to a point four hundred feet downstream from the diversion dam at river mile 9.7: June 1 through last day in February season. Trout except Dolly Varden/Bull Trout: Minimum length fourteen inches. Legal to retain Dolly Varden/Bull Trout as part of trout daily limit, minimum length twenty inches.

Sultan River, North and South Forks (Snohomish County): Closed waters.

Summit Lake (Stevens County): Last Saturday in April through October 31 season.

Summit Lake (Thurston County): Last Saturday in April through October 31 season.

Sunday Creek (tributary to N.F. Snoqualmie River) (King County): Closed waters.

Sutherland Lake (Clallam County): Chumming permitted.

Swamp Creek (tributary to Sammamish River) (Snohomish/King counties): Closed waters.

Swan Lake (Ferry County): Last Saturday in April through October 31 season.

Swan's Mill Pond (Stossel Creek) (King County): June 1 through October 31 season.

Swauk Creek (Kittitas County), from mouth to Iron Creek: Selective fishery regulations.

Swift Reservoir (Skamania County): Last Saturday in April through October 31 season.

Swofford Pond (Lewis County): Fishing from a floating device equipped with an internal combustion motor prohibited. Bass: Daily and possession limit two. Only bass less than twelve inches or over eighteen inches in length may be retained. Channel catfish: Minimum length twenty inches.

Tahuya River (Mason County): Trout: Minimum length twelve inches. Release wild cutthroat.

From mouth to Bear Creek-Dewatto Road crossing, additional November 1 through last day in February season. Trout: Minimum length twelve inches. Release wild steelhead and wild cutthroat.

Taneum Creek (Kittitas County): Selective fishery regulations.

Tanwax Lake (Pierce County): Bass: Only bass less than twelve inches or over fifteen inches in length may be retained.

Tapps Lake (Reservoir) intake canal (Pierce County), to within four hundred feet of the screen at Dingle Basin: Year around season.

Tarboo Lake (Jefferson County): Last Saturday in April through October 31 season.

Tate Creek (tributary to N.F. Snoqualmie River) (King County): Closed waters.

Taylor River (tributary to the Middle Fork Snoqualmie) (King County): Selective fishery regulations. All species: Release all fish.

Teal Lake (Jefferson County): Last Saturday in April to October 31 season.

Tenas Lake (Mason County): Last Saturday in April through October 31 season.

Tennant Lake (Whatcom County): Fishing from any floating device prohibited from first Friday in October through January 15.

Terrell, Lake (Whatcom County): Fishing from any floating device prohibited from first Friday in October through January 15 except fishing from floating dock permitted. Bass: Only bass less than twelve inches or over fifteen inches in length may be retained.

Thomas Lake (Stevens County): Last Saturday in April through October 31 season.

Thornton Creek (tributary to Lake Washington) (King County): Closed waters.

Tibbetts Creek (tributary to Lake Sammamish) (King County): Closed waters.

Tieton River (Yakima County): Lawful to fish to base of Tieton (Rimrock) Dam. Trout: Daily limit five, no minimum length. Whitefish: Additional December 1 through March 31 season. Release all fish except whitefish.

Tieton River, North Fork (Yakima County), upstream from Rimrock Lake: Closed waters: Spillway channel. June 1 through August 15 season.

Tieton River, South Fork (Yakima County): From mouth to bridge on USFS Rd. 1070 (approximately 12.5 miles): Closed waters.

Tiger Lake (Kitsap/Mason counties): Last Saturday in April through October 31 season.

Tilton River (Lewis County), from mouth to West Fork: June 1 through March 31 season. Trout: Daily limit five, no more than one over twelve inches in length.

Tilton River, East, North, South and West Forks (Lewis County): Selective fishery regulations. Trout: Minimum length twelve inches.

Toad Lake (Whatcom County): Last Saturday in April through October 31 season.

Tokul Creek (King County):

From mouth to the posted cable boundary marker located approximately seven hundred feet upstream of the mouth: December 1 through March 31 season. Trout: Minimum length fourteen inches.

From the posted cable boundary marker located approximately seven hundred feet upstream of the mouth to the railroad trestle: Closed waters.

Tolt River (King County):

From mouth to the USGS trolley cable near the confluence of the North and South Forks: June 1 through last day in February season. June 1 through November 30, selective fishery regulations. Trout: Minimum length fourteen inches.

From the USGS trolley cable to the mouth of Yellow Creek on the North Fork, and to the dam on the South Fork: Closed waters.

From mouth of Yellow Creek upstream on North Fork: Trout: Selective fishery regulations and release all trout.

From dam upstream on South Fork: Selective fishery regulations. Trout: Minimum length ten inches.

Touchet River (Columbia/Walla Walla counties):

From mouth to confluence of north and south forks: June 1 through October 31 season. Trout: Daily limit five. Release wild steelhead. Additional season: November 1 through April 15. All species: Release all fish except steelhead and brown trout. Trout: Steelhead and brown trout minimum size twenty inches. Release wild steelhead.

From confluence of north and south forks upstream, including all tributaries: June 1 through October 31 season. Release all steelhead.

Toutle River (Cowlitz County):

From mouth to forks, and North Fork from the mouth to the posted deadline below the fish collection facility: June 1 through November 30 season. All species: Release all fish except steelhead. Trout: Minimum length twenty inches.

From the posted deadline below the fish collection facility upstream to the headwaters, including all tributaries, but excepting Castle and Coldwater Lakes: Closed waters.

Toutle River, South Fork (Cowlitz County), mouth to source: Closed waters: All tributaries. June 1 through November 30 season. All species: Release all fish except steelhead. Trout: Minimum length twenty inches. Mouth to 4100 Road Bridge: Additional December 1 through March 31 season. Selective fishery regulations. All species: Release all fish except steelhead. Trout: Release wild steelhead.

Tradition Lake (King County): Bass: Only bass less than twelve inches or over fifteen inches in length may be retained.

Trapper Lake (Chelan County): Trout: Daily limit two.

Trout Creek (tributary to Wind River) (Skamania County): Selective fishery regulations. Trout: Minimum length fourteen inches.

Trout Lake (Ferry County): Last Saturday in April through October 31 season.

Trout Lake (tributary to Big White Salmon River) (Klickitat County): June 1 through October 31 season.

Tucannon River (Columbia/Walla Walla counties): Closed waters: All tributaries. During all open periods release wild steelhead.

From the Highway 261 Bridge upstream to Turner Road Bridge: Trout: Daily limit five, no more than two of which may be steelhead. Additional season November 1 through April 15. All species: Release all fish except steelhead and whitefish.

From the Turner Road Bridge upstream to the Cummings Creek Bridge: Additional season November 1 through April 15. All species: Release all fish except steelhead and whitefish.

From the Cummings Creek Bridge upstream to the Deer Lake footbridge about 3/4 mile upstream of the Tucannon hatchery: Closed waters.

From the Deer Lake footbridge to the Panjab Creek Bridge: Selective fishery regulations. Trout: Legal to retain Dolly Varden/Bull Trout in the daily trout limit, minimum length twenty inches.

From the Panjab Creek Bridge upstream: Closed waters.

Tucannon River tributaries (Columbia/Walla Walla counties): Closed waters.

Tunnel Lake (Skamania County): Last Saturday in April through last day in February season.

Twin Lake (Jefferson County): Last Saturday in April through October 31 season.

Twin Lakes (Chelan County) and tributaries and outlet stream to junction with the Napeequa River: Closed waters.

Twisp River (Okanogan County), from mouth to War Creek: Selective fishery regulations. Trout: Minimum length twelve inches.

Tye River (King County): June 1 through October 31 season: Selective fishery regulations. Trout: Minimum length fourteen inches. Whitefish: Additional November 1 through last day in February season. Release all fish other than whitefish.

U Lake (Mason County): Last Saturday in April through October 31 season.

Uncle John Creek (Mason County): Closed waters.

Union River (Mason County):

From mouth to watershed boundary: Trout: Minimum length fourteen inches.

From mouth to lower bridge on the Old Belfair Highway, additional November 1 through last day in February season. Trout: Minimum length fourteen inches. Release wild steelhead.

From watershed boundary to source, including all tributaries: Closed waters.

Upper Wheeler Reservoir (Chelan County): Closed waters.

Valley Creek (Clallam County): Last Saturday in April through October 31 season. Juveniles only.

Vance Creek (Mason County): Trout: Minimum length fourteen inches.

Vance Creek/Elma Ponds (Grays Harbor County): Last Saturday in April through October 31 season.

Vancouver Lake and all other waters west of Burlington-Northern Railroad from Columbia River drawbridge near Vancouver downstream to Lewis River (Clark County): Trout: Daily limit two, minimum length twelve inches.

Vanes Lake (Pend Oreille County): Last Saturday in April through October 31 season.

Vic Meyers (Rainbow) Lake (Grant County): Last Saturday in April through September 30 season.

Voight's Creek (Pierce County): From mouth to Highway 162 Bridge: Closed waters.

Waddell Creek (Thurston County): Selective fishery regulations. Trout: Minimum length twelve inches.

Wagners Lake (Snohomish County): Last Saturday in April through October 31 season.

Waitts Lake (Stevens County): Last Saturday in April through last day in February season.

Walker Lake (King County): Last Saturday in April through October 31 season.

Wallace River (Snohomish County):

From its mouth to the first Burlington-Northern Railroad bridge downstream of the Highway 2 Bridge: June 1 through September 1 season. Closed waters: From the first Burlington-Northern Railroad bridge (below Highway 2) to a point two hundred feet upstream of the water intake of the salmon hatchery. Trout except Dolly Varden/Bull Trout: Minimum length fourteen inches. Legal to retain Dolly Varden/Bull Trout as part of trout daily limit, minimum length twenty inches.

From the mouth to mouth of Olney Creek: Additional November 1 through last day in February season. Fishing from any floating device prohibited. Trout except Dolly Varden/Bull Trout: Minimum length fourteen inches. Legal to retain Dolly Varden/Bull Trout as part of trout daily limit, minimum length twenty inches

Walla Walla River (Walla Walla County): Wild steelhead release.

From mouth to the Touchet River: Year around season. Trout: Release trout April 1 through May 31.

From the Touchet River upstream to state line: June 1 through October 31. Additional season November 1 through April 15. All species: Release all fish except steelhead.

Walupt Lake (Lewis County): Closed waters: All inlet streams. Last Saturday in April through October 31 season. Selective fishery regulations except fishing from devices equipped with motors permitted. Trout: Minimum length ten inches.

Wannacut Lake (Okanogan County): Last Saturday in April through October 31 season.

Wapato Lake (Chelan County): Last Saturday in April through October 31 season. From August 1 through October 31: Selective fishery regulations except fishing from a device equipped with an internal combustion engine permitted. Trout: Release all trout.

Wapato Lake (Pierce County): Juveniles only.

Ward Lake (Ferry County): Last Saturday in April through October 31 season.

Ward Lake (Thurston County): Last Saturday in April through October 31 season.

Warden Lake and Warden Lake, South (Grant County): March 1 through July 31 season.

Washburn Island Pond (Okanogan County): April 1 through September 30 season. Bass: Only bass less than 12 inches or over fifteen inches in length may be retained. Fishing from a floating device equipped with an internal combustion motor prohibited.

Washington, Lake, including that portion of the Sammamish River from the 68th Avenue N.E. Bridge downstream (King County): Fishing from floating device prohibited one hundred yards either side of the floating bridges. Chumming permitted. Trout: December 1 through last day in February: Release all steelhead and rainbow trout over twenty inches in length. March 1 through June 30: Minimum length twelve inches, and release all steelhead and rainbow trout over twenty inches in length. Kokanee/sockeye under fifteen inches are kokanee while those fifteen inches and over are sockeye salmon.

Washington, Lake, Ship Canal (King County) (waters east of a north-south line 400 feet west of the fish ladder at the Chittenden Locks and west of a north-south line at the eastern ends of the concrete abutments east of the Montlake Bridge): West of Fremont Bridge: Fishing from floating device prohibited. East of Fremont Bridge: Chumming permitted.

From west boundary to a north-south line 400 feet east of the eastern end of the northern wing wall of Chittenden Locks: Closed waters.

From 400 feet east of the eastern end of the northern wing wall of Chittenden Locks to the east boundary: Open year around. Trout: December 1 through last day in February daily limit five, no minimum length. Release steelhead and rainbow trout over twenty inches in length. March 1 through June 30, daily limit five, minimum length twelve inches. Release steelhead and rainbow trout over twenty inches in length. July 1 through November 30, daily limit five, no minimum length. Release wild steelhead. Kokanee/sockeye less than fifteen inches in length are kokanee and fifteen inches and over in length are sockeye salmon.

Washougal River (Clark County):

From mouth to bridge at Salmon Falls: June 1 through March 15 season. Trout: Minimum length twelve inches. Release wild steelhead and wild cutthroat.

From mouth to Mt. Norway Bridge: Additional April 16 through May 31 season. All species: Release all fish except steelhead. Trout: Release wild steelhead.

From bridge at Salmon Falls to its source: Closed waters.

Washougal River, West (North) Fork (Clark/Skamania counties):

From mouth to the water intake at the department hatchery: Closed waters.

From intake at department hatchery to source: June 1 through March 15 season. Trout: Minimum length twelve inches. Release wild steelhead and wild cutthroat.

Watson Lake (Columbia County): March 1 through October 31 season. Fishing from any floating device prohibited.

Wenas Lake (Yakima County): Trout: Daily limit five, of which not more than two may be brown trout.

Wenatchee Lake (Chelan County): Chumming permitted. Trout except kokanee: Daily limit two, minimum length twelve inches. Kokanee not counted in daily trout limit. Kokanee daily limit sixteen. Kokanee/sockeye under sixteen inches will be considered kokanee while those sixteen inches and over will be considered sockeye salmon.

Wenatchee River (Chelan County):

From mouth to Icicle River Road Bridge at Leavenworth: June 1 through March 31 season. Selective fishery regulations June 1 through November 30. Trout: Minimum length twelve inches. Release wild steelhead.

From Icicle River Road Bridge at Leavenworth to Lake Wenatchee: June 1 through November 30 season. Selective fishery regulations. Trout: Minimum length twelve inches, maximum length twenty inches.

West Twin River (Clallam County): June 1 through last day in February season. Trout: Minimum length fourteen inches. Release wild steelhead.

Whatcom Creek (Whatcom County):

From mouth to stone bridge at Whatcom Falls Park: June 1 through last day in February season. Trout: Minimum length fourteen inches.

From stone bridge at Whatcom Falls Park upstream to Lake Whatcom: Last Saturday in April through October 31 season. Juveniles only. Trout: No minimum length.

Whatcom, Lake (Whatcom County): Last Saturday in April through October 31 season, except those waters between the Electric Avenue Bridge and the outlet dam are closed waters: Chumming permitted. Trout: No more than one over fourteen inches in length.

Whatcom, Lake, tributaries (Whatcom County): Closed waters.

White River (Chelan County), from mouth of Napeequa River upstream to White River Falls: Selective fishery regulations.

White (Stuck) River (Pierce County):

From mouth to R Street Bridge in Auburn: June 1 through September 30: Closed waters. October 1 through last day in February season: Trout: Minimum length fourteen inches. Release wild steelhead.

From R Street Bridge to Highway 410 Bridge at Buckley, except waters of Puget Power canal, including the screen bypass channel, above the screen at Dingle Basin are closed waters: October 1 through October 31 season only. Trout: 14 inch minimum size.

From the Weyerhaeuser 6000 Road Bridge (Bridge Camp) to its source: Whitefish: Additional November 1 through January 31 season. Release all fish except whitefish.

Whitechuck River (Snohomish County): Trout: Legal to retain Dolly Varden/Bull Trout as part of trout daily limit, minimum length twenty inches.

White Salmon River (Klickitat/Skamania counties):

From mouth to powerhouse: Year around season. Trout: Minimum length fourteen inches. Release wild steelhead.

From powerhouse to within four hundred feet of Northwestern Dam: November 16 to June 15 season. Trout: Minimum length fourteen inches. Release wild steelhead.

From gas pipeline crossing above Northwestern Lake to Gilmer Creek: Selective fishery regulations. Trout: Minimum length twelve inches.

Whitestone Lake (Okanogan County): Bass: Only bass less than twelve inches or over fifteen inches in length may be retained.

Wide Hollow Creek (Yakima County): Trout: Daily limit five, no minimum length.

Widgeon Lake (Grant County): March 1 through March 31 and September 1 through September 30 seasons.

Wildberry Lake (Mason County): Last Saturday in April through October 31 season.

Wildcat Lake (Kitsap County): Last Saturday in April through October 31 season.

Wilderness Lake (King County): Last Saturday in April through October 31 season.

Willame Lake (Lewis County): Last Saturday in April through October 31 season. Selective fishery regulations. Trout: Daily limit two, minimum length fifteen inches.

Willapa River (Pacific County), including all forks: Closed waters: Four hundred feet below falls on South Fork to falls.

From department boat launch in South Bend upstream: Trout: Minimum length fourteen inches.

From department boat launch in South Bend to Forks Creek: Additional November 1 through March 31 season. Fishing from any floating device prohibited from the bridge on Willapa Road (Camp One Bridge) to Forks Creek. Trout: Minimum length fourteen inches.

South Fork: Additional November 1 through last day of February season. Trout: Minimum length fourteen inches.

Williams Creek (Pacific County): June 1 through last day in February season. Trout: Minimum length fourteen inches.

Williams Lake (Spokane County): Last Saturday in April through September 30 season.

Williams Lake (Stevens County): December 1 through March 31 season.

Willow Lake (Whatcom County): July 1 through October 31 season. Selective fishery regulations. Trout: Daily and possession limit one, minimum length eighteen inches.

Wilson Creek (two branches within Ellensburg city limits) (Kittitas County): Juveniles only. Trout: Daily limit five, no minimum length.

Wind River (Skamania County):

Mouth to four hundred feet below Shipherd Falls: June 1 through March 15 season. Trout: Minimum length fourteen inches. Release wild steelhead.

From four hundred feet below to one hundred feet above Shipherd Falls fish ladder: Closed waters.

From one hundred feet above Shipherd Falls to source: June 1 through November 30 except closed from an upper boundary sign along Carson National Fish Hatchery grounds to a lower boundary marker 800 yards downstream June 1 through August 31. Trout: Release wild steelhead.

Tyee Springs: Closed waters.

From one hundred feet above Shipherd Falls fish ladder to source, including all tributaries: June 1 through November 30 season. Trout: Minimum length fourteen inches.

Winston Creek (tributary to Cowlitz River) (Lewis County): Selective fishery regulations. Trout: Minimum length ten inches.

Wiser Lake (Whatcom County): Bass: Only bass less than twelve inches or over fifteen inches in length may be retained.

Wishkah River (Grays Harbor County), including all forks: Closed waters: East and West forks, and mainstem from four hundred feet below outlet of dam at Wishkah Rearing Ponds (formerly Mayr Bros.) to outlet. Trout: Minimum length twelve inches. Release wild cutthroat.

From the mouth to Cedar Creek: Additional November 1 through March 31 season. Trout: Minimum length twelve inches. Release wild cutthroat.

Wood Lake (Mason County): Last Saturday in April through October 31 season.

Woodland Creek (Thurston County): Trout: Minimum length fourteen inches.

Wooten Lake: Last Saturday in April through October 31 season.

Wynoochee River (Grays Harbor County): Trout: Minimum length twelve inches. Release wild cutthroat.

From mouth to 7400 line bridge above mouth of Schafer Creek: Additional November 1 through March 31 season. Trout: Minimum length twelve inches. Release wild cutthroat.

Wynoochee Reservoir (Grays Harbor County): June 1 through October 31 season. Trout: Daily limit two, minimum length twelve inches.

Yakima River (Yakima County): Release all steelhead in mainstem and tributaries.

From mouth to four hundred feet below Roza Dam: Year around season. Trout: Minimum length twelve inches and maximum length twenty inches. Release all trout April 1 through May 31.

From Roza Dam to four hundred feet below Easton Dam: Year around season. Fishing from floating devices equipped with motors allowed only from the U.S. Bureau of Reclamation restricted area signs at Roza Dam upstream to the boat launch ramp on the Roza Access Area (approximately one-half mile). Trout: Selective fishery regulations, and release all trout. Whitefish: Bait and single-pointed, barbed hooks may be used for whitefish December 1 through last day in February.

From Lake Easton to Keechelus Dam: Selective fishery regulations.

Yakima Sportsmen's Park Ponds (Yakima County): Juveniles only.

Yale Reservoir (Cowlitz County): Trout: Kokanee not counted in daily trout limit. Kokanee daily limit sixteen.

Yellowjacket Creek (tributary to Cispus River) (Lewis County): Selective fishery regulations. Trout: Minimum length twelve inches.

Yellowjacket Ponds (Lewis County): Last Saturday in April through last day in February season. Trout: No more than one over twelve inches in length.

Yokum Lake (Pend Oreille County): Last Saturday in April through October 31 season.

(3) Specific marine water exceptions to state-wide rules:

(a) Marine water area codes and boundaries:

(i) Area 1 (Ilwaco): West of the Megler-Astoria Bridge - north to Leadbetter Point. Effective January 1, 1989, Area 1 includes only waters west of the Buoy 10 Line and north to Leadbetter Point.

(ii) Area 2 (Westport-Ocean Shores): From Leadbetter Point north to the Queets River. Area 2 excludes waters of Willapa Bay and Grays Harbor.

(iii) Area 2-1: Willapa Bay east of a line from Leadbetter Point to Willapa Channel Marker 8 (Buoy 8) then to the westerly most landfall on Cape Shoalwater.

(iv) Area 2-2: Grays Harbor east of a line from the outermost end of the north jetty to the outermost exposed end of the south jetty.

(v) Area 3 (La Push): From the Queets River north to Cape Alava.

(vi) Area 4 (Neah Bay): From Cape Alava north and inside Juan de Fuca Strait to the Sekiu River.

(vii) Area 5 (Sekiu and Pillar Point): From mouth of Sekiu River east to Low Point, mouth of the Lyre River.

(viii) Area 6 (East Juan de Fuca Strait): From Low Point east to the Partridge Point-Point Wilson line north to the line from Trial Island (near Victoria, B.C.) - Navigation Buoy BW "R" - Smith Island - the most northeasterly of the Lawson Reef lighted buoys (RB1 QK Fl Bell) - Northwest Island - the Initiative 77 marker on Fidalgo Island.

(ix) Area 7 (San Juan Islands): All marine waters north of the line described under Area 6 to the United States-Canadian boundary.

(x) Area 8 (Deception Pass, Hope and Camano Islands): Line projected from West Point on Whidbey Island to Reservation Head on Fidalgo Island east through Deception Pass, including all waters east of Whidbey Island to the Possession Point - Shipwreck Line.

(xi) Area 8-1 (Deception Pass and Hope Island): East of a line projected from West Point on Whidbey Island to Reservation Head on Fidalgo Island, south of the Burlington Northern Railroad Bridge at the north end of Swinomish Slough, north of the Highway 532 Bridge between Camano Island and the mainland, and westerly of a line from the East Point Light on Whidbey Island to the Saratoga Pass Light # 2 on Camano Island (Fl red 4 sec.).

(xii) Area 8-2 (Port Susan and Port Gardner): East of a line from the East Point Light on Whidbey Island to the Saratoga Pass Light # 2 on Camano Island (Fl red 4 sec.) and north of a line from the south tip of Possession Point 110 degrees true to a shipwreck on the opposite shore.

(xiii) Area 9 (Admiralty Inlet): All waters inside and south of the Partridge Point-Point Wilson Line and a line projected from the southerly tip of Possession Point 110 degrees true to a shipwreck on the opposite shore and northerly of the Hood Canal Bridge and the Apple Cove Point-Edwards Point Line.

(xiv) Area 10 (Seattle-Bremerton): From the Apple Cove Point-Edwards Point Line to a line projected true east-west through the northern tip of Vashon Island.

(xv) Area 11 (Tacoma-Vashon Island): From the northern tip of Vashon Island to the Tacoma Narrows Bridge.

(xvi) Area 12 (Hood Canal): All contiguous waters south of the Hood Canal Bridge and adjacent waters north of the Hood Canal Bridge when fishing from the pontoon beneath the bridge.

(xvii) Area 13 (South Puget Sound): All contiguous waters south of the Tacoma Narrows Bridge.

(b) Marine waters regulations: These regulations apply to all marine waters contained within the boundaries of Washington state, within Puget Sound, Hood Canal, the Strait of Juan de Fuca, the San Juan Islands, the Strait of Georgia, and the Pacific Ocean, including estuaries (river mouths) from salt water upstream to a line between the outermost headlands measured at the highest high tide (usually the debris line furthest inshore on surrounding beaches), unless otherwise described under area regulations (see individual areas, below):

(i) Fishing hours: Twenty-four hours per day year around, except those waters of Area 10 west of the Lake Washington Ship Canal to a north-south line 175 feet west

of the Burlington-Northern Railroad Bridge are closed waters.

(ii) License requirements: A valid current Washington state department of fish and wildlife game fish license, and, if appropriate, a steelhead license, is required to fish for game fish including steelhead in marine waters. All steelhead taken from marine areas shall be entered on the steelhead catch record card using the words Marine Area and followed by the appropriate marine area code number.

(iii) Gear restrictions: Angling gear only, and in those waters of Area 10 downstream of the First Avenue South Bridge to an east-west line through southwest Hanford Street on Harbor Island and parallel to southwest Spokane Street where it crosses Harbor Island, nonbuoyant lure restriction July 1 through November 30. In all areas, underwater spearfishing, spearing, gaffing, clubbing, netting, or trapping game fish is unlawful.

(iv) Trout: Daily limit two fish, minimum length fourteen inches, except release Dolly Varden/Bull Trout and wild steelhead in all areas, release wild cutthroat in Marine Areas 12 and 13, and release all trout November 1 through May 31 in Chambers Bay and that portion of Marine Area 13 inside a line from Gordan Point to the dock at Pioneer gravel pit (second gravel pit approximately 1.2 miles north of Chambers Bay).

WSR 97-18-040

PERMANENT RULES

DEPARTMENT OF AGRICULTURE

[Filed August 27, 1997, 4:05 p.m.]

Date of Adoption: August 18, 1997.

Purpose: Repeal WAC 16-650-001 Weights and measures—Absorbent tissues; chapter 16-654 WAC, Weights and measures—Fluid dairy products; chapter 16-660 WAC, Weights and measures—Solid wood fuel; chapter 16-666 WAC, Weights and measures—Packaging and labeling regulations; chapter 16-670 WAC, Weights and measures—Sealing, marking, retesting devices.

Citation of Existing Rules Affected by this Order: Repealing WAC 16-650-001, 16-654-030, 16-654-040, 16-654-050, 16-654-060, 16-660-001, 16-660-010, 16-666-002, 16-666-003, 16-666-030, 16-666-040, 16-666-050, 16-666-060, 16-666-070, 16-666-080, 16-666-090, 16-666-100, 16-666-110, 16-666-120, 16-666-130, 16-670-001, and 16-670-010.

Adopted under preproposal statement of inquiry filed as WSR 97-14-049 on June 27, 1997.

Number of Sections Adopted in Order to Comply with Federal Statute: New 0, amended 0, repealed 0; Federal Rules or Standards: New 0, amended 0, repealed 0; or Recently Enacted State Statutes: New 0, amended 0, repealed 0.

Number of Sections Adopted at Request of a Nongovernmental Entity: New 0, amended 0, repealed 0.

Number of Sections Adopted on the Agency's own Initiative: New 0, amended 0, repealed 0.

Number of Sections Adopted in Order to Clarify, Streamline, or Reform Agency Procedures: New 0, amended 0, repealed 22.

Number of Sections Adopted using Negotiated Rule Making: New 0, amended 0, repealed 0; Pilot Rule Making:

New 0, amended 0, repealed 0; or Other Alternative Rule Making: New 0, amended 0, repealed 0.

Effective Date of Rule: Thirty-one days after filing.

August 18, 1997

Jim Jesernig

Director

WSR 97-18-041

PERMANENT RULES

DEPARTMENT OF AGRICULTURE

[Filed August 27, 1997, 4:06 p.m.]

Date of Adoption: August 18, 1997.

Purpose: Repeal WAC 16-105-001, 16-105-010, 16-105-020, 16-105-030, packaging of bacon, because federal rules have been put into place that govern the packaging of bacon.

Citation of Existing Rules Affected by this Order: Repealing WAC 16-105-001, 16-105-010, 16-105-020, 16-105-030, packaging of bacon.

Adopted under preproposal statement of inquiry filed as WSR 97-14-074 on June 30, 1997.

Number of Sections Adopted in Order to Comply with Federal Statute: New 0, amended 0, repealed 0; Federal Rules or Standards: New 0, amended 0, repealed 0; or Recently Enacted State Statutes: New 0, amended 0, repealed 0.

Number of Sections Adopted at Request of a Nongovernmental Entity: New 0, amended 0, repealed 0.

Number of Sections Adopted on the Agency's own Initiative: New 0, amended 0, repealed 0.

Number of Sections Adopted in Order to Clarify, Streamline, or Reform Agency Procedures: New 0, amended 0, repealed 4.

Number of Sections Adopted using Negotiated Rule Making: New 0, amended 0, repealed 0; Pilot Rule Making: New 0, amended 0, repealed 0; or Other Alternative Rule Making: New 0, amended 0, repealed 0.

Effective Date of Rule: Thirty-one days after filing.

August 18, 1997

Jim Jesernig

Director

WSR 97-18-042

PERMANENT RULES

DEPARTMENT OF AGRICULTURE

[Filed August 27, 1997, 4:09 p.m.]

Date of Adoption: August 18, 1997.

Purpose: Chapter 16-34 WAC, Dead animals, packing house offal, meat market scraps—Transportation and disposal, is being repealed, as the statute that it is promulgated under, chapter 16.68 RCW, is sufficient.

Chapter 16-46 WAC, Domestic and imported animal semen, is currently managed under industry quality control standards, making this chapter redundant and is, therefore, being repealed.

Chapter 16-50 WAC, Importation of mink, is being repealed because it is duplicative. Provisions of mink are covered by chapter 16-54 WAC, Animal importation.

Citation of Existing Rules Affected by this Order: Repealing WAC 16-34-001, 16-34-010, 16-34-020, 16-34-

030, 16-34-040, dead animals, packing house offal, meat market scraps—Transportation and disposal; WAC 16-46-001, 16-46-005, 16-46-020, 16-46-030, 16-46-035, 16-46-040, 16-46-045, 16-46-070, domestic and imported animal semen; and WAC 16-50-001, 16-50-010, 16-50-020, importation of mink.

Adopted under preproposal statement of inquiry filed as WSR 97-14-048 on June 27, 1997.

Number of Sections Adopted in Order to Comply with Federal Statute: New 0, amended 0, repealed 0; Federal Rules or Standards: New 0, amended 0, repealed 0; or Recently Enacted State Statutes: New 0, amended 0, repealed 0.

Number of Sections Adopted at Request of a Nongovernmental Entity: New 0, amended 0, repealed 0.

Number of Sections Adopted on the Agency's own Initiative: New 0, amended 0, repealed 0.

Number of Sections Adopted in Order to Clarify, Streamline, or Reform Agency Procedures: New 0, amended 0, repealed 16.

Number of Sections Adopted using Negotiated Rule Making: New 0, amended 0, repealed 0; Pilot Rule Making: New 0, amended 0, repealed 0; or Other Alternative Rule Making: New 0, amended 0, repealed 0.

Effective Date of Rule: Thirty-one days after filing.
August 18, 1997
Jim Jesernig
Director

WSR 97-18-043

PERMANENT RULES

DEPARTMENT OF ECOLOGY

[Order 97-20—Filed August 28, 1997, 2:30 p.m.]

Date of Adoption: August 15, 1997.

Purpose: To repeal chapter 173-315 WAC, Model toxics account tax—Local toxics control account—Interim financial assistance program, because other rules of the agency now govern the same activity as the rule.

Citation of Existing Rules Affected by this Order: Repealing chapter 173-315 WAC.

Adopted under preproposal statement of inquiry filed as WSR 97-13-039 on June 13, 1997.

Number of Sections Adopted in Order to Comply with Federal Statute: New 0, amended 0, repealed 0; Federal Rules or Standards: New 0, amended 0, repealed 0; or Recently Enacted State Statutes: New 0, amended 0, repealed 0.

Number of Sections Adopted at Request of a Nongovernmental Entity: New 0, amended 0, repealed 0.

Number of Sections Adopted on the Agency's own Initiative: New 0, amended 0, repealed 0.

Number of Sections Adopted in Order to Clarify, Streamline, or Reform Agency Procedures: New 0, amended 0, repealed 7.

Number of Sections Adopted using Negotiated Rule Making: New 0, amended 0, repealed 0; Pilot Rule Making: New 0, amended 0, repealed 0; or Other Alternative Rule Making: New 0, amended 0, repealed 0.

Effective Date of Rule: Thirty-one days after filing.
August 22, 1997
Tom Fitzsimmons
Director

WSR 97-18-044

PERMANENT RULES

DEPARTMENT OF ECOLOGY

[Order 97-22—Filed August 28, 1997, 2:48 p.m.]

Date of Adoption: August 15, 1997.

Purpose: To repeal chapter 173-318 WAC, Phase one—Waste reduction and recycling grants, because other rules of the agency now govern the same activity as the rule.

Citation of Existing Rules Affected by this Order: Repealing chapter 173-318 WAC.

Adopted under preproposal statement of inquiry filed as WSR 97-13-038 on June 13, 1997.

Number of Sections Adopted in Order to Comply with Federal Statute: New 0, amended 0, repealed 0; Federal Rules or Standards: New 0, amended 0, repealed 0; or Recently Enacted State Statutes: New 0, amended 0, repealed 0.

Number of Sections Adopted at Request of a Nongovernmental Entity: New 0, amended 0, repealed 0.

Number of Sections Adopted on the Agency's own Initiative: New 0, amended 0, repealed 0.

Number of Sections Adopted in Order to Clarify, Streamline, or Reform Agency Procedures: New 0, amended 0, repealed 8.

Number of Sections Adopted using Negotiated Rule Making: New 0, amended 0, repealed 0; Pilot Rule Making: New 0, amended 0, repealed 0; or Other Alternative Rule Making: New 0, amended 0, repealed 0.

Effective Date of Rule: Thirty-one days after filing.
August 22, 1997
Tom Fitzsimmons
Director

WSR 97-18-045

PERMANENT RULES

DEPARTMENT OF ECOLOGY

[Order 97-23—Filed August 28, 1997, 2:55 p.m.]

Date of Adoption: August 15, 1997.

Purpose: To repeal chapter 173-319 WAC, Comprehensive waste reduction/recycling grants program, because other rules of the agency now govern the same activity as the rule.

Citation of Existing Rules Affected by this Order: Repealing chapter 173-319 WAC.

Adopted under preproposal statement of inquiry filed as WSR 97-13-037 on June 13, 1997.

Number of Sections Adopted in Order to Comply with Federal Statute: New 0, amended 0, repealed 0; Federal Rules or Standards: New 0, amended 0, repealed 0; or Recently Enacted State Statutes: New 0, amended 0, repealed 0.

Number of Sections Adopted at Request of a Nongovernmental Entity: New 0, amended 0, repealed 0.

Number of Sections Adopted on the Agency's own Initiative: New 0, amended 0, repealed 0.

Number of Sections Adopted in Order to Clarify, Streamline, or Reform Agency Procedures: New 0, amended 0, repealed 6.

Number of Sections Adopted using Negotiated Rule Making: New 0, amended 0, repealed 0; Pilot Rule Making: New 0, amended 0, repealed 0; or Other Alternative Rule Making: New 0, amended 0, repealed 0.

Effective Date of Rule: Thirty-one days after filing.
August 22, 1997
Tom Fitzsimmons
Director

WSR 97-18-046
PERMANENT RULES
DEPARTMENT OF ECOLOGY

[Order 97-18—Filed August 28, 1997, 2:57 p.m.]

Date of Adoption: August 15, 1997.

Purpose: To repeal chapter 173-309 WAC, Hazardous Waste Cleanup Act—Local toxics control account—Interim financial assistance program, because other rules of the agency now govern the same activity as the rule.

Citation of Existing Rules Affected by this Order: Repealing chapter 173-309 WAC.

Adopted under preproposal statement of inquiry filed as WSR 97-13-041 on June 13, 1997.

Number of Sections Adopted in Order to Comply with Federal Statute: New 0, amended 0, repealed 0; Federal Rules or Standards: New 0, amended 0, repealed 0; or Recently Enacted State Statutes: New 0, amended 0, repealed 0.

Number of Sections Adopted at Request of a Nongovernmental Entity: New 0, amended 0, repealed 0.

Number of Sections Adopted on the Agency's own Initiative: New 0, amended 0, repealed 0.

Number of Sections Adopted in Order to Clarify, Streamline, or Reform Agency Procedures: New 0, amended 0, repealed 9.

Number of Sections Adopted using Negotiated Rule Making: New 0, amended 0, repealed 0; Pilot Rule Making: New 0, amended 0, repealed 0; or Other Alternative Rule Making: New 0, amended 0, repealed 0.

Effective Date of Rule: Thirty-one days after filing.
August 22, 1997
Tom Fitzsimmons
Director

WSR 97-18-047
PERMANENT RULES
DEPARTMENT OF ECOLOGY

[Order 97-17—Filed August 28, 1997, 3:01 p.m.]

Date of Adoption: August 15, 1997.

Purpose: To repeal chapter 173-32 WAC, Allocation of financial aid to counties and cities to assist in comprehensive planning for solid waste management, because other rules of the agency now govern the same activity as the rule.

Citation of Existing Rules Affected by this Order: Repealing chapter 173-32 WAC.

Adopted under preproposal statement of inquiry filed as WSR 97-13-042 on June 13, 1997.

Number of Sections Adopted in Order to Comply with Federal Statute: New 0, amended 0, repealed 0; Federal Rules or Standards: New 0, amended 0, repealed 0; or Recently Enacted State Statutes: New 0, amended 0, repealed 0.

Number of Sections Adopted at Request of a Nongovernmental Entity: New 0, amended 0, repealed 0.

Number of Sections Adopted on the Agency's own Initiative: New 0, amended 0, repealed 0.

Number of Sections Adopted in Order to Clarify, Streamline, or Reform Agency Procedures: New 0, amended 0, repealed 4.

Number of Sections Adopted using Negotiated Rule Making: New 0, amended 0, repealed 0; Pilot Rule Making: New 0, amended 0, repealed 0; or Other Alternative Rule Making: New 0, amended 0, repealed 0.

Effective Date of Rule: Thirty-one days after filing.
August 22, 1997
Tom Fitzsimmons
Director

WSR 97-18-048
PERMANENT RULES
DEPARTMENT OF ECOLOGY

[Order 97-19—Filed August 28, 1997, 3:04 p.m.]

Date of Adoption: August 15, 1997.

Purpose: To repeal chapter 173-311 WAC, Moderate risk waste grants, because other rules of the agency now govern the same activity as the rule.

Citation of Existing Rules Affected by this Order: Repealing chapter 173-311 WAC.

Adopted under preproposal statement of inquiry filed as WSR 97-13-040 on June 13, 1997.

Number of Sections Adopted in Order to Comply with Federal Statute: New 0, amended 0, repealed 0; Federal Rules or Standards: New 0, amended 0, repealed 0; or Recently Enacted State Statutes: New 0, amended 0, repealed 0.

Number of Sections Adopted at Request of a Nongovernmental Entity: New 0, amended 0, repealed 0.

Number of Sections Adopted on the Agency's own Initiative: New 0, amended 0, repealed 0.

Number of Sections Adopted in Order to Clarify, Streamline, or Reform Agency Procedures: New 0, amended 0, repealed 5.

Number of Sections Adopted using Negotiated Rule Making: New 0, amended 0, repealed 0; Pilot Rule Making: New 0, amended 0, repealed 0; or Other Alternative Rule Making: New 0, amended 0, repealed 0.

Effective Date of Rule: Thirty-one days after filing.
August 22, 1997
Tom Fitzsimmons
Director

WSR 97-18-052
PERMANENT RULES
DEPARTMENT OF
SOCIAL AND HEALTH SERVICES

(Management Services Administration)

(Public Assistance)

(Institutions)

[Filed August 28, 1997, 4:35 p.m.]

Purpose: To repeal chapter 275-60 WAC and WAC 388-15-190 because they are obsolete. To repeal WAC 388-15-192 because it duplicates other WAC.

Citation of Existing Rules Affected by this Order: Repealing chapter 275-60 WAC, WAC 388-15-190 and 388-15-192.

Statutory Authority for Adoption: RCW 74.08.090, and section 209, chapter 409, Laws of 1997.

Other Authority: Section 209, chapter 409, Laws of 1997.

Adopted under preproposal statement of inquiry filed as WSR 97-14-071 on June 30, 1997.

Number of Sections Adopted in Order to Comply with Federal Statute: New 0, amended 0, repealed 0; Federal Rules or Standards: New 0, amended 0, repealed 0; or Recently Enacted State Statutes: New 0, amended 0, repealed 0.

Number of Sections Adopted at Request of a Nongovernmental Entity: New 0, amended 0, repealed 0.

Number of Sections Adopted on the Agency's own Initiative: New 0, amended 0, repealed 15.

Number of Sections Adopted in Order to Clarify, Streamline, or Reform Agency Procedures: New 0, amended 0, repealed 15.

Number of Sections Adopted using Negotiated Rule Making: New 0, amended 0, repealed 0; Pilot Rule Making: New 0, amended 0, repealed 0; or Other Alternative Rule Making: New 0, amended 0, repealed 0.

Effective Date of Rule: Thirty-one days after filing.

August 28, 1997

Merry A. Kogut, Manager
Rules and Policies Assistance Unit

REPEALER

The following chapter of the Washington Administrative Code is repealed:

Chapter 275-60 WAC, Workshops in institutions of the mental health division

REPEALER

The following sections of the Washington Administrative Code are repealed:

WAC 388-15-190, Day care for the aged—Age 60 and over.
WAC 388-15-192, Long-term care services—Estate recovery procedures.

**WSR 97-18-056
PERMANENT RULES
UTILITIES AND TRANSPORTATION
COMMISSION**

[General Order No. R-442, Docket No. UT 960942—Filed August 29, 1997, 3:37 p.m.]

In the matter of adopting WAC 480-120-139 and amending WAC 480-120-042 relating to changes in local exchange and intrastate toll services and directory services.

STATUTORY OR OTHER AUTHORITY: The Washington Utilities and Transportation Commission takes this action under Notice No. WSR 97-11-072, filed with the code reviser on May 21, 1997. The commission brings this proceeding pursuant to RCW 80.01.040.

STATEMENT OF COMPLIANCE: This proceeding complies with the Open Public Meetings Act (chapter 42.30 RCW), the Administrative Procedure Act (chapter 34.05 RCW), the State Register Act (chapter 34.08 RCW), the State Environmental Policy Act of 1971 (chapter 34.21C RCW), and the Regulatory Fairness Act (chapter 19.85 RCW).

DATE OF ADOPTION: The commission adopted this rule on August 1, 1997.

CONCISE STATEMENT OF PURPOSE AND EFFECT OF THE RULE: The rule would establish customer options and safeguards during initiation of new services, or change in existing services, and provide information through directories of companies serving an exchange. The rule gives consumers uniform protection from involuntary unauthorized changes in service and service providers. It ensures consumer service orders are fair and consistent across the telecommunications industry. The rule ensures that consumer choices in services and providers will be exercised voluntarily and in an informed manner.

REFERENCE TO AFFECTED RULES: This rule amends the following sections of the Washington Administrative Code:

WAC 480-120-042 Directory services. The amended section provides the option for new local exchange service companies to be included in a directory in the area in which they provide service. The rule gives consumers the information needed to select a provider in the customer's service area.

New WAC 480-120-139 Changes in local exchange and intrastate toll services. The new section defines the consumer protections all companies must assure when taking orders for service from customers, including: Protection against involuntary and unauthorized changes in service providers; assurance of privacy for customer proprietary network information; and remedies for violations of the rule requirements.

PREPROPOSAL STATEMENT OF INQUIRY AND ACTIONS THEREUNDER: The commission filed a preproposal statement of inquiry (CR-101) on July 24, 1996, under WSR 96-15-130.

ADDITIONAL NOTICE AND ACTIVITY PURSUANT TO PREPROPOSAL STATEMENT: The statement advised interested persons that the commission was considering a rule making to explore, with the telecommunications industry and interested parties, the need for consumer protections addressing fair practices during contacts with customers where choice of service provider for some component of service is an issue, including protection against involuntary and unauthorized change in service provider. The commission informed interested persons of the inquiry into this matter by providing notice of the subject; providing the preproposal statement of inquiry (CR-101) to all persons on the commission's list of persons requesting such information pursuant to RCW 34.05.320(3), providing notice to all registered telecommunications companies, and providing notice to the commission's list of telecommunications attorneys.

The commission engaged in two public workshops in September 1996, and January 1997, with members of the public, public counsel, industry representatives, and commission staff. After the workshops, the commission developed rule language incorporating specific language suggested by stakeholders. The commission requested comments on the various proposals throughout the rule development process.

PERMANENT

NOTICE OF PROPOSED RULE MAKING: The commission decided to file a notice of proposed rule making at its regularly scheduled open public meeting on May 16, 1997. The commission filed a notice of proposed rule making (CR-102) on May 21, 1997, under WSR 97-11-072. The commission scheduled this matter for oral comment and adoption under Notice No. WSR 97-11-072 at 9:00 a.m., Wednesday, July 30, 1997, in the Commission's Hearing Room, Second Floor, Chandler Plaza Building, 1300 South Evergreen Park Drive S.W., Olympia, WA. The notice provided interested persons the opportunity to submit written comments to the commission.

COMMENTERS: The commission received written comments from eleven interested parties on notice for proposed rule making (CR-102) WSR 97-11-072 in June 1997. Comments were filed by TCG Seattle, NEXTLINK, SPRINT Communications Company L.P. (Sprint), BCI, TRA, Bell Atlantic Communications, Inc., United Telephone Company of the Northwest, Washington Independent Telephone Association (WITA), US WEST Communications, Inc. (US WEST), AT&T Communications of the Pacific Northwest, Inc. (AT&T), and public counsel.

Commission staff incorporated editorial revisions and clarifications filed in comments by the eleven parties, and subsequently drafted and distributed modified rule language. The proposed rule language and a letter summarizing parties who filed comments on the CR-102 proposed rule making was mailed to all interested parties on July 2, 1997. Further comments were filed regarding the commission letter of July 2, by public counsel on July 14, US WEST on July 23, and VoiceLog on July 29, 1997.

Public counsel identified three issues in filed comments and suggested language previously filed by public counsel be used in the rule. The changes sought were: Require equal distribution of service information packages to all customers by the new telecommunications company; state commission authority and penalties in the rule in the event a violation occurs; and either limit the rule language on privacy or adopt a more comprehensive privacy section in the rule, incorporating a federal statute in protecting privacy for Washington customers.

US WEST filed comments suggesting the commission direct parties to work further on rule language. US WEST proposed specific language in four areas: WAC 480-120-042(1) revise proposed rule requirements on publication responsibility; WAC 480-120-139(1) identify interLATA toll as well as intraLATA toll as the serving market; WAC 480-120-139(2) drop the requirement for the postpaid postcard; and WAC 480-120-139(4) rewrite or delete the prohibition to use nonpublished and unlisted numbers for telemarketing.

VoiceLog LLC (VoiceLog) filed comments in support of WAC 480-120-139(5) (Use of customer information). Additionally, VoiceLog suggested the commission consider modifying the rules to allow customers to permit the use of nonpublished and unlisted customer information, and that the commission require companies document permission through a written or oral recorded process.

Commission staff met informally with representatives of PTI, US WEST, WITA, GTE Northwest, Inc. (GTE), SPRINT, VoiceLog, and public counsel on July 28 and 29, 1997, to address additional verbal and filed comments. Staff considered supplementary edits to the rule language, and incorporated modified revisions suggested by US WEST and

public counsel. Those revisions included public counsel's clarification on distribution of information packages to all customers in WAC 480-120-139(1), and a remedies section (5) of WAC 480-120-139 reiterating the commission authority to penalize companies that violate the statute and customer protections on payment to companies that violate the statute. US WEST's language in WAC 480-120-042(1) was considered and WAC 480-120-042(1) was changed back to the current rule language. This was due to stated uncertainty among industry members regarding new requirements. In WAC 480-120-139 "intrastate" was substituted for "intraLATA" for clarification based on US WEST's recommendation. WAC 480-120-042 and 480-120-139 were distributed through facsimile to industry members, public counsel and interested parties on July 25, July 28 and again on July 29, 1997.

RULE MAKING HEARING: The rule proposal was considered for adoption, pursuant to the notice, at the commission's regularly scheduled open public meeting on July 30, 1997, before Chairman Sharon L. Nelson and Commissioner William R. Gillis.

Testimony was taken and the rule was considered. Public counsel, Mr. Simon ffitich, supported the general rule intent and suggested WAC 480-120-139(4) (remedies) be enhanced using suggested language filed in the CR-102 proposed rule making in June 1997. Public counsel also confirmed its preference that subsection (2)(viii) (referencing postpaid postcards) be a positive option for customers.

WITA counsel, Mr. Richard Finnigan, expressed reservations regarding WAC 480-120-139 (5)(a) (use of customer information for telemarketing purposes).

TCG and NEXTLINK counsel, Mr. Greg Kopta, suggested a revision to WAC 480-120-139(2) to clarify telemarketing practices and the use of the postpaid postcard for customer notification. He suggested the requirement on postpaid postcards be waived in instances where the new telecommunications company had obtained a customer's written authority to place an order for services.

US WEST, represented by Ms. Theresa Jensen, reiterated its concerns filed on July 23, 1997, regarding WAC 480-120-042(5) (use of customer information), and suggested revisions to subsection (4) (remedies) to address potential customer fraud.

BCI counsel, Mr. Robert Taylor, asked the commission to reject the adoption of WAC 480-120-139 due to BCI concerns about third-party verification in subsection (2), and lack of appropriate remedies for customer fraud in subsection (4).

Consideration of the rule was continued until the August 1, 1997, continued session of the commission open public meeting, so commission staff and the commission could consider comments brought before the commission. The continuation was announced on the record during the regularly scheduled July 30, 1997, open public meeting.

The rule proposal was considered for adoption, at the continued open public meeting on August 1, 1997, before Chairman Sharon L. Nelson, Commissioner Richard Hemstad and Commissioner William R. Gillis.

Commission staff, represented by Rebecca Beaton, informed the commissioners that parties had met informally on July 31, 1997, and revisions were made in the rule with general consensus. Public counsel, US WEST, WITA, PTI, and BCI offered suggested rule language that addressed

issues brought before the commission on July 30, 1997. Public counsel, US WEST, WITA and PTI proposed language was modified, and incorporated into minor revisions of the rule language in WAC 480-120-139. BCI's suggestions were considered but not incorporated, due to commission staff and industry concerns regarding modification of the rule intent.

The revisions incorporated into WAC 480-120-139 and brought before the commission at the August 1, 1997, open public meeting were: Subsection (2)(x) which allowed waiver of requirements in the rule to send postpaid postcards to customers if written permission had been obtained by the new telecommunications company; subsection (4) (remedies) which was modified to include a revision that may prevent customer fraud against the authorized telecommunications company; and subsection (5)(c) (customer information) which was modified to allow solicitation of nonpublished and unlisted customers if customers are informed once a year of the option to be removed from telemarketing lists.

WITA, represented by Mr. Terry Vann, suggested a minor modification to clarify payment for calls in subsection (4) (remedies). Language was revised by the addition of "service provided" which replaced "calls made" and adding "after receipt of the refund for such service" inserted in sentence one of subsection (4). Mr. Vann also asked that the record reflect the fact that local exchange companies have no authority to remove unlisted or nonpublished customer numbers in lists generated through independent companies, such as Federal Express.

US WEST counsel, Ms. Lisa Andrl, responded to commission questions on refund processes and telemarketing to nonpublished and unlisted customers, confirming US WEST was in agreement with the revised rule language.

BCI attorney, Mr. Robert Taylor, restated his concerns as expressed in the July 30 public meeting on WAC 480-120-139(2) (orders), on third party verification and subsection (4) (remedies). The commission chose not to include the language on remedies proposed due to concerns about billing by telecommunications companies for services not rendered.

MCI attorney, Mr. David Hackett, requested the commission consider readdressing the proposed rules as a separate set of requirements for long distance service companies and for those providing local exchange. Mr. Hackett expressed concerns about third-party verification requirements and that prepaid postcards must be sent to all customers.

NEXTLINK and TCG counsel, Mr. Greg Kopta, confirmed with the commission that his client's issues had been addressed by modifying and clarifying subsection (2) of the WAC.

Public counsel, Mr. Simon ffitich, confirmed general support of commission staff recommendation that, at a minimum, the rules are appropriate for the emerging competitive market conditions.

FINDINGS

Upon review of the proposed rule and rule amendment and the record in this matter, the commission is satisfied that the rule and rule amendment are in the public interest and should be adopted and accepted. The parties are to be commended for their cooperative efforts regarding the issues in this proceeding. The commission had certain specific

concerns, which were addressed in the discussion and incorporated.

THE COMMISSION FINDS:

1. The Washington Utilities and Transportation Commission is an agency of the state of Washington, vested by statute with authority to regulate rules, rates, regulations, practices, accounts, securities, property transfers, and mergers of public service companies.

2. On July 29, 1996, the commission initiated a rule making to address consumer issues around choice of telecommunications services in the local exchange and intrastate toll market in Washington state. Due to changes in the emerging competitive telecommunications market, new categories of providers of services have developed. The commission considered a rule making the appropriate vehicle to address consumer protections.

3. The rules are intended to ensure consumers are protected from unfair competitive practices, that privacy is safeguarded, and that consumers have access to information about competitive alternatives for telecommunications services.

4. The commission finds that the advent of competition in the local exchange market and intrastate toll services necessitates consumer protections and fair practices. Under the Telecommunications Act of 1996, consumers are offered choices among many providers for some component of service. A rule in place will allow consumer education and provide a clear standard to consumer specialists in the companies and at the commission. Voluntary standards such as those cited by the incumbent local exchange carriers were deemed insufficient with emerging competition and voluntary standards were additionally deemed unfair to companies with responsible practices who may risk losing business to companies without such standards.

5. Docket No. UT-960942 is a rule amendment in WAC 480-120-042 and the creation of a new rule in WAC 480-120-139.

6. The commission held two public workshops and a hearing on the rule proposal and received testimony from eleven parties at the hearing.

7. The changes incorporated in the rule(s) after publication of the CR-102 proposed rule making, are not deemed significant. The changes clarify the language proposed but do not vary from the intent or purpose of the rule draft previously published. Deleting the reference to (a) of subsection (1) in WAC 480-120-139 (2)(A) will cause the rule to more closely reflect the federal requirements.

8. The amended rule in WAC 480-120-042 and new rule WAC 480-120-139 provide reasonable assurance that consumer protections will not degenerate with competition. The rules strike a balance between interests of customers and the telecommunications industry that preserves availability of services and fair practices. The telecommunications industry stakeholders stated in formal comments and in the hearing that the rule requirements codify existing practices for consumer protection. The purpose of including these existing practices in rules is to provide uniformity in safeguards.

9. The rule mirrors language at the federal level for interstate services. Companies currently abide by these requirements at the federal level and, thus, the imposition at the state level is consistent with current company practices.

10. The rules will assist the commission in carrying out its role and responsibility to protect the interests of consumers and industry.

COMMISSION ACTION: After considering all of the information regarding this proposal, the commission adopted the rule amendment and rule.

CHANGES FROM PROPOSAL: The commission adopted the proposal with the following changes from the text noticed under WSR 97-11-072.

Changes: WAC 480-120-042

Subsection (1)

"Each local exchange company shall regularly publish"
"Shall be regularly published"

"Each local exchange company shall, through the use of a common data base or other means, provide all other local exchange companies serving an exchange with the directory listing information required to publish an accurate and complete directory."

Subsection (4)

"local exchange company that is providing service in an area covered by a (directory published pursuant to this rule) may, upon request have (an informational listing of) its (name and telephone number) placed in each such directory"

"each local exchange company that is providing service in the area covered by the directory which requests such a listing"

Changes: WAC 480-120-139

Subsection (1)

"Changes in local exchange and intrastate toll services (1) A local exchange or intrastate toll carrier to whom service is being changed ("new telecommunications company") may not submit"

"shall include"

Subsection (2)

"1"

Subsection (4) (all)

Subsection (5) (all)

Brief Description of Changes Between the Proposal at WSR and the Text Adopted: The following table sets out the changes between the text noticed at WSR and the text that the commission has adopted. As noted, most reflect a consensus among participants that the commission, upon review, believes appropriate for purposes of the rule.

Change: WAC 480-120-042(1)

Remove: "each local exchange company shall regularly publish"

"Each local exchange company shall, through the use of a common data base or other means, provide all other local exchange companies serving an exchange with the directory listing information required to publish an accurate and complete directory"

Add: "shall be regularly published"

Reason: WAC 480-120-042(1)

The commission accepts the consensus of participants that language may impose requirements on nonregulated entities and further investigation is necessary.

Change: Subsection (4)

Remove: "all telecommunications service listings in telephone directories published by any incumbent local exchange carriers or competitive local exchange carriers shall include the name and telephone number of all exchange

carriers registered to provide service in the geographic area covered by such directory"

Add: "Each local exchange company that is providing service in an area covered by a directory published pursuant to this rule may, upon request, have an informational listing of its name and telephone number placed in each such directory. Each directory publisher may impose reasonable requirements on the timing and format of informational listings, provided that these requirements do not discriminate between local exchange carriers"

Reason: Subsection (4)

The commission agrees with commentaries that clear identification of company, company serving area and requirements is necessary for clarification.

Change: Subsection (6)

Remove: "telecommunications"

Add: "subscriber's local exchange"

Reason: Subsection (6)

Clarifying language and definition agreed by all parties and the commission.

Change: Subsection (7)

Remove: "utility"

Add: "local exchange company"

Reason: Subsection (7)

Definition of reference to a specific utility deemed appropriate by commission and parties in the WAC.

Change: WAC 480-120-139(1)

Remove: "Change in service"

Add: "Changes in local exchange and intrastate toll"

Remove: "carrier" (in all references in WAC)

Add: "telecommunications company" and "one of"

Reason: WAC 480-120-139(1)

The commission accepts the clarifying language by parties defining the utility referenced and service type and clear identification of changes in service procedures shall be in accordance with one of the processes, clarifying not all options must be used for order confirmation.

Change: Subsection (2)(a)(x)

Remove: "a" "carriers must wait fourteen days after the form is mailed to customers before submitting their change orders."

Add: "The requirements in (a)(vii) and (viii) of this subsection do not apply if authorization is obtained pursuant to subsection (1) of this section"

Reason: Subsection (2)(a)(x)

The commission accepts the consensus that the original subsection (x) is stated in (viii) and that authorization requirements for service verification options should consider FCC requirements and maintain consistency, although not identical.

Change: Subsection (2)(b)

Remove: "Business practices"

Reason: Subsection (2)(b)

The commission accepts the consensus the section title is not necessary as stated.

Change: Subsection (3)

Add: "within three business days of the order, the telecommunications company must send each new customer an information package by first class mail containing at least the following information concerning the request to change

as defined in subsection (2)(a)(ii), (iii), (iv), (v) of this section"

Reason: Subsection (3)

The commission accepts parties recommendation to include specific service information to all customers.

Change: Subsection (4)

Add: "Remedies. In addition to any other penalties provided by law, a telecommunications company initiating an unauthorized change order shall receive no payment for service provided as a result of the unauthorized change and shall promptly refund any amounts collected as a result of the unauthorized change. The subscriber may be charged, after receipt of the refund, for such service at a rate no greater than what would have been charged by its authorized telecommunications company, and any such payment shall be remitted to the customer's authorized telecommunications company"

Reason: Subsection (4)

The commission accepts parties recommendation to include a statement of commission authority regarding penalty assessment for rule violations and include some company protection in the case of consumer fraud.

Change: Subsection (5)

Add: "Use of customer information"

Reason: Subsection (5)

The commission accepts title identification regarding privacy.

Change: Subsection (5)(a)

Remove: "(2)(a) A carrier may not, except as authorized by law, disclose to any person, customer information, except to provide internal billing, collection, and network operations"

"(b) A carrier may not, except as authorized by law, disclose to any person, customer information, except to provide internal billing, collection, and network operations"

"(c) A carrier is prohibited from telemarketing its service to its customers with nonpublished and unlisted telephone numbers"

Add: "(5)(a) A telecommunications company may not use its customer proprietary network information or the customer proprietary network information of another telecommunications company."

"(b) Except to provide its own billing, collection, network operations, and as authorized by law, a telecommunications company may not disclose customer proprietary network information."

"(c) A telecommunications company may not make telephone solicitation or telemarketing calls using its list of customers with nonpublished or unlisted customer at least once in the past year that the company makes such calls to its customers with nonpublished or unlisted numbers and that the customer has the right to request that the company make no such calls."

Reason: Subsection (5)(a)

The commission accepts parties consensus recommendation on privacy and customer information to be consistent with the FCC definition of customer proprietary information as "CPNI" and clarifying language in the section. Language regarding telemarketing was revised to clarify jurisdictional authority and clarify requirements and prohibitions.

Other editorial comments and suggested rule language were rejected for being outside the scope and intent of the

rule, nonjurisdictional or an imposition of costs to companies or ratepayers. The commission determined that the language participants proposed and were adopted by general consensus satisfies the expressed needs of the carriers and result in satisfactory consumer protections.

STATEMENT OF ACTION; STATEMENT OF EFFECTIVE DATE: In reviewing the entire record, the commission determines that WAC 480-120-042 shall be amended and adopted, and that WAC 480-120-139 shall be adopted to read as set forth in Appendix A, as a rule of the Washington Utilities and Transportation Commission, to take effect pursuant to RCW 34.05.380(2) on the thirty-first day after filing with the code reviser.

ORDER

THE COMMISSION ORDERS:

1. WAC 480-120-042 and 480-120-139 are adopted to read as set forth in Appendix A, as rules of the Washington Utilities and Transportation Commission, to take effect on the thirty-first day after the date of filing with the code reviser pursuant to RCW 34.05.380(2).

2. This order and the rule set out below, after being recorded in the register of the Washington Utilities and Transportation Commission, shall be forwarded to the code reviser for filing pursuant to chapters 80.01 and 34.05 RCW and chapter 1-21 WAC.

3. The commission adopts the commission staff memorandum presented when the commission considered filing a preproposal statement of inquiry, when it considered filing the formal notice of proposed rule making, and when it considered adoption of this proposal in conjunction with the text of this order, as its concise explanatory statement of the reasons for adoption, as required by RCW 34.05.025.

DATED at Olympia, Washington, this 13th day of August 1997.

Washington Utilities and Transportation Commission
Sharon L. Nelson, Chairman
Richard Hemstad, Commissioner
William R. Gillis, Commissioner

APPENDIX "A"

AMENDATORY SECTION (Amending Order R-242, Cause No. U-85-56, filed 11/7/85)

WAC 480-120-042 Directory service. (1) A telephone directory shall be regularly published for each exchange, listing the name, address (unless omission is requested), and telephone number of the subscribers who can be called in that exchange, except those subscribers who have a nonlisted or nonpublished telephone number.

(2) Any subscriber to residential service may request a dual name primary directory listing which contains, in addition to the subscriber's surname, the given names or initials (or combination thereof) of the subscriber and (1) one other person with the same surname who resides at the same address; or (2) a second name, other than surname, by which the subscriber is also known, including the married name of a woman whose husband is deceased. Any additional directory listing requested by a subscriber pursuant to tariff provision shall also reflect said dual name listing if requested by the subscriber. ~~((Each subscriber to residential service as of the effective date of this rule shall be entitled for a six~~

~~month period to request on a one-time basis at no cost a change in the manner of listing the subscriber's name to the dual name listing provided for above, so long as there has been no other change requested and made in the subscriber's directory listing since the effective date.))~~

(3) Each local exchange company shall furnish a copy of any required directory ((shall be furnished)) to each of its subscribers in each exchange. If that directory does not also contain such listings for all subscribers who can be called toll free from that exchange (excluding WATS), a copy of the directory or directories required for that coverage shall be furnished each subscriber upon request and without charge. If anyone requests a directory other than the one(s) provided for above, the company may apply a charge equal to, but not to exceed, its actual cost for the directory, plus freight, postage, and \$0.50.

(4) Each local exchange company that is providing service in an area covered by a directory published pursuant to this rule may, upon request, have an informational listing of its name and telephone number placed in each such directory. Each directory publisher may impose reasonable requirements on the timing and format of informational listings, provided that these requirements do not discriminate between local exchange carriers.

(5) Normally, telephone directories shall be revised annually; otherwise they shall be revised at least once every fifteen months, except when it is known that impending service changes require rescheduling of directory revision dates. The revision of directories may at times be required more often than specified to keep the directory correct and up to date. Exemptions from these requirements may be allowed by the commission upon application if it can be shown that it is unnecessary to revise the directory within the specified time limit for good cause and/or due to a relatively small number of changes resulting from new listings or changed numbers and if the exchange is equipped for adequate intercept in the case of dial exchanges.

(6) In the event of an error in the listed number of any subscriber, the ~~((telecommunications))~~ subscriber's local exchange company shall, until a new directory is published, intercept all calls to the incorrectly listed number to give the calling party the correct number of the called party, providing that this is permitted by existing central office equipment and the incorrectly listed number is not a number presently assigned to another subscriber. In the event of an error or omission in the name listing of a subscriber, such subscriber's correct name and telephone number shall be maintained in the files of the directory assistance operator, and the correct number shall be furnished the calling party upon request.

(7) Whenever a subscriber's telephone number is changed for any reason after a directory is published, the ~~((utility))~~ local exchange company shall intercept all calls to the former number, if existing office equipment will permit, for a minimum period of thirty days or until a new directory is published, and give the calling party the new number for that subscriber unless the subscriber has requested that such referral not be made.

(8) When additions or changes to plant or records are scheduled which will necessitate a large group of number changes, a minimum of six months notice shall be given to all subscribers then of record and so affected even though

the additions or changes may be coincidental with the issuance of a new directory.

NEW SECTION

WAC 480-120-139 Changes in local exchange and intrastate toll services. (1) Verification of orders. A local exchange or intrastate toll carrier to whom service is being changed ("new telecommunications company") may not submit a change order for local exchange or intrastate toll service until the order is confirmed in accordance with one of the following procedures:

(a) The telecommunications company has obtained the customer's written authorization to submit the order which includes the following information from the customer:

(i) The customer billing name, billing telephone number and billing address and each telephone number to be covered by the change order;

(ii) The decision to change; and

(iii) The customer's understanding of the change fee.

(b) The new telecommunications company has obtained the customer's authorization, as described in (a) of this subsection, electronically.

Telecommunications companies electing to confirm sales electronically shall establish one or more toll free telephone numbers exclusively for that purpose.

Calls to the number(s) shall connect a customer to a voice response unit, or similar, that records the required information regarding the change, including automatically recording the originating automatic number identification (ANI).

(c) An appropriately qualified and independent third party operating in a location physically separate from the telemarketing representative has obtained the customer's oral authorization to submit the change order that confirms and includes appropriate verification data in (a) of this subsection.

(2) Implementing order changes.

(a) Telemarketing orders. Within three business days of any telemarketing order for a change, the new telecommunications company must send each new customer an information package by first class mail containing at least the following information concerning the requested change:

(i) The information is being sent to confirm a telemarketing order placed by the customer.

(ii) The name of the customer's current telecommunications company.

(iii) A description of any terms, conditions or charges that will be incurred.

(iv) The name of the newly requested telecommunications company.

(v) The name of the person ordering the change.

(vi) The name, address and telephone number of both the customer and the soliciting telecommunications company.

(vii) A postpaid postcard which the customer can use to deny, cancel or confirm a service order.

(viii) A clear statement that if the customer does not return the postcard, the customer's service will be switched fourteen days after the date the information package was mailed. If customers have cancelled their orders during the waiting period, the new telecommunications company cannot submit the customer's order.

(ix) The name, address and telephone number of a contact point at the commission for consumer complaints.

(x) The requirements in (a)(vii) and (viii) of this subsection do not apply if authorization is obtained pursuant to subsection (1) of this section.

(b) The documentation of the order shall be retained by the new telecommunications company, at a minimum, for twelve months to serve as verification of the customer's authorization to change telecommunications company. The documentation will be made available to the customer and to the commission upon request.

(3) Customer initiated orders. The new telecommunications company receiving the customer initiated request for a change of local exchange and/or intrastate toll shall keep an internal memorandum or record generated at the time of the request. Such internal record shall be maintained by the telecommunications company for a minimum of twelve months to serve as verification of the customer's authorization to change telecommunications company. The internal record will be made available to the customer and to the commission upon request. Within three business days of the order, the telecommunications company must send each new customer an information package by first class mail containing at least the following information concerning the request to change as defined in subsection (2)(a)(ii), (iii), (iv), (v) of this section.

(4) Remedies. In addition to any other penalties provided by law, a telecommunications company initiating an unauthorized change order shall receive no payment for service provided as a result of the unauthorized change and shall promptly refund any amounts collected as a result of the unauthorized change. The subscriber may be charged, after receipt of the refund, for such service at a rate no greater than what would have been charged by its authorized telecommunications company, and any such payment shall be remitted to the customer's authorized telecommunications company.

(5) Use of customer information.

(a) A telecommunications company may not use its customer proprietary network information or the customer proprietary network information of another telecommunications company.

(b) Except to provide its own billing, collection, network operations, and as authorized by law, a telecommunications company may not disclose customer proprietary network information.

(c) A telecommunications company may not make telephone solicitation or telemarketing calls using its list of customers with nonpublished or unlisted numbers unless it has notified each such customer at least once in the past year that the company makes such calls to its customers with nonpublished or unlisted numbers and that the customer has a right to request that the company make no such calls.

January 10, 1997. Methylene chloride is a highly volatile solvent used in a variety of industries including furniture refinishing, some labs in extraction procedures, in dip tanks, foam manufacturing, the printing industry, and others. This federal-final rule was published in the Federal Register Volume 62, Number 7, on January 10, 1997. The department is required by the OSHA/WISHA state plan agreement to adopt rules identical to or at-least-as-effective-as OSHA rules. The department is proposing to adopt a federal-identical standard. This standard (WAC 296-62-07470) will add additional compliance requirements since a standard did not exist previously. A summary of the rule follows:

- The 8-hour permissible exposure limit will be lowered from the current WISHA PEL of 100 ppm to 25 ppm.
- The short term exposure limit (STEL) will be lowered from 500 ppm to 125 ppm.
- In addition, the new standard will require the following:

Exposure monitoring. Initial and periodic air monitoring is required to determine employee exposure levels (unless already done in past year) if methylene chloride is used at workplace. Frequency of periodic monitoring depends on levels, but at least every six months if the "action limit" of 12.5 ppm is exceeded.

Methods of compliance. Employers must use feasible engineering controls or work practices to lower or limit employee exposure to methylene chloride. Worker rotation is prohibited. Respirators are allowed, but can only be supplied-air type respirators.

Medical surveillance. Medical surveillance is required for all employees exposed to levels of methylene chloride above the action limit (12.5 ppm) for more than thirty days a year or above the PEL for more than ten days a year.

Employee information and training. Employers must provide information and training to all employees who have the potential of being exposed to methylene chloride.

Statutory Authority for Adoption: RCW 49.17.040, [49.17].050, [49.17].060.

Adopted under notice filed as WSR 97-13-063 on June 17, 1997.

Number of Sections Adopted in Order to Comply with Federal Statute: New 0, amended 0, repealed 0; Federal Rules or Standards: New 4, amended 0, repealed 0; or Recently Enacted State Statutes: New 0, amended 0, repealed 0.

Number of Sections Adopted at Request of a Nongovernmental Entity: New 0, amended 0, repealed 0.

Number of Sections Adopted on the Agency's own Initiative: New 0, amended 0, repealed 0.

Number of Sections Adopted in Order to Clarify, Streamline, or Reform Agency Procedures: New 0, amended 0, repealed 0.

Number of Sections Adopted using Negotiated Rule Making: New 0, amended 0, repealed 0; Pilot Rule Making: New 0, amended 0, repealed 0; or Other Alternative Rule Making: New 4, amended 0, repealed 0.

Effective Date of Rule: December 1, 1997.

September 2, 1997
Gary Moore
Director

**WSR 97-18-062
PERMANENT RULES
DEPARTMENT OF
LABOR AND INDUSTRIES**

[Filed September 2, 1997, 10:15 a.m., effective December 1, 1997]

Date of Adoption: September 2, 1997.

Purpose: **Methylene chloride**, chapter 296-62 WAC, General occupational health standards.

The Occupational Safety and Health Administration (OSHA) adopted a new methylene chloride standard on Permanent

PERMANENT

NEW SECTION

WAC 296-62-07470 Methylene chloride. This occupational health standard establishes requirements for employers to control occupational exposure to methylene chloride (MC). Employees exposed to MC are at increased risk of developing cancer, adverse effects on the heart, central nervous system and liver, and skin or eye irritation. Exposure may occur through inhalation, by absorption through the skin, or through contact with the skin. MC is a solvent which is used in many different types of work activities, such as paint stripping, polyurethane foam manufacturing, and cleaning and degreasing. Under the requirements of subsection (4) of this section, each covered employer must make an initial determination of each employee's exposure to MC. If the employer determines that employees are exposed below the action level, the only other provisions of this section that apply are that a record must be made of the determination, the employees must receive information and training under subsection (12) of this section and, where appropriate, employees must be protected from contact with liquid MC under subsection (8) of this section.

The provisions of the MC standard are as follows:

(1) **Scope and application.** This section applies to all occupational exposures to methylene chloride (MC), Chemical Abstracts Service Registry Number 75-09-2, in general industry, construction and shipyard employment.

(2) **Definitions.** For the purposes of this section, the following definitions shall apply:

"Action level" means a concentration of airborne MC of 12.5 parts per million (ppm) calculated as an eight (8)-hour time-weighted average (TWA).

"Authorized person" means any person specifically authorized by the employer and required by work duties to be present in regulated areas, or any person entering such an area as a designated representative of employees for the purpose of exercising the right to observe monitoring and measuring procedures under subsection (4) of this section, or any other person authorized by the WISH Act or regulations issued under the act.

"Director" means the director of the department of labor and industries, or designee.

"Emergency" means any occurrence, such as, but not limited to, equipment failure, rupture of containers, or failure of control equipment, which results, or is likely to result in an uncontrolled release of MC. If an incidental release of MC can be controlled by employees such as maintenance personnel at the time of release and in accordance with the leak/spill provisions required by subsection (6) of this section, it is not considered an emergency as defined by this standard.

"Employee exposure" means exposure to airborne MC which occurs or would occur if the employee were not using respiratory protection.

"Methylene chloride (MC)" means an organic compound with chemical formula, CH₂Cl₂. Its Chemical Abstracts Service Registry Number is 75-09-2. Its molecular weight is 84.9 g/mole.

"Physician or other licensed health care professional" is an individual whose legally permitted scope of practice (i.e., license, registration, or certification) allows him or her to independently provide or be delegated the responsibility to

provide some or all of the health care services required by subsection (10) of this section.

"Regulated area" means an area, demarcated by the employer, where an employee's exposure to airborne concentrations of MC exceeds or can reasonably be expected to exceed either the 8-hour TWA PEL or the STEL.

"Symptom" means central nervous system effects such as headaches, disorientation, dizziness, fatigue, and decreased attention span; skin effects such as chapping, erythema, cracked skin, or skin burns; and cardiac effects such as chest pain or shortness of breath.

"This section" means this methylene chloride standard.

(3) **Permissible exposure limits (PELs).**

(a) **Eight-hour time-weighted average (TWA) PEL.** The employer shall ensure that no employee is exposed to an airborne concentration of MC in excess of twenty-five parts of MC per million parts of air (25 ppm) as an 8-hour TWA.

(b) **Short-term exposure limit (STEL).** The employer shall ensure that no employee is exposed to an airborne concentration of MC in excess of one hundred and twenty-five parts of MC per million parts of air (125 ppm) as determined over a sampling period of fifteen minutes.

(4) **Exposure monitoring.**

(a) **Characterization of employee exposure.**

(i) Where MC is present in the workplace, the employer shall determine each employee's exposure by either:

(A) Taking a personal breathing zone air sample of each employee's exposure; or

(B) Taking personal breathing zone air samples that are representative of each employee's exposure.

(ii) **Representative samples.** The employer may consider personal breathing zone air samples to be representative of employee exposures when they are taken as follows:

(A) **8-hour TWA PEL.** The employer has taken one or more personal breathing zone air samples for at least one employee in each job classification in a work area during every work shift, and the employee sampled is expected to have the highest MC exposure.

(B) **Short-term exposure limits.** The employer has taken one or more personal breathing zone air samples which indicate the highest likely 15-minute exposures during such operations for at least one employee in each job classification in the work area during every work shift, and the employee sampled is expected to have the highest MC exposure.

(C) **Exception.** Personal breathing zone air samples taken during one work shift may be used to represent employee exposures on other work shifts where the employer can document that the tasks performed and conditions in the workplace are similar across shifts.

(iii) **Accuracy of monitoring.** The employer shall ensure that the methods used to perform exposure monitoring produce results that are accurate to a confidence level of 95 percent, and are:

(A) Within plus or minus 25 percent for airborne concentrations of MC above the 8-hour TWA PEL or the STEL; or

(B) Within plus or minus 35 percent for airborne concentrations of MC at or above the action level but at or below the 8-hour TWA PEL.

(b) **Initial determination.** Each employer whose employees are exposed to MC shall perform initial exposure

monitoring to determine each affected employee's exposure, except under the following conditions:

(i) Where objective data demonstrate that MC cannot be released in the workplace in airborne concentrations at or above the action level or above the STEL. The objective data shall represent the highest MC exposures likely to occur under reasonably foreseeable conditions of processing, use, or handling. The employer shall document the objective data exemption as specified in subsection (13) of this section;

(ii) Where the employer has performed exposure monitoring within 12 months prior to December 1, and that exposure monitoring meets all other requirements of this section, and was conducted under conditions substantially equivalent to existing conditions; or

(iii) Where employees are exposed to MC on fewer than 30 days per year (e.g., on a construction site), and the employer has measurements by direct reading instruments which give immediate results (such as a detector tube) and which provide sufficient information regarding employee exposures to determine what control measures are necessary to reduce exposures to acceptable levels.

(c) Periodic monitoring. Where the initial determination shows employee exposures at or above the action level or above the STEL, the employer shall establish an exposure monitoring program for periodic monitoring of employee exposure to MC in accordance with Table 1:

Table 1
Six Initial Determination Exposure Scenarios and Their Associated Monitoring Frequencies

Exposure scenario	Required monitoring activity
Below the action level and at or below the STEL.	No 8-hour TWA or STEL monitoring required.
Below the action level and above the STEL.	No 8-hour TWA monitoring required; monitor STEL exposures every three months.
At or above the action level, at or below the TWA, and at or below the STEL.	Monitor 8-hour TWA exposures every six months.
At or above the action level, at or below the TWA, and above the STEL.	Monitor 8-hour TWA exposures every six months and monitor STEL exposures every three months.
Above the TWA and at or below the STEL.	Monitor 8-hour TWA exposures every three months.
Above the TWA and above the STEL.	Monitor both 8-hour TWA exposures and STEL exposures every three months.

(Note to subsection (3)(c) of this section: The employer may decrease the frequency of exposure monitoring to every six months when at least 2 consecutive measurements taken at least 7 days apart show exposures to be at or below the 8-hour TWA PEL. The employer may discontinue the periodic 8-hour TWA monitoring for employees where at least two consecutive measurements taken at least 7 days apart are below the action level. The employer may discontinue the periodic STEL monitoring for employees where at least two consecutive measurements taken at least 7 days apart are at or below the STEL.)

(d) Additional monitoring.

(i) The employer shall perform exposure monitoring when a change in workplace conditions indicates that employee exposure may have increased. Examples of situations that may require additional monitoring include changes in production, process, control equipment, or work practices, or a leak, rupture, or other breakdown.

(ii) Where exposure monitoring is performed due to a spill, leak, rupture or equipment breakdown, the employer shall clean up the MC and perform the appropriate repairs before monitoring.

(e) Employee notification of monitoring results.

(i) The employer shall, within 15 working days after the receipt of the results of any monitoring performed under this section, notify each affected employee of these results in writing, either individually or by posting of results in an appropriate location that is accessible to affected employees.

(ii) Whenever monitoring results indicate that employee exposure is above the 8-hour TWA PEL or the STEL, the employer shall describe in the written notification the corrective action being taken to reduce employee exposure to or below the 8-hour TWA PEL or STEL and the schedule for completion of this action.

(f) Observation of monitoring.

(i) Employee observation. The employer shall provide affected employees or their designated representatives an opportunity to observe any monitoring of employee exposure to MC conducted in accordance with this section.

(ii) Observation procedures. When observation of the monitoring of employee exposure to MC requires entry into an area where the use of protective clothing or equipment is required, the employer shall provide, at no cost to the observer(s), and the observer(s) shall be required to use such clothing and equipment and shall comply with all other applicable safety and health procedures.

(5) Regulated areas.

(a) The employer shall establish a regulated area wherever an employee's exposure to airborne concentrations of MC exceeds or can reasonably be expected to exceed either the 8-hour TWA PEL or the STEL.

(b) The employer shall limit access to regulated areas to authorized persons.

(c) The employer shall supply a respirator, selected in accordance with subsection (7)(c) of this section, to each person who enters a regulated area and shall require each

PERMANENT

affected employee to use that respirator whenever MC exposures are likely to exceed the 8-hour TWA PEL or STEL.

(Note to subsection (5)(c) of this section: An employer who has implemented all feasible engineering, work practice and administrative controls (as required in subsection (6) of this section), and who has established a regulated area (as required by subsection (5)(a) of this section) where MC exposure can be reliably predicted to exceed the 8-hour TWA PEL or the STEL only on certain days (for example, because of work or process schedule) would need to have affected employees use respirators in that regulated area only on those days.)

(d) The employer shall ensure that, within a regulated area, employees do not engage in nonwork activities which may increase dermal or oral MC exposure.

(e) The employer shall ensure that while employees are wearing respirators, they do not engage in activities (such as taking medication or chewing gum or tobacco) which interfere with respirator seal or performance.

(f) The employer shall demarcate regulated areas from the rest of the workplace in any manner that adequately establishes and alerts employees to the boundaries of the area and minimizes the number of authorized employees exposed to MC within the regulated area.

(g) An employer at a multi-employer worksite who establishes a regulated area shall communicate the access restrictions and locations of these areas to all other employers with work operations at that worksite.

(6) Methods of compliance.

(a) Engineering and work practice controls. The employer shall institute and maintain the effectiveness of engineering controls and work practices to reduce employee exposure to or below the PELs except to the extent that the employer can demonstrate that such controls are not feasible.

(b) Wherever the feasible engineering controls and work practices which can be instituted are not sufficient to reduce employee exposure to or below the 8-TWA PEL or STEL, the employer shall use them to reduce employee exposure to the lowest levels achievable by these controls and shall supplement them by the use of respiratory protection that complies with the requirements of subsection (7) of this section.

(c) Prohibition of rotation. The employer shall not implement a schedule of employee rotation as a means of compliance with the PELs.

(d) Leak and spill detection.

(i) The employer shall implement procedures to detect leaks of MC in the workplace. In work areas where spills may occur, the employer shall make provisions to contain any spills and to safely dispose of any MC-contaminated waste materials.

(ii) The employer shall ensure that all incidental leaks are repaired and that incidental spills are cleaned promptly by employees who use the appropriate personal protective equipment and are trained in proper methods of cleanup.

(Note to subsection (6)(d)(ii) of this section: See Appendix A of this section for examples of procedures that satisfy this requirement. Employers covered by this standard may also be subject to the hazardous waste and emergency response provisions contained in WAC 296-62-3112.)

(7) Respiratory protection.

(a) General requirements. The employer shall provide a respirator which complies with the requirement of this subsection, at no cost to each affected employee, and ensure that each affected employee uses such respirator where appropriate. Respirators shall be used in the following circumstances:

(i) Whenever an employee's exposure to MC exceeds or can reasonably be expected to exceed the 8-hour TWA PEL or the STEL (such as where an employee is using MC in a regulated area);

(ii) During the time interval necessary to install or implement feasible engineering and work practice controls;

(iii) In a few work operations, such as some maintenance operations and repair activities, for which the employer demonstrates that engineering and work practice controls are infeasible;

(iv) Where feasible engineering and work practice controls are not sufficient to reduce exposures to or below the PELs; or

(v) In emergencies.

(b) Medical evaluation. Before having any employee use a supplied-air respirator in the negative pressure mode, or a gas mask with organic vapor canister for emergency escape, the employer shall have a physician or other licensed health care professional ascertain each affected employee's ability to use such respiratory protection. The physician or other licensed health care professional shall provide his or her findings to the affected employee and the employer in a written opinion.

(Note to subsection (7)(b) of this section: See also WAC 296-62-07109(3) - Respiratory Protection for medical evaluation requirements for employees using respirators for purposes other than emergency escape.)

(c) Respirator selection. The appropriate atmosphere-supplying respirators, as specified in Table 2, shall be selected from those approved by the National Institute for Occupational Safety and Health (NIOSH) under the provisions of 42 CFR Part 84, "Respiratory Protective Devices." When employers elect to provide gas masks with organic vapor canisters for use in emergency escape, the organic vapor canisters shall bear the approval of NIOSH.

Table 2.—Minimum Requirements for Respiratory Protection for Airborne Methylene Chloride

Methylene chloride airborne concentration (ppm) or condition of use	Minimum respirator required ¹
Up to 625 ppm (25 X PEL)	(1) Continuous flow supplied-air respirator, hood or helmet.
Up to 1250 ppm (50 X 8 hr TWA PEL)	(1) Full facepiece supplied-air respirator operated in negative pressure (demand) mode. (2) Full facepiece self-contained breathing apparatus (SCBA) operated in negative pressure (demand) mode.
Up to 5000 ppm (200 X 8-TWA PEL)	(1) Continuous flow supplied-air respirator, full facepiece. (2) Pressure demand supplied-air respirator, full facepiece. (3) Positive pressure full facepiece SCBA.
Unknown concentration, or above 5000 ppm (Greater than 200 X 8-TWA PEL)	(1) Positive pressure full facepiece SCBA. (2) Full facepiece pressure demand supplied-air respirator with an auxiliary self-contained air supply.
Fire fighting	Positive pressure full facepiece SCBA.
Emergency escape	(1) Any continuous flow or pressure demand SCBA. (2) Gas mask with organic vapor canister.

¹ Respirators assigned for higher airborne concentrations may be used at lower concentrations.

(d) Respirator program. Where respiratory protection is required by this section, the employer shall institute a respirator program in accordance with WAC 296-62-071.

(e) Permission to leave area. The employer shall permit employees who wear respirators to leave the regulated area to readjust the facepieces to their faces to achieve a proper fit, and to wash their faces and respirator facepieces as necessary in order to prevent skin irritation associated with respirator use.

(f) Filter respirators. Employers who provide gas masks with organic vapor canisters for the purpose of emergency escape shall replace those canisters after any emergency use before those gas masks are returned to service.

(g) Respirator fit testing.

(i) The employer shall ensure that each respirator issued to the employee is properly fitted and exhibits the least possible facepiece leakage from among the facepieces tested.

(ii) The employer shall perform qualitative or quantitative fit tests at the time of initial fitting and at least annually thereafter for each employee wearing a negative pressure respirator, including those employees for whom emergency escape respirators are provided.

(Note to subsection (7)(g)(ii) of this section: The only supplied-air respirators to which this provision would apply are SCBA in negative pressure mode and full facepiece supplied-air respirators operated in negative pressure mode. The small business compliance guides will contain examples of protocols for qualitative and quantitative fit testing.)

(8) Protective work clothing and equipment.

(a) Where needed to prevent MC- induced skin or eye irritation, the employer shall provide clean protective clothing and equipment which is resistant to MC, at no cost

Permanent

to the employee, and shall ensure that each affected employee uses it. Eye and face protection shall meet the requirements of WAC 296-24-078, as applicable.

(b) The employer shall clean, launder, repair and replace all protective clothing and equipment required by this subsection as needed to maintain their effectiveness.

(c) The employer shall be responsible for the safe disposal of such clothing and equipment.

(Note to subsection (8)(c) of this section: See Appendix A for examples of disposal procedures that will satisfy this requirement.)

(9) Hygiene facilities.

(a) If it is reasonably foreseeable that employees' skin may contact solutions containing 0.1 percent or greater MC (for example, through splashes, spills or improper work practices), the employer shall provide conveniently located washing facilities capable of removing the MC, and shall ensure that affected employees use these facilities as needed.

(b) If it is reasonably foreseeable that an employee's eyes may contact solutions containing 0.1 percent or greater MC (for example through splashes, spills or improper work practices), the employer shall provide appropriate eyewash facilities within the immediate work area for emergency use, and shall ensure that affected employees use those facilities when necessary.

(10) Medical surveillance.

(a) Affected employees. The employer shall make medical surveillance available for employees who are or may be exposed to MC as follows:

(i) At or above the action level on 30 or more days per year, or above the 8-hour TWA PEL or the STEL on 10 or more days per year;

(ii) Above the 8-TWA PEL or STEL for any time period where an employee has been identified by a physician

or other licensed health care professional as being at risk from cardiac disease or from some other serious MC-related health condition and such employee requests inclusion in the medical surveillance program;

(iii) During an emergency.

(b) Costs. The employer shall provide all required medical surveillance at no cost to affected employees, without loss of pay and at a reasonable time and place.

(c) Medical personnel. The employer shall ensure that all medical surveillance procedures are performed by a physician or other licensed health care professional, as defined in subsection (2) of this section.

(d) Frequency of medical surveillance. The employer shall make medical surveillance available to each affected employee as follows:

(i) Initial surveillance. The employer shall provide initial medical surveillance under the schedule provided by subsection (14)(b)(iii) of this section, or before the time of initial assignment of the employee, whichever is later. The employer need not provide the initial surveillance if medical records show that an affected employee has been provided with medical surveillance that complies with this section within 12 months before December 1.

(ii) Periodic medical surveillance. The employer shall update the medical and work history for each affected employee annually. The employer shall provide periodic physical examinations, including appropriate laboratory surveillance, as follows:

(A) For employees 45 years of age or older, within 12 months of the initial surveillance or any subsequent medical surveillance; and

(B) For employees younger than 45 years of age, within 36 months of the initial surveillance or any subsequent medical surveillance.

(iii) Termination of employment or reassignment. When an employee leaves the employer's workplace, or is reassigned to an area where exposure to MC is consistently at or below the action level and STEL, medical surveillance shall be made available if six months or more have elapsed since the last medical surveillance.

(iv) Additional surveillance. The employer shall provide additional medical surveillance at frequencies other than those listed above when recommended in the written medical opinion. (For example, the physician or other licensed health care professional may determine an examination is warranted in less than 36 months for employees younger than 45 years of age based upon evaluation of the results of the annual medical and work history.)

(e) Content of medical surveillance.

(i) Medical and work history. The comprehensive medical and work history shall emphasize neurological symptoms, skin conditions, history of hematologic or liver disease, signs or symptoms suggestive of heart disease (angina, coronary artery disease), risk factors for cardiac disease, MC exposures, and work practices and personal protective equipment used during such exposures.

(Note to subsection (10)(e)(i) of this section: See Appendix B of this section for an example of a medical and work history format that would satisfy this requirement.)

(ii) Physical examination. Where physical examinations are provided as required above, the physician or other licensed health care professional shall accord particular attention to the lungs, cardiovascular system (including blood

pressure and pulse), liver, nervous system, and skin. The physician or other licensed health care professional shall determine the extent and nature of the physical examination based on the health status of the employee and analysis of the medical and work history.

(iii) Laboratory surveillance. The physician or other licensed health care professional shall determine the extent of any required laboratory surveillance based on the employee's observed health status and the medical and work history.

(Note to subsection (10)(e)(iii) of this section: See Appendix B of this section for information regarding medical tests. Laboratory surveillance may include before-and-after-shift carboxyhemoglobin determinations, resting ECG, hematocrit, liver function tests and cholesterol levels.)

(iv) Other information or reports. The medical surveillance shall also include any other information or reports the physician or other licensed health care professional determines are necessary to assess the employee's health in relation to MC exposure.

(f) Content of emergency medical surveillance. The employer shall ensure that medical surveillance made available when an employee has been exposed to MC in emergency situations includes, at a minimum:

(i) Appropriate emergency treatment and decontamination of the exposed employee;

(ii) Comprehensive physical examination with special emphasis on the nervous system, cardiovascular system, lungs, liver and skin, including blood pressure and pulse;

(iii) Updated medical and work history, as appropriate for the medical condition of the employee; and

(iv) Laboratory surveillance, as indicated by the employee's health status.

(Note to subsection (10)(f)(iv) of this section: See Appendix B for examples of tests which may be appropriate.)

(g) Additional examinations and referrals. Where the physician or other licensed health care professional determines it is necessary, the scope of the medical examination shall be expanded and the appropriate additional medical surveillance, such as referrals for consultation or examination, shall be provided.

(h) Information provided to the physician or other licensed health care professional. The employer shall provide the following information to a physician or other licensed health care professional who is involved in the diagnosis of MC-induced health effects:

(i) A copy of this section including its applicable appendices;

(ii) A description of the affected employee's past, current and anticipated future duties as they relate to the employee's MC exposure;

(iii) The employee's former or current exposure levels or, for employees not yet occupationally exposed to MC, the employee's anticipated exposure levels and the frequency and exposure levels anticipated to be associated with emergencies;

(iv) A description of any personal protective equipment, such as respirators, used or to be used; and

(v) Information from previous employment-related medical surveillance of the affected employee which is not otherwise available to the physician or other licensed health care professional.

(i) Written medical opinions.

(i) For each physical examination required by this section, the employer shall ensure that the physician or other licensed health care professional provides to the employer and to the affected employee a written opinion regarding the results of that examination within 15 days of completion of the evaluation of medical and laboratory findings, but not more than 30 days after the examination. The written medical opinion shall be limited to the following information:

(A) The physician's or other licensed health care professional's opinion concerning whether the employee has any detected medical condition(s) which would place the employee's health at increased risk of material impairment from exposure to MC;

(B) Any recommended limitations upon the employee's exposure to MC or upon the employee's use of protective clothing or equipment and respirators;

(C) A statement that the employee has been informed by the physician or other licensed health care professional that MC is a potential occupational carcinogen, of risk factors for heart disease, and the potential for exacerbation of underlying heart disease by exposure to MC through its metabolism to carbon monoxide; and

(D) A statement that the employee has been informed by the physician or other licensed health care professional of the results of the medical examination and any medical conditions resulting from MC exposure which require further explanation or treatment.

(ii) The employer shall instruct the physician or other licensed health care professional not to reveal to the employer, orally or in the written opinion, any specific records, findings, and diagnoses that have no bearing on occupational exposure to MC.

(Note to subsection (10)(h)(ii) of this section: The written medical opinion may also include information and opinions generated to comply with other OSHA health standards.)

(11) Hazard communication. The employer shall communicate the following hazards associated with MC on labels and in material safety data sheets in accordance with the requirements of the hazard communication standard, WAC 296-62-054: cancer, cardiac effects (including elevation of carboxyhemoglobin), central nervous system effects, liver effects, and skin and eye irritation.

(12) Employee information and training.

(a) The employer shall provide information and training for each affected employee prior to or at the time of initial assignment to a job involving potential exposure to MC.

(b) The employer shall ensure that information and training is presented in a manner that is understandable to the employees.

(c) In addition to the information required under the hazard communication standard at WAC 296-62-054:

(i) The employer shall inform each affected employee of the requirements of this section and information available in its appendices, as well as how to access or obtain a copy of it in the workplace;

(ii) Wherever an employee's exposure to airborne concentrations of MC exceeds or can reasonably be expected to exceed the action level, the employer shall inform each affected employee of the quantity, location, manner of use, release, and storage of MC and the specific operations in the

workplace that could result in exposure to MC, particularly noting where exposures may be above the 8-hour TWA PEL or STEL;

(d) The employer shall train each affected employee as required under the hazard communication standard at WAC 296-62-054, as appropriate.

(e) The employer shall re-train each affected employee as necessary to ensure that each employee exposed above the action level or the STEL maintains the requisite understanding of the principles of safe use and handling of MC in the workplace.

(f) Whenever there are workplace changes, such as modifications of tasks or procedures or the institution of new tasks or procedures, which increase employee exposure, and where those exposures exceed or can reasonably be expected to exceed the action level, the employer shall update the training as necessary to ensure that each affected employee has the requisite proficiency.

(g) An employer whose employees are exposed to MC at a multi-employer worksite shall notify the other employers with work operations at that site in accordance with the requirements of the hazard communication standard, WAC 296-62-054, as appropriate.

(h) The employer shall provide to the director, upon request, all available materials relating to employee information and training.

(13) Recordkeeping.

(a) Objective data.

(i) Where an employer seeks to demonstrate that initial monitoring is unnecessary through reasonable reliance on objective data showing that any materials in the workplace containing MC will not release MC at levels which exceed the action level or the STEL under foreseeable conditions of exposure, the employer shall establish and maintain an accurate record of the objective data relied upon in support of the exemption.

(ii) This record shall include at least the following information:

(A) The MC-containing material in question;

(B) The source of the objective data;

(C) The testing protocol, results of testing, and/or analysis of the material for the release of MC;

(D) A description of the operation exempted under subsection (4)(b)(i) of this section and how the data support the exemption; and

(E) Other data relevant to the operations, materials, processing, or employee exposures covered by the exemption.

(iii) The employer shall maintain this record for the duration of the employer's reliance upon such objective data.

(b) Exposure measurements.

(i) The employer shall establish and keep an accurate record of all measurements taken to monitor employee exposure to MC as prescribed in subsection (4) of this section.

(ii) Where the employer has 20 or more employees, this record shall include at least the following information:

(A) The date of measurement for each sample taken;

(B) The operation involving exposure to MC which is being monitored;

(C) Sampling and analytical methods used and evidence of their accuracy;

(D) Number, duration, and results of samples taken;

(E) Type of personal protective equipment, such as respiratory protective devices, worn, if any; and

(F) Name, Social Security number, job classification and exposure of all of the employees represented by monitoring, indicating which employees were actually monitored.

(iii) Where the employer has fewer than 20 employees, the record shall include at least the following information:

(A) The date of measurement for each sample taken;

(B) Number, duration, and results of samples taken; and

(C) Name, Social Security number, job classification and exposure of all of the employees represented by monitoring, indicating which employees were actually monitored.

(iv) The employer shall maintain this record for at least thirty (30) years, in accordance with WAC 296-62-052.

(c) Medical surveillance.

(i) The employer shall establish and maintain an accurate record for each employee subject to medical surveillance under subsection (10) of this section.

(ii) The record shall include at least the following information:

(A) The name, Social Security number and description of the duties of the employee;

(B) Written medical opinions; and

(C) Any employee medical conditions related to exposure to MC.

(iii) The employer shall ensure that this record is maintained for the duration of employment plus thirty (30) years, in accordance with WAC 296-62-052.

(d) Availability.

(i) The employer, upon written request, shall make all records required to be maintained by this section available to the director for examination and copying in accordance with WAC 296-62-052.

(Note to subsection (13)(d)(i) of this section: All records required to be maintained by this section may be kept in the most administratively convenient form (for example, electronic or computer records would satisfy this requirement).)

(ii) The employer, upon request, shall make any employee exposure and objective data records required by this section available for examination and copying by affected employees, former employees, and designated representatives in accordance with WAC 296-62-052.

(iii) The employer, upon request, shall make employee medical records required to be kept by this section available for examination and copying by the subject employee and by anyone having the specific written consent of the subject employee in accordance with WAC 296-62-052.

(e) Transfer of records. The employer shall comply with the requirements concerning transfer of records set forth in WAC 296-62-05215.

(14) Dates.

(a) Effective date. This section shall become effective December 1, 1997.

(b) Start-up dates.

(i) Initial monitoring required by subsection (4)(b) of this section shall be completed according to the following schedule:

(A) For employers with fewer than 20 employees, no later than February 4, 1998.

(B) Immediately for all other employers.

(ii) Engineering controls required under subsection (6)(a) of this section shall be implemented according to the following schedule:

(A) For employers with fewer than 20 employees, no later than April 10, 2000.

(B) For polyurethane foam manufacturers with 20 to 99 employees, no later than April 10, 1999.

(C) For all other employers, no later than April 10, 1998.

(iii) All other requirements of this section shall be complied with according to the following schedule:

(A) For employers with fewer than 20 employees, no later than April 10, 1998.

(B) For polyurethane foam manufacturers with 20 to 99 employees, no later than January 5, 1998.

(C) For all other employers, on the effective date.

(c) Transitional dates. The exposure limits for MC specified in WAC 296-62-07515 Table 1, shall remain in effect until the start-up dates for the exposure limits specified in subsection (14) of this section, or if the exposure limits in this section are stayed or vacated.

(15) Appendices. The information contained in the appendices does not, by itself, create any additional obligations not otherwise imposed or detract from any existing obligation.

NEW SECTION

WAC 296-62-07473 Appendix A. Substance Safety Data Sheet and Technical Guidelines for Methylene Chloride

I. Substance Identification

A. Substance: Methylene chloride (CH₂Cl₂).

B. Synonyms: MC, Dichloromethane (DCM); Methylene dichloride; Methylene bichloride; Methane dichloride; CAS: 75-09-2; NCI-C50102.

C. Physical data:

1. Molecular weight: 84.9.

2. Boiling point (760 mm Hg): 39.8 deg.C (104 deg.F).

3. Specific gravity (water=1): 1.3.

4. Vapor density (air=1 at boiling point): 2.9.

5. Vapor pressure at 20 deg. C (68 deg. F): 350 mm Hg.

6. Solubility in water, g/100 g water at 20 deg. C (68 deg. F)=1.32.

7. Appearance and odor: colorless liquid with a chloroform-like odor.

D. Uses: MC is used as a solvent, especially where high volatility is required. It is a good solvent for oils, fats, waxes, resins, bitumen, rubber and cellulose acetate and is a useful paint stripper and degreaser. It is used in paint removers, in propellant mixtures for aerosol containers, as a solvent for plastics, as a degreasing agent, as an extracting agent in the pharmaceutical industry and as a blowing agent in polyurethane foams. Its solvent property is sometimes increased by mixing with methanol, petroleum naphtha or tetrachloroethylene.

E. Appearance and odor: MC is a clear colorless liquid with a chloroform-like odor. It is slightly soluble in water and completely miscible with most organic solvents.

F. Permissible exposure: Exposure may not exceed 25 parts MC per million parts of air (25 ppm) as an eight-hour time-weighted average (8-hour TWA PEL) or 125 parts of

Permanent

PERMANENT

MC per million parts of air (125 ppm) averaged over a 15-minute period (STEL).

II. Health Hazard Data

A. MC can affect the body if it is inhaled or if the liquid comes in contact with the eyes or skin. It can also affect the body if it is swallowed.

B. Effects of overexposure:

1. Short-term Exposure: MC is an anesthetic. Inhaling the vapor may cause mental confusion, light-headedness, nausea, vomiting, and headache. Continued exposure may cause increased light-headedness, staggering, unconsciousness, and even death. High vapor concentrations may also cause irritation of the eyes and respiratory tract. Exposure to MC may make the symptoms of angina (chest pains) worse. Skin exposure to liquid MC may cause irritation. If liquid MC remains on the skin, it may cause skin burns. Splashes of the liquid into the eyes may cause irritation.

2. Long-term (chronic) exposure: The best evidence that MC causes cancer is from laboratory studies in which rats, mice and hamsters inhaled MC 6 hours per day, 5 days per week for 2 years. MC exposure produced lung and liver tumors in mice and mammary tumors in rats. No carcinogenic effects of MC were found in hamsters. There are also some human epidemiological studies which show an association between occupational exposure to MC and increases in biliary (bile duct) cancer and a type of brain cancer. Other epidemiological studies have not observed a relationship between MC exposure and cancer. WISHA interprets these results to mean that there is suggestive (but not absolute) evidence that MC is a human carcinogen.

C. Reporting signs and symptoms: You should inform your employer if you develop any signs or symptoms and suspect that they are caused by exposure to MC.

D. Warning Properties:

1. Odor Threshold: Different authors have reported varying odor thresholds for MC. Kirk-Othmer and Sax both reported 25 to 50 ppm; Summer and May both reported 150 ppm; Spector reports 320 ppm. Patty, however, states that since one can become adapted to the odor, MC should not be considered to have adequate warning properties.

2. Eye Irritation Level: Kirk-Othmer reports that "MC vapor is seriously damaging to the eyes." Sax agrees with Kirk-Othmer's statement. The ACGIH Documentation of TLVs states that irritation of the eyes has been observed in workers exposed to concentrations up to 5000 ppm.

3. Evaluation of Warning Properties: Since a wide range of MC odor thresholds are reported (25-320 ppm), and human adaptation to the odor occurs, MC is considered to be a material with poor warning properties.

III. Emergency First Aid Procedures

In the event of emergency, institute first aid procedures and send for first aid or medical assistance.

A. Eye and Skin Exposures: If there is a potential for liquid MC to come in contact with eye or skin, face shields and skin protective equipment must be provided and used. If liquid MC comes in contact with the eye, get medical attention. Contact lenses should not be worn when working with this chemical.

B. Breathing: If a person breathes in large amounts of MC, move the exposed person to fresh air at once. If breathing has stopped, perform cardiopulmonary resuscitation. Keep the affected person warm and at rest. Get medical attention as soon as possible.

C. Rescue: Move the affected person from the hazardous exposure immediately. If the exposed person has been overcome, notify someone else and put into effect the established emergency rescue procedures. Understand the facility's emergency rescue procedures and know the locations of rescue equipment before the need arises. Do not become a casualty yourself.

IV. Respirators, Protective Clothing, and Eye Protection

A. Respirators: Good industrial hygiene practices recommend that engineering controls be used to reduce environmental concentrations to the permissible exposure level. However, there are some exceptions where respirators may be used to control exposure. Respirators may be used when engineering and work practice controls are not feasible, when such controls are in the process of being installed, or when these controls fail and need to be supplemented. Respirators may also be used for operations which require entry into tanks or closed vessels, and in emergency situations. If the use of respirators is necessary, the only respirators permitted are those that have been approved by the National Institute for Occupational Safety and Health (NIOSH). Supplied-air respirators are required because air-purifying respirators do not provide adequate respiratory protection against MC. In addition to respirator selection, a complete written respiratory protection program should be instituted which includes regular training, maintenance, inspection, cleaning, and evaluation. If you can smell MC while wearing a respirator, proceed immediately to fresh air. If you experience difficulty in breathing while wearing a respirator, tell your employer.

B. Protective Clothing: Employees must be provided with and required to use impervious clothing, gloves, face shields (eight-inch minimum), and other appropriate protective clothing necessary to prevent repeated or prolonged skin contact with liquid MC or contact with vessels containing liquid MC. Any clothing which becomes wet with liquid MC should be removed immediately and not reworn until the employer has ensured that the protective clothing is fit for reuse. Contaminated protective clothing should be placed in a regulated area designated by the employer for removal of MC before the clothing is laundered or disposed of. Clothing and equipment should remain in the regulated area until all of the MC contamination has evaporated; clothing and equipment should then be laundered or disposed of as appropriate.

C. Eye Protection: Employees should be provided with and required to use splash-proof safety goggles where liquid MC may contact the eyes.

V. Housekeeping and Hygiene Facilities

For purposes of complying with WAC 296-24-120, the following items should be emphasized:

A. The workplace should be kept clean, orderly, and in a sanitary condition. The employer should institute a leak and spill detection program for operations involving liquid MC in order to detect sources of fugitive MC emissions.

B. Emergency drench showers and eyewash facilities are recommended. These should be maintained in a sanitary condition. Suitable cleansing agents should also be provided to assure the effective removal of MC from the skin.

C. Because of the hazardous nature of MC, contaminated protective clothing should be placed in a regulated area designated by the employer for removal of MC before the clothing is laundered or disposed of.

VI. Precautions for Safe Use, Handling, and Storage

A. Fire and Explosion Hazards: MC has no flash point in a conventional closed tester, but it forms flammable vapor-air mixtures at approximately 100 deg.C (212 deg.F), or higher. It has a lower explosion limit of 12%, and an upper explosion limit of 19% in air. It has an autoignition temperature of 556.1 deg.C (1033 deg.F), and a boiling point of 39.8 deg.C (104 deg.F). It is heavier than water with a specific gravity of 1.3. It is slightly soluble in water.

B. Reactivity Hazards: Conditions contributing to the instability of MC are heat and moisture. Contact with strong oxidizers, caustics, and chemically active metals such as aluminum or magnesium powder, sodium and potassium may cause fires and explosions. Special precautions: Liquid MC will attack some forms of plastics, rubber, and coatings.

C. Toxicity: Liquid MC is painful and irritating if splashed in the eyes or if confined on the skin by gloves, clothing, or shoes. Vapors in high concentrations may cause narcosis and death. Prolonged exposure to vapors may cause cancer or exacerbate cardiac disease.

D. Storage: Protect against physical damage. Because of its corrosive properties, and its high vapor pressure, MC should be stored in plain, galvanized or lead lined, mild steel containers in a cool, dry, well ventilated area away from direct sunlight, heat source and acute fire hazards.

E. Piping Material: All piping and valves at the loading or unloading station should be of material that is resistant to MC and should be carefully inspected prior to connection to the transport vehicle and periodically during the operation.

F. Usual Shipping Containers: Glass bottles, 5- and 55-gallon steel drums, tank cars, and tank trucks.

Note: This section addresses MC exposure in marine terminal and longshore employment only where leaking or broken packages allow MC exposure that is not addressed through compliance with WAC 296-56.

G. Electrical Equipment: Electrical installations in Class I hazardous locations as defined in Article 500 of the National Electrical Code, should be installed according to Article 501 of the code; and electrical equipment should be suitable for use in atmospheres containing MC vapors. See Flammable and Combustible Liquids Code (NFPA No. 325M), Chemical Safety Data Sheet SD-86 (Manufacturing Chemists' Association, Inc.).

H. Fire Fighting: When involved in fire, MC emits highly toxic and irritating fumes such as phosgene, hydrogen chloride and carbon monoxide. Wear breathing apparatus and use water spray to keep fire-exposed containers cool. Water spray may be used to flush spills away from exposures. Extinguishing media are dry chemical, carbon dioxide, foam. For purposes of compliance with WAC 296-24-956, locations classified as hazardous due to the presence of MC shall be Class I.

I. Spills and Leaks: Persons not wearing protective equipment and clothing should be restricted from areas of spills or leaks until cleanup has been completed. If MC has spilled or leaked, the following steps should be taken:

1. Remove all ignition sources.
2. Ventilate area of spill or leak.
3. Collect for reclamation or absorb in vermiculite, dry sand, earth, or a similar material.

J. Methods of Waste Disposal: Small spills should be absorbed onto sand and taken to a safe area for atmospheric

evaporation. Incineration is the preferred method for disposal of large quantities by mixing with a combustible solvent and spraying into an incinerator equipped with acid scrubbers to remove hydrogen chloride gases formed. Complete combustion will convert carbon monoxide to carbon dioxide. Care should be taken for the presence of phosgene.

K. You should not keep food, beverage, or smoking materials, or eat or smoke in regulated areas where MC concentrations are above the permissible exposure limits.

L. Portable heating units should not be used in confined areas where MC is used.

M. Ask your supervisor where MC is used in your work area and for any additional plant safety and health rules.

VII. Medical Requirements

Your employer is required to offer you the opportunity to participate in a medical surveillance program if you are exposed to MC at concentrations at or above the action level (12.5 ppm 8-hour TWA) for more than 30 days a year or at concentrations exceeding the PELs (25 ppm 8-hour TWA or 125 ppm 15-minute STEL) for more than 10 days a year. If you are exposed to MC at concentrations over either of the PELs, your employer will also be required to have a physician or other licensed health care professional ensure that you are able to wear the respirator that you are assigned. Your employer must provide all medical examinations relating to your MC exposure at a reasonable time and place and at no cost to you.

VIII. Monitoring and Measurement Procedures

A. Exposure above the Permissible Exposure Limit:

1. Eight-hour exposure evaluation: Measurements taken for the purpose of determining employee exposure under this section are best taken with consecutive samples covering the full shift. Air samples must be taken in the employee's breathing zone.

2. Monitoring techniques: The sampling and analysis under this section may be performed by collection of the MC vapor on two charcoal adsorption tubes in series or other composition adsorption tubes, with subsequent chemical analysis. Sampling and analysis may also be performed by instruments such as real-time continuous monitoring systems, portable direct reading instruments, or passive dosimeters as long as measurements taken using these methods accurately evaluate the concentration of MC in employees' breathing zones. OSHA method 80 is an example of a validated method of sampling and analysis of MC. Copies of this method are available from OSHA or can be downloaded from the Internet at <http://www.osha.gov>. The employer has the obligation of selecting a monitoring method which meets the accuracy and precision requirements of the standard under his or her unique field conditions. The standard requires that the method of monitoring must be accurate, to a 95 percent confidence level, to plus or minus 25 percent for concentrations of MC at or above 25 ppm, and to plus or minus 35 percent for concentrations at or below 25 ppm. In addition to OSHA method 80, there are numerous other methods available for monitoring for MC in the workplace.

B. Since many of the duties relating to employee exposure are dependent on the results of measurement procedures, employers must assure that the evaluation of employee exposure is performed by a technically qualified person.

IX. Observation of Monitoring

Your employer is required to perform measurements that are representative of your exposure to MC and you or your designated representative are entitled to observe the monitoring procedure. You are entitled to observe the steps taken in the measurement procedure, and to record the results obtained. When the monitoring procedure is taking place in an area where respirators or personal protective clothing and equipment are required to be worn, you or your representative must also be provided with, and must wear, protective clothing and equipment.

Access To Information

A. Your employer is required to inform you of the information contained in this Appendix. In addition, your employer must instruct you in the proper work practices for using MC, emergency procedures, and the correct use of protective equipment.

B. Your employer is required to determine whether you are being exposed to MC. You or your representative has the right to observe employee measurements and to record the results obtained. Your employer is required to inform you of your exposure. If your employer determines that you are being over exposed, he or she is required to inform you of the actions which are being taken to reduce your exposure to within permissible exposure limits.

C. Your employer is required to keep records of your exposures and medical examinations. These records must be kept by the employer for at least thirty (30) years.

D. Your employer is required to release your exposure and medical records to you or your representative upon your request.

E. Your employer is required to provide labels and material safety data sheets (MSDS) for all materials, mixtures or solutions composed of greater than 0.1 percent MC. An example of a label that would satisfy these requirements would be:

Danger Contains Methylene Chloride

Potential Cancer Hazard

May worsen heart disease because methylene chloride is converted to carbon monoxide in the body.

May cause dizziness, headache, irritation of the throat and lungs, loss of consciousness and death at high concentrations (for example, if used in a poorly ventilated room).

Avoid Skin Contact. Contact with liquid causes skin and eye irritation.

X. Common Operations and Controls

The following list includes some common operations in which exposure to MC may occur and control methods which may be effective in each case:

Operations

Controls

Use as solvent in paint and varnish removers cold cleaning and ultrasonic cleaning, and as a solvent in furniture stripping.

General dilution ventilation; local; manufacture of aerosols; cold cleaning exhaust ventilation; personal protective equipment; substitution.

Use as solvent in vapor degreasing.

Process enclosure; local exhaust ventilation; chilling coils; substitution.

Use as a secondary refrigerant in air scientific testing.

General dilution ventilation; local conditioning and exhaust ventilation; personal protective equipment.

NEW SECTION

WAC 296-62-07475 Appendix B. Medical Surveillance for Methylene Chloride

I. Primary Route of Entry Inhalation.

II. Toxicology.

Methylene Chloride (MC) is primarily an inhalation hazard. The principal acute hazardous effects are the depressant action on the central nervous system, possible cardiac toxicity and possible liver toxicity. The range of CNS effects are from decreased eye/hand coordination and decreased performance in vigilance tasks to narcosis and even death of individuals exposed at very high doses. Cardiac toxicity is due to the metabolism of MC to carbon monoxide, and the effects of carbon monoxide on heart tissue. Carbon monoxide displaces oxygen in the blood, decreases the oxygen available to heart tissue, increasing the risk of damage to the heart, which may result in heart attacks in susceptible individuals. Susceptible individuals

include persons with heart disease and those with risk factors for heart disease. Elevated liver enzymes and irritation to the respiratory passages and eyes have also been reported for both humans and experimental animals exposed to MC vapors.

MC is metabolized to carbon monoxide and carbon dioxide via two separate pathways. Through the first pathway, MC is metabolized to carbon monoxide as an end-product via the P-450 mixed function oxidase pathway located in the microsomal fraction of the cell. This biotransformation of MC to carbon monoxide occurs through the process of microsomal oxidative dechlorination which takes place primarily in the liver. The amount of conversion to carbon monoxide is significant as measured by the concentration of carboxyhemoglobin, up to 12% measured in the blood following occupational exposure of up to 610 ppm. Through the second pathway, MC is metabolized to carbon dioxide as an end product (with formaldehyde and formic

PERMANENT

acid as metabolic intermediates) via the glutathione dependent enzyme found in the cytosolic fraction of the liver cell. Metabolites along this pathway are believed to be associated with the carcinogenic activity of MC.

MC has been tested for carcinogenicity in several laboratory rodents. These rodent studies indicate that there is clear evidence that MC is carcinogenic to male and female mice and female rats. Based on epidemiologic studies, OSHA has concluded that there is suggestive evidence of increased cancer risk in MC-related worker populations. The epidemiological evidence is consistent with the finding of excess cancer in the experimental animal studies. NIOSH regards MC as a potential occupational carcinogen and the International Agency for Research Cancer (IARC) classifies MC as an animal carcinogen. OSHA considers MC as a suspected human carcinogen.

III. Medical Signs and Symptoms of Acute Exposure
Skin exposure to liquid MC may cause irritation or skin burns. Liquid MC can also be irritating to the eyes. MC is also absorbed through the skin and may contribute to the MC exposure by inhalation. At high concentrations in air, MC may cause nausea, vomiting, light-headedness, numbness of the extremities, changes in blood enzyme levels, and breathing problems, leading to bronchitis and pulmonary edema, unconsciousness and even death.

At lower concentrations in air, MC may cause irritation to the skin, eye, and respiratory tract and occasionally headache and nausea. Perhaps the greatest problem from exposure to low concentrations of MC is the CNS effects on coordination and alertness that may cause unsafe operations of machinery and equipment, leading to self-injury or accidents. Low levels and short duration exposures do not seem to produce permanent disability, but chronic exposures to MC have been demonstrated to produce liver toxicity in animals, and therefore, the evidence is suggestive for liver toxicity in humans after chronic exposure. Chronic exposure to MC may also cause cancer.

IV. Surveillance and Preventive Considerations
As discussed above, MC is classified as a suspect or potential human carcinogen. It is a central nervous system (CNS) depressant and a skin, eye and respiratory tract irritant. At extremely high concentrations, MC has caused liver damage in animals. MC principally affects the CNS, where it acts as a narcotic. The observation of the symptoms characteristic of CNS depression, along with a physical examination, provides the best detection of early neurological disorders. Since exposure to MC also increases the carboxyhemoglobin level in the blood, ambient carbon monoxide levels would have an additive effect on that carboxyhemoglobin level. Based on such information, a periodic post-shift carboxyhemoglobin test as an index of the presence of carbon monoxide in the blood is recommended, but not required, for medical surveillance.

Based on the animal evidence and three epidemiologic studies previously mentioned, OSHA concludes that MC is a suspect human carcinogen. The medical surveillance program is designed to observe exposed workers on a regular basis. While the medical surveillance program cannot detect MC-induced cancer at a preneoplastic stage, OSHA anticipates that, as in the past, early detection and treatments of cancers leading to enhanced survival rates will continue to evolve.

A. Medical and Occupational History:

The medical and occupational work history plays an important role in the initial evaluation of workers exposed to MC. It is therefore extremely important for the examining physician or other licensed health care professional to evaluate the MC-exposed worker carefully and completely and to focus the examination on MC's potentially associated health hazards. The medical evaluation must include an annual detailed work and medical history with special emphasis on cardiac history and neurological symptoms.

An important goal of the medical history is to elicit information from the worker regarding potential signs or symptoms associated with increased levels of carboxyhemoglobin due to the presence of carbon monoxide in the blood. Physicians or other licensed health care professionals should ensure that the smoking history of all MC exposed employees is known. Exposure to MC may cause a significant increase in carboxyhemoglobin level in all exposed persons. However, smokers as well as workers with anemia or heart disease and those concurrently exposed to carbon monoxide are at especially high risk of toxic effects because of an already reduced oxygen carrying capacity of the blood.

A comprehensive or interim medical and work history should also include occurrence of headache, dizziness, fatigue, chest pain, shortness of breath, pain in the limbs, and irritation of the skin and eyes. In addition, it is important for the physician or other licensed health care professional to become familiar with the operating conditions in which exposure to MC is likely to occur. The physician or other licensed health care professional also must become familiar with the signs and symptoms that may indicate that a worker is receiving otherwise unrecognized and exceptionally high exposure levels of MC.

An example of a medical and work history that would satisfy the requirement for a comprehensive or interim work history is represented by the following:

The following is a list of recommended questions and issues for the self-administered questionnaire for methylene chloride exposure.

Questionnaire For Methylene Chloride Exposure

I. Demographic Information

1. Name _____
2. Social Security Number _____
3. Date _____
4. Date of Birth _____
5. Age _____
6. Present occupation _____
7. Sex _____
8. Race _____

II. Occupational History

1. Have you ever worked with methylene chloride, dichloromethane, methylene dichloride, or CH₂Cl₂ (all are different names for the same chemical)? Please list which on the occupational history form if you have not already.

2. If you have worked in any of the following industries and have not listed them on the occupational history form, please do so.

- Furniture stripping _____
- Polyurethane foam manufacturing _____
- Chemical manufacturing or formulation _____
- Pharmaceutical manufacturing _____
- Any industry in which you used solvents to clean and degrease equipment or parts _____
- Construction, especially painting and refinishing _____

Aerosol manufacturing _____

Any industry in which you used aerosol adhesives

3. If you have not listed hobbies or household projects on the occupational history form, especially furniture refinishing, spray painting, or paint stripping, please do so.

III. Medical History

A. General

1. Do you consider yourself to be in good health? If no, state reason(s).

2. Do you or have you ever had:

- Persistent thirst
- Frequent urination (three times or more at night)
- Dermatitis or irritated skin
- Nonhealing wounds

3. What prescription or nonprescription medications do you take, and for what reasons?

4. Are you allergic to any medications, and what type of reaction do you have?

B. Respiratory

1. Do you have or have you ever had any chest illnesses or diseases? Explain.

2. Do you have or have you ever had any of the following:

- Asthma
- Wheezing
- Shortness of breath

3. Have you ever had an abnormal chest X-ray? If so, when, where, and what were the findings?

4. Have you ever had difficulty using a respirator or breathing apparatus? Explain.

5. Do any chest or lung diseases run in your family? Explain.

6. Have you ever smoked cigarettes, cigars, or a pipe? Age started:

7. Do you now smoke?

8. If you have stopped smoking completely, how old were you when you stopped?

9. On the average of the entire time you smoked, how many packs of cigarettes, cigars, or bowls of tobacco did you smoke per day?

C. Cardiovascular

1. Have you ever been diagnosed with any of the following:

Which of the following apply to you now or did apply to you at some time in the past, even if the problem is controlled by medication? Please explain any yes answers (i.e., when problem was diagnosed, length of time on medication).

- High cholesterol or triglyceride level
- Hypertension (high blood pressure)
- Diabetes
- Family history of heart attack, stroke, or blocked arteries

2. Have you ever had chest pain? If so, answer the next five questions.

- What was the quality of the pain (i.e., crushing, stabbing, squeezing)?
- Did the pain go anywhere (i.e., into jaw, left arm)?
- What brought the pain out?
- How long did it last?
- What made the pain go away?

3. Have you ever had heart disease, a heart attack, stroke, aneurysm, or blocked arteries anywhere in your body? Explain (when, treatment).

4. Have you ever had bypass surgery for blocked arteries in your heart or anywhere else? Explain.

5. Have you ever had any other procedures done to open up a blocked artery (balloon angioplasty, carotid endarterectomy, clot-dissolving drug)?

6. Do you have or have you ever had (explain each):

- Heart murmur
- Irregular heartbeat
- Shortness of breath while lying flat
- Congestive heart failure
- Ankle swelling
- Recurrent pain anywhere below the waist while walking

7. Have you ever had an electrocardiogram (EKG)? When?

8. Have you ever had an abnormal EKG? If so, when, where, and what were the findings?

9. Do any heart diseases, high blood pressure, diabetes, high cholesterol, or high triglycerides run in your family? Explain.

D. Hepatobiliary and Pancreas

1. Do you now or have you ever drunk alcoholic beverages? Age started: _____ Age stopped: _____.

2. Average numbers per week:

a. Beers: _____, ounces in usual container: b. Glasses of wine: _____, ounces per glass: c. Drinks: _____, ounces in usual container:

3. Do you have or have you ever had (explain each):

a. Hepatitis (infectious, autoimmune, drug-induced, or chemical)

b. Jaundice

c. Elevated liver enzymes or elevated bilirubin

d. Liver disease or cancer

E. Central Nervous System

1. Do you or have you ever had (explain each):

- Headache
- Dizziness
- Fainting
- Loss of consciousness
- Garbled speech
- Lack of balance
- Mental/psychiatric illness
- Forgetfulness

F. Hematologic

1. Do you have, or have you ever had (explain each):

- Anemia
- Sickle cell disease or trait
- Glucose-6-phosphate dehydrogenase deficiency
- Bleeding tendency disorder

2. If not already mentioned previously, have you ever had a reaction to sulfa drugs or to drugs used to prevent or treat malaria? What was the drug? Describe the reaction.

B. Physical Examination

The complete physical examination, when coupled with the medical and occupational history, assists the physician or other licensed health care professional in detecting pre-existing conditions that might place the employee at increased risk, and establishes a baseline for future health monitoring. These examinations should include:

1. Clinical impressions of the nervous system, cardiovascular function and pulmonary function, with additional tests conducted where indicated or determined by the examining physician or other licensed health care professional to be necessary.

2. An evaluation of the advisability of the worker using a respirator, because the use of certain respirators places an additional burden on the cardiopulmonary system. It is necessary for the attending physician or other licensed health care professional to evaluate the cardiopulmonary function of these workers, in order to inform the employer in a written medical opinion of the worker's ability or fitness to work in an area requiring the use of certain types of respiratory protective equipment. The presence of facial hair or scars that might interfere with the worker's ability to wear certain types of respirators should also be noted during the examination and in the written medical opinion.

Because of the importance of lung function to workers required to wear certain types of respirators to protect themselves from MC exposure, these workers must receive an assessment of pulmonary function before they begin to wear a negative pressure respirator and at least annually thereafter. The recommended pulmonary function tests include measurement of the employee's forced vital capacity (FVC), forced expiratory volume at one second (FEV1), as well as calculation of the ratios of FEV1 to FVC, and the ratios of measured FVC and measured FEV1 to expected respective values corrected for variation due to age, sex, race, and height. Pulmonary function evaluation must be conducted by a physician or other licensed health care professional experienced in pulmonary function tests.

The following is a summary of the elements of a physical exam which would fulfill the requirements under the MC standard:

Physical Exam

I. Skin and appendages

1. Irritated or broken skin 2. Jaundice 3. Clubbing cyanosis, edema 4. Capillary refill time 5. Pallor

II. Head

1. Facial deformities 2. Scars 3. Hair growth

III. Eyes

1. Scleral icterus 2. Corneal arcus 3. Pupillary size and response 4. Fundoscopic exam

IV. Chest

1. Standard exam

V. Heart

1. Standard exam 2. Jugular vein distension 3.

Peripheral pulses

VI. Abdomen

1. Liver span

VII. Nervous System

1. Complete standard neurologic exam

VIII. Laboratory

1. Hemoglobin and hematocrit 2. Alanine aminotransferase (ALT, SGPT) 3. Post-shift carboxyhemoglobin

I. Studies

1. Pulmonary function testing

2. Electrocardiogram

An evaluation of the oxygen carrying capacity of the blood of employees (for example by measured red blood cell volume) is considered useful, especially for workers acutely exposed to MC. It is also recommended, but not required, that end of shift carboxyhemoglobin levels be determined

periodically, and any level above 3% for nonsmokers and above 10% for smokers should prompt an investigation of the worker and his workplace. This test is recommended because MC is metabolized to CO, which combines strongly with hemoglobin, resulting in a reduced capacity of the blood to transport oxygen in the body. This is of particular concern for cigarette smokers because they already have a diminished hemoglobin capacity due to the presence of CO in cigarette smoke.

C. Additional Examinations and Referrals

1. Examination by a Specialist

When a worker examination reveals unexplained symptoms or signs (i.e. in the physical examination or in the laboratory tests), follow-up medical examinations are necessary to assure that MC exposure is not adversely affecting the worker's health. When the examining physician or other licensed health care professional finds it necessary, additional tests should be included to determine the nature of the medical problem and the underlying cause. Where relevant, the worker should be sent to a specialist for further testing and treatment as deemed necessary. The final rule requires additional investigations to be covered and it also permits physicians or other licensed health care professionals to add appropriate or necessary tests to improve the diagnosis of disease should such tests become available in the future.

2. Emergencies

The examination of workers exposed to MC in an emergency should be directed at the organ systems most likely to be affected. If the worker has received a severe acute exposure, hospitalization may be required to assure proper medical intervention. It is not possible to precisely define "severe," but the physician or other licensed health care professional's judgment should not merely rest on hospitalization. If the worker has suffered significant conjunctival, oral, or nasal irritation, respiratory distress, or discomfort, the physician or other licensed health care professional should instigate appropriate follow-up procedures. These include attention to the eyes, lungs and the neurological system. The frequency of follow-up examinations should be determined by the attending physician or other licensed health care professional. This testing permits the early identification essential to proper medical management of such workers.

D. Employer Obligations

The employer is required to provide the responsible physician or other licensed health care professional and any specialists involved in a diagnosis with the following information: a copy of the MC standard including relevant appendices, a description of the affected employee's duties as they relate to his or her exposure to MC; an estimate of the employee's exposure including duration (e.g., 15hr/wk, three 8-hour shifts/wk, full time); a description of any personal protective equipment used by the employee, including respirators; and the results of any previous medical determinations for the affected employee related to MC exposure to the extent that this information is within the employer's control.

E. Physicians' or Other Licensed Health Care Professionals' Obligations

The standard requires the employer to ensure that the physician or other licensed health care professional provides a written statement to the employee and the employer. This statement should contain the physician's or licensed health

care professional's opinion as to whether the employee has any medical condition placing him or her at increased risk of impaired health from exposure to MC or use of respirators, as appropriate. The physician or other licensed health care professional should also state his or her opinion regarding any restrictions that should be placed on the employee's exposure to MC or upon the use of protective clothing or equipment such as respirators. If the employee wears a respirator as a result of his or her exposure to MC, the physician or other licensed health care professional's opinion should also contain a statement regarding the suitability of the employee to wear the type of respirator assigned.

Furthermore, the employee should be informed by the physician or other licensed health care professional about the cancer risk of MC and about risk factors for heart disease, and the potential for exacerbation of underlying heart disease by exposure to MC through its metabolism to carbon monoxide. Finally, the physician or other licensed health care professional should inform the employer that the employee has been told the results of the medical examination and of any medical conditions which require further explanation or treatment. This written opinion must not contain any information on specific findings or diagnosis unrelated to employee's occupational exposures.

The purpose in requiring the examining physician or other licensed health care professional to supply the employer with a written opinion is to provide the employer with a medical basis to assist the employer in placing employees initially, in assuring that their health is not being impaired by exposure to MC, and to assess the employee's ability to use any required protective equipment.

NEW SECTION

WAC 296-62-07477 Appendix C.

Questions and Answers

Methylene Chloride Control in Furniture Stripping (Adapted from NIOSH publication No. 93-133)

Introduction

This appendix answers commonly asked questions about the hazards from exposure to methylene chloride. It also describes approaches to controlling methylene chloride exposure during the most common furniture stripping processes. Although these approaches were developed and field tested by the National Institute of Occupational Safety and Health, each setting requires custom installation because of the different air flow interferences at each site.

1. What is the Stripping Solution Base?

The most common active ingredient in paint removers is a chemical called methylene chloride. Methylene chloride is present in the paint remover to penetrate, blister, and finally lift the old finish. Other chemicals in paint removers work to accelerate the stripping process, to retard evaporation, and to act as thickening agents. These other ingredients may include: methanol, toluene, acetone, or paraffin.¹

2. Is Methylene Chloride Bad for Me?

Exposure to methylene chloride may cause short-term health effects or long-term health effects.

Short-Term (Acute) Health Effects

Exposure to high levels of paint removers over short periods of time can cause irritation to the skin, eyes, mucous membranes, and respiratory tracts. Other symptoms of high

exposure are dizziness, headache, and lack of coordination. The occurrence of any of these symptoms indicates that you are being exposed to high levels of methylene chloride. At the onset of any of these symptoms, you should leave the work area, get some fresh air, and determine why the levels were high.

A portion of inhaled methylene chloride is converted by the body to carbon monoxide, which can lower the blood's ability to carry oxygen. When the solvent is used properly, however, the levels of carbon monoxide should not be hazardous. Individuals with cardiovascular or pulmonary health problems should check with their physician before using the paint stripper. Individuals experiencing severe symptoms such as shortness of breath or chest pains should obtain proper medical care immediately.¹

Long-Term (Chronic) Health Effects

Methylene chloride has been shown to cause cancer in certain laboratory animal tests. The available human studies do not provide the necessary information to determine whether methylene chloride causes cancer in humans. However, as a result of the animal studies, methylene chloride is considered a potential occupational carcinogen. There is also considerable indirect evidence to suggest that workers exposed to methylene chloride may be at an increased risk of developing ischemic heart disease. Therefore, it is prudent to minimize exposure to solvent vapors.³

3. What does the Methylene Chloride Standard Require?

On January 10, 1997, the Occupational Safety and Health Administration published a new regulation for methylene chloride. The standard establishes an eight-hour time-weighted average exposure limit of 25 parts per million (ppm), as well as a short-term exposure limit of 125 ppm determined from a 15 minute sampling period. That is a reduction from the current WISHA limit of 100 ppm. The standard also sets a 12.5 ppm action level (a level that would trigger periodic exposure monitoring and medical surveillance provisions).² WISHA adopted an identical standard on [date].

The National Institute for Occupational Safety and Health recommends that methylene chloride be regarded as a "potential occupational carcinogen." NIOSH further recommends that occupational exposure to methylene chloride be controlled to the lowest feasible limit. This recommendation was based on the observation of cancers and tumors in both rats and mice exposed to methylene chloride in air.⁵

4. How Can I Be Exposed to Methylene Chloride while Stripping Furniture?

Methylene chloride can be inhaled when vapors are in the air. Inhalation of the methylene chloride vapors is generally the most important source of exposure. Methylene chloride evaporates quicker than most chemicals. The odor threshold of methylene chloride is 300 ppm.⁶ Therefore, once you smell methylene chloride, you are being over-exposed. Pouring, moving, or stirring the chemical will increase the rate of evaporation.

Methylene chloride can be absorbed through the skin either by directly touching the chemical or through your gloves. Methylene chloride can be swallowed if it gets on your hands, clothes, or beard, or if food or drinks become contaminated.

**5. How Can Breathing Exposures be Reduced?
Install a Local Exhaust Ventilation System**

Local exhaust ventilation can be used to control exposures. Local exhaust ventilation systems capture contaminated air from the source before it spreads into the workers' breathing zone.⁷ If engineering controls are not effective, only a self-contained breathing apparatus equipped with a full face piece and operated in a positive-pressure mode or a supplied-air respirator affords the level of protection. Air-purifying respirators such as gas masks with organic vapor canisters can only be used for escape situations.⁸ These gas masks are not suitable for normal work situations because methylene chloride is poorly absorbed by the canister filtering material.

A local exhaust system consists of the following: a hood, a fan, ductwork, and a replacement air system.^{9,10,11} Two processes are commonly used in furniture stripping: flow-over and dip tanks. For flow-over systems there are two common local exhaust controls for methylene chloride - a slot hood and a down draft hood. A slot hood of different design is most often used for dip tanks. (See Figures 1, 2, and 3.)

The hood is made of sheet metal and connected to the tank. All designs require a centrifugal fan to exhaust the fumes, ductwork connecting the hood and the fan, and a replacement air system to bring conditioned air into the building to replace the air exhausted.

In constructing or designing a slot or down draft hood, use the following data:

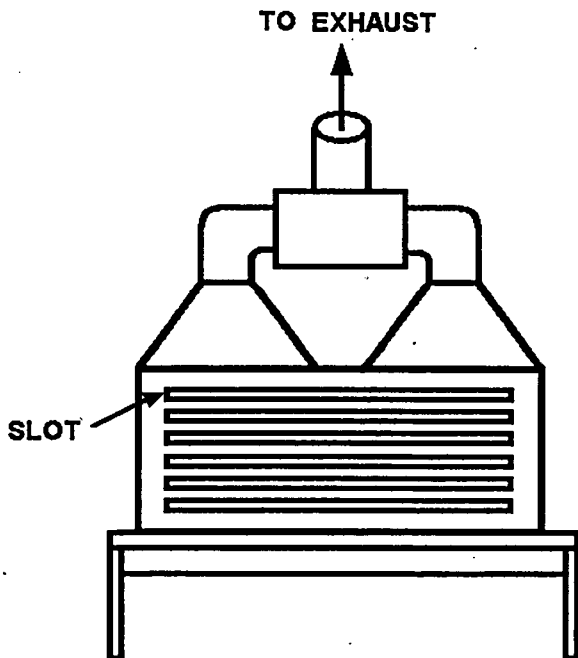


FIGURE 1 -- SLOT HOOD

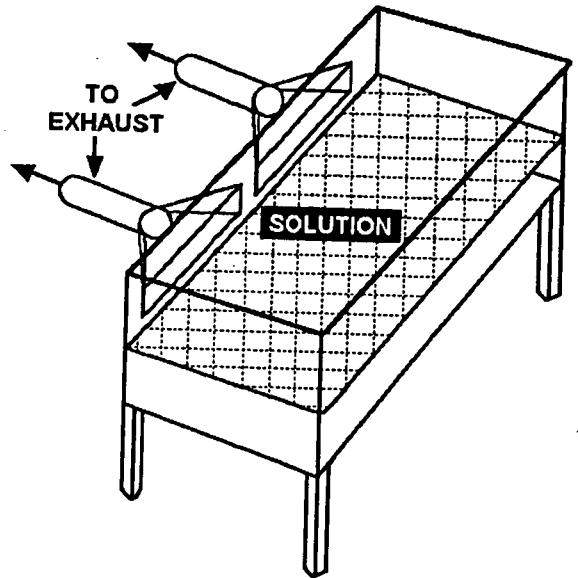


FIGURE 2 -- DOWNDRAFT HOOD

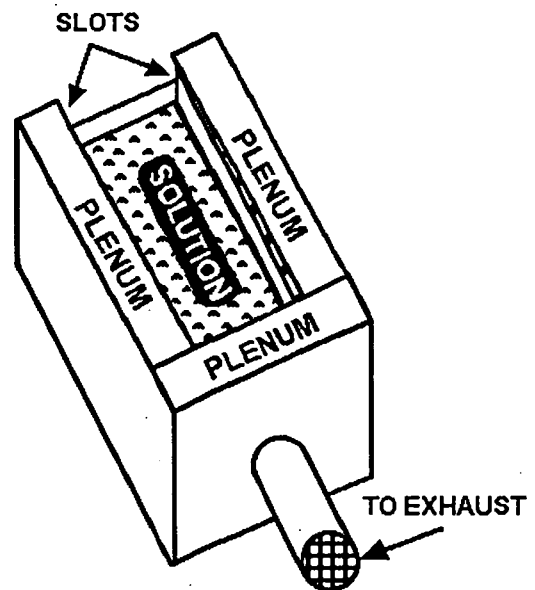


FIGURE 3 -- SLOT HOOD FOR DIP TANK

Safe Work Practices

Workers can lower exposures by decreasing their access to the methylene chloride.¹²

- 1) Turn on dip tank control system several minutes before entering the stripping area.
- 2) Avoid unnecessary transferring or moving of the stripping solution.
- 3) Keep face out of the air stream between the solution-covered furniture and the exhaust system.
- 4) Keep face out of vapor zone above the stripping solution and the dip tank.
- 5) Retrieve dropped items with a long handled tool.
- 6) Keep the solution-recycling system off when not in use. Cover reservoir for recycling system.
- 7) Cover dip tank when not in use.

8) Provide adequate ventilation for rinse area.

How Can Skin Exposures Be Reduced?

Skin exposures can be reduced by wearing gloves whenever you are in contact with the stripping solution.¹³

1) Two gloves should be worn. The inner glove should be made from polyethylene/ethylene vinyl alcohol (e.g., Silver Shield®, or 4H®). This material, however, does not provide good physical resistance against tears, so an outer glove made from nitrile or neoprene should be worn.

2) Shoulder-length gloves will be more protective.

3) Change gloves before the break-through time occurs. Rotate several pairs of gloves throughout the day. Let the gloves dry in a warm well ventilated area at least over night before reuse.

4) Keep gloves clean by rinsing often. Keep gloves in good condition. Inspect the gloves before use for pin-holes, cracks, thin spots, and stiffer than normal or sticky surfaces.

5) Wear a face shield or goggles to protect face and eyes.

6. What Other Problems Can Occur?

Stripping Solution Temperature

Most manufacturers of stripping solution recommend controlling the solution to a temperature of 70°F. This temperature is required for the wax in the solution to form a vapor barrier on top of the solution to keep the solution from evaporating too quickly. If the temperature is too high, the wax will not form the vapor barrier. If it is too cold, the wax will solidify and separate from the solvent causing increased evaporation. Use a belt heater to heat the solution to the correct temperature. Call your solution manufacturer for the correct temperature for your solution.¹⁴

Make-Up Air

Air will enter a building in an amount to equal the amount of air exhausted whether or not provision is made for this replacement. If a local exhaust system is added a make-up or replacement air system must be added to replace the air removed. Without a replacement air system, air will enter the building through cracks causing uncontrollable eddy currents. If the building perimeter is tightly sealed, it will prevent the air from entering and severely decrease the amount exhausted from the ventilation system. This will cause the building to be under negative pressure and decrease the performance of the exhaust system.¹⁵

Dilution Ventilation

With general or dilution ventilation, uncontaminated air is moved through the workroom by means of fans or open windows, which dilutes the pollutants in the air. Dilution ventilation does not provide effective protection to other workers and does not confine the methylene chloride vapors to one area.¹⁶

Phosgene Poisoning from Use of Kerosene Heaters

Do not use kerosene heaters or other open flame heaters while stripping furniture. Use of kerosene heaters in connection with methylene chloride can create lethal or dangerous concentrations of phosgene. Methylene chloride vapor is mixed with the air used for the combustion of kerosene in kerosene stoves. The vapor thus passes through the flames, coming into close contact with carbon monoxide at high temperatures. Any chlorine formed by decomposition may, under these conditions, react with carbon monoxide and form phosgene.¹⁷

REFERENCES

¹Halogenated Solvents Industry Alliance and Consumer Product Safety Commission [1990]. Stripping Paint from Wood (Pamphlet for consumers on how to strip furniture and precautions to take). Washington DC: Consumer Product Safety Commission.

²*Ibid.*

³NIOSH [1992]. NIOSH Testimony on Occupational Safety and Health Administration's proposed rule on occupational exposure to methylene chloride, September 21, 1992, OSHA Docket No. H-71. NIOSH policy statements. Cincinnati, OH: U.S. Department of Health and Human Services, Public Health Service, Centers for Disease Control, National Institute for Occupational Safety and Health.

⁴56 Fed. Reg. 57036 [1991]. Occupational Safety and Health Administration: Proposed rule on occupational exposure to methylene chloride.

⁵NIOSH [1992].

⁶Kirk, R.E. and P.F. Othmer, Eds. [1978]. Encyclopedia of Chemical Technology, 3rd Ed., Vol. 5:690. New York: John Wiley & Sons, Inc.

⁷ACGIH [1988]. Industrial Ventilation: A Manual of Recommended Practice. 20th Ed. Cincinnati, OH: American Conference of Governmental Industrial Hygienists.

⁸NIOSH [1992].

⁹Fairfield, C.L. and A.A. Beasley [1991]. In-depth Survey Report at the Association for Retarded Citizens, Meadowlands, PA. The Control of Methylene Chloride During Furniture Stripping. Cincinnati, OH: U.S. Department of Health and Human Services, Public Health Service, Centers for Disease Control, National Institute for Occupational Safety and Health.

¹⁰Fairfield, C.L. [1991]. In-depth Survey Report at the J.M. Murray Center, Cortland, NY. The Control of Methylene Chloride During Furniture Stripping. Cincinnati, OH: U.S. Department of Health and Human Services, Public Health Service, Centers for Disease Control, National Institute for Occupational Safety and Health.

¹¹Hall, R.M., K.F. Martinez, and P.A. Jensen [1992]. In-depth Survey Report at Tri-County Furniture Stripping and Refinishing, Cincinnati, OH. The Control of Methylene Chloride During Furniture Stripping. Cincinnati, OH: U.S. Department of Health and Human Services, Public Health Service, Centers for Disease Control, National Institute for Occupational Safety and Health.

¹²Fairfield, C.L. and A.A. Beasley [1991]. In-depth Survey Report at the Association for Retarded Citizens, Meadowlands, PA. The Control of Methylene Chloride During Furniture Stripping. Cincinnati, OH: U.S. Department of Health and Human Service, Centers for Disease Control, National Institute for Occupational Safety and Health.

¹³Roder, M. [1991]. Memorandum of March 11, 1991 from Michael Roder of the Division of Safety Research to Cheryl L. Fairfield of the Division of Physical Sciences and Engineering, National Institute for Occupational Safety and Health, Centers for Disease Control, Public Health Service, U.S. Department of Health and Human Services.

¹⁴Kwick Kleen Industrial Solvents, Inc., [1981]. Operations Manual, Kwick Kleen Industrial Solvents, Inc., Vincennes, IN.

¹⁵ACGIH [1988].

¹⁶*Ibid.*

¹⁷Gerritsen, W.B. and C.H. Buschmann [1960]. Phosgene Poisoning Caused by the Use of Chemical Paint Removers containing Methylene Chloride in Ill-Ventilated Rooms Heated by Kerosene Stoves. *British Journal of Industrial Medicine* 17:187.

Reviser's note: The brackets and enclosed material in the text of the above section occurred in the copy filed by the agency and appear in the Register pursuant to the requirements of RCW 34.08.040.

WSR 97-18-072
PERMANENT RULES
DEPARTMENT OF COMMUNITY,
TRADE AND ECONOMIC DEVELOPMENT
 [Filed September 2, 1997, 4:45 p.m.]

Reviser's note: This permanent filing has been rejected because it was filed earlier than the date stated as the date of adoption in the notice, WSR 97-15-106, filed on July 21, 1997. The agency will refile this permanent filing after October 1, 1997.

WSR 97-18-073
PERMANENT RULES
DEPARTMENT OF
SOCIAL AND HEALTH SERVICES
 (Economic Services Administration)
 (Public Assistance)
 [Filed September 2, 1997, 4:54 p.m.]

Date of Adoption: September 2, 1997.

Purpose: To amend existing rules in chapter 388-218 WAC to implement a gross earned income disregard of one-half of the client's monthly earned income and to disregard the earned income of a full-time student or to a part-time student carrying at least half the normal school load and working fewer than thirty-five hours per week. Implementation of the 50% earned income disregard replaces the \$30 and 1/3 and \$30 income disregards.

Citation of Existing Rules Affected by this Order: Repealing WAC 388-218-1420, 388-218-1450, 388-218-1460, 388-218-1480 and 388-218-1730; and amending WAC 388-218-1210, 388-218-1230, 388-218-1300, 388-218-1350, 388-218-1410, 388-218-1430, 388-218-1440, 388-218-1470, 388-218-1630, 388-218-1710, 388-218-1720, and 388-218-1740.

Statutory Authority for Adoption: RCW 74.08.090.

Other Authority: Public Law 104-193, Section 103 (a)(1); EHB 3901, section 308 and 309(11) (1997) (amends RCW 74.04.005).

Adopted under notice filed as WSR 97-15-088 on July 17, 1997.

Number of Sections Adopted in Order to Comply with Federal Statute: New 0, amended 0, repealed 0; Federal Rules or Standards: New 0, amended 0, repealed 0; or Recently Enacted State Statutes: New 0, amended 12, repealed 5.

Number of Sections Adopted at Request of a Nongovernmental Entity: New 0, amended 0, repealed 0.

Number of Sections Adopted on the Agency's own Initiative: New 0, amended 0, repealed 0.

Number of Sections Adopted in Order to Clarify, Streamline, or Reform Agency Procedures: New 0, amended 0, repealed 0.

Number of Sections Adopted using Negotiated Rule Making: New 0, amended 0, repealed 0; Pilot Rule Making: New 0, amended 0, repealed 0; or Other Alternative Rule Making: New 0, amended 0, repealed 0.

Effective Date of Rule: Thirty-one days after filing.

September 2, 1997

Merry A. Kogut, Manager
 Rules and Policies Assistance Unit

AMENDATORY SECTION (Amending Order 3759, filed 7/27/94, effective 9/1/94)

WAC 388-218-1210 Exempt and disregarded income—Educational assistance. (1) The department shall exempt from consideration as income when determining need educational assistance, in the form of grants, loans, or work study, issued to a student from the following sources:

- (a) Title IV of the Higher Education Amendments; or
- (b) Bureau of Indian Affairs student assistance programs.

(2) The department shall disregard the following types of income when determining need:

(a) Grants or loans made or insured under any programs administered by the department of education to an undergraduate student for educational purposes.

(b) Educational assistance in the form of grants, loans, or work study, issued under the Carl D. Perkins Vocational and Applied Technology Education Act, P.L. 101-391, for attendance costs as identified by the institution. For a student attending school:

(i) At least half-time, attendance costs include tuition, fees, costs for purchase or rental of equipment, materials, or supplies required of all students in the same course of study, books, supplies, transportation, dependent care, and miscellaneous personal expenses; or

(ii) Less than half-time, attendance costs include tuition, fees, and costs for purchase or rental of equipment, materials, or supplies required of all students in the same course of study.

(c) Educational assistance in the form of grants, work study, scholarships, or fellowships, from sources other than those identified in subsections (1)(a) and (b), (2)(a) and (b)(i) and (ii) of this section for attendance costs as identified by the institution. Attendance costs include tuition, fees, costs for purchase or rental of equipment, materials, or supplies required of all students in the same course of study, books, supplies, transportation, dependent care, and miscellaneous personal expenses.

(d) Any remaining educational assistance, in the form of grants, work study, scholarships, or fellowships, not disregarded in subsections (1)(a) and (b), (2)(a), (b)(i) and (ii), and (c) of this section, as allowed under WAC 388-218-1540 Assistance from other agencies and organizations.

(e) (~~Apply any applicable~~) One-half of the gross earned income ((disregards to any)) received from work study earnings ((received and)) not disregarded in subsections (1)(a) and (b), (2)(a), (b)(i) and (ii), (c), and (d) of this section. If applicable, deduct the dependent care disregard as specified in WAC 388-218-1470.

(f) Veterans' Administration educational assistance for the student's educational expenses and child care necessary

PERMANENT

for school attendance. Attendance costs include tuition, fees, costs for purchase or rental of equipment, materials, or supplies required of all students in the same course of study, books, supplies, transportation, dependent care, and miscellaneous personal expenses.

AMENDATORY SECTION (Amending Order 3759, filed 7/27/94, effective 9/1/94)

WAC 388-218-1230 Disregarded income types. The department shall disregard the following types of income when determining need:

(1) Child's earned income. Earned income of a child when student eligibility conditions in WAC 388-218-1410 Earned income of a child, have been met.

(2) Foster care payments. Disregard as income a foster care payment made for the care of a child. See WAC 388-218-1400 Earned income types, for the treatment of foster care retainer fees.

(3) Gifts:

(a) Cash gifts. Nonrecurring cash gifts up to thirty cumulative dollars received by each member of the ~~((AFDC))~~ TANF assistance unit per calendar quarter. The department, unless otherwise specified by the donor, shall determine an individual's share in a gift to more than one person by dividing the amount of the gift by the number of persons receiving the gift.

(b) Noncash gifts. Gifts other than cash as defined under chapter 388-22 WAC provided such gifts are within the allowable program resource limits.

(4) Household cost funds. Funds representing another person's or family's share of household costs.

(5) Loans.

(a) Bona fide loans. The department shall consider a loan bona fide when the loan is a debt the borrower has an obligation to repay.

(b) Loan repayments. The department shall not consider as income to a client money received from loan repayment; however, the department shall consider any interest paid in the loan as newly acquired income.

(6) Office of support enforcement pass-through payments. The monthly child support incentive payment from the office of support enforcement (OSE);

(7) Overpayments recovered by source agency. Any overpayment amount withheld from a client's benefit in order to recover an overpayment by the source agency.

(8) Per diem and transportation. Per diem and transportation funds paid to ~~((AFDC))~~ TANF advisory committee members.

(9) Settlements. Settlements for destroyed, stolen exempt property, or back medical bills when conditions in, WAC 388-218-1530 Determining net income—Other income, have been met.

(10) Self-produced or supplied items. The value of self-produced or supplied items except as specified in, WAC 388-218-1340 Self-produced or supplied items, when:

(a) Self-produced items are sold for cash; or

(b) The household's requirement for shelter is supplied.

AMENDATORY SECTION (Amending Order 3732, filed 5/3/94, effective 6/3/94)

WAC 388-218-1300 Self-employment income. (1) Earned income from self-employment is the amount left after deducting allowable business expenses from gross business income.

(2) ~~((Applicable)) Disregard one-half of the self-employment earned income ((disregards are further deducted from self-employment earned income))~~ to determine the net amount available to meet need. If applicable, deduct the dependent care disregard as specified in WAC 388-218-1470.

(3) In order to establish eligibility for public assistance, a self-employed client must maintain and make available to the department a record clearly documenting all business expenses and income.

AMENDATORY SECTION (Amending Order 3857, filed 5/24/95, effective 6/24/95)

WAC 388-218-1350 Deductible self-employment expenses. The department shall consider the following items as deductible business expenses in a self-employment enterprise:

(1) Rental of business equipment or property.

(2) Utilities.

(3) Postage.

(4) Telephone.

(5) Office supplies.

(6) Advertising.

(7) Insurance.

(8) Legal, accounting, and other professional fees.

(9) The cost of goods sold, including wages paid to employees producing salable goods, raw materials, stock, and replacement or reasonable accumulation of inventory, provided inventory has been declared exempt on the basis of an agreed plan pursuant to WAC 388-216-2500.

(10) Interest on business indebtedness.

(11) Wages and salaries paid to employees not producing salable goods.

(12) Commissions paid to agents and independent contractors.

(13) Documented and verified costs of self-employment business-related transportation. These costs are limited to gas, oil, and fluids; necessary services and repairs; replacement of worn items such as tires; registration and licensing fees; and interest on automobile loans.

(a) The client may choose:

(i) To itemize the actual operating cost of a vehicle; or

(ii) A cost per mile established by the department using a prevailing rate based on market standards.

(b) The cost of tolls and parking related to the business shall be deducted as a business expense.

(c) If a vehicle is needed for both business and private purposes, the mileage and expenses attributable to the business must be documented in a daily log and is subject to verification by the department.

(d) Transportation to and from the place of business is not a business expense ~~((, but is a personal work expense and is covered by the work expense deduction))~~.

(14) Nonpersonal taxes on the business and business property, including the employer's share of federal Social Security taxes on business employees and state and federal unemployment insurance contributions, if any. The self-

employed person's personal income taxes and self-employment taxes are not business deductions (~~(, but are work expenses covered by the work expense deduction)~~).

(15) Repairs to business equipment and property, excluding vehicles. An expenditure to maintain property in its usual working condition is deductible as a repair.

(16) Other expenditures reasonable and necessary to the efficient and profitable operation of the self-employment enterprise.

AMENDATORY SECTION (Amending Order 3732, filed 5/3/94, effective 6/3/94)

WAC 388-218-1410 Earned income of a child. The department shall apply the following rules when determining the amount of a child's earned income available to meet the current need of the assistance unit of which the child is a member:

(1) The department shall disregard all of the child's monthly earned income when the following circumstances apply:

(a) When determining whether total family income exceeds one hundred and eighty-five percent of the need standard for a child who is a full-time student. This disregard is limited to six months per calendar year;

(b) When determining (~~whether total family income exceeds one hundred percent of the need standard~~) the payment amount for:

(i) A (~~n applicant~~) child, who is a full-time student (~~provided that such income is also disregarded under (a) of this subsection~~); or

(ii) A (~~recipient~~) child, who is (~~a full-time student or~~) a part-time student (~~who is not a full-time employee;~~

~~(c) When determining the payment amount for an applicant or recipient child who is a full-time student or a part-time student who is not a full-time employee~~) carrying at least half the normal school load and working fewer than one hundred fifty hours per month.

(2) A child earning income by working in a sheltered workshop or other training facility for handicapped children shall be considered, for purposes of income exemption, as being at least a part-time student working less than full time.

(3) To be employed full time, a child must be working (~~thirty-five~~) one hundred fifty hours ((a week)) per month or the number of hours considered full time by the industry for which he or she works, whichever is less.

(4) Summer employment of students shall not be considered as full-time employment due to the temporary nature of such employment, even though the hours worked may exceed thirty-five hours a week.

(5) In determining the amount of a nonstudent child's earned income available to meet the current needs of the assistance unit, net income shall be computed without application of the earned income disregards specified in this section.

AMENDATORY SECTION (Amending Order 3732, filed 5/3/94, effective 6/3/94)

WAC 388-218-1430 Earned income disregards—Deduction sequence. Earned income disregards shall be applied in the following sequence:

- (1) ~~((Work expense))~~ Earned income disregard; and
- (2) ~~((Thirty dollars and one third disregard; or~~

- ~~(3) Thirty dollar disregard; and~~
- ~~(4))~~ Dependent care disregard.

AMENDATORY SECTION (Amending Order 3732, filed 5/3/94, effective 6/3/94)

WAC 388-218-1440 ((Work expense)) Earned income disregard. (1) Disregard ~~((the first ninety dollars))~~ one-half of the gross earned income for ((work expenses, regardless of the number of hours worked per month)) each month the client receives earned income.

(2) When payment of income over a period of more than one month is delayed, the earned income disregard applies to the period during which the income was earned.

AMENDATORY SECTION (Amending Order 3732, filed 5/3/94, effective 6/3/94)

WAC 388-218-1470 Dependent care disregard. Disregard the actual cost for care of each dependent child or incapacitated adult living in the same home and receiving ~~((AFDC))~~ TANF provided:

(1) Conditions under WAC ~~((388-51-110-1(e)))~~ 388-290-110 (1)(c) are met for each dependent child;

(2) No disregard will be allowed for care provided by a parent or stepparent;

(3) The provider verifies the cost incurred;

(4) The cost is incurred for the month of employment being reported; and

(5) The cost for each dependent child or incapacitated adult, depending on the number of hours worked per month does not exceed the following:

Hours Worked per month	Dependent Care Maximum Deductions	Dependent Care Maximum Deductions
Hours Worked per month	Dependent Two Years of Age or Older	Dependent Under Two Years of Age
0 - 40	\$ 43.75	\$ 50.00
41 - 80	87.50	100.00
81 - 120	131.25	150.00
121 or More	175.00	200.00

AMENDATORY SECTION (Amending Order 3857, filed 5/24/95, effective 6/24/95)

WAC 388-218-1630 Allocation of assistance unit income for support of legal dependents. (1) The department shall ~~((budget))~~ allocate the income of a parent ~~((or))~~, stepparent or caretaker relative included in the assistance unit to meet the needs of the assistance unit after ~~((allocating an amount for))~~ deducting:

(a) One-half of the gross earned income for each employed person;

(b) An amount for the support of the parent, stepparent or caretaker relative and other dependents not eligible for inclusion in the assistance unit for factors other than sanction or ((noneoperation)) disqualification, not to exceed the appropriate payment standard for an assistance unit of the same composition; and

~~((b))~~ (c) An amount for court or administratively ordered support for a legal dependent, not living in the

PERMANENT

parent or stepparent's home not to exceed the lesser of the amount actually paid or the appropriate need standard for each dependent;

(2) The department shall consider a dependent to be one who:

(a) Is or could be claimed for federal income tax purposes by the parent ((~~or~~)), stepparent or caretaker relative; or

(b) The parent ((~~or~~)), stepparent or caretaker relative is legally obligated to support.

AMENDATORY SECTION (Amending Order 3732, filed 5/3/94, effective 6/3/94)

WAC 388-218-1710 Income tests. To be eligible for ((~~AFDC~~)) TANF, a client shall meet the following income tests:

(1) One hundred eighty-five percent of need test, as specified in WAC 388-218-1720 One hundred eighty-five percent of need test; and

(2) ~~((One hundred percent of need test, as specified in WAC 388-218-1730 One hundred percent of need test; and~~
 (~~3~~)) Payment standard test, as specified in WAC 388-218-1740 Payment standard test.

AMENDATORY SECTION (Amending Order 3732, filed 5/3/94, effective 6/3/94)

WAC 388-218-1720 One hundred eighty-five percent of need test. A client whose nonexempt gross income exceeds one hundred eighty-five percent of the standard of need for the appropriate household size plus additional requirements authorized for that assistance unit, shall not be eligible for ((~~AFDC~~)) TANF from the date specified in WAC 388-218-1830 Treatment of income—Suspension of a grant.

(1) The department shall consider the income of all members of the assistance unit and the income of natural, adoptive, or stepparents of children in the assistance unit, residing in the same household, in this test except for income specifically exempted or disregarded and in subsection (2) of this section.

(2) In determining the total income of the family, the department shall exclude:

(a) The earned income of a child who is a full-time student is excluded for six months per calendar year; and

(b) The first fifty dollars per month of the current monthly support obligation of any child support collected on the family's behalf or received by the family.

AMENDATORY SECTION (Amending Order 3732, filed 5/3/94, effective 6/3/94)

WAC 388-218-1740 Payment standard test. The assistance unit's monthly nonexempt unearned income, after applying the earned income disregards, plus monthly nonexempt earned income shall be below the appropriate state payment standard plus additional requirements.

REPEALER

The following sections of the Washington Administrative Code are repealed:

388-218-1420 Earned income disregards—General.
 Permanent

388-218-1450 Thirty dollars and one-third disregard.
 388-218-1460 Thirty-dollar disregard.
 388-218-1480 Circumstances where earned income disregards are not allowed.
 388-218-1730 One hundred percent of need test.

**WSR 97-18-074
 PERMANENT RULES
 DEPARTMENT OF
 SOCIAL AND HEALTH SERVICES
 (Economic Services Administration)
 (Public Assistance)
 [Filed September 2, 1997, 4:56 p.m.]**

Date of Adoption: September 2, 1997.

Purpose: To comply with the state requirements of EHB 3901 which adds an exemption to the federal requirement that temporary assistance for needy families (TANF) be denied to persons convicted of drug-related felonies. If a person was convicted for possession or use of a controlled substance and (1) was assessed as chemically dependent, (2) is participating in treatment, and (3) was not previously convicted of a drug-related felony within three years of the current conviction, he or she would be exempt from this rule.

Citation of Existing Rules Affected by this Order: Amending WAC 388-215-1570 Denial of assistance to persons convicted of drug-related felonies.

Statutory Authority for Adoption: RCW 74.08.090.

Other Authority: RCW 74.08.025(4) amended in EHB 3901, section 101 (1997).

Adopted under notice filed as WSR 97-15-032 on July 9, 1997.

Changes Other than Editing from Proposed to Adopted Version: In subsection (2)(a), substituted the words "chemical dependency program" for "assessment agency," because that was the specific language used in the bill. Assessment agencies are not necessarily chemical dependency programs.

Number of Sections Adopted in Order to Comply with Federal Statute: New 0, amended 0, repealed 0; Federal Rules or Standards: New 0, amended 0, repealed 0; or Recently Enacted State Statutes: New 0, amended 1, repealed 0.

Number of Sections Adopted at Request of a Nongovernmental Entity: New 0, amended 0, repealed 0.

Number of Sections Adopted on the Agency's own Initiative: New 0, amended 0, repealed 0.

Number of Sections Adopted in Order to Clarify, Streamline, or Reform Agency Procedures: New 0, amended 0, repealed 0.

Number of Sections Adopted using Negotiated Rule Making: New 0, amended 0, repealed 0; Pilot Rule Making: New 0, amended 0, repealed 0; or Other Alternative Rule Making: New 0, amended 0, repealed 0.

Effective Date of Rule: Thirty-one days after filing.

September 2, 1997
 Merry A. Kogut, Manager
 Rules and Policies Assistance Unit

PERMANENT

AMENDATORY SECTION (Amending WSR 97-08-034 and 97-10-040, filed 3/27/97 and 4/30/97, effective 8/1/97)

WAC 388-215-1570 Denial of assistance to persons convicted of drug-related felonies. (1) Except as provided in subsection (2) below, the department shall deny TANF benefits to an individual convicted after August ((22)) 21, 1996, under federal or state law, of any felony involving the possession, use or distribution of a controlled substance as defined in section 102(6) of the Controlled Substances Act by excluding the needs of that individual in determining the need and payment amount of the assistance unit.

(2) An individual who has been convicted of possession or use of a controlled substance is exempt from the provision of subsection (1) of this section if that individual:

(a) Was assessed as chemically dependent by a state-certified chemical dependency program; and

(b) Is participating in or completed a rehabilitation plan consisting of chemical dependency treatment and vocational services; and

(c) Was not previously convicted of a felony for possession or use of a controlled substance within three years of the latest conviction.

(3) Each applicant shall attest in writing whether the applicant or a person for whom the applicant is applying has been convicted of a felony as described in subsection (1) of this section.

WSR 97-18-075
PERMANENT RULES
DEPARTMENT OF
SOCIAL AND HEALTH SERVICES
(Economic Services Administration)
(Public Assistance)
[Filed September 2, 1997, 4:59 p.m.]

Date of Adoption: September 2, 1997.

Purpose: To conform the regulations regarding confidentiality of address information with changes to federal and state law; to provide the same protection to the responsible parent as has been given to the physical custodian and the children.

Citation of Existing Rules Affected by this Order: Amending WAC 388-14-030.

Statutory Authority for Adoption: RCW 26.23.120, as amended by section 908, chapter 58, Laws of 1997.

Other Authority: Section 303 of Public Law 104-193 (Federal Personal Responsibility and Work Opportunity Reconciliation Act).

Adopted under notice filed as WSR 97-15-085 on July 17, 1997.

Changes Other than Editing from Proposed to Adopted Version: WAC 388-14-040, 388-14-045 and 388-14-050 were revised after consultation with legal services.

Number of Sections Adopted in Order to Comply with Federal Statute: New 4, amended 1, repealed 0; Federal Rules or Standards: New 0, amended 0, repealed 0; or Recently Enacted State Statutes: New 4, amended 1, repealed 0.

Number of Sections Adopted at Request of a Nongovernmental Entity: New 0, amended 0, repealed 0.

Number of Sections Adopted on the Agency's own Initiative: New 0, amended 0, repealed 0.

Number of Sections Adopted in Order to Clarify, Streamline, or Reform Agency Procedures: New 4, amended 1, repealed 0.

Number of Sections Adopted using Negotiated Rule Making: New 0, amended 0, repealed 0; Pilot Rule Making: New 0, amended 0, repealed 0; or Other Alternative Rule Making: New 0, amended 0, repealed 0.

Effective Date of Rule: Thirty-one days after filing.

September 2, 1997

Merry A. Kogut, Manager
Rules and Policies Assistance Unit

AMENDATORY SECTION (Amending Order 3512, filed 2/10/93, effective 3/13/93)

WAC 388-14-030 Confidentiality. (1) Under RCW 26.23.120, all information and records, concerning persons who owe a support obligation or for whom the ((~~office~~)) IV-D agency provides support enforcement services, are private and confidential. The ((~~office~~)) IV-D agency shall disclose information and records only as follows:

(a) The ((~~office~~)) IV-D agency shall disclose information and records only to:

(i) A person or entity listed and for the specific purpose or purposes stated in federal law;

(ii) The person who is the subject of the information or records, unless the information or records are exempt under RCW 42.17.310;

(iii) Local, state, and federal government agencies for support enforcement and related purposes;

(iv) A party to a judicial proceeding or a hearing under chapter 34.05 RCW, if the presiding officer enters an order to disclose. The presiding officer shall base the order on a written finding that the need for the information outweighs any reason for maintaining privacy and confidentiality;

(v) A party under contract, including a federally recognized Indian tribe, if disclosure will allow the party to assist in the program's management or operation;

(vi) A person or entity, including a federally recognized Indian tribe, when necessary to the administration of the program or the performance of functions and duties in state and federal law. The ((~~office~~)) IV-D agency may publish information about a responsible parent for locate and enforcement purposes;

(vii) A person, representative, or entity if the person who is the subject of the information and records consents, in writing, to disclosure;

(viii) The office of administrative hearings or the office of appeals for administration of the hearing process under chapter 34.05 RCW. The presiding officer or review judge shall not include the address of ((~~the physical custodian~~)) either party in an administrative order, or disclose ((~~the physical custodian's~~)) a party's address to the ((~~responsible parent~~)) other party. The review judge and the presiding officer shall:

(A) State in support orders that the address is known by the Washington state support registry; and

(B) Inform the parties they may obtain the address by submitting a request for disclosure to the ((~~office of support enforcement (OSE)~~)) IV-D agency under this section.

(b) The last known address of, or employment information about, a party to a court or administrative order for, or a proceeding involving, child support may be given to another party to the order. The party receiving the informa-

tion may only use the information to establish, enforce, or modify a support order. Disclosure of ~~((this))~~ address information is subject to the ~~((limitations listed under subsections (4), (5), and (6) of this section))~~ provisions of WAC 388-14-035, 388-14-040, 388-14-045, and 388-14-050;

(c) The last known address of natural or adoptive children may be given to a parent having a court order granting that parent visitation rights with, legal custody of or residential time with the parent's natural or adoptive children. The parent may only use this information to enforce the terms of the court order. Disclosure of this information is subject to the provisions of WAC 388-14-035, 388-14-040, 388-14-045, and 388-14-050;

(d) The ~~((department))~~ IV-D agency may disclose the Social Security Number of a dependent child to the ~~((absent))~~ responsible parent to enable the parent to claim the dependency exemption as authorized by the Internal Revenue Service;

(e) Financial records of an individual obtained from a financial institution may be disclosed only for the purpose of, and to the extent necessary, to establish, modify, or enforce a child support obligation of that individual.

(2) Except as provided under ~~((subsections (4) through (8) of this section))~~ WAC 388-14-035, 388-14-040, 388-14-045, and 388-14-050, chapter 388-320 WAC governs the process of requesting and disclosing information and records.

(3) The ~~((office))~~ IV-D agency shall take timely action on requests for disclosure. The office shall respond in writing within five working days of receipt of the request ~~((; unless the request is for disclosure of the address of the physical custodian or the dependent children. The office shall inform the requestor of the thirty day notice period provided for under subsection (5) of this section. The office shall respond to a request for an address within five working days of the date the thirty day notice period, provided for in subsection (5) of this section, expires, unless the physical custodian requests an adjudicative proceeding to contest the address release.~~

(4) The following provisions apply to a request for disclosure of the physical custodian's or a dependent child's address under subsection (1)(b) and (c) of this section:

(a) The office shall not release the address if:

(i) The department has determined, under WAC 388-24-111, that the physical custodian has good cause for refusing to cooperate;

(ii) The order, on which the request is based, restricts or limits the address requesting party's right to contact or visit the other party or the child by imposing conditions to protect the physical custodian or the child from harm.

(b) A person shall submit a request for disclosure in writing and in person, with satisfactory evidence of identity, at any OSE office;

(c) If the request is made by the person's attorney, the office shall waive the provisions regarding submission in person with satisfactory evidence of identity;

(d) If the person resides outside the state of Washington, the office shall waive the provision requiring submission in person if the person:

(i) Submits a notarized request for disclosure; and

(ii) Complies with the requirements of subsection (4)(e) of this section.

(e) The requester shall attach the following to a request for disclosure of an address:

(i) A copy of the superior court order on which the request is based. The office shall waive this provision if the office has a true copy of the order on file;

(ii) A sworn statement by the individual that the order has not been modified;

(iii) A statement explaining the purpose of the request and how the information will be used.

(5) Prior to disclosing the physical custodian's or a child's address, the office shall mail a notice to the last known address of the physical custodian, except as provided under subsection (8) of this section. The notice shall advise the physical custodian that:

(a) A request for disclosure has been made;

(b) The office will disclose the address, to a person under subsections (1)(b) and (c) of this section, after thirty days from the date of the notice, unless:

(i) The office receives a copy of a court order which:

(A) Enjoins disclosure of the address; or

(B) Restricts the address requesting party's right to contact or visit the other party or a child by imposing conditions to protect the physical custodian or the child from harm, including, but not limited to, temporary orders for protection under chapter 26.50 RCW; or

(ii) The physical custodian requests an adjudicative proceeding which ultimately results in a decision that release of the address is reasonably anticipated to result in harm to the physical custodian or a dependent child.

(c) If the physical custodian requests an adjudicative proceeding to contest the address release, the physical custodian may participate in the proceeding by telephone, from any pre-arranged location. The location and phone number shall not be disclosed by the presiding officer.

(6) In any adjudicative proceeding requested under subsection (5)(b)(ii) of this section:

(a) The parent requesting address disclosure and the physical custodian are independent parties in the adjudicative proceeding;

(b) The physical custodian may participate by telephone, provided the physical custodian:

(i) States in the request for the adjudicative proceeding that participation will be by telephone; and

(ii) Provides the office of appeals or the office of administrative hearings with a telephone number where the physical custodian can be reached for the hearing, at least five calendar days before the scheduled hearing.

(c) The presiding officer shall not disclose the location or phone number from which the physical custodian is appearing;

(d) The initial burden of proof is on the party requesting address disclosure, to show that the address request is for a purpose for which disclosure is specifically permitted under this section.

(e) If the party requesting address disclosure:

(i) Fails to meet this burden, the presiding officer shall enter an order denying the address request;

(ii) Establishes that the address was requested for a purpose for which disclosure is permitted, the physical custodian must then show that it is reasonable to anticipate that physical or emotional harm to the physical custodian or a child will result from release of the address. The physical custodian:

~~(A) May demonstrate reasonable anticipation of harm by any form of evidence admissible under chapter 34.05 RCW; and~~

~~(B) Is not required to provide corroborative evidence required by WAC 388-24-111(7), to establish a reasonable anticipation of harm.~~

~~(f) If either party fails to appear, the presiding officer may enter an order on default:~~

~~(i) If the physical custodian fails to appear, the order shall require OSE to release the physical custodian's address;~~

~~(ii) If the address requesting party fails to appear, the default order shall deny the request for address information.~~

~~(g) The office of administrative hearings shall arrange the attendance of the parties by telephone or other procedure showing due regard for the safety of the physical custodian and the children;~~

~~(h) If the physical custodian requests an adjudicative proceeding the office shall respond to the disclosure request within five working days of the exhaustion of administrative remedies.~~

~~(7) If the physical custodian requests a hearing under subsection (6) of this section in response to a department initiated review of the support order for modification, both parties to the support order shall be independent parties in the address disclosure hearing.~~

~~(8) The office shall not mail a notice prior to disclosure: (a) If the address requesting party can show the other party will likely flee and that:~~

~~(i) A court of competent jurisdiction of this state or another state has entered an order giving legal and physical custody of a child whose address is requested to the requesting party; and~~

~~(ii) The custody order has not been altered, changed, modified, superseded, or dismissed; and~~

~~(iii) A child was taken or enticed from the address requesting party's physical custody without that party's consent; and~~

~~(iv) The address requesting party has not subsequently assented to being deprived of physical custody of the children; and~~

~~(v) The address requesting party is making reasonable efforts to regain physical custody of the child; or~~

~~(b) When a child whose address is requested is receiving foster care services under chapter 74.13 RCW.~~

~~(9))~~

~~(4) If a child is receiving foster care services, the party shall contact the party's local community services office for disclosure of that child's address information.~~

~~((+0)) (5) The rules of confidentiality and penalties for misuse of information and reports that apply to ((a department)) a IV-D agency employee, shall also apply to a person who receives information under this section.~~

~~((+1)) (6) Nothing in these rules:~~

~~(a) Prevents the ((office)) IV-D agency from disclosing information and records when such disclosure is necessary to the performance of its duties and functions as provided by state and federal law;~~

~~(b) Requires the ((office)) IV-D agency to disclose information and records obtained from a confidential source.~~

NEW SECTION

WAC 388-14-035 Requests for address disclosure—Form of request. (1) A person shall submit a request for disclosure of a parent or child's address in writing and in person, with satisfactory evidence of identity, at any office of the IV-D agency;

(2) If the request is made by the person's attorney, the agency may waive the provisions regarding submission in person with satisfactory evidence of identity;

(3) If the person is unable to appear at the IV-D agency in person, the IV-D agency may waive the provision requiring submission in person if the person submits a notarized request for disclosure;

(4) The requester shall attach the following to a request for disclosure of an address:

(a) A copy of the superior court order on which the request is based. The IV-D agency shall waive this provision if the IV-D agency has a true copy of the order on file;

(b) A sworn statement by the individual that the order has not been modified; and

(c) A statement explaining the purpose of the request and how the information will be used.

NEW SECTION

WAC 388-14-040 Authorization for address release. (1) Any party to a support order may authorize the IV-D agency to release his or her address to the other party with no prior notice.

(2) An authorization to release an address shall be:

(a) In writing;

(b) Notarized; and

(c) Effective for any period designated by the party up to three years or until the IV-D agency is notified in writing that the party has revoked the authorization, whichever is sooner.

NEW SECTION

WAC 388-14-045 Requests for address disclosure—Notice of request—Standards for nonrelease. (1) The following provisions apply to a request for disclosure of the address of a party to the order or a dependent child under WAC 388-14-030 through 388-14-050. The IV-D agency shall not release the address if:

(a) The department has determined, under WAC 388-215-1450, that the physical custodian has good cause for refusing to cooperate;

(b) The order, on which the request is based, restricts or limits the address requesting party's right to contact or visit the other party or the child by imposing conditions to protect the party or the child from harm;

(c) An order has been entered finding that the health, safety, or liberty of a party or child would be unreasonably put at risk by the disclosure of the information; or

(d) The IV-D agency has information which gives the agency reason to believe that release of the address may result in physical or emotional harm to the other party or to the children.

(2) Whenever the IV-D agency denies a request for disclosure under subsection (1) of this section, the IV-D agency shall notify the nonrequesting party that disclosure of the address was requested and was denied.

(3) Prior to disclosing the address of a party or a child, the IV-D agency shall mail a notice to the last known address of the party whose address is sought, except as provided under subsection (4) of this section. The notice shall advise the party that:

(a) A request for disclosure has been made;
 (b) The IV-D agency will disclose the address after thirty days from the date of the notice, unless:

(i) The IV-D agency receives a copy of an order which:
 (A) Enjoins disclosure of the address;
 (B) Restricts the address requesting party's right to contact or visit the other party or a child by imposing conditions to protect the party or the child from harm, including, but not limited to, temporary orders for protection under chapter 26.50 RCW; or

(C) States that the health, safety, or liberty of a party or child would be unreasonably put at risk by disclosure of address or other identifying information.

(ii) The party requests an adjudicative proceeding which ultimately results in a decision that release of the address is reasonably anticipated to result in harm to a party or a dependent child;

(iii) In any hearing under this section, either party may participate in the proceeding by telephone, from any prearranged location. The location and phone number shall not be disclosed by the presiding officer.

(4) The IV-D agency shall not mail a notice prior to disclosure if:

(a) The requesting party presents a facially valid warrant or a judicial finding that:

(i) The other party will likely flee to avoid service of process; or

(ii) The other party will likely flee and that:

(A) A court of competent jurisdiction of this state or another state has entered an order giving legal and physical custody of a child whose address is requested to the requesting party; and

(B) The custody order has not been altered, changed, modified, superseded, or dismissed; and

(C) A child was taken or enticed from the address requesting party's physical custody without that party's consent; and

(D) The address requesting party has not subsequently assented to being deprived of physical custody of the children; and

(E) The address requesting party is making reasonable efforts to regain physical custody of the child; or

(b) The records of the IV-D agency contain a written authorization for address release under WAC 388-14-040.

NEW SECTION

WAC 388-14-050 Requests for address disclosure—Hearings. (1) In any adjudicative proceeding requested under WAC 388-14-045 (2)(b)(ii):

(a) The parent requesting address disclosure and the other party to the order or action are independent parties in the adjudicative proceeding;

(b) Either party may participate by telephone, provided the party:

(i) States in the request for the adjudicative proceeding that participation will be by telephone; or

(ii) Advises the office of administrative hearings at least five calendar days prior to the scheduled hearing that participation will be by telephone; and

(iii) Provides the office of administrative hearings with a telephone number where the party can be reached for the hearing, at least five calendar days before the scheduled hearing.

(c) The presiding officer shall not disclose the location or phone number from which the party is appearing;

(d) The initial burden of proof is on the party requesting address disclosure, to show that the address request is for a purpose for which disclosure is specifically permitted under WAC 388-14-030 through 388-14-050;

(e) If the party requesting address disclosure:

(i) Fails to meet this burden, the presiding officer shall enter an order denying the address request;

(ii) Establishes that the address was requested for a purpose for which disclosure is permitted, the other party must then show that it is reasonable to anticipate that physical or emotional harm to the party or a child will result from release of the address. The party objecting to address release:

(A) May demonstrate reasonable anticipation of harm by any form of evidence admissible under chapter 34.05 RCW; and

(B) Is not required to provide corroborative evidence required by WAC 388-215-1450, to establish a reasonable anticipation of harm.

(f) If either party fails to appear, the presiding officer may enter an order on default:

(i) If the party objecting to disclosure fails to appear, the order shall require the IV-D agency to release the address unless the record contains documentary evidence which provides the basis for a finding that physical or emotional harm will likely result from release of the address;

(ii) If the address requesting party fails to appear, the default order shall deny the request for address information.

(g) The office of administrative hearings shall arrange the attendance of the parties by telephone or other procedure showing due regard for the safety of the parties and the children;

(h) The IV-D agency shall issue a final response to the disclosure request within five working days of the exhaustion of administrative remedies.

(2) If the physical custodian requests a hearing under this section in response to a department initiated review of the support order for modification, both parties to the support order shall be independent parties in the address disclosure hearing.

**WSR 97-18-086
 PERMANENT RULES
 DEPARTMENT OF
 SOCIAL AND HEALTH SERVICES
 (Economic Services Administration)
 (Public Assistance)**

[Filed September 3, 1997, 11:27 a.m., effective October 1, 1997]

Date of Adoption: September 2, 1997.

Purpose: Updates utility deductions used in calculating food stamp benefit amounts.

Citation of Existing Rules Affected by this Order:
 Amending WAC 388-49-505 Utility allowance.

Statutory Authority for Adoption: RCW 74.04.510.

Other Authority: 7 CFR 273.9 (2)(6)(vi) requires the state review and adjust the utility allowances each year.

Adopted under notice filed as WSR 97-15-086 on July 17, 1997.

Number of Sections Adopted in Order to Comply with Federal Statute: New 0, amended 1, repealed 0; Federal Rules or Standards: New 0, amended 0, repealed 0; or Recently Enacted State Statutes: New 0, amended 0, repealed 0.

Number of Sections Adopted at Request of a Nongovernmental Entity: New 0, amended 0, repealed 0.

Number of Sections Adopted on the Agency's own Initiative: New 0, amended 0, repealed 0.

Number of Sections Adopted in Order to Clarify, Streamline, or Reform Agency Procedures: New 0, amended 1, repealed 0.

Number of Sections Adopted using Negotiated Rule Making: New 0, amended 0, repealed 0; Pilot Rule Making: New 0, amended 0, repealed 0; or Other Alternative Rule Making: New 0, amended 0, repealed 0.

Other Findings Required by Other Provisions of Law as Precondition to Adoption or Effectiveness of Rule: Federal law requires this amendment be effective October 1, 1997.

Effective Date of Rule: October 1, 1997.

September 2, 1997

Merry A. Kogut, Manager
Rules and Policies Assistance Unit

AMENDATORY SECTION (Amending WSR 96-22-101, filed 11/6/96, effective 12/7/96)

WAC 388-49-505 Utility allowances. (1) The department shall:

(a) Establish the following utility allowances for use in calculating shelter costs:

(i) A standard utility allowance for households incurring any separate utility charges for heating or cooling costs;

(ii) A limited utility allowance for households, without heating or cooling costs, incurring any separate utility charges other than telephone costs; and

(iii) A telephone allowance for households incurring separate charges for phone service and not claiming the standard or limited utility allowance.

(b) Obtain food and consumer service approval of the methodology used to establish utility allowances.

(2) The standard utility allowance shall be two hundred twenty-three dollars.

(3) The limited utility allowance shall be one hundred sixty-~~(two)~~ four dollars.

(4) The telephone allowance shall be twenty-nine dollars.

Purpose: To implement E2SHB 1850 (1997), which mandates the Department of Social and Health Services to put into place a limited moratorium on the licensing of adult family homes. Rules are necessary to implement the moratorium, and specifically to describe a process for granting exceptions to the moratorium on a case-by-case basis. The legislature further required that, during the moratorium, the department review, and if necessary, amend, existing safety and quality of care standards, and that the secretary determine that they reasonably protect the life, safety and health of residents.

Reviser's note: The material contained in the Rules Analysis exceeded the page-count limitations of WAC 1-21-040 for appearance in this issue of the Register. It will appear in the 97-19 issue of the Register.

Statutory Authority for Adoption: Section 403, chapter 392, Laws of 1997 (E2SHB 1850).

Other Authority: Sections 402, 403 and 532, chapter 392, Laws of 1997.

Adopted under notice filed as WSR 97-15-132 on July 23, 1997.

Changes Other than Editing from Proposed to Adopted Version: (1) WAC 388-76-9976(4) was revised to add the following sentence: "The director of residential care services, or the director's designee, shall evaluate the need for the home, based on the definition of need in WAC 388-76-9972."

(2) WAC 388-76-9978 [(1)](d) was revised to eliminate the words "within the same county of residence." Also, an additional sentence is added to this section: "Applicants who are planning to relocate shall make a notation on the first page of their application, indicating that they have a current license and plan to relocate."

Number of Sections Adopted in Order to Comply with Federal Statute: New 0, amended 0, repealed 0; Federal Rules or Standards: New 0, amended 0, repealed 0; or Recently Enacted State Statutes: New 6, amended 0, repealed 0.

Number of Sections Adopted at Request of a Nongovernmental Entity: New 0, amended 0, repealed 0.

Number of Sections Adopted on the Agency's own Initiative: New 0, amended 0, repealed 0.

Number of Sections Adopted in Order to Clarify, Streamline, or Reform Agency Procedures: New 0, amended 0, repealed 0.

Number of Sections Adopted using Negotiated Rule Making: New 0, amended 0, repealed 0; Pilot Rule Making: New 0, amended 0, repealed 0; or Other Alternative Rule Making: New 0, amended 0, repealed 0.

Other Findings Required by Other Provisions of Law as Precondition to Adoption or Effectiveness of Rule: These rules will become effective on September 4, 1997, in order to comply with the legislative intent of sections 402, 403 and 532, chapter 392, Laws of 1997, that the limited moratorium be implemented promptly. The potentially short term of the moratorium (most likely to end on December 12) and the legislative history of the moratorium indicate a legislative intent that the department implement the moratorium expeditiously. This intent is shown not only by the short term of the moratorium, but also by the legislature's effort to grant additional emergency rule-making authority to implement the moratorium.

Effective Date of Rule: September 4, 1997.

WSR 97-18-089

PERMANENT RULES

DEPARTMENT OF

SOCIAL AND HEALTH SERVICES

(Aging and Adult Services Administration)

(Public Assistance)

[Filed September 3, 1997, 11:42 a.m., effective September 4, 1997]

Date of Adoption: September 2, 1997.

September 2, 1997
Merry A. Kogut, Manager
Rules and Policies Assistance Unit

Reviser's note: The material contained in this filing exceeded the page-count limitations of WAC 1-21-040 for appearance in this issue of the Register. It will appear in the 97-19 issue of the Register.

PERMANENT

**WSR 97-18-002
EMERGENCY RULES
DEPARTMENT OF
FISH AND WILDLIFE
(Wildlife)**

[Order 97-158 —Filed August 20, 1997, 4:46 p.m., effective September 1, 1997, 12:01 a.m.]

Date of Adoption: August 18, 1997.

Purpose: To amend personal use rules.

Citation of Existing Rules Affected by this Order:
Amending WAC 232-28-619.

Statutory Authority for Adoption: RCW 77.12.040.

Under RCW 34.05.350 the agency for good cause finds that immediate adoption, amendment, or repeal of a rule is necessary for the preservation of the public health, safety, or general welfare, and that observing the time requirements of notice and opportunity to comment upon adoption of a permanent rule would be contrary to the public interest.

Reasons for this Finding: An emergency closure of Coffee Pot Lake is required to provide needed protection for resting waterfowl and to allow the Bureau of Land Management sufficient time to develop a management plan for the area to address public use and safety issues. There is insufficient time to promulgate permanent rules.

Number of Sections Adopted in Order to Comply with Federal Statute: New 0, amended 0, repealed 0; Federal Rules or Standards: New 0, amended 0, repealed 0; or Recently Enacted State Statutes: New 0, amended 0, repealed 0.

Number of Sections Adopted at Request of a Nongovernmental Entity: New 0, amended 0, repealed 0.

Number of Sections Adopted on the Agency's own Initiative: New 1, amended 0, repealed 0.

Number of Sections Adopted in Order to Clarify, Streamline, or Reform Agency Procedures: New 0, amended 0, repealed 0.

Number of Sections Adopted using Negotiated Rule Making: New 0, amended 0, repealed 0; Pilot Rule Making: New 0, amended 0, repealed 0; or Other Alternative Rule Making: New 0, amended 0, repealed 0.

Effective Date of Rule: September 1, 1997, 12:01 a.m.

August 18, 1997

Dirk Brazil

for Bern Shanks

Director

NEW SECTION

WAC 232-28-61900P Washington game fish—Exceptions to state-wide rules. Notwithstanding the provisions of WAC 232-12-619 and WAC 232-28-619, effective 12:01 a.m. September 1, 1997, until further notice, Coffe Pot Lake (Lincoln County): **Closed water.**

Reviser's note: The spelling error in the above section occurred in the copy filed by the agency and appears in the Register pursuant to the requirements of RCW 34.08.040.

**WSR 97-18-005
EMERGENCY RULES
DEPARTMENT OF
FISH AND WILDLIFE
(Fisheries)**

[Order 97-173—Filed August 21, 1997, 4:46 p.m., effective August 22, 1997, noon]

Date of Adoption: August 21, 1997.

Purpose: Commercial fishing regulations.

Citation of Existing Rules Affected by this Order:
Repealing WAC 220-44-05000G; and amending WAC 220-44-050.

Statutory Authority for Adoption: RCW 75.08.080.

Under RCW 34.05.350 the agency for good cause finds that immediate adoption, amendment, or repeal of a rule is necessary for the preservation of the public health, safety, or general welfare, and that observing the time requirements of notice and opportunity to comment upon adoption of a permanent rule would be contrary to the public interest.

Reasons for this Finding: This regulation is necessary to achieve conservation goals and to maintain consistency between state and federal regulations. There is insufficient time to promulgate permanent rules.

Number of Sections Adopted in Order to Comply with Federal Statute: New 0, amended 0, repealed 0; Federal Rules or Standards: New 0, amended 0, repealed 0; or Recently Enacted State Statutes: New 0, amended 0, repealed 0.

Number of Sections Adopted at Request of a Nongovernmental Entity: New 0, amended 0, repealed 0.

Number of Sections Adopted on the Agency's own Initiative: New 1, amended 0, repealed 1.

Number of Sections Adopted in Order to Clarify, Streamline, or Reform Agency Procedures: New 0, amended 0, repealed 0.

Number of Sections Adopted using Negotiated Rule Making: New 0, amended 0, repealed 0; Pilot Rule Making: New 0, amended 0, repealed 0; or Other Alternative Rule Making: New 0, amended 0, repealed 0.

Effective Date of Rule: August 22, 1997, noon.

August 22 [21], 1997

Dirk Brazil

for Bern Shanks

Director

NEW SECTION

WAC 220-44-05000H Coastal bottomfish catch limits. Notwithstanding the provisions of WAC 220-44-050, effective noon, 12:00 noon August 22, 1997 until further notice it is unlawful to possess, transport through the waters of the state or land in any Washington State port bottomfish taken from Marine Fish-Shellfish Management and Catch Reporting Areas 29, 58B, 59A, 59B, 60A, 61, 62, or 63 in excess of the amounts or less than the minimum sizes shown below for the following species:

1. The following definitions apply to this section:

a. Cumulative limit - A cumulative limit is the maximum amount of fish that may be taken and retained, possessed or landed per vessel per calendar month, without a limit on the number of landings or trips. The cumulative limit includes all fish harvested by a vessel during the

EMERGENCY

month, whether taken in limited entry or open access fisheries. Once a cumulative limit has been achieved, an operator may begin fishing on the next cumulative limit so long as the fish are not landed until after the beginning of the next cumulative limit.

b. Two-month cumulative limit is the maximum amount of fish that may be taken and retained, possessed or landed per vessel per two, fixed calendar months, without a limit on the number of landings or trips. The fixed two-two month periods are January-February, March-April, May-June, July-August, September-October and November-December, except for vessels that have elected to be endorsed in the "B-platoon" on their trawl federal limited entry permit. Two-month cumulative limits for B-platoon vessels begin on the 16th of the calendar month. These periods are: July 16-September 15, September 16-November 15, November 16-December 31. It is unlawful for vessels in the B-platoon to land groundfish during 1997 prior to January 16, 1997. No more than sixty percent of any two-month cumulative limit may be taken and retained, possessed or landed per vessel in either calendar month of the fixed, two-month period, except for vessels in the B-platoon during the final period of the calendar year. The cumulative 2-month limit for this shortened period (November 16-December 31) may be taken in any number of trips during the period with no sixty percent per month restriction. The first calendar month for purposes of the 60 percent restriction for B-platoon vessels in other periods shall be defined as the period beginning on the 16th of the month in which the trip limit begins through the 15th of the following month. The second calendar month period shall be defined as beginning on the 16th of the second month in the period through the end of the cumulative period. The two-month cumulative limit includes all fish harvested by a vessel during the two-month period, whether taken in limited entry or open access fisheries. Once a two-month cumulative limit has been achieved, an operator may begin fishing on the next two-month cumulative limit so long as the fish are not landed until after the beginning of the next two-month cumulative period.

c. Daily trip limit - The maximum amount of fish that may be taken and retained, possessed or landed per vessel from a single fishing trip in 24 consecutive hours, starting at 0001 hours.

d. Groundfish limited entry fishery - Fishing activity by a trawl, setline or bottomfish pot equipped vessel that has received a federal limited entry permit issued by the National Marine Fisheries Service endorsed for the qualifying gear type.

e. Groundfish open access fishery - Fishing activity by a vessel equipped with setline or bottomfish pot gear that has not received a federal limited entry permit, or a vessel using gear other than trawl, setline or bottomfish pot gear.

f. Vessel trip - A vessel trip is defined as having occurred upon the initiation of transfer of catch from a fishing vessel.

g. Vessel trip limit - The amount of fish that may not be exceeded per vessel trip. All fish aboard a fishing vessel upon the initiation of transfer of catch are to be counted towards the vessel trip limit.

h. Dressed length - The dressed length of a fish is the distance from the anterior insertion of the first dorsal fin to the tip of the tail.

2. Groundfish limited entry fishery limits. The following limits apply to the groundfish limited entry fishery in Coastal Marine Fish-Shellfish Management and Catch Reporting Areas 58B, 59A, 59B, 60A, 61, 62, and 63, and apply to all listed bottomfish species and species complexes taken in Puget Sound Marine Fish-Shellfish Management and Catch Reporting Area 29 (notwithstanding the provisions of WAC 220-44-030):

a. **Pacific ocean perch** - Two-month cumulative limit of 8,000 pounds. No minimum size.

b. **Widow rockfish** - Two-month cumulative limit of 60,000 pounds.

c. **Shortbelly rockfish** - No minimum size. No maximum poundage.

d. **Black rockfish** - The vessel trip limit for black rockfish for commercial fishing vessels using hook-and-line gear between the U.S. Canada border and Cape Alava (48°09'30" N. latitude) and between Destruction Island (47°40'00" N. latitude) and Leadbetter Point (46°38'10" N. latitude), is 100 pounds (round weight) or 30 percent by weight of all fish on board including salmon, whichever is greater, per vessel trip.

e. **Sebastes complex** - All species of rockfish except Pacific ocean perch, widow, shortbelly, and thornyhead (*Sebastes* spp.) Two-month cumulative limit of 30,000 pounds, of which no more than 6,000 pounds may be yellowtail rockfish and no more than 14,000 pounds may be canary rockfish.

f. **DTS Complex - (Sablefish, Dover sole and thornyhead rockfish)** - Two-month cumulative limit of 57,000 pounds, of which not more than 30,000 pounds may be Dover sole; not more than 12,000 pounds may be sablefish and not more than 15,000 pounds may be thornyhead rockfish. Of the thornyhead rockfish, not more than 3,000 pounds may be shortspine thornyhead.

g. **Sablefish** -

(1) **Trawl vessels** - Not more than 500 pounds (round weight) of sablefish per trip may be smaller than 22 inches. Sablefish total length of 22 inches is equivalent to dressed length of 15.5 inches. To convert sablefish from dressed length to round weight, multiply the dressed weight by 1.6.

(2) **Non-trawl vessels** - Daily trip limit of 300 pounds (round weight) not to exceed 600 pounds in any calendar month. No minimum size. All Sablefish taken prior to 12:00 noon August 23 must be landed prior to 12:00 noon August 23. Effective 12:00 noon, August 23 through 12:00 noon, August 25, illegal to take, possess, transport or land sablefish taken with non-trawl gear. During this period, **all** non-trawl groundfish fixed gear must be out of the water. Effective 12:00 noon, August 25, through noon, September 3, cumulative limit of 34,000 pounds (round weight) may be landed by fishers possessing a federal groundfish limited entry permit WITH a sablefish endorsement. Not more than 1,500 pounds (round weight) or 3% of sablefish greater than 22 inches (total length) may be sablefish less than 22 inches (15.5 inches dressed, head off). During this period, the non-trawl sablefish fishery remains closed for limited entry fishers with no sablefish endorsement. It is unlawful to land more than 300 pounds of Sablefish after 12:00 noon September 3. Effective 12:00 noon, September 3, through 12:00 noon, September 5, illegal to take sablefish with non-trawl gear. During this period, **all** non-trawl groundfish fixed gear

must be out of the water. During this 48-hour closure, fishers may land fish taken during the limited entry cumulative limit fishery. Effective 12:00 noon, September 5, daily trip limit of 300 pounds (round weight) not to exceed 600 pounds in any calendar month.

h. **Pacific Whiting** - 10,000 pound vessel trip limit. No minimum size.

i. **Lingcod** - Two-month cumulative limit of 30,000 pounds. Total length minimum size limit of 22 inches. Lingcod total length of 22 inches is equivalent to dressed length of 18 inches. To convert lingcod from dressed weight to round weight, multiply the dressed weight by 1.5. To convert lingcod from dressed, head on (gutted only), weight, multiply the dressed weight by 1.1.

(1) It shall be lawful to land up to 100 pounds of lingcod under 22 inches taken in the trawl fishery only.

3. **Groundfish open access fishery limits.** The following limits apply to the groundfish open access fishery in Coastal Marine Fish-Shellfish Management and Catch Reporting Areas 58B, 59A, 59B, 60A, 61, 62, and 63, and apply to all listed species and species complexes taken in Puget Sound Marine Fish-Shellfish Management and Catch Reporting Area 29 (notwithstanding the provisions of WAC 220-44-030). Notwithstanding the provisions of this subsection, no groundfish open access fishery limit may exceed a groundfish limited entry fishery daily, vessel or cumulative limit:

(a) **Sablefish** - Daily trip limit of 300 pounds (round weight) not to exceed 600 pounds in any calendar month. No minimum size. All Sable fish taken prior to 12:00 noon August 23 must be landed prior to 12:00 noon August 23. Effective 12:00 noon, August 23 through 12:00 noon, August 25, illegal to take, possess, transport or land sablefish taken with non-trawl gear. During this period, all non-trawl groundfish fixed gear must be out of the water. Effective 12:00 noon, August 25, Daily trip limit of 300 pounds (round weight) not to exceed 600 pounds in any calendar month. It is unlawful to land more than 300 pounds of Sablefish after 12:00 noon September 3. Effective 12:00 noon, September 3, through 12:00 noon, September 5, illegal to take, possess, transport or land sablefish taken with non-trawl gear. During this period, all non-trawl groundfish fixed gear must be out of the water. Effective noon, September 5, Daily trip limit of 300 pounds (round weight) not to exceed 600 pounds in any calendar month. No minimum size.

(b) **Rockfish** - Vessel trip limit of 10,000 pounds. Cumulative limit of 40,000 pounds.

(c) **Black rockfish** - The vessel trip limit for black rockfish for commercial fishing vessels using hook-and-line gear between the U.S. Canada border and Cape Alava (48°09'30"N. latitude) and between Destruction Island (47°40'00" N. latitude) and Leadbetter Point (46°38'10" N. latitude, is 100 pounds (round weight) or 30 percent by weight of al fish on board including salmon, whichever is greater, per vessel trip.

(d) **Lingcod** - cumulative limit of 15,000 pounds. Total length minimum size limit of 22 inches. Lingcod total length of 22 inches is equivalent to dressed length of 18 inches. To convert lingcod from dressed weight to round weight, multiply the dressed weight by 1.5. To convert

lingcod from dressed, head on (gutted only), weight, multiply the dressed weight by 1.1.

(e) **Thornyhead rockfish** - Illegal to take, possess, transport or land thornyhead rockfish.

(f) Setline gear in Area 29.

It is lawful to use setline gear in Area 29, except that it is unlawful to retain rockfish and lingcod with a cumulative weight greater than thirty percent of all fish a board not to exceed 100 pounds. Maximum one vessel trip per day.

4. It is unlawful during the unloading of the catch and prior to its being weighed or leaving the unloading facility to intermix with any other species or category of bottomfish having a cumulative limit, vessel trip limit or daily trip limit.

5. The fisher's copy of all fish receiving tickets showing landings of species provided for in this section shall be retained aboard the landing vessel for 90 days after landing.

Reviser's note: The typographical errors in the above section occurred in the copy filed by the agency and appear in the Register pursuant to the requirements of RCW 34.08.040.

Reviser's note: The spelling error in the above section occurred in the copy filed by the agency and appears in the Register pursuant to the requirements of RCW 34.08.040.

REPEALER

The following section of the Washington Administrative Code is repealed effective 12:00 p.m. August 22, 1997:

WAC 220-44-05000G Coastal bottomfish catch limits. (97-112)

WSR 97-18-012 EMERGENCY RULES DEPARTMENT OF FISH AND WILDLIFE (Fisheries)

[Order 97-172—Filed August 22, 1997, 4:46 p.m., effective August 24, 1997, 12:01 a.m.]

Date of Adoption: August 22, 1997.

Purpose: Commercial fishing regulations.

Citation of Existing Rules Affected by this Order:
Repealing WAC 220-47-809.

Statutory Authority for Adoption: RCW 75.08.080.

Under RCW 34.05.350 the agency for good cause finds that immediate adoption, amendment, or repeal of a rule is necessary for the preservation of the public health, safety, or general welfare, and that observing the time requirements of notice and opportunity to comment upon adoption of a permanent rule would be contrary to the public interest.

Reasons for this Finding: A harvestable surplus of sockeye and pink salmon is available, as determined by the Fraser River Salmon Management Forum. Openings in Areas 7 and 7A are consistent with management agreements among parties within this forum, and provide opportunity to harvest the nontreaty allocation of Fraser River-origin sockeye and pink salmon relative to preseason run size forecasts and in-season run size updates, relative to a target of over 900,000 sockeye remaining in the nontreaty allocation. Requirement for purse seine and reef net release of chinook salmon necessary due to higher than anticipated

chinook incidental harvests and to protect weak chinook stocks.

Opening in Areas 7B and 7C provides opportunity to harvest the nontreaty allocation of chinook salmon destined for the Nooksack-Samish region, per preseason schedule. Openings in Area 8 provide opportunity to harvest the nontreaty allocation of pink salmon destined for the Skagit region of origin, per preseason schedule. Purse seine release of chinook in Area 8 is necessary to protect weak stocks. The area restriction in southern Area 8 is consistent with RCW 75.12.010(4). These openings and restrictions are consistent with agreements reached during the Pacific Fisheries Management Council - North of Falcon preseason process, and reflect the schedule adopted by the Washington Fish and Wildlife Commission.

All other Puget Sound areas are closed to prevent overharvest of local salmon stocks.

Atlantic salmon have recently escaped from commercial net pen operations in the Puget Sound region, and removal of this nonnative species is required to reduce any possibility of adverse impacts on indigenous fishes.

An emergency exists in that there is insufficient time to promulgate permanent rules before the fish have moved from the fishing grounds.

Number of Sections Adopted in Order to Comply with Federal Statute: New 0, amended 0, repealed 0; Federal Rules or Standards: New 0, amended 0, repealed 0; or Recently Enacted State Statutes: New 0, amended 0, repealed 0.

Number of Sections Adopted at Request of a Nongovernmental Entity: New 0, amended 0, repealed 0.

Number of Sections Adopted on the Agency's own Initiative: New 1, amended 0, repealed 1.

Number of Sections Adopted in Order to Clarify, Streamline, or Reform Agency Procedures: New 0, amended 0, repealed 0.

Number of Sections Adopted using Negotiated Rule Making: New 0, amended 0, repealed 0; Pilot Rule Making: New 0, amended 0, repealed 0; or Other Alternative Rule Making: New 0, amended 0, repealed 0.

Effective Date of Rule: August 24, 1997, 12:01 a.m.

August 22, 1997

Bern Shanks
Director

NEW SECTION

WAC 220-47-810 Puget Sound all-citizen commercial salmon fishery. Notwithstanding the provisions of Chapter 220-47 WAC, effective 12:01 a.m. Sunday August 24, 1997 until further notice, it is unlawful to take, fish for, or possess salmon for commercial purposes taken from the following Puget Sound Salmon Management and Catch Reporting Areas except in accordance with the following open periods and mesh and area restrictions:

- * **AREA 7** - Reef nets may fish from 5:00 a.m. to 9:00 p.m. daily Sunday, August 24, 1997 through Monday August 25, 1997. Purse seines may fish from 5:00 a.m. to 9:00 p.m. Monday, August 25, 1997.
- * **AREA 7A** - Reef nets may fish from 5:00 a.m. to 9:00 p.m. daily Sunday, August 24, 1997 through Monday August 25, 1997. Purse seines may fish from 5:00 a.m.

to 9:00 p.m. Monday, August 25, 1997. Gillnets using 5-inch minimum, 6-inch maximum mesh may fish from 7:50 a.m. to 11:59 p.m. Sunday, August 24, 1997.

- * **AREAS 7B and 7C** - Gillnets using 7-inch minimum mesh may fish from 7:00 p.m. to 9:00 a.m. nightly, Monday August 25, 1997 and Tuesday August 26, 1997.
- * **AREA 8** - Gillnets using 5-inch minimum, 5 1/2-inch maximum mesh may fish from 6:00 a.m. to 9:00 p.m. daily, Monday August 25, 1997 and Tuesday August 26, 1997. Purse seines may fish from 5:00 a.m. to 9:00 p.m. daily, Wednesday August 27, 1997 and Thursday August 28, 1997. In addition to the exclusion zones listed in Section 220-47-307 WAC, Area 8 is closed south and west of a line projected from Rocky Point on Camano Island to Polnell Point on Whidbey Island.
- * Areas 4B, 5, 6, 6A, 6B, 6C, 6D, 7D, 7E, 8A, 8D, 9, 9A, 10, 10A, 10C, 10D, 10E, 10F, 10G, 11, 11A, 12, 12A, 12B, 12C, 12D, 13, 13A, 13C, 13D, 13E, 13F, 13G, 13H, 13I, 13J, and 13K, all freshwater areas, and exclusion zones provided for in WAC 220-47-307 - Closed.
- * Purse seines and reef nets may not retain chinook salmon in Areas 7, 7A or 8.
- * Atlantic salmon may be retained during openings listed in this section.

REPEALER

The following section of the Washington Administrative Code is repealed effective 12:01 a.m. Sunday August 24, 1997:

WAC 220-47-809 Puget Sound all-citizen commercial salmon fishery. (97-157)

**WSR 97-18-013
EMERGENCY RULES
DEPARTMENT OF
FISH AND WILDLIFE
(Fisheries)**

[Order 97-170—Filed August 22, 1997, 4:48 p.m., effective August 24, 1997, 8:00 p.m.]

Date of Adoption: August 22, 1997.

Purpose: Commercial fishing regulations.

Citation of Existing Rules Affected by this Order: Repealing WAC 220-33-01000Q; and amending WAC 220-33-010.

Statutory Authority for Adoption: RCW 75.08.080.

Under RCW 34.05.350 the agency for good cause finds that immediate adoption, amendment, or repeal of a rule is necessary for the preservation of the public health, safety, or general welfare, and that observing the time requirements of notice and opportunity to comment upon adoption of a permanent rule would be contrary to the public interest.

Reasons for this Finding: Harvestable numbers of salmon are available. Provides opportunity for non-Indians to harvest some of their share of fall chinook. This rule is consistent with the 1996-98 Management Agreement and the Endangered Species Act. There is insufficient time to promulgate permanent rules.

Number of Sections Adopted in Order to Comply with Federal Statute: New 0, amended 0, repealed 0; Federal Rules or Standards: New 0, amended 0, repealed 0; or Recently Enacted State Statutes: New 0, amended 0, repealed 0.

Number of Sections Adopted at Request of a Nongovernmental Entity: New 0, amended 0, repealed 0.

Number of Sections Adopted on the Agency's own Initiative: New 1, amended 0, repealed 1.

Number of Sections Adopted in Order to Clarify, Streamline, or Reform Agency Procedures: New 0, amended 0, repealed 0.

Number of Sections Adopted using Negotiated Rule Making: New 0, amended 0, repealed 0; Pilot Rule Making: New 0, amended 0, repealed 0; or Other Alternative Rule Making: New 0, amended 0, repealed 0.

Effective Date of Rule: August 24, 1997, 8:00 p.m.

August 22, 1997

Dirk Brazil
for Bern Shanks
Director

NEW SECTION

WAC 220-33-01000R Columbia River gillnet seasons below Bonneville. Notwithstanding the provisions of WAC 220-33-010, WAC 220-33-020, and WAC 220-33-030, it is unlawful for a person to take or possess salmon, shad, and sturgeon taken for commercial purposes from Columbia River Salmon Management and Catch Reporting Areas 1A, 1B, 1C, 1D, and 1E except during the times and conditions listed:

Area: Big Creek Terminal Area

Description: The Big Creek terminal salmon fishing area is Calendar and Big Creeks sloughs east from boundary markers at the west end of Minaker Island, upstream to marker at south bank at mouth of Blind Slough across to a marker on the north bank of Blind Slough, thence west to a marker on Karlson Island, except within a 100 foot radial closure at the mouth of Big Creek.

Season: 7:00 p.m. September 2 to 7:00 p.m. September 4, 1997;

7:00 p.m. September 9 to 7:00 p.m. September 11, 1997.

Gear: 100 fathoms maximum length.

No limit on amount of weight on lead line.

No mesh restriction.

Allowable Sale: Salmon and sturgeon

Area: Blind Slough Terminal Fishery

Description: In Blind Slough, from the railroad bridge downstream to markers at the mouth of Blind Slough and for Oregon license holders upstream to markers at the mouth of Gnat Creek.

Season: 7:00 p.m. Mondays to 7:00 a.m. Tuesdays;

7:00 p.m. Tuesday to 7:00 a.m. Wednesday
of each week beginning September 8 through September

23, 1997;

6:00 p.m. Sunday to 8:00 a.m. Monday;

6:00 p.m. Monday to 8:00 a.m. Tuesday;

6:00 p.m. Tuesday to 8:00 a.m. Wednesday;

of each week beginning September 28 through October 21, 1997.

Gear: Nets restricted to 50 fathoms in length.

No weight restriction on lead line.

No mesh restriction.

Allowable sale: Salmon

Area: Tongue Point Terminal Fishery

Description: Tongue Point basin is open to fishing in all waters bounded by a line from the red light at Tongue Point to the flashing green light at the rock jetty on the northwesterly tip of Mott Island, a line from a marker at the south end of Mott Island easterly to a marker on the northwest bank on Lois Island, and a line from a marker on the southwest end of Lois Island due westerly to a marker on the opposite bank.

Season: 7:00 p.m. Wednesdays to 7:00 a.m. Thursdays;
7:00 p.m. Thursdays to 7:00 a.m. Fridays
of each week beginning September 3 through September 25, 1997

6:00 p.m. Wednesdays to 8:00 a.m. Thursday;

6:00 p.m. Thursdays to 8:00 a.m. Fridays
of each week beginning October 1 through October 23, 1997.

Gear: Nets restricted to maximum length of 250 fathoms.

Weight on lead line not to exceed 2 pounds on any one fathom.

No mesh restriction.

Allowable sale: Salmon

Area: Deep River Terminal Fishery

Description: In Deep River, from the town of Deep River to the mouth of Deep River defined by a marker at Miller Point westerly to a marker on the opposite bank. Area from town of Deep River downstream to Highway 4 Bridge open only to Washington license holders.

Season: 7:00 p.m. Mondays to 7:00 a.m. Tuesdays;
7:00 p.m. Tuesdays to 7:00 a.m. Wednesdays;
of each week beginning September 8 through September 23, 1997.

6:00 p.m. Sundays to 8:00 a.m. Mondays;

6:00 p.m. Mondays to 8:00 a.m. Tuesdays;

6:00 p.m. Tuesdays to 8:00 a.m. Wednesdays;
of each week beginning September 28 through October 21, 1997.

Gear: Nets restricted to 100 fathoms in length.

No weight restriction on lead line.

No mesh restrictions.

Allowable Sale: Salmon

Additional Rule: For all areas listed above it is unlawful to transport fish outside of the fishing area when the adjacent mainstem Columbia River is closed unless by licensed buyer, or if the catch has been "sampled" by a representative of the Washington Department of Fish and Wildlife. "Sampled" means the catch was examined and a permit was issued.

Area: Shad Area 2S as defined in WAC 220-33-030

Season: 8:00 p.m. August 24 to 6:00 a.m. August 25, 1997.

Gear: 9 inch minimum mesh and 9-3/4 inch maximum mesh.

Allowable sale: Salmon and sturgeon.

Reviser's note: The typographical error in the above section occurred in the copy filed by the agency and appears in the Register pursuant to the requirements of RCW 34.08.040.

REPEALER

The following section of the Washington Administrative Code is repealed:

WAC 220-33-01000Q Columbia River gillnet seasons below Bonneville. (97-152)

**WSR 97-18-018
EMERGENCY RULES
DEPARTMENT OF
FISH AND WILDLIFE
(Fisheries)**

[Order 97-174—Filed August 25, 1997, 4:37 p.m., effective August 26, 1997, 12:01 a.m.]

Date of Adoption: August 25, 1997.

Purpose: Commercial fishing regulations.

Citation of Existing Rules Affected by this Order:
Repealing WAC 220-47-810.

Statutory Authority for Adoption: RCW 75.08.080.

Under RCW 34.05.350 the agency for good cause finds that immediate adoption, amendment, or repeal of a rule is necessary for the preservation of the public health, safety, or general welfare, and that observing the time requirements of notice and opportunity to comment upon adoption of a permanent rule would be contrary to the public interest.

Reasons for this Finding: A harvestable surplus of sockeye and pink salmon is available, as determined by the Fraser River Salmon Management Forum. Openings in Areas 7 and 7A are consistent with management agreements among parties within this forum, and provide opportunity to harvest the nontreaty allocation of Fraser River-origin sockeye and pink salmon relative to preseason run size forecasts and in-season run size updates, relative to a target of over 900,000 sockeye remaining in the nontreaty allocation. Requirement for reef net release of chinook salmon necessary due to higher than anticipated chinook incidental harvests and to protect weak chinook stocks.

Opening in Areas 7B and 7C provides opportunity to harvest the nontreaty allocation of chinook salmon destined for the Nooksack-Samish region, per preseason schedule. Openings in Area 8 provide opportunity to harvest the nontreaty allocation of pink salmon destined for the Skagit region of origin, per preseason schedule. Purse seine release of chinook in Area 8 is necessary to protect weak stocks. The area restriction in southern Area 8 is consistent with RCW 75.12.010(4). These openings and restrictions are consistent with agreements reached during the Pacific Fisheries Management Council - North of Falcon preseason process, and reflect the schedule adopted by the Washington Fish and Wildlife Commission.

All other Puget Sound areas are closed to prevent overharvest of local salmon stocks.

Atlantic salmon have recently escaped from commercial net pen operations in the Puget Sound region, and removal

of this nonnative species is required to reduce any possibility of adverse impacts on indigenous fishes.

An emergency exists in that there is insufficient time to promulgate permanent rules before the fish have moved from the fishing grounds.

Number of Sections Adopted in Order to Comply with Federal Statute: New 0, amended 0, repealed 0; Federal Rules or Standards: New 0, amended 0, repealed 0; or Recently Enacted State Statutes: New 0, amended 0, repealed 0.

Number of Sections Adopted at Request of a Nongovernmental Entity: New 0, amended 0, repealed 0.

Number of Sections Adopted on the Agency's own Initiative: New 1, amended 0, repealed 1.

Number of Sections Adopted in Order to Clarify, Streamline, or Reform Agency Procedures: New 0, amended 0, repealed 0.

Number of Sections Adopted using Negotiated Rule Making: New 0, amended 0, repealed 0; Pilot Rule Making: New 0, amended 0, repealed 0; or Other Alternative Rule Making: New 0, amended 0, repealed 0.

Effective Date of Rule: August 26, 1997, 12:01 a.m.

August 25, 1997

Bern Shanks

Director

NEW SECTION

WAC 220-47-811 Puget Sound all-citizen commercial salmon fishery. Notwithstanding the provisions of Chapter 220-47 WAC, effective 12:01 a.m. Tuesday August 26, 1997 until further notice, it is unlawful to take, fish for, or possess salmon for commercial purposes taken from the following Puget Sound Salmon Management and Catch Reporting Areas except in accordance with the following open periods and mesh and area restrictions:

- * **AREA 7** - Reef nets may fish from 5:00 a.m. to 9:00 p.m. daily Tuesday, August 26, 1997 through Wednesday August 27, 1997.
- * **AREA 7A** - Reef nets may fish from 5:00 a.m. to 9:00 p.m. daily Tuesday, August 26, 1997 through Wednesday August 27, 1997. Gillnets using 5-inch minimum, 6-inch maximum mesh may fish from 7:50 a.m. to 11:59 p.m. daily Tuesday, August 26, 1997 through Wednesday August 27, 1997.
- * **AREAS 7B and 7C** - Gillnets using 7-inch minimum mesh may fish from 7:00 p.m. to 9:00 a.m. nightly, Monday August 25, 1997 and Tuesday August 26, 1997.
- * **AREA 8** - Gillnets using 5-inch minimum, 5 1/2-inch maximum mesh may fish from 6:00 a.m. to 9:00 p.m. Tuesday August 26, 1997. Purse seines may fish from 5:00 a.m. to 9:00 p.m. daily, Wednesday August 27, 1997 and Thursday August 28, 1997. In addition to the exclusion zones listed in Section 220-47-307 WAC, Area 8 is closed south and west of a line projected from Rocky Point on Camano Island to Polnell Point on Whidbey Island.
- * Areas 4B, 5, 6, 6A, 6B, 6C, 6D, 7D, 7E, 8A, 8D, 9, 9A, 10, 10A, 10C, 10D, 10E, 10F, 10G, 11, 11A, 12, 12A, 12B, 12C, 12D, 13, 13A, 13C, 13D, 13E, 13F, 13G, 13H, 13I, 13J, and 13K, all freshwater areas, and

exclusion zones provided for in WAC 220-47-307 - Closed.

August 25, 1997
Bern Shanks
Director

- * Purse seines and reef nets may not retain chinook salmon in Areas 7, 7A or 8.
- * Atlantic salmon may be retained during openings listed in this section.

REPEALER

The following section of the Washington Administrative Code is repealed effective 12:01 a.m. Tuesday August 26, 1997:

WAC 220-47-810 Puget Sound all-citizen commercial salmon fishery. (97-172)

**WSR 97-18-034
EMERGENCY RULES
DEPARTMENT OF
FISH AND WILDLIFE
(Fisheries)**

[Order 97-171—Filed August 27, 1997, 10:19 a.m., effective September 2, 1997, 12:01 a.m.]

Date of Adoption: August 25, 1997.

Purpose: Personal use rules.

Citation of Existing Rules Affected by this Order: Repealing WAC 220-56-28500L; and amending WAC 220-56-285.

Statutory Authority for Adoption: RCW 75.08.080.

Under RCW 34.05.350 the agency for good cause finds that immediate adoption, amendment, or repeal of a rule is necessary for the preservation of the public health, safety, or general welfare, and that observing the time requirements of notice and opportunity to comment upon adoption of a permanent rule would be contrary to the public interest.

Reasons for this Finding: This regulation is necessary to keep the recreational harvest of sturgeon from John Day Reservoir and its tributaries within the established guidelines as agreed to by state and tribal managers in the Columbia River. There is insufficient time to promulgate permanent regulation.

Number of Sections Adopted in Order to Comply with Federal Statute: New 0, amended 0, repealed 0; Federal Rules or Standards: New 0, amended 0, repealed 0; or Recently Enacted State Statutes: New 0, amended 0, repealed 0.

Number of Sections Adopted at Request of a Nongovernmental Entity: New 0, amended 0, repealed 0.

Number of Sections Adopted on the Agency's own Initiative: New 1, amended 0, repealed 1.

Number of Sections Adopted in Order to Clarify, Streamline, or Reform Agency Procedures: New 0, amended 0, repealed 0.

Number of Sections Adopted using Negotiated Rule Making: New 0, amended 0, repealed 0; Pilot Rule Making: New 0, amended 0, repealed 0; or Other Alternative Rule Making: New 0, amended 0, repealed 0.

Effective Date of Rule: September 2, 1997, 12:01 a.m.

NEW SECTION

WAC 220-56-28500M Sturgeon—Areas and seasons. Notwithstanding the provisions of WAC 220-56-285, effective 12:01 a.m. September 2, 1997 until further notice, it is unlawful to retain sturgeon from the Columbia River and its tributaries from John Day Dam to McNary Dam.

REPEALER

The following section of the Washington Administrative Code is repealed effective 12:01 a.m. September 2, 1997:

WAC 220-56-28500L Sturgeon—Areas and seasons. (97-111)

**WSR 97-18-036
EMERGENCY RULES
SUPERINTENDENT OF
PUBLIC INSTRUCTION**

[Filed August 27, 1997, 10:45 a.m.]

Date of Adoption: August 26, 1997.

Purpose: WAC 392-140-450 through 392-140-497 which governed the allocation of state funding for K-3 certificated instructional staff enhancement were inadvertently repealed. Readoption of the rule is essential to the determination and apportionment of state funding for the current and 1997-98 school year whose commencement is imminent.

Citation of Existing Rules Affected by this Order: Repealed chapter 392-140 WAC, K-3 Enhancement ratio component.

Statutory Authority for Adoption: RCW 28A.150.290.

Other Authority: Biennial Operating Appropriations Act.

Under RCW 34.05.350 the agency for good cause finds that state or federal law or federal rule or a federal deadline for state receipt of federal funds requires immediate adoption of a rule.

Reasons for this Finding: See Purpose above.

Number of Sections Adopted in Order to Comply with Federal Statute: New 0, amended 0, repealed 0; Federal Rules or Standards: New 0, amended 0, repealed 0; or Recently Enacted State Statutes: New 0, amended 0, repealed 0.

Number of Sections Adopted at Request of a Nongovernmental Entity: New 0, amended 0, repealed 0.

Number of Sections Adopted on the Agency's own Initiative: New 0, amended 0, repealed 0.

Number of Sections Adopted in Order to Clarify, Streamline, or Reform Agency Procedures: New 0, amended 0, repealed 0.

Number of Sections Adopted using Negotiated Rule Making: New 0, amended 0, repealed 0; Pilot Rule Making: New 0, amended 0, repealed 0; or Other Alternative Rule Making: New 0, amended 0, repealed 0.

Effective Date of Rule: Immediately.

EMERGENCY

August 26, 1997
Dr. Terry Bergeson
Superintendent of
Public Instruction

**K-3 STAFF
ENHANCEMENT**

NEW SECTION

WAC 392-140-700 K-3 Staff enhancement—Applicable provisions. The provisions of WAC 392-140-700 through 392-140-747 apply to the determination of staff/student ratios used in apportionment of state basic education moneys to school districts based on the district's kindergarten through third grade (K-3) staff and students. Compliance with these sections does not assure compliance with:

(1) RCW 28A.150.100(2), which requires each school district to maintain a ratio of at least forty-six basic education certificated instructional staff per thousand annual average full-time equivalent students; or

(2) RCW 28A.150.250, which requires that the ratio of students per classroom teacher in grades kindergarten through three be no greater than the ratio of students per classroom teacher in grades four and above.

NEW SECTION

WAC 392-140-701 K-3 Staff enhancement—Authority. The authority for WAC 392-140-700 through 392-140-747 is:

(1) The Biennial Operating Appropriations Act established by the legislature for each school year; and
(2) RCW 28A.150.290(1).

NEW SECTION

WAC 392-140-702 K-3 Staff enhancement—Purpose. The purpose of WAC 392-140-700 through 392-140-747 is to set forth the policies and procedures used by the superintendent of public instruction to determine the amount of moneys to be provided to school districts for certificated instructional staff above that set forth in RCW 28A.150.260 (2)(c).

NEW SECTION

WAC 392-140-710 K-3 Staff enhancement—Definition—Academic year. As used in WAC 392-140-700 through 392-140-747 "academic year" means any nine-month period within the school year in which the minimum one hundred eighty school days required by law is conducted.

NEW SECTION

WAC 392-140-711 K-3 Staff enhancement—Definition—S-275. "S-275" means the S-275 reporting process defined in WAC 392-121-220.

NEW SECTION

WAC 392-140-712 K-3 Staff enhancement—Definition—SPI Form S-277. "SPI Form S-277" means the form provided, for school years through 1994-95 by the

superintendent of public instruction on which school districts report information about each classified employee of the school district as of October 1 of the school year including the employee's name, Social Security number, working hours, assignments, rate of pay, and benefits.

NEW SECTION

WAC 392-140-713 K-3 Staff enhancement—Definition—SPI Form 1158. "SPI Form 1158" means the form provided by the superintendent of public instruction on which school districts report supplemental full-time equivalent (FTE) staff and/or supplemental K-3 FTE staff for the school year.

NEW SECTION

WAC 392-140-714 K-3 Staff enhancement—Definition—SPI Report 1159. "SPI Report 1159" means the report produced by the superintendent of public instruction displaying the calculations of K-3 certificated instructional staffing and K-3 apportionment ratios and other information as necessary.

NEW SECTION

WAC 392-140-715 K-3 Staff enhancement—Definition—SPI Form 1160. "SPI Form 1160" means the form provided by the superintendent of public instruction on which school districts may select the period of enrollment the superintendent of public instruction shall use to calculate staffing ratios.

NEW SECTION

WAC 392-140-716 K-3 Staff enhancement—Definition—SPI Form 1230. "SPI Form 1230" means the form provided by the superintendent of public instruction on which school districts report 1989-90 FTE K-3 basic education classified instructional assistants.

NEW SECTION

WAC 392-140-720 K-3 Staff enhancement—Definition—FTE K-3 basic education enrollment. "FTE K-3 basic education enrollment" means the school district's enrollment for October or for such other period selected by the school district on SPI Form 1160 determined as follows:

(1) Sum FTE K-3 students reported by a school district pursuant to WAC 392-121-122 (1) and (2); and

(2) For school years through 1994-95 subtract special education FTE students of ages six through eight calculated pursuant to WAC 392-122-131 based on enrollment reported by a school district pursuant to WAC 392-122-106.

NEW SECTION

WAC 392-140-721 K-3 Staff enhancement—Definition—FTE basic education certificated instructional employee. "FTE basic education certificated instructional employee" means the FTE calculated pursuant to WAC 392-121-215 for a basic education certificated instructional employee assigned in whole or in part to the following

programs as defined in the accounting manual for public school districts in the state of Washington:

- (1) Basic education, program 01;
- (2) Vocational, basic, state, program 31;
- (3) Skills center, basic, state, program 45;
- (4) Instruction support, program 94; and
- (5) District-wide support, program 97.

NEW SECTION

WAC 392-140-722 K-3 Staff enhancement—
Definition—FTE K-3 basic education certificated instructional employee. "FTE K-3 basic education certificated instructional employee" means for a FTE basic education certificated instructional employee the following:

- (1) If the basic education certificated instructional employees serves only K-3 students, one hundred percent of the FTE assigned to basic education; or
- (2) If the basic education certificated instructional employee serves K-3 students and students of one or more other grades, multiply the FTE assigned to basic education by:
 - (a) The proportion of time spent serving K-3 students to all time serving students;
 - (b) The proportion of K-3 students served to all students served; or
 - (c) Any combination of (a) or (b) of this subsection as appropriate.

NEW SECTION

WAC 392-140-723 K-3 Staff enhancement—
Definition—FTE K-3 basic education certificated instructional staff. "FTE K-3 basic education certificated instructional staff" means the sum of FTE K-3 basic education certificated instructional employees for a school district.

NEW SECTION

WAC 392-140-724 K-3 Staff enhancement—
Definition—Average basic education certificated instructional staff salary for the purpose of apportionment. "Average basic education certificated instructional staff salary for purpose of apportionment" means the average salary allocation amount for basic education certificated instructional staff determined by the superintendent of public instruction for general apportionment of state basic education moneys to a school district pursuant to WAC 392-121-299.

NEW SECTION

WAC 392-140-725 K-3 Staff enhancement—
Definition—Basic education classified instructional assistant. "Basic education classified instructional assistant" means a person who is assigned in whole or in part to:

- (1) Program 01-basic education, 31-vocational, basic, state, or 45-skills center, basic, state; and
- (2) Activity 27-teaching; and
- (3) Duty 910-aide.

NEW SECTION

WAC 392-140-726 K-3 Staff enhancement—
Definition—Basic education classified instructional assistant FTE. "Basic education classified instructional assistant FTE" means the number determined for a basic education classified instructional assistant as follows:

- (1) Determine the hours per year that the employee is assigned as a basic education classified instructional assistant; and
- (2) Divide by 2080.

NEW SECTION

WAC 392-140-727 K-3 Staff enhancement—
Definition—FTE K-3 basic education classified instructional assistants. "FTE K-3 basic education classified instructional assistants" means the number determined for a school district as follows:

- (1) For each basic education classified instructional assistant serving K-3 students determine an FTE as follows:
 - (a) If the basic education classified instructional assistant serves only K-3 students, one hundred percent of the FTE determined pursuant to WAC 392-140-726.
 - (b) If the basic education classified instructional assistant serves K-3 students and students of one or more other grades, multiply the FTE determined pursuant to WAC 392-140-726 by:
 - (i) The proportion of time spent serving K-3 students to all time serving students;
 - (ii) The proportion of K-3 students served to all students served; or
 - (iii) Any combination of (b)(i) or (ii) of this subsection as appropriate.
- (2) Sum the FTEs determined pursuant to subsection (1) of this section for all basic education classified instructional assistants of the school district.

NEW SECTION

WAC 392-140-728 K-3 Staff enhancement—
Definition—Instructional FTE. As used in WAC 392-140-700 through 392-140-747, "instructional FTE" means:

- (1) For basic education certificated instructional employee, the FTE determined pursuant to WAC 392-140-721.
- (2) For a basic education classified instructional assistant, the FTE determined pursuant to WAC 392-140-726.

NEW SECTION

WAC 392-140-730 K-3 Staff enhancement—
Definition—K-3 addition FTE. "K-3 addition FTE" means the increase in FTE calculated pursuant to WAC 392-140-733 for a K-3 basic education certificated instructional employee or a K-3 basic education classified instructional assistant who is not reported on the S-275 or for school years through 1994-95 on SPI Form S-277 (for a classified employee), or whose instructional FTE increases after October 1 of the school year.

NEW SECTION

WAC 392-140-731 K-3 Staff enhancement—
Definition—K-3 reduction FTE. "K-3 reduction FTE" means the decrease in K-3 FTE calculated pursuant to WAC 392-140-733 for a basic education certificated instructional employee or a basic education classified instructional assistant who is no longer employed or whose instructional FTE decreases after October 1 of the school year.

NEW SECTION

WAC 392-140-732 K-3 Staff enhancement—
Definition—K-3 reassignment FTE. "K-3 reassignment FTE" means the change in K-3 FTE calculated pursuant to WAC 392-140-733 for a basic education certificated instructional employee or a basic education classified instructional assistant after October 1 whose K-3 FTE changes as a result of reassignment but whose total instructional FTE does not change.

NEW SECTION

WAC 392-140-733 K-3 Staff enhancement—
Calculation of addition, reduction, and reassignment FTE. Addition, reduction, and reassignment FTE shall be calculated as follows:

(1) Determine the K-3 basic education FTE that would have been reported for the employee:

(a) In school years through 1994-95 on the S-275 (for a certificated instructional employee) or SPI Form S-277 (for a classified instructional assistant) if the employee had served the full academic year at the level of service after the change in service;

(b) In the 1995-96 school year and thereafter, on the S-275 if the employee had served the full academic year at the level of service after the change in service;

(2) Subtract the K-3 basic education FTE as of October 1 as reported for the employee on SPI Form S-275 (for a certificated instructional employee) or on SPI Form S-277 (for a classified instructional assistant) from the result obtained in subsection (1) of this section;

(3) Multiply the result obtained in subsection (2) of this section by the number of months remaining in the academic year that the employee serves at the level of service after the change in service, including the month of the change; and

(4) Divide the result obtained in subsection (3) of this section by nine.

NEW SECTION

WAC 392-140-735 K-3 Staff enhancement—
Definition—Supplemental FTE K-3 basic education certificated instructional staff. "Supplemental FTE K-3 basic education certificated instructional staff" means the sum of school district's K-3 addition, reduction, and reassignment FTEs for K-3 basic education certificated instructional staff.

NEW SECTION

WAC 392-140-736 K-3 Staff enhancement—
Definition—Supplemental FTE K-3 basic education classified instructional assistants. "Supplemental FTE K-3 basic education classified instructional assistants" means the sum of a school district's K-3 addition, reduction, and reassignment FTEs for K-3 basic education classified instructional assistants.

NEW SECTION

WAC 392-140-740 K-3 Staff enhancement—
Definition—K-3 certificated instructional staffing ratio. "K-3 certificated instructional staffing ratio" means the ratio calculated for a school district for a school year as follows:

(1) Add FTE K-3 basic education certificated instructional staff as reported on the S-275 and any supplemental FTE K-3 basic education certificated instructional staff as reported on SPI Form 1158;

(2) Divide the result of subsection (1) of this section by FTE K-3 basic education enrollment; and

(3) Multiply the result obtained in subsection (2) of this section by 1000.

NEW SECTION

WAC 392-140-741 K-3 Staff enhancement—
Definition—Actual average salary for basic education classified instructional assistants. "Actual average salary for basic education classified instructional assistants" means the dollar amount determined for a school district for a school year as follows:

(1) For each basic education classified instructional assistant reported:

(a) On SPI Form S-277 for school years through 1994-95 multiply the hours per day times the days per year times the hourly rate as reported on Form S-277;

(b) On the S-275 for a school year during the period 1995-96 and thereafter, determine the assignment salary as reported on the S-275;

(2) Sum the dollar amounts determined pursuant to subsection (1) of this section; and

(3) Divide the result of subsection (2) of this section by the sum of the school district's FTE basic education classified instructional assistants for the school year as reported on Form S-277 or the S-275.

NEW SECTION

WAC 392-140-742 K-3 Staff enhancement—
Definition—Increase in K-3 basic education classified instructional assistants from 1989-90. "Increase in K-3 basic education classified instructional assistants from 1989-90" means the greater of zero and the number calculated for a school district as follows:

(1) Sum FTE K-3 basic education classified instructional assistants reported for school years through 1994-95 on SPI Form S-277 or for the 1995-96 school year and thereafter on the S-275, and any supplemental FTE K-3 basic education classified instructional assistants as reported on SPI Form 1158; and subtract

(2) 1989-90 K-3 basic education classified instructional assistants as reported on SPI Form 1230.

NEW SECTION

WAC 392-140-743 K-3 Staff enhancement—Definition—Recognized certificated staff ratio equivalent of increased K-3 classified instructional assistants. "Recognized certificated staff ratio equivalent of increased K-3 classified instructional assistants" means the number calculated for a school district with a K-3 certificated instructional staffing ratio of 51.00 or greater and an increase in K-3 basic education classified instructional assistants from 1989-90 as follows:

- (1) Divide the increase in K-3 basic education classified instructional assistants from 1989-90 by FTE K-3 basic education enrollment;
- (2) Multiply the result of subsection (1) of this section by 1000;
- (3) Multiply the result of subsection (2) of this section by the ratio of actual average salary for basic education classified instructional assistants to average basic education certificated instructional staff salary for the purpose of apportionment;
- (4) The lesser of 1.30 and the result of subsection (3) of this section is the school district's recognized certificated staff ratio equivalent of increased K-3 classified instructional assistants.

NEW SECTION

WAC 392-140-744 K-3 Staff enhancement—School district reporting—Required reports. Each school district shall report to the superintendent of public instruction on the S-275 and for school years through 1994-95 on SPI Form S-277 the school district's FTE K-3 basic education certificated instructional staff and FTE K-3 basic education classified instructional assistants as of October 1 of the school year. School districts shall report pursuant to instructions provided by the superintendent of public instruction.

NEW SECTION

WAC 392-140-745 K-3 Staff enhancement—School district reporting—Optional reports. At any time prior to September 30 of the following school year school districts may report to the superintendent of public instruction:

- (1) Supplemental FTE K-3 staff for the school year on SPI Form 1158;
- (2) One of the following optional periods of enrollment on SPI Form 1160:
 - (a) Enrollment for any month of the school year; or
 - (b) Annual average enrollment for the school year; and
 - (3) 1989-90 FTE K-3 classified instructional assistants on SPI Form 1230.

NEW SECTION

WAC 392-140-746 K-3 Staff enhancement—Calculation of K-3 apportionment ratios. The superintendent of public instruction shall calculate each school district's ratio of state allocated certificated instructional staff units per one thousand K-3 students for state basic education apportionment as follows:

- (1) If the school district's K-3 certificated instructional staffing ratio is 49.00 or less, the district's K-3 apportionment ratio shall be 49.00.

(2) If the school district's K-3 certificated instructional staffing ratio is greater than 49.00, and less than 51.00, the district's K-3 apportionment ratio shall be the same as the district's K-3 certificated instructional staffing ratio.

(3) If the school district's K-3 certificated instructional staffing ratio is 51.00 or greater, the district's K-3 apportionment ratio shall be the lesser of:

- (a) 54.30; and
- (b) The sum of the district's K-3 certificated instructional staffing ratio and, if applicable, the district's recognized certificated staff ratio equivalent of increased K-3 classified instructional assistants.

NEW SECTION

WAC 392-140-747 K-3 Staff enhancement—Reporting by the superintendent of public instruction. The superintendent of public instruction shall report to school districts as follows:

(1) Prior to January 31 of each school year the superintendent of public instruction shall provide each school district an initial SPI Report 1159. The report shall include any supplemental data received from the school district prior to January 1 of the school year.

(2) Within thirty days of receiving any of the following data from a school district the superintendent of public instruction shall provide the school district with an interim SPI Report 1159:

- (a) Supplemental FTE K-3 staff on SPI Form 1158;
- (b) Selection of optional enrollment on SPI Form 1160;
- (c) Corrections to FTE K-3 basic education certificated instructional staff on the S-275; or
- (d) Corrections to FTE K-3 basic education classified instructional assistants on SPI Form S-277 or on the S-275.

(3) Prior to January 1 of the following school year, the superintendent of public instruction shall provide each school district a final SPI Report 1159. The report shall include supplemental data for the school year received from the school district prior to September 30 of the following school year.

(4) Reports shall show the school district's K-3 certificated instructional staffing ratio, recognized certificated staff ratio equivalent of increased K-3 classified instructional assistants, and K-3 apportionment ratio for the school year.

**WSR 97-18-051
EMERGENCY RULES
DEPARTMENT OF
SOCIAL AND HEALTH SERVICES
(Economic Services Administration)
(Public Assistance)**

[Filed August 28, 1997, 4:32 p.m., effective September 1, 1997]

Purpose: To implement ESB 6098 (1997) and EHB 3901 (1997) authorizing the Department of Social and Health Services to implement a food assistance program for legal immigrants, WAC 388-45-010.

Statutory Authority for Adoption: RCW 74.04.050, 74.04.057, 74.08.090.

Other Authority: Section 3, chapter 57, Laws of 1997.

Under RCW 34.05.350 the agency for good cause finds that state or federal law or federal rule or a federal deadline for state receipt of federal funds requires immediate adoption of a rule.

Reasons for this Finding: This rule establishes a program for legal immigrants adversely affected by federal welfare reform (Public Law 104-193, the Personal Responsibility and Work Opportunity Act of 1996) who will lose federal food stamp benefits effective August 31, 1997.

Number of Sections Adopted in Order to Comply with Federal Statute: New 0, amended 0, repealed 0; Federal Rules or Standards: New 0, amended 0, repealed 0; or Recently Enacted State Statutes: New 1, amended 0, repealed 0.

Number of Sections Adopted at Request of a Nongovernmental Entity: New 0, amended 0, repealed 0.

Number of Sections Adopted on the Agency's own Initiative: New 0, amended 0, repealed 0.

Number of Sections Adopted in Order to Clarify, Streamline, or Reform Agency Procedures: New 0, amended 0, repealed 0.

Number of Sections Adopted using Negotiated Rule Making: New 0, amended 0, repealed 0; Pilot Rule Making: New 0, amended 0, repealed 0; or Other Alternative Rule Making: New 0, amended 0, repealed 0.

Effective Date of Rule: September 1, 1997.

August 28, 1997

Merry A. Kogut, Manager
Rules and Policies Assistance Unit

NEW SECTION

WAC 388-45-010 Food assistance program for legal immigrants. (1) The following people are eligible for the state food assistance program for legal immigrants if otherwise eligible:

(a) An alien, lawfully admitted for permanent residence under the Immigration and Nationality Act (INA), who can not be credited with forty qualifying quarters of coverage as defined under Title II of the Social Security Act;

(b) A refugee, admitted to the United States under section 207 of the INA, when five years have passed since the date status was granted;

(c) An alien, granted asylum under section 208 of the INA, when five years have passed since the date status was granted;

(d) An alien whose deportation is being withheld under section 243(h) of the INA when five years have passed since the date status was granted;

(e) An alien who is lawfully present in the United States under section 212(d)(5) of INA or a grant of parole by the U. S. Attorney General;

(f) An alien who was granted conditional entry under section 203(a)(7) of the INA as in effect prior to March 18, 1980;

(g) An alien who entered the United States after March 17, 1980 and is lawfully present under section 203(a)(7) of the INA;

(h) An alien who:

(i) Entered the United States before January 1, 1972, or some later date as required by law; and

(ii) Has continuously maintained residency in the United States since then; and

(iii) Is not ineligible for citizenship but is considered to be lawfully admitted for permanent residence as a result of an exercise of discretion by the U. S. attorney general under section 249 of the Immigration and Nationality Act; or

(i) An alien who is:

(i) Granted family unity status by the Immigration and Naturalization Service; and

(ii) Whose spouse or parent is eligible to participate in the state food assistance program or the federally funded food stamp program.

(j) An aged, blind, or disabled alien admitted for temporary residence under section 245A of the INA; or

(k) An alien having temporary resident status as a special agricultural worker under section 210 of the Immigration and Nationality Act.

(2) The following persons are ineligible for the state food assistance program for legal immigrants:

(a) Alien visitors;

(b) Tourists;

(c) Diplomats;

(d) Students with temporary status; and

(e) Any person not specifically named in subsection (3) of this section.

(3) Persons who are eligible for the food assistance program will receive the same level of benefits equal to benefits provided by the federal food stamp program.

(4) When a household consists of both persons eligible for food assistance program benefits and persons eligible for federal food stamp program benefits, the total benefits will be equal to what the entire household would receive under the federal food stamp program if eligible.

**WSR 97-18-053
EMERGENCY RULES
DEPARTMENT OF
FISH AND WILDLIFE
(Fisheries)**

[Order 97-180—Filed August 28, 1997, 4:38 p.m., effective August 29, 1997, 8:00 a.m.]

Date of Adoption: August 28, 1997.

Purpose: Commercial fishing regulations.

Citation of Existing Rules Affected by this Order: Repealing WAC 220-88A-08000P; and amending WAC 220-88A-080.

Statutory Authority for Adoption: RCW 75.08.080.

Under RCW 34.05.350 the agency for good cause finds that immediate adoption, amendment, or repeal of a rule is necessary for the preservation of the public health, safety, or general welfare, and that observing the time requirements of notice and opportunity to comment upon adoption of a permanent rule would be contrary to the public interest.

Reasons for this Finding: These rules are necessary to comply with a recently negotiated state/tribal Puget Sound shrimp harvest management plan and meet treaty sharing requirements. There is insufficient time to promulgate permanent rules.

Number of Sections Adopted in Order to Comply with Federal Statute: New 0, amended 0, repealed 0; Federal

Rules or Standards: New 0, amended 0, repealed 0; or Recently Enacted State Statutes: New 0, amended 0, repealed 0.

Number of Sections Adopted at Request of a Nongovernmental Entity: New 0, amended 0, repealed 0.

Number of Sections Adopted on the Agency's own Initiative: New 1, amended 0, repealed 1.

Number of Sections Adopted in Order to Clarify, Streamline, or Reform Agency Procedures: New 0, amended 0, repealed 0.

Number of Sections Adopted using Negotiated Rule Making: New 0, amended 0, repealed 0; Pilot Rule Making: New 0, amended 0, repealed 0; or Other Alternative Rule Making: New 0, amended 0, repealed 0.

Effective Date of Rule: August 29, 1997, 8:00 a.m.

August 28, 1997

Larry Peck
for Bern Shanks
Director

NEW SECTION

WAC 220-88A-08000Q Emerging commercial fishery—Puget Sound shrimp trawl experimental fishery—Seasons and gear. Notwithstanding the provisions of WAC 220-88A-080, effective 8:00 a.m. August 29, 1997, until further notice, it is unlawful to fish for or possess shrimp taken for commercial purposes in Puget Sound using shellfish beam trawl gear except as provided for in this section:

(1) **Open** - in Marine Fish Shellfish Management and Catch Reporting Areas 20A, 22A, 23C, and 29, except as provided for in this section.

(2) The following areas are closed to beam trawl gear:

(a) Marine Fish Shellfish Management and Catch Reporting Area 20A in waters less than 20 fathoms deep.

(b) Marine Fish Shellfish Management and Catch Reporting Area 22A in waters east of a line projected true south from Deer Point on Orcas Island to Blakely Island, and east of a line projected true south from the southern most point of Blakely Island to Decatur Island, and east of a line projected true south from the southernmost point of Decatur Island to Lopey Island.

(3) It is unlawful to harvest and retain spot shrimp, or any other species other than Pandalid shrimp.

REPEALER

The following section of the Washington Administrative Code is repealed effective 8:00 a.m. August 29, 1997:

WAC 220-88A-08000P Emerging commercial fishery—Puget Sound shrimp trawl experimental fishery—Seasons and gear. (97-148)

**WSR 97-18-054
EMERGENCY RULES
DEPARTMENT OF
FISH AND WILDLIFE
(Wildlife)**

[Order 97-176—Filed August 28, 1997, 4:41 p.m., effective August 30, 1997, 12:01 a.m.]

Date of Adoption: August 27, 1997.

Purpose: Personal use rules.

Citation of Existing Rules Affected by this Order: Amending WAC 232-28-619.

Statutory Authority for Adoption: RCW 77.12.040.

Under RCW 34.05.350 the agency for good cause finds that immediate adoption, amendment, or repeal of a rule is necessary for the preservation of the public health, safety, or general welfare, and that observing the time requirements of notice and opportunity to comment upon adoption of a permanent rule would be contrary to the public interest.

Reasons for this Finding: This rule is needed for protection of a small return of Wind River steelhead. There is insufficient time to promulgate permanent rules.

Number of Sections Adopted in Order to Comply with Federal Statute: New 0, amended 0, repealed 0; Federal Rules or Standards: New 0, amended 0, repealed 0; or Recently Enacted State Statutes: New 0, amended 0, repealed 0.

Number of Sections Adopted at Request of a Nongovernmental Entity: New 0, amended 0, repealed 0.

Number of Sections Adopted on the Agency's own Initiative: New 1, amended 0, repealed 0.

Number of Sections Adopted in Order to Clarify, Streamline, or Reform Agency Procedures: New 0, amended 0, repealed 0.

Number of Sections Adopted using Negotiated Rule Making: New 0, amended 0, repealed 0; Pilot Rule Making: New 0, amended 0, repealed 0; or Other Alternative Rule Making: New 0, amended 0, repealed 0.

Effective Date of Rule: August 30, 1997, 12:01 a.m.

August 27, 1997

Larry Peck
for Bern Shanks
Director

NEW SECTION

WAC 232-28-61900Q Regional exceptions to permanent game fish rules. Notwithstanding the provisions of WAC 232-28-619, effective 12:01 a.m. August 30, 1997 until further notice it is unlawful to fish for or possess gamefish in the waters of the Wind River and its tributaries from 100 feet above Shipherd Falls fish ladder upstream.

**WSR 97-18-055
EMERGENCY RULES
DEPARTMENT OF
FISH AND WILDLIFE
(Fisheries)**

[Order 97-177—Filed August 28, 1997, 4:50 p.m.]

Date of Adoption: August 28, 1997.

Purpose: Personal use rules.

EMERGENCY

Citation of Existing Rules Affected by this Order: Repealing WAC 220-56-19000N and 220-56-24000A; and amending WAC 220-56-190 and 220-56-240.

Statutory Authority for Adoption: RCW 75.08.080.

Under RCW 34.05.350 the agency for good cause finds that immediate adoption, amendment, or repeal of a rule is necessary for the preservation of the public health, safety, or general welfare, and that observing the time requirements of notice and opportunity to comment upon adoption of a permanent rule would be contrary to the public interest.

Reasons for this Finding: The harvestable quota of salmon for Areas 1 and 3 have already been attained. It is expected that the quota for Area 2 will have been taken at the end of September 4, 1997. Area 4 has previously taken its chinook quota, and only the two day coho season (scheduled for August 30 and August 31) for waters east of the Bonilla-Tatoosh Line remains available. Regulations for other coastal areas are consistent with pre-season fishing quotas and plans as derived in the PFMC/NOF annual management meetings, including the catch and release fishery in the eastern part of Area 4 during the period September 1 through September 14.

Atlantic salmon which escaped from aquaculture net pen operations during July 1997 are now being encountered in open trout fishing areas. Present regulations prohibit fishing for and retaining Atlantics unless areas are open for salmon fishing. Since the intent is to remove as many Atlantics as possible, the regulation is being amended to open all anadromous waters where there are salmon or trout fishing openings.

Expectation is that wild chinook salmon in the Green River will be below the desired spawning level, and actions have been taken to protect chinook returning to this river system. As a consequence, there will be a surplus of hatchery fish returning to the state hatchery facility on Big Soos Creek. Opening Big Soos Creek will make harvestable fish available to recreational anglers and will reduce the need to discard or dispose of excess surplus salmon carcasses.

There is insufficient time to promulgate permanent rules for the situations being addressed here.

Number of Sections Adopted in Order to Comply with Federal Statute: New 0, amended 0, repealed 0; Federal Rules or Standards: New 0, amended 0, repealed 0; or Recently Enacted State Statutes: New 0, amended 0, repealed 0.

Number of Sections Adopted at Request of a Nongovernmental Entity: New 0, amended 0, repealed 0.

Number of Sections Adopted on the Agency's own Initiative: New 3, amended 0, repealed 2.

Number of Sections Adopted in Order to Clarify, Streamline, or Reform Agency Procedures: New 0, amended 0, repealed 0.

Number of Sections Adopted using Negotiated Rule Making: New 0, amended 0, repealed 0; Pilot Rule Making: New 0, amended 0, repealed 0; or Other Alternative Rule Making: New 0, amended 0, repealed 0.

Effective Date of Rule: Immediately.

August 28, 1997
Larry Peck
for Bern Shanks
Director

NEW SECTION

WAC 220-56-19000P Coastal salmon — Seasons and limits. Notwithstanding the provisions of WAC 220-56-190, effective immediately until further notice it is unlawful to fish for or possess salmon taken for personal use from Catch Record Card Areas 1 through 4 except as provided for in this section:

(1) Area 1 - Closed.

(2) Area 2 - Special daily limit of 2 salmon. Special cumulative limit of 4 salmon in any seven consecutive days - open only August 28, 1997, August 31, 1997, and September 1, 1997 through September 4, 1997.

(3) Area 2.1 - Special daily limit of 6 salmon, not more than 3 of which may be adult salmon as defined in WAC 220-56-190 - open until further notice.

(4) Area 2.2 - The Westport Boat Basin fishery open as provided in WAC 220-56-190, except all species night closure and non-buoyant lure restriction (as defined in WAC 220-56-126) in effect September 1 until further notice. Waters east of the Channel Marker 13 Line - Daily limit A except release coho salmon - open September 1, 1997 through September 30, 1997 - single-point barbless hooks required.

(5) Area 3 - Closed.

(6) Area 4 west of the Bonilla-Tatoosh Line - Closed.

(7) Area 4 east of the Bonilla-Tatoosh Line (a) Special daily limit of 2 salmon, except chinook salmon and coho salmon must be released immediately - open through 11:59 p.m. August 29, 1997. (b) Special daily limit 2 salmon, except chinook salmon must be released immediately - open 12:01 a.m. August 30, 1997 through 11:59 p.m. August 31, 1997. (c) Open to fishing for salmon September 1, 1997 through September 14, 1997 for catch and release only; all salmon must be released immediately. Gear limited to unweighted surface flies only.

(8) Size limits for Area 2.1 and Area 2.2 as defined in WAC 220-56-190(3) and WAC 220-56-190(2), respectively. Size limits for other areas listed in this section are as follows: Chinook salmon minimum size 24 inches in length. Coho salmon minimum size 16 inches in length.

Reviser's note: The spelling error in the above section occurred in the copy filed by the agency and appears in the Register pursuant to the requirements of RCW 34.08.040.

Reviser's note: The typographical errors in the above section occurred in the copy filed by the agency and appear in the Register pursuant to the requirements of RCW 34.08.040.

NEW SECTION

WAC 220-56-24000B Daily limits — Other food fish — Atlantic salmon. Notwithstanding the provisions of WAC 220-56-180 and WAC 220-56-240, effective immediately until further notice:

(1) There is no minimum size limit for anadromous Atlantic salmon and no daily or possession limits.

(2) Atlantic salmon may be fished for and retained in all anadromous waters open to trout fishing or open to salmon fishing for salmon other than Atlantic salmon.

(3) Once the daily limit of salmon other than Atlantic salmon is taken, it is unlawful to continue to fish for Atlantic salmon or salmon other than Atlantic salmon.

NEW SECTION

WAC 220-57-12700A Big Soos Creek (King County)
Effective 12:01 a.m. September 3, 1997 until further notice, it is lawful to fish for and possess salmon in those waters from the mouth of Big Soos Creek approximately one half mile upstream to the concrete bridge near the Washington State Department of Fish and Wildlife hatchery residence. Fishing is allowed only on Wednesdays within the hours 7:00 a.m. to 7:00 p.m. Special daily limit of two salmon. No more than one single-pointed hook allowed.

REPEALER

The following sections of the Washington Administrative Code are repealed:

- WAC 220-56-24000A Daily limits — Other food fish — Atlantic salmon. (97-127)
WAC 220-56-19000N Coastal salmon — Seasons and limits. (97-151)

WSR 97-18-057
EMERGENCY RULES
DEPARTMENT OF
SOCIAL AND HEALTH SERVICES
(Economic Services Administration)
(Public Assistance)

[Filed August 29, 1997, 4:35 p.m., effective September 1, 1997]

Purpose: Allows Amerasians and Cuban-Haitian entrants to be eligible for the food stamp program:

- a. Until five years from the date of the granting of their status; or
- b. If the individual is a veteran or on active duty in the United States military; or
- c. If the individual is a spouse or dependent child of the veteran or active military person.

Citation of Existing Rules Affected by this Order: Amending WAC 388-49-310.

Statutory Authority for Adoption: RCW 74.04.510 and 74.04.050.

Other Authority: Public Law 104-193 (Personal Responsibility and Work Opportunity Reconciliation Act of 1996) as amended by Sections 5302 and 5306 of the Balanced Budget Act of 1997.

Under RCW 34.05.350 the agency for good cause finds that state or federal law or federal rule or a federal deadline for state receipt of federal funds requires immediate adoption of a rule.

Reasons for this Finding: The Balanced Budget Act of 1997 requires the state to implement this rule change immediately.

Number of Sections Adopted in Order to Comply with Federal Statute: New 0, amended 1, repealed 0; Federal Rules or Standards: New 0, amended 0, repealed 0; or Recently Enacted State Statutes: New 0, amended 0, repealed 0.

Number of Sections Adopted at Request of a Nongovernmental Entity: New 0, amended 0, repealed 0.

Number of Sections Adopted on the Agency's own Initiative: New 0, amended 0, repealed 0.

Number of Sections Adopted in Order to Clarify, Streamline, or Reform Agency Procedures: New 0, amended 1, repealed 0.

Number of Sections Adopted using Negotiated Rule Making: New 0, amended 0, repealed 0; Pilot Rule Making: New 0, amended 0, repealed 0; or Other Alternative Rule Making: New 0, amended 0, repealed 0.

Effective Date of Rule: September 1, 1997.

August 28, 1997

Merry A. Kogut, Manager
Rules and Policies Assistance Unit

AMENDATORY SECTION (Amending WSR 97-12-025, filed 5/29/97, effective 6/29/97)

WAC 388-49-310 Citizenship and alien status. (1) ~~((The department shall require))~~ Applicants ~~((to))~~ must sign ~~((the))~~ an application attesting to their citizenship or alien status as described under WAC 388-49-030(6).

(2) ~~((The department shall consider))~~ Applicants and current recipients as of ~~((January 1, 1997 and current recipients after April 1, 1997, but no later than))~~ August 22, 1997, who fail to meet the requirements of subsections (1) and (3) of this section ~~((as))~~ shall be considered ineligible household members under WAC 388-49-190(4), 388-49-420(5), and 388-49-480(2).

(3) ~~((The department shall consider the following persons residing in the United States eligible for participation))~~ Household members in the food stamp program must be one of the following:

(a) A United States citizen or United States national;

(b) An alien lawfully admitted for permanent residence under the Immigration and Nationality Act who has worked or can be credited with forty qualifying quarters of coverage as defined under Title II of the Social Security Act ~~((or can be credited with such qualifying quarters))~~.

(i) An alien can be credited for each qualifying quarter worked by a:

(A) Parent while the alien was under age eighteen, or

(B) Spouse during their marriage if the alien remains married to the spouse or the spouse is deceased.

(ii) Beginning January 1, 1997, any quarter in which the alien received any federal means-tested public benefit is not counted as a qualifying quarter.

(iii) The department ~~((shall accept a statement under penalty of perjury signed by the applicant or recipient that he or she has earned or can be credited with forty))~~ will confirm qualifying quarters ~~((of coverage, until))~~ with the Social Security Administration (SSA) ~~((either confirms or denies the existence of such forty qualifying quarters of coverage,))~~ when:

(A) The applicant or recipient cannot provide SSA documents verifying forty qualifying quarters of coverage; and

(B) The applicant or recipient, alone or in combination with the person's spouse, or the person's parent have lived in the United States ten years or a ~~((sufficient))~~ number of years consistent with the applicant or recipient having earned or being credited with forty qualifying quarters; and

(C) The applicant or recipient provides the full name, date of birth, social security number, and sex of each person whose work history is relevant to the determination of eligibility. The applicant or recipient must sign or have each individual sign a consent form to give permission to SSA to release qualifying quarters information to the department.

(iv) If SSA cannot ~~((initially))~~ confirm forty qualifying quarters of coverage, the client will be considered ineligible unless the applicant or recipient~~((:~~

~~((A))~~ Presents to the department a SSA document indicating a SSA review is in process; or

~~((B))~~ presents evidence or statements satisfactory to the department of qualifying quarters ~~((for the calendar years 1996 and 1997))~~ such that the individual will establish, in addition to SSA information, a total of forty qualifying quarters.

~~((iv))~~ The individual, who provides the department with a SSA document indicating a review of the individual's records is in process, can continue, if otherwise eligible, to receive benefits for six months from the date of SSA's initial response or until SSA has completed its review, whichever is earlier.

~~((vi))~~ If, after recipient completes the SSA verification and review process, forty qualifying quarters of coverage have not been established, the recipient may present evidence to the department to establish forty qualifying quarters. Evidence may include a credible statement from the individual in addition to corroborating evidence, if available, to assist the department in making an independent assessment of the forty qualifying quarters requirement.

~~((vii))~~ If forty qualifying quarters of coverage cannot be established, the department shall establish a claim for the overissuance~~((:))~~

(c) A qualified alien, as defined under section 431 of the Personal Responsibility and Work Opportunity Reconciliation Act of 1996, and the qualified alien spouse or unmarried dependent qualified alien child of the alien, lawfully residing in the United States, who is:

(i) A veteran, as defined in section 101, 1101 or 1301, or as described in section 107 of Title 38, United States Code, with a discharge characterized as an honorable discharge and not on account of alienage; or

(ii) On active duty, other than active duty for training, in the Armed Forces of the United States.

(d) An alien admitted to the United States as a refugee under section 207 of the Immigration and Nationality Act until five years after the date of such admission as a refugee;

(e) An alien granted asylum under section 208 of the Immigration and Nationality Act until five years after the date of granting such status; ~~((or))~~

(f) An alien living in the United States whose deportation is withheld under section 243(h) of the Immigration and Nationality Act until five years after the date such deportation is withheld;

(g) An alien granted status as a Cuban and Haitian entrant, as defined in section 501(e) of the Refugee Education Act of 1980, until five years after the date of granting such status; or

(h) An alien admitted to the United States as an Amerasian immigrant, as described in section 402(a)(2)(A) of the Personal Responsibility and Work Opportunity Reconciliation

Act of 1996, until five years after the date of granting such status.

(4) The household shall provide verification when:

(a) Citizenship is questionable; or

(b) One or more of its members are aliens.

~~((i))~~ The department shall not contact the immigration and naturalization service to obtain information without the alien's written consent.

~~((ii))~~ The department shall give the household failing to provide verification the option of:

~~((A))~~ Withdrawing the application; or

~~((B))~~ Participating without the alien member~~((:))~~

(5) The department shall accept a statement under a penalty of perjury signed by a United States citizen that the applicant is a United States citizen when:

(a) The applicant cannot produce acceptable citizenship verification; and

(b) The household can reasonably explain why the verification is not available.

(6) An applicant shall be ineligible until:

(a) Questionable citizenship is verified; or

(b) Lawful alien status is verified.

~~((6))~~ The department shall accept a statement under a penalty of perjury signed by a United States citizen that the applicant is a United States citizen when:

~~((a))~~ The applicant cannot produce acceptable citizenship verification; and

~~((b))~~ The household can reasonably explain why the verification is not available~~((:))~~

(7) A household failing to provide verification shall have the option of:

(a) Withdrawing the application; or

(b) Participating without the alien member.

(8) The department shall notify immigration and naturalization services when any household member is ineligible because that person is present in the United States in violation of a known deportation order of the Immigration and Nationality Act.

~~((8))~~ (9) Lawfully admitted aliens who are ineligible include:

(a) Alien visitors;

(b) Tourists;

(c) Diplomats;

(d) Students with temporary status; and

(e) Aliens not identified in subsection (3) of this section as eligible for participation in the food stamp program.

WSR 97-18-059
EMERGENCY RULES
DEPARTMENT OF
FISH AND WILDLIFE
(Fisheries)

[Order 97-178—Filed August 29, 1997, 4:45 p.m., effective August 30, 1997, 12:01 a.m.]

Date of Adoption: August 29, 1997.

Purpose: Commercial fishing regulations.

Citation of Existing Rules Affected by this Order:
Repealing WAC 220-47-811.

Statutory Authority for Adoption: RCW 75.08.080.

Under RCW 34.05.350 the agency for good cause finds that immediate adoption, amendment, or repeal of a rule is necessary for the preservation of the public health, safety, or general welfare, and that observing the time requirements of notice and opportunity to comment upon adoption of a permanent rule would be contrary to the public interest.

Reasons for this Finding: A harvestable surplus of sockeye and pink salmon is available, as determined by the Fraser River Salmon Management Forum. Openings in Areas 7 and 7A are consistent with management agreements among parties within this forum, and provide opportunity to harvest the nontreaty allocation of Fraser River-origin sockeye and pink salmon relative to preseason run size forecasts and in-season run size updates, relative to a target of over 900,000 sockeye remaining in the nontreaty allocation. Requirement for reef net release of chinook salmon necessary due to higher than anticipated chinook incidental harvests and to protect weak chinook stocks.

Opening in Areas 7B and 7C provides opportunity to harvest the nontreaty allocation of chinook salmon destined for the Nooksack-Samish region, per preseason schedule. Openings in Area 8 provide opportunity to harvest the nontreaty allocation of pink salmon destined for the Skagit region of origin, per preseason schedule. Purse seine release of chinook in Area 8 is necessary to protect weak stocks. The area restriction in southern Area 8 is consistent with RCW 75.12.010(4). The opening in Area 12A provides opportunity to selectively harvest the nontreaty allocation of coho salmon destined for the Quilcene National Fish Hatchery while reducing impacts to summer chum. Beach seine gear specifications are defined in WAC 220-47-427(6). These openings and restrictions are consistent with agreements reached during the Pacific Fisheries Management Council - North of Falcon preseason process, and reflect the schedule adopted by the Washington Fish and Wildlife Commission.

All other Puget Sound areas are closed to prevent overharvest of local salmon stocks.

Atlantic salmon have recently escaped from commercial net pen operations in the Puget Sound region, and removal of this nonnative species is required to reduce any possibility of adverse impacts on indigenous fishes.

An emergency exists in that there is insufficient time to promulgate permanent rules before the fish have moved from the fishing grounds.

Number of Sections Adopted in Order to Comply with Federal Statute: New 0, amended 0, repealed 0; Federal Rules or Standards: New 0, amended 0, repealed 0; or Recently Enacted State Statutes: New 0, amended 0, repealed 0.

Number of Sections Adopted at Request of a Nongovernmental Entity: New 0, amended 0, repealed 0.

Number of Sections Adopted on the Agency's own Initiative: New 1, amended 0, repealed 1.

Number of Sections Adopted in Order to Clarify, Streamline, or Reform Agency Procedures: New 0, amended 0, repealed 0.

Number of Sections Adopted using Negotiated Rule Making: New 0, amended 0, repealed 0; Pilot Rule Making: New 0, amended 0, repealed 0; or Other Alternative Rule Making: New 0, amended 0, repealed 0.

Effective Date of Rule: August 30, 1997, 12:01 a.m.

August 29, 1997

Larry W. Peck
for Bern Shanks
Director

NEW SECTION

WAC 220-47-812 Puget Sound all-citizen commercial salmon fishery. Notwithstanding the provisions of Chapter 220-47 WAC, effective 12:01 a.m. Saturday August 30, 1997 until further notice, it is unlawful to take, fish for, or possess salmon for commercial purposes taken from the following Puget Sound Salmon Management and Catch Reporting Areas except in accordance with the following open periods and mesh and area restrictions:

- * **AREA 7** - Reef nets may fish from 5:00 a.m. to 9:00 p.m. daily Saturday August 30, 1997, Sunday August 31, 1997 and Monday September 1, 1997.
- * **AREA 7A** - Reef nets may fish from 5:00 a.m. to 9:00 p.m. daily Saturday August 30, 1997, Sunday August 31, 1997 and Monday September 1, 1997. Purse seines may fish from 7:00 a.m. to 9:00 p.m. Saturday August 30, 1997 and from 5:00 a.m. to 9:00 p.m. Sunday August 31, 1997. Gillnets using 5-inch minimum, 6-inch maximum mesh may fish from 8:00 a.m. to 11:59 p.m. Monday September 1, 1997.
- * **AREAS 7B and 7C** - Gillnets using 7-inch minimum mesh may fish from 7:00 p.m. Tuesday September 2, 1997 to 9:00 a.m. Wednesday September 3, 1997.
- * **AREA 8** - Purse seines may fish from 6:00 a.m. to 8:00 p.m. daily, Tuesday September 2, 1997 and Wednesday September 3, 1997. Gillnets using 5-inch minimum, 5 1/2-inch maximum mesh may fish from 6:00 a.m. to 9:00 p.m. daily, Thursday September 4, 1997 and Friday September 5, 1997. In addition to the exclusion zones listed in Section 220-47-307 WAC, Area 8 is closed south and west of a line projected from Rocky Point on Camano Island to Polnell Point on Whidbey Island.
- * **AREA 12A** - Holders of Quilcene Bay salmon beach seine Experimental Fishery Permits may fish 7:00 a.m. to 7:00 p.m. daily:
 Tuesday September 2, 1997 through Friday September 5, 1997
 Monday September 8, 1997 through Friday September 12, 1997
 Monday September 15, 1997 through Friday September 19, 1997
 Monday September 22, 1997 through Friday September 26, 1997
 Monday September 29, 1997 through Friday October 3, 1997
 Monday October 6, 1997 through Friday October 10, 1997
 Monday October 13, 1997 through Friday October 17, 1997
- * Areas 4B, 5, 6, 6A, 6B, 6C, 6D, 7D, 7E, 8A, 8D, 9, 9A, 10, 10A, 10C, 10D, 10E, 10F, 10G, 11, 11A, 12, 12B, 12C, 12D, 13, 13A, 13C, 13D, 13E, 13F, 13G, 13H, 13I, 13J, and 13K, all freshwater areas, and exclusion zones provided for in WAC 220-47-307 - Closed.

- * Purse seines and reef nets may not retain chinook salmon in Areas 7, 7A or 8.
- * Atlantic salmon may be retained during openings listed in this section.

August 29, 1997
Larry Peck
for Bern Shanks
Director

REPEALER

The following section of the Washington Administrative Code is repealed effective 12:01 a.m. Saturday August 30, 1997:

WAC 220-47-811 Puget Sound all-citizen commercial salmon fishery. (97-174)

**WSR 97-18-060
EMERGENCY RULES
DEPARTMENT OF
FISH AND WILDLIFE**

(Fisheries)

[Order 97-179—Filed August 29, 1997, 4:46 p.m., effective September 2, 1997, 6:00 a.m.]

Date of Adoption: August 29, 1997.

Purpose: Commercial/subsistence.

Citation of Existing Rules Affected by this Order:
Repealing WAC 220-32-05100A; and amending WAC 220-32-051.

Statutory Authority for Adoption: RCW 75.08.080.

Under RCW 34.05.350 the agency for good cause finds that immediate adoption, amendment, or repeal of a rule is necessary for the preservation of the public health, safety, or general welfare, and that observing the time requirements of notice and opportunity to comment upon adoption of a permanent rule would be contrary to the public interest.

Reasons for this Finding: Harvestable numbers of salmon are available. Provides treaty Indians access to their share of fall chinook. This rule is consistent with actions of the Columbia River Compact on August 28, 1997, and the 1996-98 Management Agreement and the Endangered Species Act. Conforms state rules with tribal rules. There is insufficient time to promulgate permanent rules.

Number of Sections Adopted in Order to Comply with Federal Statute: New 0, amended 0, repealed 0; Federal Rules or Standards: New 0, amended 0, repealed 0; or Recently Enacted State Statutes: New 0, amended 0, repealed 0.

Number of Sections Adopted at Request of a Nongovernmental Entity: New 0, amended 0, repealed 0.

Number of Sections Adopted on the Agency's own Initiative: New 1, amended 0, repealed 1.

Number of Sections Adopted in Order to Clarify, Streamline, or Reform Agency Procedures: New 0, amended 0, repealed 0.

Number of Sections Adopted using Negotiated Rule Making: New 0, amended 0, repealed 0; Pilot Rule Making: New 0, amended 0, repealed 0; or Other Alternative Rule Making: New 0, amended 0, repealed 0.

Effective Date of Rule: September 2, 1997, 6:00 a.m.

NEW SECTION

WAC 220-32-05100A Columbia River salmon seasons above Bonneville. (1) Notwithstanding the provisions of WAC 220-32-051, and 220-32-052, 220-32-053, 220-32-056, 220-32-057, and 220-32-058, effective immediately it is unlawful for a person to take or possess salmon, shad or sturgeon taken for commercial purposes from Columbia River Salmon Management and Catch Reporting Areas (SMCRA) 1F, 1G or 1H, except those individuals possessing treaty fishing rights under the Yakama, Warm Springs, Umatilla or Nez Perce treaties may fish or possess salmon, sturgeon and shad under the following provisions:

(a) Open Periods:

6:00 a.m. Tuesday, September 2, 1997 to 6:00 p.m. Saturday, September 6, 1997.

(b) Open Area: SMCRA 1F, 1G, and 1H

(c) Mesh: No mesh restriction

(d) It is unlawful to retain sturgeon less than 48 inches or greater than 60 inches in length. Sturgeon may be retained for subsistence purposes only.

All sale of sturgeon is prohibited.

(2) Notwithstanding the provisions of WAC 220-32-058, the closed area at the mouth of:

(a) Hood River are those waters along the Oregon side of the Columbia River and extends to mid-stream at right angles to the thread of the Columbia River between markers located approximately 0.85 miles downriver from the west bank at the end of the break wall at the west end of the port of Hood River and 1/2 mile upriver from the east bank.

(b) Herman Creek are those waters upstream from a line between deadline markers near the mouth. One marker is located on the east bank piling and the other is located on the west bank to the north of the boat ramp.

(c) Deschutes River are those waters of the Columbia River extending to midstream at right angles to the thread of the Columbia River between point one-half mile upstream from the eastern shoreline to one mile downstream from the western shoreline.

(d) Umatilla River are those waters of the Columbia River extending to midstream at right angles to the thread of the Columbia River between points one-half mile upstream from the eastern shoreline to one mile downstream from the western shoreline.

(e) Big White Salmon River are those waters of the Columbia River extending to midstream at right angles to the thread of the Columbia River between a marker located one-half mile downstream from the west bank upstream to light "35".

(f) Wind River are those waters of the Columbia River extending to midstream at right angles to the thread of the Columbia River between markers located 1 1/4 miles downstream from the west bank and 1/2 mile upstream from the east bank.

(g) Klickitat River are those waters of the Columbia River extending to midstream at right angles to the thread of the Columbia River between the downstream margin of Lyle

Landing downstream to a marker located near the railroad tunnel approximately 1/8 miles downstream from the west bank.

(h) Little White Salmon River are those waters of the Columbia River extending to midstream at right angles to the thread of the Columbia river between Light "27" upstream to a marker located approximately one-half mile upstream from the eastern shoreline.

(i) Spring Creek are those waters of the Columbia River extending to midstream at right angles to the thread of the Columbia River between points one-half mile upstream from the eastern shoreline to one and one-half miles downstream from the western shoreline of the mouth of Spring Creek.

(3) Notwithstanding the provisions of WAC 220-22-010, during the open periods in subsection (1):

(a) Area 1F (Bonneville Pool) includes those waters of the Columbia River upstream from the Bridge of Gods, and downstream from the west end of the 3 mile rapids located approximately 1.8 miles below the Dalles Dam.

(b) Area 1G includes those waters of the Columbia River upstream from a line drawn between deadline marker on the Oregon shore located approximately 3/4 mile above the Dalles Dam fishway exit, thence at a right angle to the thread of the river to a point in midriver, then downstream to Light "1" on the Washington shore, and downstream from Preacher's Eddy light below John Day Dam.

(c) Area 1H includes those waters of the Columbia River upstream from a fishing boundary marker approximately one-half mile above the John Day River, Oregon, extending at a right angle across the thread of the river to a point in midriver, then downstream to a fishing boundary marker on the Washington shore approximately opposite the mouth of the John Day River, and downstream from a line at a right angle across the thread of the river one mile downstream from McNary Dam.

REPEALER

The following section of the Washington Administrative Code is repealed effective 6:01 p.m. September 6, 1997:

WAC 220-32-05100A Columbia River salmon seasons above Bonneville.

WSR 97-18-061
EMERGENCY RULES
DEPARTMENT OF
FISH AND WILDLIFE
(Fisheries)

[Order 97-181—Filed August 29, 1997, 4:47 p.m.]

Date of Adoption: August 29, 1997.

Purpose: Personal use rules.

Citation of Existing Rules Affected by this Order:
Repealing WAC 220-56-38000K; and amending WAC 220-56-380.

Statutory Authority for Adoption: RCW 75.08.080.

Under RCW 34.05.350 the agency for good cause finds that immediate adoption, amendment, or repeal of a rule is necessary for the preservation of the public health, safety, or general welfare, and that observing the time requirements of

notice and opportunity to comment upon adoption of a permanent rule would be contrary to the public interest.

Reasons for this Finding: RCW 34.05.479(3) provides the Department of Health the authority to issue health closure orders that require companion compliance for other pertinent regulating agencies. This action by Washington Department of Fish and Wildlife complies with the intent of the order from Department of Health shown below. There is insufficient time to promulgate permanent rules.

August 29, 1997

DEPARTMENTAL ORDER PROHIBITING COMMERCIAL
HARVEST OF OYSTERS FOR SALE TO THE RETAIL
MARKET AS SHELLSTOCK AND ALL RECREATIONAL
HARVEST OF OYSTERS

Dear [Grower],

The Department has determined that human consumption of raw oysters harvested from the Samish Bay, Totten Inlet, and all Hood Canal shellfish growing areas is likely to cause actual harm or presents a potential risk of substantial harm to the consumer. Therefore, it is hereby ORDERED that the commercial harvest of oysters for sale to the retail market as shellstock and all recreational harvest of oysters is PROHIBITED from the date of this Order through September 15, 1997 in the Samish Bay shellfish growing area, the Totten Inlet shellfish growing area, and all Hood Canal shellfish growing areas. This order does not apply to recreational harvest of oysters taken from privately owned tidelands.

This Order has been executed under authority of RCW 43.70.185 and chapter 34.05 RCW and is based upon the following:

1. The bacteria *Vibrio Parahaemolyticus* (Vibrio) is or may be present in oysters grown in the following shellfish growing areas: Samish Bay, Totten Inlet, and all of Hood Canal.

2. Vibrio is a naturally-occurring bacteria found in shellfish. Humans who consume shellfish containing Vibrio are at risk of developing vibriosis, an intestinal disease. Vibriosis causes nausea, diarrhea, vomiting, abdominal cramps, headache, fever, and chills. In severe cases, hospitalization may be required.

3. As of August 28, 1997, over 40 illnesses associated with the consumption of raw oysters from Washington shellfish growing areas have been reported. Determination of cases of vibriosis was made through epidemiological procedures used by the Washington State Office of Epidemiology, the Department's Shellfish Program, and affected counties.

4. Two or more of the laboratory confirmed cases occurred at approximately the same time and are linked directly to the Samish Bay shellfish growing area. Under the National Shellfish Sanitation Program Manual of Operations, Part I, Section A, General Administrative Procedures to be Used by the States, two or more cases occurring at approximately the same time with a common source constitute a foodborne disease outbreak. Multiple cases, although not occurring at the same time, are directly linked to the Samish Bay growing area, Totten Inlet growing area and the Hood Canal growing areas.

5. Data concerning the Vibrio bacteria have been maintained by the Department since at least 1990. The data indicates that vibriosis tends to occur during the warmer months of July, August, and early September, indicating that Vibrio is present in shellfish growing areas during those months.

6. Based on the foregoing, the Department has determined that, through September 15, 1997, human consumption of raw oysters grown in the Samish Bay, Totten Inlet, and all Hood Canal shellfish growing areas is likely to cause actual harm or presents a potential risk of substantial harm to the consumer.

ORDER

BECAUSE THE DEPARTMENT HAS DETERMINED THAT HUMAN CONSUMPTION OF RAW OYSTERS GROWN IN THE SAMISH BAY, TOTTEN INLET, AND ALL HOOD CANAL SHELLFISH GROWING AREAS IS LIKELY TO CAUSE ACTUAL HARM OR PRESENTS A POTENTIAL RISK OF SUBSTANTIAL HARM TO THE CONSUMER, AND THAT THIS THREAT TO THE PUBLIC HEALTH, SAFETY AND WELFARE IMPERATIVELY REQUIRES EMERGENCY ACTION, THE COMMERCIAL HARVEST OF OYSTERS FOR SALE TO THE RETAIL MARKET AS SHELLSTOCK AND ALL RECREATIONAL HARVEST OF OYSTERS (EXCEPT RECREATIONAL HARVEST OF OYSTERS TAKEN FROM PRIVATELY OWNED TIDELANDS) FROM THE SAMISH BAY, TOTTEN INLET, AND ALL OF HOOD CANAL GROWING AREAS IS HEREBY PROHIBITED THROUGH SEPTEMBER 15, 1997.

Accordingly, as authorized by 34.05.479(3), and consistent with the Department's policy to protect the public from disease before the fact, the Department's action is effective immediately.

The areas from which harvest of oysters intended is prohibited are as follows:

Samish Bay: all marine waters east of a line extending from William Point north to Governors Point.

Totten Inlet: all marine waters south and west of a line extending from the northern end of Steamboat Island to the Arcadia boat launch.

Hood Canal: all marine waters south of a line extending from the northern tip of Tala Point to the northern tip of Foulweather Bluff.

Under RCW 43.70.185(3), it is unlawful to harvest any marine species in violation of a departmental order prohibiting such harvest or to possess or sell any marine species so harvested.

Furthermore, pursuant to RCW 43.70.185(4), any person who sells any marine species taken in violation of this section is subject to the penalties provided in RCW 69.30.140 and 69.30.150. Any person who harvests or possesses marine species taken in violation of this section is guilty of a civil infraction and is subject to the penalties provided in RCW 69.30.150.

If you wish to contest the Department's decision in this matter, you or your representative must, within twenty-eight days of your receipt of this decision, complete and file the enclosed Application for Adjudicative Proceeding or a document providing substantially the same information with the Department's Adjudicative Clerk Office in a manner that shows proof of service on the Adjudicative Clerk Office.

The address of the Adjudicative Clerk Office is:

Department of Health
Adjudicative Clerk Office
2413 Pacific Avenue
P.O. Box 47879
Olympia, Washington 98504-7879

You must attach a copy of the Department's decision document to your Application. FILING SHALL NOT BE DEEMED COMPLETE UNTIL THE ADJUDICATIVE CLERK OFFICE ACTUALLY RECEIVES YOUR APPLICATION. If you fail to timely file an Application, the Department may decide this matter without your participation and without further notice to you.

Because the Department's decision in the above-referenced matter is effective immediately, you are entitled to a prompt hearing in this matter if you so desire. RCW 34.05.479.

DATED this 29 day of August, 1997.

WASHINGTON STATE
DEPARTMENT OF HEALTH

Kris Van Gorkum,
Acting Deputy Secretary
Washington State Department of Health

Number of Sections Adopted in Order to Comply with Federal Statute: New 0, amended 0, repealed 0; Federal Rules or Standards: New 0, amended 0, repealed 0; or Recently Enacted State Statutes: New 0, amended 0, repealed 0.

Number of Sections Adopted at Request of a Nongovernmental Entity: New 0, amended 0, repealed 0.

Number of Sections Adopted on the Agency's own Initiative: New 1, amended 0, repealed 1.

Number of Sections Adopted in Order to Clarify, Streamline, or Reform Agency Procedures: New 0, amended 0, repealed 0.

Number of Sections Adopted using Negotiated Rule Making: New 0, amended 0, repealed 0; Pilot Rule Making: New 0, amended 0, repealed 0; or Other Alternative Rule Making: New 0, amended 0, repealed 0.

Effective Date of Rule: Immediately.

August 29, 1997

Larry Peck
for Bern Shanks
Director

Reviser's note: The spelling error in the above material occurred in the copy filed by the agency and appears in the Register pursuant to the requirements of RCW 34.08.040.

Reviser's note: The brackets and enclosed material in the text above occurred in the copy filed by the agency and appear in the Register pursuant to the requirements of RCW 34.08.040.

NEW SECTION

WAC 220-56-38000K Oysters—Areas. Notwithstanding the provisions of WAC 220-56-380, effective immediately through September 15, 1997 it is unlawful to harvest or possess oysters taken for personal use from the following areas:

(1) Hood Canal - All marine waters south of a line extending from the north tip of Tala Point to the northern tip of Foulweather Bluff.

(2) Totten Inlet - All marine waters south and west of a line extending from the mainland along the Steamboat Island bridge to the northern end of Steamboat Island to the Arcadia boat launch.

(3) Samish Bay - All marine waters east of a line extending from William Point north to Governors Point.

REPEALER

The following section of the Washington Administrative Code is repealed effective 12:01 a.m. September 16, 1997:

WAC 220-56-28000K Oysters—Areas. (97-181)

Reviser's note: The repealer appears as filed by the agency pursuant to RCW 34.08.040; however, the reference to WAC 220-56-28000K is probably intended to be to WAC 220-56-38000K.

**WSR 97-18-067
EMERGENCY RULES
DEPARTMENT OF
FISH AND WILDLIFE
(Fisheries)**

[Order 97-182—Filed September 2, 1997, 2:33 p.m., effective September 2, 1997, 6:00 p.m.]

Date of Adoption: September 2, 1997.

Purpose: Commercial.

Citation of Existing Rules Affected by this Order: Repealing WAC 220-40-02700P and 220-40-02700Q; and amending WAC 220-40-027.

Statutory Authority for Adoption: RCW 75.08.080.

Under RCW 34.05.350 the agency for good cause finds that immediate adoption, amendment, or repeal of a rule is necessary for the preservation of the public health, safety, or general welfare, and that observing the time requirements of notice and opportunity to comment upon adoption of a permanent rule would be contrary to the public interest.

Reasons for this Finding: In-season information indicates a smaller than anticipated Willapa Bay chinook run size. A reduction in the Willapa commercial gill net fishery is necessary to avoid overharvest. There is insufficient time to promulgate permanent rules.

Number of Sections Adopted in Order to Comply with Federal Statute: New 0, amended 0, repealed 0; Federal Rules or Standards: New 0, amended 0, repealed 0; or Recently Enacted State Statutes: New 0, amended 0, repealed 0.

Number of Sections Adopted at Request of a Nongovernmental Entity: New 0, amended 0, repealed 0.

Number of Sections Adopted on the Agency's own Initiative: New 1, amended 0, repealed 2.

Number of Sections Adopted in Order to Clarify, Streamline, or Reform Agency Procedures: New 0, amended 0, repealed 0.

Number of Sections Adopted using Negotiated Rule Making: New 0, amended 0, repealed 0; Pilot Rule Making: New 0, amended 0, repealed 0; or Other Alternative Rule Making: New 0, amended 0, repealed 0.

Effective Date of Rule: September 2, 1997, 6:00 p.m.
September 2, 1997

Evan Jacoby
for Bern Shanks
Director

NEW SECTION

WAC 220-40-02700Q Salmon - Willapa Bay fall fishery. Notwithstanding the provisions of WAC 220-40-027, it is unlawful to fish for or possess salmon taken from Willapa Bay for commercial purposes except as provided for in this section:

Fishing period

(1) Gill net gear may be used for salmon from: 6:00 p.m. September 2 to 6:00 p.m. September 3 in SMCRA 2M, that portion of SMCRA 2G east of a line drawn true north-south through Willapa Channel Entrance Marker Buoy 12, that portion of SMCRA 2H west of Willapa Channel Marker 35, and that portion of SMCRA 2J north of an east-west line through the north entrance marker to the Nahcotta boat basin (red flasher No. 2).

(2) Gill net gear shall be used as provided in WAC 220-40-051 except that before 6:00 p.m. September 17, there is no maximum mesh size limit.

REPEALER

The following section of the Washington Administrative Code is repealed:

WAC 220-40-02700P Salmon-Willapa Bay fall fishery. (97-137)

The following section of the Washington Administrative Code is repealed effective 11:59 p.m. September 15, 1997:

WAC 220-40-02700Q Salmon-Willapa Bay fall fishery.

EMERGENCY



WSR 97-18-004
NOTICE OF PUBLIC MEETINGS
TRANSPORTATION COMMISSION
 [Memorandum—August 21, 1997]

Please publish the following change to the Washington State Transportation Commission's October 1997 meeting schedule:

Previous Dates	Revised Dates	Location
October 14, 15 and 16	October 15 and 16	Water Resources Education Center Vancouver, Washington

WSR 97-18-007
POLICY STATEMENT
DEPARTMENT OF HEALTH
 [Filed August 22, 1997, 12:00 p.m.]

NOTICE OF ADOPTION OF POLICY STATEMENT

Title: Case Disposition Guidelines.

Issuing Entity: Washington State Dental Quality Assurance Commission.

Subject: The commission adopted the Case Disposition Guidelines for the purpose of determining the disposition of complaints/correspondence received by the commission.

Effective Date: November 1, 1996.

Contact Person: Lisa Anderson, Program Manager, Department of Health, Dental Quality Assurance Commission, P.O. Box 47867, Olympia, WA 98504-7867, (360) 664-8090.

WSR 97-18-008
POLICY STATEMENT
DEPARTMENT OF HEALTH
 [Filed August 22, 1997, 12:01 p.m.]

NOTICE OF ADOPTION OF POLICY STATEMENT

Title: Notice of Correction Guidelines.

Issuing Entity: Washington State Dental Quality Assurance Commission.

Subject: The commission adopted the Notice of Correction Guidelines as proposed by the legislature and chapters 18.130, 43.05 and 49.17 RCW et seq.

Effective Date: December 6, 1996.

Contact Person: Lisa Anderson, Program Manager, Department of Health, Dental Quality Assurance Commission, P.O. Box 47867, Olympia, WA 98504-7867, (360) 664-8090.

WSR 97-18-009
POLICY STATEMENT
DEPARTMENT OF HEALTH
 [Filed August 22, 1997, 12:02 p.m.]

NOTICE OF ADOPTION OF POLICY STATEMENT

Title: Complaint Threshold Determination.

Issuing Entity: Washington State Dental Quality Assurance Commission.

Subject: The commission adopted the Complaint Threshold Determination Policy in response to recommendations from the legislature to refine and improve the disciplinary process.

Effective Date: November 1, 1996.

Contact Person: Lisa Anderson, Program Manager, Department of Health, Dental Quality Assurance Commission, P.O. Box 47867, Olympia, WA 98504-7867, (360) 664-8090.

WSR 97-18-011
NOTICE OF PUBLIC MEETINGS
SEATTLE COMMUNITY COLLEGES
 [Memorandum—August 20, 1997]

The Seattle Community College District board of trustees will hold a special meeting to conduct a work session on Friday, September 5, 1997, from 8:00 to noon.

The work session will be held at the Seattle Community College District Siegal Center, in the Elwha Conference Room, at 1500 Harvard, Seattle, WA 98122.

WSR 97-18-015
NOTICE OF PUBLIC MEETINGS
COUNTY ROAD
ADMINISTRATION BOARD
 [Memorandum—August 21, 1997]

Meeting Notice: October 30, 1997
 County Road Administration Board
 2404 Chandler Court S.W., Suite 240
 Olympia, WA 98504-0913
 1:00 p.m. to 5:00 p.m.

October 31, 1997
 County Road Administration Board
 2404 Chandler Court S.W., Suite 240
 Olympia, WA 98504-0913
 8:00 a.m. to noon

Public Hearing October 31, 1997
 - 10:00 a.m. County Road Administration Board
 2404 Chandler Court S.W., Suite 240
 Olympia, WA 98504-0913
 8:00 a.m. to noon

* Individuals requiring reasonable accommodation may request written materials in alternative formats, sign language interpreters, physical accessibility accommodations, or other reasonable accommodation, by contacting Karen Pendleton at (360) 753-5989, hearing and speech impaired persons can call 1-800-833-6384.

MISC.

WSR 97-18-016
NOTICE OF PUBLIC MEETINGS
UNIVERSITY OF WASHINGTON
 [Memorandum—August 21, 1997]

In accordance with RCW 42.30.075, the University of Washington is providing the enclosed meeting schedule(s) for governing bodies of schools, colleges, departments and programs at the university that maintain regular meeting schedules at the UW Public Records Office.

1997 Notice of Meetings
Business Administration Faculty Council

Following is the Business Administration Faculty Council's scheduled meetings for the 1997-1998 academic year.

Dates	Times	Location
Wednesday October 8	2:00-3:30 p.m.	Mackenzie Hall McCabe Room
Wednesday November 12	2:00-3:30 p.m.	Mackenzie Hall McCabe Room
Wednesday December 10	2:00-3:30 p.m.	Mackenzie Hall McCabe Room
Thursday January 15	2:00-3:30 p.m.	Mackenzie Hall McCabe Room
Thursday February 12	2:00-3:30 p.m.	Mackenzie Hall McCabe Room
Thursday March 12	2:00-3:30 p.m.	Mackenzie Hall McCabe Room
Friday April 10	1:00-2:30 p.m.	Mackenzie Hall McCabe Room
Friday May 8	1:00-2:30 p.m.	Mackenzie Hall McCabe Room
Friday June 12	1:00-2:30 p.m.	Mackenzie Hall McCabe Room

WSR 97-18-017
NOTICE OF PUBLIC MEETINGS
WORKFORCE TRAINING AND
EDUCATION COORDINATING BOARD
 [Memorandum—August 22, 1997]

MEETING NOTICE
 WASHINGTON STATE
 WORKFORCE TRAINING AND
 EDUCATION COORDINATING BOARD
 MEETING NO. 56
 SEPTEMBER 11-12, 1997

SEATAC OCCUPATIONAL SKILLS CENTER
 18010 EIGHTH AVENUE SOUTH
 SEATTLE, WA 98148
 (206) 433-2524

September 11, 1997
 5:30 - 9:00 p.m.

The Workforce Training and Education Coordinating Board will hold an informal dinner meeting on September 11, 1997, at Anthony's Home Port Restaurant in Des Moines, Washington. No action will be taken.

September 12, 1997
 8:30 a.m. - 3:00 p.m.
 SeaTac Occupational
 Skills Center
 18010 Eighth Avenue S.
 Seattle, WA

The Workforce Training and Education Coordinating Board will hold a meeting on September 12, 1997, at the SeaTac Occupational Skills Center, Seattle, Washington. The board will take action on revised operating policies for the job skills program and a definition of employability skills. The board will discuss the Certificate of Mastery, its annual report to the legislature, one-stop goals and indicators, and workforce improvement team recommendations. Staff will give a progress report on work associated with HJRC 4403. In addition, the agencies will discuss any proposals for the 1998 legislative session and the board will begin planning for PY [FY] 98 Carl Perkins Vocational Education and JTPA 8% funds.

The meeting site is barrier free. People needing special accommodations, please call Caroline Haggard at least ten days in advance at (360) 753-5677.

WSR 97-18-028
NOTICE OF PUBLIC MEETINGS
WASHINGTON STATE LIBRARY
 (Library Commission)
 [Memorandum—August 25, 1997]

The Washington State Library Commission will meet as indicated below:

Date: Thursday, September 11, 1997
 Time: 3:00 p.m. to 5:00 p.m.
 Location: Washington State Library
 Joel M. Pritchard Library Building
 Conference Room
 Olympia, Washington
 Subject: WSL Commission Briefing Meeting
 Date: Friday, September 12, 1997
 Time: 10:00 a.m. - noon
 Location: Cherberg Building
 Hearing Room #2
 Olympia, Washington

Please do not hesitate to contact Cathy M. Stussy for additional information regarding the meetings noted above. Ms. Stussy can be reached at (360) 753-2914 or FAX (360) 586-7575 or cstussy@statelib.wa.gov.

MISC.

WSR 97-18-037
INTERPRETIVE STATEMENT
EMPLOYMENT SECURITY DEPARTMENT
 [Filed August 27, 1997, 11:17 a.m.]

May 19
 July 17-19
 September 15
 November 17

Subject: Continuing eligibility for timber retraining benefits of individuals enrolled in training prior to implementation of 2SHB 1201.

To receive a copy of the interpretive statement, contact Juanita Myers, UI Policy Unit, P.O. Box 9046, Mailstop 6000, Olympia, WA 98507-9046, phone (360) 902-9665, TDD (360) 902-9569 or 902-9536, FAX (360) 902-9799.
 Carver Gayton
 Commissioner

Locations have yet to be assigned. In addition, the board typically meets the night before each board meeting for executive session business.

WSR 97-18-063
RULES REVIEW PLAN
DEPARTMENT OF LICENSING
 [Filed September 2, 1997, 10:49 a.m.]

Reviser's note: The following Rules Review Plan has been electronically generated directly from the agency and has not been through the usual editing and proofing processes.

WSR 97-18-050
NOTICE OF PUBLIC MEETINGS
DEPARTMENT OF HEALTH
 (Board of Physical Therapy)
 [Memorandum—August 26, 1997]

The following dates have been established for 1998 meetings of the Board of Physical Therapy:

January 17
 March 17

Please accept the Rules Review Plan of the Department of Licensing for publication in the Washington State Register as required by Executive Order 97-02. This plan is provided in narrative and tabular format.

Questions or comments may be addressed to Walt Fahrer, Rules Coordinator, 1125 Washington Street S.E., P.O. Box 9020, Olympia, WA 98507-9020, phone (360) 902-3640, FAX (360) 753-7500, e-mail wfahrer@dol.wa.gov.

Rule Review Plan

Agency Name	WAC Chapters or Document	Section Numbers or Other Unique Identifier	Chapter Title	Document Type I = Interpretive R = Rule O = Other	Statutory Authority	Estimated Review Completion Date (Mo./Yr.)	Business Report Required Y=yes N=no
Department of Licensing	308-104 WAC	308-104-004 to 308-104-050	Driver License Requirements and Examination Process	R	RCW 46.01.110 RCW 46.20.021 RCW 46.20.055 RCW 46.20.120 RCW 46.20.130 RCW 46.20.305	06/98	N
Department of Licensing	308-104 WAC	308-104-014 to 308-104-040	Driver License and Identocard Application and Identification Process	R	RCW 46.01.110 RCW 46.20.035 RCW 46.20.091 RCW 46.20.117 RCW 46.20.205	06/99	N
Department of Licensing	308-104 WAC	308-104-025 to 308-104-130	Traffic Convictions and Driver License Suspension and Revocation	R	RCW 46.01.110 RCW 46.20.270 RCW 46.20.291 RCW 46.20.300 RCW 46.20.308 RCW 46.20.311 RCW 46.20.322 et seq., RCW 46.20.342 RCW 46.52.120 RCW 46.52.130	06/98	N
Department of Licensing	308-104 WAC	308-104-100 to 308-104-105	Occupational Driver's Licenses	R	RCW 46.01.110 RCW 46.20.380 et seq	06/00	N

MISC.

Department of Licensing	308-104 WAC	304-104-130 to 308-104-160	Driving Records	R	RCW 46.01.110 RCW 46.52.120 RCW 46.52.130 RCW 46.61.519 RCW 46.65.020	06/99	N
Department of Licensing Department of Licensing	308-104 WAC 308-102 WAC	308-104-105 to 308-104-340	Hearings and Financial Responsibility Procedures	R	RCW 46.01.110 RCW 46.20.322 et seq. RCW 46.20.391 chapter RCW 46.29 RCW 46.65.065	06/01	N
Department of Licensing	308-104 WAC	308-104-170	Alcohol Treatment Requirements	R	RCW 46.01.110 RCW 46.20.031	06/99	N
Department of Licensing	308-100 WAC	308-100-010 to 308-100-210	Commercial Driver's Licenses and Third Party Testers	R	RCW 46.01.110 chapter 46.25	06/01	Y
Department of Licensing	8704001		Habitual Traffic Offender Reinstatement Process	O		06/99	N
Department of Licensing	8704402		Effective Date of Susp./Revocation	O		06/99	N
Department of Licensing	8704003		Coding of Citations	O		06/99	N
Department of Licensing	8704004		Resuspending/Rerevoking for Canceled Insurance	O		06/99	N

Department of Licensing	8704005		Occupational Driver License: Limitations	O		06/99	N
Department of Licensing	8704006		Leaving Children Unattended in Standing Vehicles	O		06/99	N
Department of Licensing	8705001		Retention/Recording of Citations Based on Conviction Date	O		06/99	N
Department of Licensing	8706001		Effective Dates of Cancellation of Insurance	O		06/99	N
Department of Licensing	8706002		Non-Extension of Driving While Suspended/Revoked	O		06/99	N
Department of Licensing	8706003		FTA: "Infraction" and "Criminal" FTA's	O		06/99	N
Department of Licensing	8706004		FTA: Default on Time Payments	O		06/99	N
Department of Licensing	8706005		Release of the Alcohol Report to the Driver	O		06/99	N
Department of Licensing	8706006		Subpoenas and Depositions	O		06/99	N
Department of Licensing	8708001		RCW 46.65.090; Driving While an Habitual Offender	O		06/99	N
Department of Licensing	8708002		Habitual Traffic Offender Reinstatement Denial	O		06/99	N

MISC.

Department of Licensing	8708003		Occupational Driver License: Multiple Citations/Convictions	O		06/99	N
Department of Licensing	8708004		Occupational Driver License: Violation due to Conviction	O		06/99	N
Department of Licensing	8708005		Out-of-State Convictions for Driving While Suspended/Revoked	O		06/99	N
Department of Licensing	8708006		"Energy" Violations from Other States	O		06/99	N
Department of Licensing	8708007		ADR: Release of Driving Record	O		06/99	N
Department of Licensing	8711001		Canadian Convictions	O		06/99	N
Department of Licensing	8711002		Release of Social Security Number	O		06/99	N
Department of Licensing	8711003		Occupational Driver License: Eligibility - DWLS, DWLR	O		06/99	N
Department of Licensing	8711004		Vision Test	O		06/99	N
Department of Licensing	8711005		Breathtest Affidavits	O		06/99	N
Department of Licensing	8711006		Insurance Required Suspensions	O		06/99	N
Department of Licensing	8711007		Driving While Suspended/Revoked	O		06/99	N

Department of Licensing	8712001		Defective Equipment Citations Issued to Companies	O		06/99	N
Department of Licensing	8801001		Transfer of Citations - Employment/ Nonemployment	O		06/99	N
Department of Licensing	8803001		License Cancellation where Licensee not Entitled to Issuance	O		06/99	N
Department of Licensing	8804001		Vehicle Registration and Plate Cancellation - Applicability	O		06/99	N
Department of Licensing	8804002		Military Convictions	O		06/99	N
Department of Licensing	8804003		Address of Record Establishment	O		06/99	N
Department of Licensing	8804004		Occupational Driver License: Cancellation Upon Unemployment	O		06/99	N
Department of Licensing	8804005		Juvenile Citations and Suspensions	O		06/99	N
Department of Licensing	8806001		Release of the Medical Certificate to the Driver	O		06/99	N
Department of Licensing	8808001		Occupational Driver License: Application	O		06/99	N

MISC.

Department of Licensing	8808002		Felonies Involving a Department of Licensing Motor Vehicle - RCW 46.20.285(4)	O		06/99	N
Department of Licensing	8808003		Bankruptcy	O		06/99	N
Department of Licensing	8904001		Vehicle Registration Cancellation Hearings	O		06/99	N
Department of Licensing	8907001		No Valid Operator's License	O		06/99	N
Department of Licensing	9001001		Restrictions: Daylight Driving Only - Removal	O		06/99	N
Department of Licensing	9001002		Restrictions: Medical - Violation	O		06/99	N
Department of Licensing	9003001		Accidents: Parked Vehicles - Exclusion from ADR	O		06/99	N
Department of Licensing	9005001		Minor in Possession: Local Ordinance	O		06/99	N
Department of Licensing	9010001		Occupational Driver License: Eligibility - Nonresidents	O		06/99	N
Department of Licensing	9010002		FTA: Infraction FTA Considered "Committed" for Title 46 RCW	O		06/99	N

Department of Licensing	9102001		Implied Consent: No Stay Following Superior Court Appeal	O		06/99	N
Department of Licensing	9201001		FTA: Deferred Prosecution	O		06/99	N
Department of Licensing	9201002		Implied Consent Revocation Corrections	O		06/99	N
Department of Licensing	9201003		Implied Consent: Timelines	O		06/99	N
Department of Licensing	9206001		Driving Records: Reduced Charges	O		06/99	N
Department of Licensing	9207001		Copyrighted Recordings	O		06/99	N
Department of Licensing	9307001		Infractions/Citations: Off-Road Vehicles & Snowmobiles	O		06/99	N
Department of Licensing	9402001		Court Costs/Traffic School	O		06/99	N
Department of Licensing	9411001		Medical/Vision Certifications-Signatory Authorities	O		06/99	N
Department of Licensing	308-106 WAC	308-106-010 to 308-106-030	Mandatory Automobile Liability Insurance	R	RCW 46.01.110 RCW 46.30.030	06/01	N
Department of Licensing	308-108 WAC	308-108-100	Driver Training Schools	R	RCW 46.01.110	06/00	Y
Department of Licensing	308-56A WAC	308-56A-005 to 308-56A-090	Applications for Vehicle Ownership	R	RCW 46.01.110 RCW 46.12.101 RCW 88.02.070	12/97	N

MISC.

Department of Licensing	308-56A WAC	308-56A-025 to 308-56A-135	General procedures for making applications for ownership	R	RCW 46.01.110	05/98	N
Department of Licensing	308-56A WAC	308-56A-065 to 308-56A-075	Vehicles held in trust	R	RCW 46.01.110	12/98	N
Department of Licensing	308-56A WAC	308-56A-140 to 308-56A-215	Special procedures for obtaining a vehicle ownership document	R	RCW 46.01.110 RCW 46.12.040 RCW 46.16.216	09/98	N
Department of Licensing	308-56A WAC	308-56A-250 to 308-56A-285	Signatures for release of interest and on applications for certificate of ownership	R	RCW 46.01.110	02/99	N
Department of Licensing	308-56A WAC	308-56A-300 to 308-56A-330	Involuntary divestiture of ownership in vehicles	R	RCW 46.01.110 RCW 46.12.101	07/99	N
Department of Licensing	308-56A WAC	308-56A-335 to 308-56A-365	Disposition of vehicles when owner deceased	R	RCW 46.01.110	10/97	N

Department of Licensing	308-56A WAC	308-56A-400 to 308-56A-420	Vehicle dealer responsibilities	R	RCW 46.01.110 RCW 46.70.160 RCW 46.70.124	11/99	N
Department of Licensing	308-56A WAC	308-56A-450 to 308-56A-470	Branding and special built vehicles	R	RCW 46.01.110	04/00	N
Department of Licensing	308-56A WAC	308-56A-500 to 308-56A-520	Manufactured home certificates of ownership	R	RCW 65.20.110	07/00	N
Department of Licensing	308-56A WAC	308-56A-610 to 308-56A-690	Odometer disclosure statements	R	RCW 46.01.110 RCW 46.12.030	12/00	N
Department of Licensing	308-57 WAC	308-57-005 to 308-57-240	Motor Vehicle Excise Tax	R	RCW 46.01.110 RCW 46.17.060	05/00	N
Department of Licensing	308-58 WAC	308-58-010 to 308-58-050	Reporting Destroyed Vehicles	R	RCW 46.01.110 RCW 46.12.070	12/99	N
Department of Licensing	308-93 WAC	308-93-010 to 308-93-340	General provisions for vessels subject to and exempt from titling	R	RCW 88.02.070 RCW 88.02.100	12/97	N
Department of Licensing	308-93 WAC	308-93-060 to 308-93-640	General provisions for title and registration	R	RCW 88.02.070 RCW 88.02.100	12/98	N

MISC.

Department of Licensing	308-93 WAC	308-93-087 to 308-93-670	Public disclosure of vessel owner names and addresses	R	RCW 88.02.070 RCW 88.02.100	09/98	N
Department of Licensing	308-93 WAC	308-93-110 to 308-93-295	General provisions for transfer of ownership and evidence of ownership	R	RCW 88.02.070 RCW 88.02.100	12/98	N
Department of Licensing	308-93 WAC	308-93-135 to 308-93-320	Vessel registration identification	R	RCW 88.02.070 RCW 88.02.100	07/99	N
Department of Licensing	308-93 WAC	308-93-135 to 308-93-320	Confidential vessel registration	R	RCW 88.02.070 RCW 88.02.100 RCW 88.02.120	11/97	N
Department of Licensing	308-93 WAC	308-93-250 to 308-93-410	Vessel title and registration enforcement measures	R	RCW 88.02.070 RCW 88.02.100	10/99	N
Department of Licensing	308-93 WAC	308-93-370 to 308-93-510	Vessel forms of ownership	R	RCW 88.02.070 RCW 88.02.100	12/99	N
Department of Licensing	308-93 WAC	308-93-520 to 308-93-600	Transfer of ownership when owner deceased	R	RCW 88.02.070 RCW 88.02.100	10/97	N

Department of Licensing	308-93 WAC	308-93-430 to 308-93-480	General provisions for signature	R	RCW 88.02.070 RCW 88.02.100	06/98	N
Department of Licensing	308-93 WAC	308-93-700 to 308-93-770	Consent decree entered in <u>US v. Washington</u> , Civ. No. 9213 - Ph 1, Nov. 1994	R		12/00	N
Department of Licensing	308-94 WAC	308-94-010 to 308-94-110	General provisions for registration of snowmobiles	R	RCW 46.01.110 RCW 46.01.210	09/98	N
Department of Licensing	308-94 WAC	308-94-170 to 308-94-270	General provisions for registration and titling of off road and nonhighway vehicles	R	RCW 46.01.110 RCW 46.10.210	09/99	N
Department of Licensing	308-96A WAC	308-96A-005 to 308-96A-300	General provisions for registration of vehicles	R	RCW 46.01.110 RCW 46.16.135 RCW 46.16.225 RCW 46.16.490 RCW 46.16.276 RCW 46.01.060	12/97	N
Department of Licensing	308-96A WAC	308-96A-161 to 308-96A-420	Misc. provisions for registration of vehicles	R	RCW 46.01.110 RCW 43.17.060 RCW 46.01.060 RCW 46.17.070 RCW 46.16.060	06/98	N

MISC.

Department of Licensing	308-96A WAC	308-96A-046 to 308-96A-540	Provisions for veteran's vehicle licensing and special license plates	R	RCW 46.01.110 RCW 43.17.060 RCW 46.01.060 RCW 46.17.070 RCW 46.16.070	10/98	N
Department of Licensing	308-96A WAC	308-96A-061 to 308-96A-064	Provisions for obtaining honorary consul and foreign organization special license plates	R	RCW 46.01.110 RCW 46.16.276	10/97	N
Department of Licensing	308-96A WAC	308-96A-065 to 308-96A-560	Application and procedures for obtaining special license plates	R	RCW 46.16.335 RCW 46.01.110 RCW 46.12.070 RCW 46.16.276	07/98	N
Department of Licensing	308-96A WAC	308-96A-080 to 308-96A-097	Application and procedures for obtaining confidential license	R	RCW 46.08.006	11/97	N
Department of Licensing	308-96A WAC	308-96A-100 to 308-96A-145	General provisions for licensure of special use class vehicles	R	RCW 46.01.110 RCW 46.16.276 RCW 46.16.600 RCW 43.17.060 RCW 46.01.060	10/98	N
Department of Licensing	308-96A WAC	308-96A-150 to 308-96A-208	Procedures for registration of farm vehicles	R	RCW 46.17.060 RCW 46.01.110 RCW 46.16.070 RCW 46.16.135	12/98	N

Department of Licensing	308-96A WAC	308-96A-205 to 308-96A-220	Procedures for purchasing gross weight license	R	RCW 46.17.060 RCW 46.01.110 RCW 46.16.070 RCW 46.16.135 RCW 46.01.110	12/98	N
Department of Licensing	308-96A WAC	308-96A-306 to 308-96A-340	Disabled person special parking privileges	R	RCW 46.16.276	07/99	N
Department of Licensing	308-96A WAC	308-96A-345 to 308-96A-380	Procedures for reporting and collecting parking ticket violations	R	RCW 46.01.110 RCW 46.12.040 RCW 46.16.216	12/00	N
Department of Licensing	308-330 WAC	All	Model Traffic Ordinance	R	RCW 46.90.010	12/00	N
Department of Licensing	308-61 WAC	308-61-026 to 308-61-190	Unauthorized and Abandoned Vehicles	R	RCW 46.55.190 RCW 46.79.080 RCW 46.80.140	04/00	N
Department of Licensing	308-63 WAC	308-63-010 to 308-63-160	Wreckers	R	RCW 46.55	07/98	N
Department of Licensing	308-65 WAC	308-65-010 to 308-65-080	General licensing provisions and operations of hulk haulers	R	RCW 46.55.190 RCW 46.79.080 RCW 46.80.140	12/98	N
Department of Licensing	308-65 WAC	308-65-090 to 308-65-140	General licensing provisions and operations of scrap processors	R	RCW 46.55.190 RCW 46.79.080 RCW 46.80.140	12/98	N

MISC.

Department of Licensing	308-65 WAC	308-65-150 to 308-65-190	Changing business structure of hulk haulers and scrap processors	R	RCW 46.55.190 RCW 46.79.080 RCW 46.80.140	12/98	N
Department of Licensing	308-66 WAC	308-66-110 to 308-66-230	General licensing provisions and operation of vehicle dealers	R	RCW 46.70.160 RCW 46.70.041 RCW 46.70.085 RCW 46.70.023 RCW 46.70.180 RCW 46.70.090	12/97	N
Department of Licensing	308-66 WAC	308-66-135 to 308-66-225	General licensing provisions and operations of vehicles	R	RCW 46.70.160 RCW 46.70.085 RCW 46.70.023 RCW 46.70.180 RCW 46.70.090	07/99	N
Department of Licensing	308-66 WAC	308-66-210 to 308-66-215	Changing business structure of vehicle dealers and manufacturers	R	RCW 46.70.160 RCW 46.70.041	07/99	N
Department of Licensing	308-67 WAC	308-67-010	Vehicle Dealer Manufacturer Franchise Disputes	R	RCW 46.96	07/98	N
Department of Licensing	308-80 WAC	308-80-010 to 308-80-020	Transporters	R	RCW 46.76.070	10/99	N
Department of Licensing	308-90 WAC	308-90-030 to 308-90-160	Vessel Dealer Registration - General licensing provisions for vessel dealers	R	RCW 88.02	07/00	N

Department of Licensing	308-72 WAC	308-72-500 to 308-72-512	Motor fuel distributor general licensing provisions	R	RCW 82.36.435	12/00	N
Department of Licensing	308-72 WAC	308-72-520 to 308-72-710	Motor fuel distributors operations and reporting responsibilities	R	RCW 82.36.435	12/00	N
Department of Licensing	308-72 WAC	308-72-600 to 308-72-690	Motor fuel distributors tax refunds	R	RCW 82.36.435	12/00	N
Department of Licensing	308-77 WAC	308-77-010 to 308-77-050	Special fuel dealer and user general license provisions	R	RCW 82.38.260	09/00	N
Department of Licensing	308-77 WAC	308-77-020 to 308-77-280	Special dealer and user operations and reporting responsibilities	R	RCW 82.38.260	09/00	N
Department of Licensing	308-77 WAC	308-77-220 to 308-77-265	Special fuel dealer and user tax refunds	R	RCW 82.38.260	09/00	N
Department of Licensing	308-78 WAC	308-78-010 to 308-78-020	Aircraft fuel distributor and user general licensing provisions	R	RCW 82.42.040	12/99	N

MISC.

Department of Licensing	308-78 WAC	308-78-030 to 308-78-090	Aircraft fuel distributor and user operations and reporting responsibilities	R	RCW 82.42.040	12/99	N
Department of Licensing	308-78 WAC	308-78-080	Aircraft fuel tax	R	RCW 82.42.040	12/99	N
Department of Licensing	308-88 WAC	308-88-010 to 308-88-170	Rental Car Taxation and Licensing	R	RCW 46.01.110	12/99	N
Department of Licensing	308-91 WAC	308-91-010 to 308-91-170	Reciprocity and Proration	R	RCW 46.87.010	12/98	N
Department of Licensing	308-97 WAC	308-97-010 to 308-97-230	Vehicle Licenses Interstate and Intransit Permits	R	RCW 46.16.160	12/98	N
Department of Licensing	308-99 WAC	308-99-010 to 308-99-050	Vehicle Reciprocity	R	RCW 46.01.110	12/98	N
Department of Licensing	VEH.1A		Standard Definitions	O		02/00	N
Department of Licensing	VEH.2		Personalized Plates	O		02/00	N
Department of Licensing	VEH.3		Standards of Operations for Agents, Subagents, and DOL office	O		03/00	N

Department of Licensing	VEH.4		Processing of Dishonored Checks, Cancellation and Revalidation of Vehicle and Vessel Registration	O		03/00	N
Department of Licensing	VEH.6		Transmitting Documents	O		04/00	N
Department of Licensing	VEH.7		Bank Accounts	O		04/00	N
Department of Licensing	VEH.8		Appointment and Termination of Agents and Subagents	O		05/00	N
Department of Licensing	VEH.9		Vehicle Field System Workstation Allocation	O		05/00	N
Department of Licensing	VEH.10		Handling of Checks	O		06/00	N
Department of Licensing	VEH.11		Inventory Control	O		06/00	N
Department of Licensing	VEH.12		Insufficient Funds	O		08/00	N
Department of Licensing	VEH.13		VFS Hours Availability	O		08/00	N
Department of Licensing	VEH.14		Refunds	O		08/00	N
Department of Licensing	VEH.15		Reporting Robbery, Burglary, Embezzlement	O		09/00	N
Department of Licensing	VEH.16		Vehicle Field System Security	O		09/00	N

MISC.

Department of Licensing	308-124B WAC	308-124B-030 to 308-124B-150	Real Estate	R	RCW 18.85	06/98	N
Department of Licensing	308-124F WAC	308-124F-010 to 308-124F-040	Real Estate	R	RCW 18.85	06/98	N
Department of Licensing	308-124C WAC	308-124C-010 to 308-124C-040	Real Estate	R	RCW 18.85	06/99	N
Department of Licensing	308-124D WAC	308-124D-010 to 308-124D-061	Real Estate	R	RCW 18.85	06/99	N
Department of Licensing	308-124E WAC	308-124E-012 to 308-124E-014	Real Estate	R	RCW 18.85	06/99	N
Department of Licensing	308-124H WAC	308-124H-011 to 308-124H-800	Real Estate	R	RCW 18.85	06/00	N
Department of Licensing	308-124A WAC	308-124A-010 to 308-124A-600	Real Estate	R	RCW 18.85	06/01	N
Department of Licensing	308-125 WAC	308-125-020 to 308-125-085	Real Estate Appraisers	R	RCW 18.140	06/00	N

Department of Licensing	308-125 WAC	308-125-130 to 308-125-225		R	RCW 18.140	06/01	N
Department of Licensing	308-20 WAC	308-20-001 to 308-20-700	Cosmetologists	R	RCW 18.16	06/99	N
Department of Licensing	308-12 WAC	308-12-010 to 308-12-050	Architects	R	RCW 18.08	09/97	N
Department of Licensing	308-12 WAC	308-12-080 to 308-12-150		R	RCW 18.08	09/98	N
Department of Licensing	308-12 WAC	308-12-320 to 308-12-326		R	RCW 18.08	09/99	N
Department of Licensing		330-1&2, 340-1,2,&4. 350-1,2,4,&5, 360-1&2, 400-1&2, 430-1&2	Architects	I & O	RCW 18.08	09/97	N
Department of Licensing	308-13 WAC	308-13-005 to 308-13-032	Landscape Architects	R	RCW 18.96	10/97	N
Department of Licensing	308-13 WAC	308-13-040 to 308-13-160		R	RCW 18.96	04/98	N

MISC.

Department of Licensing	308-400 WAC		Uniform Commercial Code	R	RCW 60.11 RCW 60.13 RCW 60.68 RCW 62A.9	Exempt	
Department of Licensing	196-08 WAC 196-12 WAC 196-24 WAC 196-26 WAC	196-08 (all) 196-12(all) 196-24-030 to 196-24-105 196-26 (all)	Engineer and Land Surveyor	R	RCW 18.43.035 RCW 43.24.086	06/98	N
Department of Licensing	196-24 WAC 196-27 WAC	196-24-058 to 196-24-110 196-27 (all)	Engineer and Land Surveyor	R	RCW 18.43.035	06/99	N
Department of Licensing	196-04 WAC 196-20 WAC	196-04 (all) 196-20 (all)	Engineer and Land Surveyor	R	RCW 18.43.035	06/00	N
Department of Licensing	196-16 WAC 196-21 WAC	196-16 (all) 196-21 (all)	Engineer and Land Surveyor	R	RCW 18.43.035	06/01	N
Department of Licensing	308-300 WAC	308-300-310	Consolidated Licensing System-- Whitewater River For Hire Registration	R	c 217 laws of 1986 section 11(2) c 391 laws of 1997 section 9	12/97	N
Department of Licensing	308-300 WAC	308-300-010 to 308-300-200	Consolidated Licensing System-- Master License Service	R	RCW 19.02.030(4)	06/98	N

Department of Licensing	308-300 WAC	308-300-210 to 308-300-290	Consolidated Licensing System-- Trade Name Registration	R	RCW 19.80.045	06/01	N
Department of Licensing	308-320 WAC	308-320-010 to 308-320-090	Commercial Telephone Solicitors	R	RCW 19.158.080	06/00	N
Department of Licensing	308-17 WAC	308-17-010 to 308-17-320	Private Detective Agencies and Private Detectives	R	RCW 18.165	07/99	N
Department of Licensing	308-18 WAC	308-18-010 to 308-18-320	Private Security Guard Companies and Private Security Guards	R	RCW 18.170	07/99	N
Department of Licensing	308-89 WAC	308-89-010 to 308-89-060	Transportation of Passengers in For Hire Vehicles	R	RCW 46.72.120	06/01	N
Department of Licensing	36-12 WAC	36-12-010 to 36-12-450	Professional Athletics	R	RCW 67.08	08/98	Y
Department of Licensing	308-19 WAC	308-19-010 to 308-19-300	Bail Bond Agents	R	RCW 18.185	08/99	Y
Department of Licensing	308-21 WAC	308-21-010 to 308-21-600	Athlete Agent Registration	R	RCW 18.175	10/98	N
Department of Licensing	308-48 WAC 308-49 WAC	308-48-010 to 308-49-200	Funeral Directors	R	RCW 18.39	06/99	N

MISC.

Department of Licensing	98-08 WAC 98-70 WAC	98-08-010 to 98-08-590 98-70-010	Cemeteries	R	Title 68	06/99	N
Department of Licensing	308-11 WAC	308-11-010 to 308-11-130	Auctioneers	R	RCW 18.11	07/98	N
Department of Licensing	308-14 WAC	308-14-085 to 308-14-200	Court Reporters	R	RCW 18.145	06/00	N
Department of Licensing	308-30 WAC	308-30-005 to 308-30-160	Notaries Public	R	RCW 42.44	06/00	N
Department of Licensing	308-29 WAC	308-29-010 to 308-29-080	Collection Agencies	R	RCW 19.16	06/00	N
Department of Licensing	308-32 WAC	308-32-015 to 308-32-090	Debt Adjusters	R	RCW 18.28	06/98	N
Department of Licensing	308-33 WAC	308-33-011 to 308-33-105	Employment Agencies	R	RCW 19.31	06/98	N
Department of Licensing	308-420 WAC	308-420-010 to 308-420-240	Camping Resorts	R	RCW 19.105	06/01	N
Department of Licensing	308-129 WAC	308-129-010 to 308-129-350	Sellers of Travel	R	RCW 19.138	06/01	N
Department of Licensing	308-127 WAC	308-127-035 to 308-127-300	Time Shares	R	RCW 64.36	06/01	N

Department of Licensing	308-87 WAC	308-87-010 to 308-87-080	Limousine Carrier Business	R	RCW 46.72A.120	06/99	N
Department of Licensing	308-04 WAC	308-04-010 308-04-020	General Provisions	R	RCW 46.01.230 (3)	07/98	N
Department of Licensing	308-08 WAC	308-08-005 to 308-08-660	Practice and Procedure	R	RCW 34.05.250	07/99	N
Department of Licensing	308-10 WAC	308-10-005 to 308-10-070	Public Records Disclosure	R	RCW 42.17	06/00	N
Department of Licensing	ADM.5C		Dishonored Checks	O		07/99	N
Department of Licensing	ADM.7C		Public Disclosure	O		07/99	N
Department of Licensing	ADM.21B		Revenue Over The Counter	O		07/99	N
Department of Licensing	PER.22A		Summer Employment	O		07/99	N
Department of Licensing	ADM.33B		Refund Processing	O		07/99	N
Department of Licensing	PER.22A		Summer Employment	O		07/99	N
Department of Licensing	ADM.33B		Refund Processing	O		07/99	N
Department of Licensing	PER.23B		Office Hours	O		07/99	N
Department of Licensing	PER.25B		Equal Employment Opportunity	O		07/99	N
Department of Licensing	PER.29A		Employee Selection and Hiring	O		07/99	N

MISC.

DEPARTMENT OF LICENSING

September 1, 1997

TO: Fred Stephens, Deputy Chief of Staff
FROM: Evelyn P. Yenson, Director
SUBJECT: Department of Licensing, Rule Review Plan

I am pleased to present the Department of Licensing's plan to review all agency rules over the next four years. Licensing is an agency which continues to embrace regulatory improvement. This is evidenced by the agency's compliance with RCW 19.85.050 (Regulatory Fairness Act) where all rules were reviewed over a ten year time period (1982 - 1992).

All agency programs are committed to review all rules, not just those that may be controversial or may have been the source of complaints. Our review narrative document, attached, has two sections:

- The division of all rules into logical topic areas and the identification of the stakeholders who were contacted to help develop the review plan.
The Rules Review Plan, with time tables and methods by which interested parties can participate in the review process.

We plan to continue the review of our rules using these same methods beyond the initial four year period. Additionally, all new rules will adhere to the principles outlined in Executive Order 97-02.

Feel free to contact us with any questions or comments.

cc: Fred Hellberg
Walt Fahrer
John Swannack

DEPARTMENT OF LICENSING

Table of Contents

Rule Review Plan Development:

Driver Services 3
Vehicle Services 6
Business and Professions Division 16
Administrative Services 28

Rule Review Plan:

Driver Services 29
Vehicle Services 32
Business and Professions Divisions 37
Administrative Services 56

RULE REVIEW PLAN DEVELOPMENT

DRIVER SERVICES

Approach: Driver Services has divided its administrative rules into eleven subject categories, identified stakeholders for each category, and invited stakeholder participation in developing a review plan for each subject category. The review plan has been developed in coordination with the appropriate stakeholders.

Categories:

Subject area: Driver License Requirements and Examination Process.

Rules involved: WAC 308-104-004, -006, -008, -010, -012, -047, -050.

Potential stakeholders: Military, American Association of Motor Vehicle Administrators (AAMVA), Department of Social and Health Services (DSHS) Division of Alcohol and Substance Abuse (DASA), Superintendent of Public Instruction (SPI), Federal Immigration and Naturalization Service (INS), Washington State Patrol (WSP), Local Law Enforcement, Insurance Industry, Motorcycle Safety Groups, ABATE, ACLU, National Traffic Safety Institute, AAA Washington, Office of the Attorney General (AG), Office of Financial Management (OFM), Legislative Transportation Committee (LTC).

Subject area: Driver License and Identocard Application and Identification Process.

Rules involved: WAC 308-104-014, -015, 018, -040.

Potential stakeholders: AAMVA, DSHS DASA, INS, US Secretary of State, Military, WSP, Local Law Enforcement, District and Municipal Court Judges, Retail and Banking Industry, County and Municipal Governments, LTC, Governor's Office of Indian Affairs, Department of Corrections, Northwest Immigrant Rights Project, Gambling Commission, Liquor Control Board, US Secret Service, ACLU, Bureau of Alcohol, Tobacco, and Firearms (BATF), FBI, US Border Patrol, US Customs Service, Drug Enforcement Agency (DEA), US Attorney General, AG, OFM.

Subject area: Traffic Convictions and Driver License Suspension and Revocation.

Rules involved: WAC 308-104-025, -035, -056, -060, -070, -080, -090, -120, -130.

Potential stakeholders: WSP, Local Law Enforcement, Judges, Court Clerks and Administrators, Washington Traffic Safety Commission (WTSC), Insurance Industry, Prosecuting Attorneys, City Attorneys, Washington State Bar Association, Probation Officers, Alcohol and Substance Abuse Agencies, DSHS DASA, Driver Improvement Schools, National Park Service, Department of Fish and Wildlife, Parks and Recreation Commission, AG, OFM, Office of the Administrator for the Courts (OAC).

Subject area: Occupational Driver's Licenses.

Rules involved: WAC 308-104-100, -105.

Potential stakeholders: WSP, Local Law Enforcement, Judges, Court Clerks and Administrators, DSHS DASA, Association of Businesses, Teamsters Union, AG, OFM, LTC.

Subject area: Hearings and Financial Responsibility Procedures.

Rules involved: WAC 308-104-105, -120, -340, Chapter 308-102 WAC.

MISC.

Potential stakeholders: Insurance Industry, Association of Businesses, Judges, Court Clerks and Administrators, Prosecuting Attorneys, Washington State Bar Association, WSP, Local Law Enforcement, AG, OFM, LTC.

Subject area: Driving Records.

Rules involved: WAC 308-104-130, -135, -145, -150, -155, -160.

Potential stakeholders: Judges, Court Clerks and Administrators, WSP, Local Law Enforcement, Service Bureaus, Insurance Industry, Prosecuting Attorneys, Washington State Bar Association, City Attorneys, Probation Officers, SPI, Department of Health, DSHS, DSHS DASA, Employment Security, US Postal Service, Department of Information Services, AG, OFM, OAC, LTC.

Subject area: Alcohol Treatment Requirements.

Rules involved: WAC 308-104-170.

Potential stakeholders: DSHS DASA, Probation Officers, District and Municipal Court Judges, AG, OFM, LTC.

Subject area: Commercial Driver's Licenses and Third-Party Testers.

Rules involved: WAC 308-100-010, -020, -040, -050, -060, -100, -110, -120, -130, -140, -150, -160, -170, -180, -190, -200, -210.

Potential stakeholders: WTSC, NDR, CDLIS, National Highway Traffic Safety Administration, Trucking Association, WSP, Local Law Enforcement, Teamsters Union, AG, OFM, LTC.

Subject area: Motorcycle Endorsements.

Rules involved: WAC 308-100-090.

Potential stakeholders: Motorcycle Education Instructors, ABATE, WSP, Local Law Enforcement, WTSC, AAMVA, AG, OFM, LTC.

Subject area: Mandatory Automobile Liability Insurance.

Rules involved: Chapter 308-106 WAC.

Potential stakeholders: Insurance Industry, Insurance Commissioner's Office, WSP, Local Law Enforcement, District and Municipal Court Judges, AG, OFM, LTC.

Subject area: Driver Training Schools.

Rules involved: WAC 308-108-100.

Potential stakeholders: SPI, Commercial Driving Schools, Insurance Industry, AG, OFM, LTC.

VEHICLE SERVICES

Approach: Vehicle Services Division has divided its administrative rules into subject categories and has identified stakeholders for each category. Stakeholders have been consulted in the development of the Review Plan and will continue to be invited to participate in a regulatory review of each category.

Review Categories:

Chapter 308-56A WAC, Certificates of Title - Motor Vehicles, Etc.

Subject Area: Applications for vehicle ownership.

Sections: WACs 308-56A-005, -010, -015, -020, -021, -022, -023, -080, -085, and -090,

Potential Stakeholders: General public, lending institutions, vehicle dealers, trucking industry, rental car companies, County Auditors and their subagents, insurance indus-

try, and Washington State Patrol, AAA of Washington, Washington Banking Association, WACO, CATRALA, Insurance Auto Auctions, WSADA, WSIADA and the Credit Union League.

Subject Area: General procedure for making applications for ownership.

Sections: WACs 308-56A-025, -030, -035, -040, -045, -050, -055, -060, -100, -105, -110, -115, -125, -130, and -135.

Potential Stakeholders: General public, lending institutions, vehicle dealers, rental car companies, County Auditors and their subagents, insurance industry, Washington Trucking Association, and Washington State Patrol, AAA of Washington, Washington Banking Association, WACO, CATRALA, Insurance Auto Auctions, WSADA, WSIADA and the Credit Union League.

Subject Area: Vehicles held in trust.

Sections: WACs 308-56A-065, -070, and -075.

Potential Stakeholders: General public, lending institutions, County Auditors and their subagents, and legal community, AAA of Washington, Washington Banking Association, WACO, CATRALA, Insurance Auto Auctions, WSADA, WSIADA and the Credit Union League.

Subject Area: Special procedures for obtaining a vehicle ownership document.

Sections: WACs 308-56A-140, -145, -150, -160, -200, -205, -210, and -215.

Potential Stakeholders: General public, Washington State Patrol, County Auditors and their subagents, Federal Trade Commission, US DOT - National Highway Traffic Safety Administration, AAA of Washington, Washington Banking Association, WACO, CATRALA, Insurance Auto Auctions, WSADA, WSIADA and the Credit Union League.

Subject Area: Signatures for release of interest and on applications for certificate of ownership.

Sections: WAC 308-56A-250, -255, -265, -270, -275, -280, and -285.

Potential Stakeholders: General public, lending institutions, County Auditors and their subagents, vehicle dealers, scrap processors, hulk haulers, tow truck operators, and insurance industry, AAA of Washington, Washington Banking Association, WACO, CATRALA, Insurance Auto Auctions, WSADA, WSIADA and the Credit Union League.

Subject Area: Involuntary divestiture of ownership in vehicle.

Sections: WACs 308-56A-300, -305, -310, -315, -320, -325, and -330.

Potential Stakeholders: General Public, County Auditors and their subagents, courts, legal community, Washington Association of Sheriffs and Police Chiefs, and tow truck operators, AAA of Washington, Washington Banking Association, WACO, CATRALA, Insurance Auto Auctions, WSADA, WSIADA and the Credit Union League.

Subject Area: Disposition of vehicle when owner deceased.

Sections: WACs 308-56A-335, -340, -345, -350, -355, -360, and -365.

Potential Stakeholders: General public, County Auditors and their subagents, legal community, courts, and lending institutions, AAA of Washington, Washington Banking

Association, WACO, CATRALA, Insurance Auto Auctions, WSADA, WSIADA and the Credit Union League.

Subject Area: Vehicle dealer responsibilities.

Sections: WACs 308-56A-400, -405, -410, -415, and -420.

Potential Stakeholders: General public, County Auditors and their subagents, WSADA and WSIADA.

Subject Area: Branding and special built vehicles.

Sections: WACs 308-56A-450, -455, -460, -465, and -470.

Potential Stakeholders: General Public, County Auditors and their subagents, insurance industry, fleet owners, and vehicle salvage industry, AAA of Washington, Washington Banking Association, WACO, CATRALA, Insurance Auto Auctions, WSADA, WSIADA and the Credit Union League.

Subject Area: Manufactured home certificates of ownership.

Sections: WACs 308-56A-500, -505, -510, -515, and -520.

Potential Stakeholders: General public, County Auditors and their subagents, manufactured home manufacturers, manufactured home owners association, Escrow Office businesses, and Real Estate businesses, Washington Banking Association, the Credit Union League, WACO.

Subject Area: Odometer disclosure statements.

Sections: WACs 308-56A-610, -620, -630, -640, -650, -660, -670, -680, and -690.

Potential Stakeholders: General public, County Auditors and their subagents, National Highway Traffic Safety Administration, vehicle dealers associations, insurance industry, vehicle salvage industry, AAA of Washington, Washington Banking Association, WACO, CATRALA, Insurance Auto Auctions, WSADA, WSIADA and the Credit Union League.

Chapter 308-57 WAC, Motor Vehicle Excise Tax.

Subject Area: Motor vehicle excise tax assessments.

Sections: Chapter 308-57 WAC.

Potential Stakeholders: General public, County Auditors and their subagents, Rental Car companies, and Washington Trucking Association, AAA of Washington, Washington Banking Association, WACO, CATRALA, Insurance Auto Auctions, WSADA, WSIADA and the Credit Union League.

Chapter 308-58 WAC, Reporting Destroyed Vehicles.

Subject Area: Procedures for reporting and licensing destroyed vehicles.

Sections: Chapter 308-58 WAC.

Potential Stakeholders: General Public, County Auditors and their subagents, Insurance industry, lending institutions, vehicle dealers, scrap processors, hulk haulers, tow truck operators, government agencies, US DOT - National Highway Traffic Safety Commission, Washington State Patrol, and Washington Traffic Safety Commission, AAA of Washington, Washington Banking Association, WACO, CATRALA, Insurance Auto Auctions, WSADA, WSIADA and the Credit Union League.

Chapter 308-61 WAC, Unauthorized and Abandoned Vehicles.

Subject Area: General licensing provisions and operations of tow truck operators.

Sections: Chapter 308-61 WAC.

Potential Stakeholders: General public, tow truck operators, Washington State Patrol, vehicle wreckers, hulk haulers, insurance industry, and Washington Association of Sheriffs and Police Chiefs.

Chapter 308-63 WAC, Wreckers.

Subject Area: General licensing provisions and operations of vehicle wreckers.

Sections: Chapter 308-63 WAC.

Potential Stakeholders: General public, vehicle wreckers, tow truck operators, hulk haulers, Washington State Patrol, lending institutions, insurance industry, vehicle dealers and Washington Association of Sheriffs and Police Chiefs.

Chapter 308-65 WAC, Hulk Haulers/Scrap Processors.

Subject Area: General licensing provisions and operations of hulk haulers.

Sections: WACs 308-65-010, -020, -030, -040, -050, -060, -070, and -080.

Potential Stakeholders: General public, vehicle hulk haulers, tow truck operators, vehicle wreckers, Washington State Patrol, and Washington Association of Sheriffs and Police Chiefs.

Subject Area: General licensing provisions and operations of Scrap Processors.

Sections: WACs 308-65-090, -100, -110, -120, -130, and -140.

Potential Stakeholders: General public, vehicle scrap processors, hulk haulers, vehicle wreckers, Washington State Patrol, and Washington Association of Sheriffs and Police Chiefs.

Subject Area: Changing business structure of hulk haulers and scrap processors.

Sections: WACs 308-65-150, -160, -170, -180, and 190.

Potential Stakeholders: Vehicle hulk haulers and scrap processors.

Chapter 308-66 WAC, Motor Vehicle Dealers and Manufacturers.

Subject Area: General licensing provisions and operations of vehicle dealers.

Sections: WACs 308-66-110, -120, -135, -140, -145, -152, -155, -156, -157, -160 (1) through (7), -165, -170(1), -180, -200, -205, -206, -220, and -230.

Potential Stakeholders: General public, vehicle dealers associations, Washington State Patrol, Washington Association of Sheriffs and Police Chiefs, hulk haulers, scrap processors, lending institutions, advertising media, and vehicle wreckers, AAA of Washington, Washington Banking Association, WACO, CATRALA, Insurance Auto Auctions, WSADA, WSIADA and the Credit Union League.

Subject Area: General licensing provisions and operations of vehicle manufacturers.

Sections: WACs 308-66-135, -150, -160(8), -170(2), and -225.

Potential Stakeholders: Vehicle manufacturers.

Subject Area: Changing business structure of vehicle dealers and manufacturers.

Sections: WACs 308-66-210, -211, -212, -214, and -215.

Potential Stakeholders: WSADA, WSIADA and vehicle manufacturers.

Chapter 308-67 WAC, vehicle Dealer Manufacturer Franchise Disputes.

Subject Area: Filing fee for franchise disputes.

Sections: Chapter 308-67 WAC.

Potential Stakeholders: WSADA, WSIADA and vehicle manufacturers.

Chapter 308-72 WAC, Motor Vehicle Fuel Tax.

Subject Area: Motor fuel distributor general licensing provisions.

Sections: WAC 308-72-500, -502, -504, -506, -508, -509, -510, and -512.

Potential Stakeholders: Motor vehicle fuel distributors.

Subject Area: Motor fuel distributors operations and reporting responsibilities.

Sections: WACs 308-72-520, -530, -540, -542, -543, -550, -560, -570, -700, and -710.

Potential Stakeholders: Motor vehicle fuel distributors, Department of Revenue.

Subject Area: Motor fuel distributors tax refunds.

Sections: 308-72-600, -610, -620, -630, -640, -650, -660, -665, -670, -680, and -690.

Potential Stakeholders: Motor vehicle fuel distributors, Department of Revenue, and Northwest Marine Trade Association

Chapter 308-77 WAC, Special Fuel Tax Rules and Regulations.

Subject Area: Special fuel dealer and user general license provisions.

Sections: WACs 308-77-010, -030, -032, -034, -040, -042, -044, -045, -045, and -050.

Potential Stakeholders: Special fuel dealers, Washington Trucking Association, and special fuel users (agricultural, etc.)

Subject Area: Special dealer and user operations and reporting responsibilities.

Sections: WACs 308-77-020, -060, -070, -090, -095, -100, -110, -120, -125, -130, -150, -155, -160, -165, -170, -180, -190, -215, and -280.

Potential Stakeholders: Special fuel dealers, Washington Trucking Association, and special fuel users (agricultural, etc.).

Subject Area: Special fuel dealer and user tax refunds.

Sections: WACs 308-77-220, -230, -240, -250, -260, and -265.

Potential Stakeholders: Special fuel dealers, Washington Trucking Association, and special fuel users (agricultural, etc.).

Chapter 308-78 WAC, Aircraft Fuel Tax.

Subject Area: Aircraft fuel distributor and user general licensing provisions.

Sections: WACs 308-78-010 and -020

Potential Stakeholders: Aeronautics Division of Department of Transportation, aircraft fuel distributors, and aircraft fuel users.

Subject Area: Aircraft fuel distributor and user operations and reporting responsibilities

Sections: WACs 308-78-030, -040, -045, -050, -060, -070, and -090.

Potential Stakeholders: Aeronautics Division of Department of Transportation, aircraft fuel distributors, and aircraft fuel users.

Subject Area: Aircraft fuel tax refunds.

Sections: WAC 308-78-080.

Potential Stakeholders: Aeronautics Division of Department of Transportation, aircraft fuel distributors, and aircraft fuel users.

Chapter 308-80 WAC, Transporters.

Subject Area: General licensing provisions and use of transporter license plates.

Sections: Chapter 308-80 WAC.

Potential Stakeholders: Vehicle dealers, vehicle auctions companies, and Washington State Patrol.

Chapter 308-88 WAC, Rental Car Taxation and Licensing.

Subject Area: General licensing provisions for rental car companies.

Sections: Chapter 308-88 WAC.

Potential Stakeholders: Department of Revenue, rental car companies.

Chapter 308-90 WAC, Vessel Dealer Registration.

Subject Area: General licensing provisions for vessel dealers.

Sections: Chapter 308-90 WAC.

Potential Stakeholders: Vessel dealers, County Auditors and their subagents, State Parks and Recreation Commission, and Department of Revenue.

Chapter 308-91 WAC, Reciprocity and Proration.

Subject Area: General provisions for uniform vehicle registration proration and reciprocity agreements referred to as "compact" and "international registration plan".

Sections: Chapter 308-91 WAC.

Potential Stakeholders: Washington State Patrol, Department of Transportation, utilities and transportation commission, and other member states.

Chapter 308-93, Vessel Registration and Certificates of Title.

Subject Area: General provisions for vessels subject to and exempt from titling, registration and excise tax.

Sections: WACs 308-93-010, -030, -040, -050, -079, -090, -100, -160, and -340.

Potential Stakeholders: General public, Government agencies, Indian tribes, Parks and Recreation Commission, Department of Revenue, and US Coast Guard, Washington Banking Association, WACO, the Credit Union League.

Subject Area: General provisions for title and registration.

Sections: WACs 308-93-060, -070, -071, -073, -074, -075, -078, -080, -085, -285, -300, -330, -350, -360, -420, -620, -630, and -640.

Potential Stakeholders: General public, County auditors and their subagents, vessel dealers, US Coast Guard, and Parks and Recreation Commission, Washington Banking Association, WACO, the Credit Union League.

Subject Area: Public Disclosure of vessel owner names or addresses.

Sections: WACs 308-93-087, -088, -660, and -670.

Potential Stakeholders: General public, business entities, vessel dealers, and government entities, Washington Banking Association, WACO, the Credit Union League.

Subject Area: General provisions for transfer of ownership and evidence of ownership.

Sections: WACs 308-93-110, -120, -180, 190, -200, -210, -215, -220, -230, -290, and -295.

Potential Stakeholders: General public, county auditors and their subagents, lending institutions, and vessel dealers, Washington Banking Association, WACO, the Credit Union League.

Subject Area: Vessel registration identification.

Sections: WACs 308-93-135, -140, -145, -155, and -320.

Potential Stakeholders: Washington State Patrol, Parks and Recreation Commission, US Coast Guard, county auditors and their subagents.

Subject Area: Confidential vessel registration.

Sections: WACs 308-93-241, -242, -243, -244, and -245.

Potential Stakeholders: Law Enforcement Agencies.

Subject Area: Vessel title and registration enforcement measures.

Sections: WACs 308-93-250, -270, -280, and -410.

Potential Stakeholders: General public, lending institutions, legal profession, and county auditors and their subagents, Washington Banking Association, WACO, the Credit Union League.

Subject Area: Vessel forms of ownership.

Sections: WACs 308-93-370, -380, -390, -400, -490, -500, and -510.

Potential Stakeholders: General public, lending institutions, legal profession, county auditors and their subagents, and vessel dealers, Washington Banking Association, WACO, the Credit Union League.

Subject Area: Transfer of ownership when owner deceased.

Sections: WACs 308-93-520, -530, -540, -550, -560, -570, -580, -590, and -600.

Potential Stakeholders: General public, lending institutions, legal profession, county auditors and their subagents, Washington Banking Association, WACO, the Credit Union League.

Subject Area: General provisions for signatures.

Sections: WACs 308-93-430, -440, -450, -460, -470, and -480.

Potential Stakeholders: General public, county auditors and their subagents, and vessel dealers, Washington Banking Association, WACO, the Credit Union League.

Subject Area: Consent decree entered in United States V. Washington, Civ. No 9213 - Phase I - Sub. 88-1 entered on November 28, 1994.

Sections: WACs 308-93-700, -710, -720, -730, -740, -750, -760, and -770.

Potential Stakeholders: Indian tribes signatory to the decree, DOL, and United States.

Chapter 308-94 WAC, Snowmobiles and Off-Road and Nonhighway Vehicles.

Subject Area: General provisions for registration of snowmobiles.

Sections: WACs 308-94-010, -030, -040, -050, -070, -080, -090, -100, and -110.

Potential Stakeholders: General public, snowmobile dealers, snowmobile clubs and associations, county auditors and their subagents, and Parks and Recreation Commission.

Subject Area: General provisions for registration and titling of off-road and nonhighway vehicles.

Sections: WACs 308-94-170, -181, -191, -200, -210, -220, -240, -250, -261, -265, and -270.

Potential Stakeholders: General public, ORV dealers, ORV clubs and associations, county auditors and their subagents, Washington State Patrol, and Parks and Recreation Commission.

Chapter 308-96A WAC, Vehicle Licenses.

Subject Area: General provisions for registration of vehicles.

Sections: WACs 308-96A-005, -010, -015, -021, -025, -026, -035, -040, -180 -260, -295, and -300.

Potential Stakeholders: General public, county auditors and their subagents, AAA of Washington, WACO, CATRALA, Insurance Auto Auctions, WSADA, WSIADA, the Credit Union League.

Subject Area: Miscellaneous provisions for registration of vehicles.

Sections: WACs 308-96A-161, -162, -260, -275, -400, -410, -415, and -420.

Potential Stakeholders: General Public, county auditors and their subagents, AAA of Washington, WACO, CATRALA, Insurance Auto Auctions, WSADA, WSIADA, the Credit Union League.

Subject Area: Provisions for veteran's vehicle licensing and special license plates.

Sections: WACs 308-96A-046, -050, -056, -057, -505, -510, -520, -530, and -540.

Potential Stakeholders: General public, veteran organizations, Department of Veteran Affairs, and county auditors and their subagents, AAA of Washington, WACO, CATRALA, Insurance Auto Auctions, WSADA, WSIADA, the Credit Union League.

Subject Area: Provisions for obtaining honorary consul and foreign organization special license plates.

Sections: WACs 308-96A-061, 062, -063, and -064.

Potential Stakeholders: Consuls, foreign government organizations, county auditors and their subagents.

Subject Area: Applications and procedures for obtaining special license plates.

Sections: WACs 308-96A-065, -066, -070, -071, -072, -073, 074, -175, -176, -550, and -560.

Potential Stakeholders: General public, Washington State Patrol, county auditors and their subagents, AAA of Washington, WACO, CATRALA, Insurance Auto Auctions, WSADA, WSIADA, the Credit Union League.

Subject Area: Applications and procedures for obtaining confidential license plates.

Sections: WACs 308-96A-080, -085, -090, -095, and -097.

Potential Stakeholders: Law Enforcement Agencies, and Washington State Patrol.

Subject Area: General procedures for licensure of special use class vehicles.

Sections: WACs 308-96A-100, -105, -106, -110, -120, -135, -136, and -145.

Potential Stakeholders: General public, vehicle dealers, Washington State Patrol, and county auditors and their subagents.

Subject Area: Procedures for registration of farm vehicles.

Sections: WACs 308-96A-150, -207, and -208.

Potential Stakeholders: Farm organizations and associations, Washington State Patrol, county auditors and their subagents, AAA of Washington, WACO, CATRALA, Insurance Auto Auctions, WSADA, WSIADA, the Credit Union League.

Subject Area: Procedures for purchasing gross weight license.

Sections: WACs 308-96A-210, -205, -206, 210, and -220..

Potential Stakeholders: Washington Trucking Association, utilities and transportation commission, Washington State Patrol, Department of Revenue, and county auditors and their subagents, WSADA, WSIADA, WACO.

Subject Area: Disabled person special parking privileges.

Sections: WACs 308-96A-306, -310, -315, -320, -325, -330, -335, and -340.

Potential Stakeholders: Health car providers, Disabled Person Associations, Laws Enforcement Agencies, and county auditors, WSADA, WSIADA, WACO.

Subject Area: Procedures for reporting and collection of parking ticket violations.

Sections: WACs 308-96A-345, -350, -355, -360, -365, -370, -375, and -380

Potential Stakeholders: Association of Washington Cities, Association of Washington Counties, county auditors and their subagents, WACO.

Chapter 308-97 WAC, Vehicle License Interstate and Intransit Permits.

Subject Area: Procedures for obtaining and using trip permits.

Sections: Chapter 308-97 WAC.

Potential Stakeholders: General public, farmers and farm organizations, contractors and contractor organizations, vehicle dealers, county auditors and their subagents, recreation vehicle owners, recreation vehicle organizations, Washington Trucking Associations, and Washington State Patrol.

Chapter 308-99 WAC, Vehicle Reciprocity.

Subject Area: Procedure for operation of foreign plated vehicles in this state.

Sections: Chapter 308-99 WAC.

Potential Stakeholders: General public, foreign visitors, people moving into the state, Washington State Patrol, and Department of Revenue.

Chapter 308-330 WAC, Model Traffic Ordinance.

Subject Area: Standard local government traffic ordinance.

Sections: Chapter 308-330 WAC.

Potential stakeholders: Local Law Enforcement Agencies, Washington Traffic Safety Commission, Washington State Patrol, Association of Cities, Association of Counties, Association of Sheriffs and Police Chiefs

BUSINESS AND PROFESSIONS DIVISION

Approach: The Business and Professions Division will conduct a four-year systematic review of approximately 500 rules of the 26 business and licensing programs. Responsibility for conducting the rules review will be with the program administrators. The rules will be reviewed according to the criteria outlined in Executive Order 97-02 with the intent of determining whether each rule should be retained, repealed, or amended. A high level of public participation in the reviews will be solicited from various stakeholder groups, boards and commissions. Selected methods of solicitation of involvement shall include but are not limited to:

1. Direct contacts and personal communications with industry associations, professional boards and commissions. Associations will be solicited to carry rule-making notices in newsletters and announcements at association meetings and gatherings.
2. Direct contacts with licensees through solicitations on license and registration renewal notices requesting individual participation in rule-making.
3. News media coverage, specifically on public sensitive issues and rules having significant impact on individuals or businesses.
4. Aggressively searching for representative from social societies and occupational groups to participate in the Division's rule-making.

Stakeholder groups have been consulted in the development of the Review Plan. Further public participation in the reviews will be achieved through board and commission meetings, focus groups, surveys, and written testimony. Research will be derived from AAG analyses, available data, economic analyses, and historical records and files. Documentation of the research and applied criteria will be placed in the official rules files held in each program area.

Rules which do not meet the criteria will be repealed semi-annually through the expedited rules repeal process or amended according to all requirements of the Administrative Procedures Act and the Regulatory Reform Act.

Rules will be reviewed according to the schedule below. Every fourth year from the end of the last review process, the Department of Licensing will reopen the rule for public comment. The comments received from the public will determine the need for amendments or repeal.

Review Categories:

Subject area: Professional Athletes

WAC Chapter: 36-12

Number of rules involved: 59

Estimated Completion date: August 1998

How stakeholders were involved in the development of the review plan:

A letter explaining what rule review is and a copy of the plan was mailed to stakeholders inviting them to comment or suggest changes including the timing proposed for each set of rules to be reviewed.

Stakeholders Involved:

Boxing Advisory Committee
Officials
Promoters
Professional Athletes

Summary of Responses:

No responses were received from 60 letters sent.

Subject area: Bail Bond Agents

WAC Chapter: 308-19

Number of rules involved: 16

Estimated completion date: May 1999

How stakeholders were involved in the development of the review plan:

A letter explaining what rule review is and a copy of the plan was mailed to stakeholders inviting them to comment or suggest changes including the timing proposed for each set of rules to be reviewed.

Stakeholders Involved:

Washington State Bail Bond Agents Association
Court Clerks

Summary of Responses:

No responses were received from 1 letter sent.

Subject area: Architects

WAC Chapter: 308-12

Number of rules involved: 23

Estimated completion date: September 2001

How stakeholders were involved in the development of the review plan:

The members of the state Board of Registration for Architects were provided copies of Executive Order 97-2, a memorandum of explanation on how the rules would be reviewed, and a schedule of when the board would review the rules.

Stakeholders Involved:

Washington State Board of Registration for Architects

Summary of Responses:

Verbal approval of the plan from three members of the Board.

Subject area: Landscape Architects

WAC Chapter: 308-13

Number of rules involved: 16

Estimated completion date: October 2000

How stakeholders were involved in the development of the review plan:

The members of the Board of Registration for Landscape Architects were provided with copies of Executive Order 97-2, a transmittal memorandum of explanation, and a proposed plan for scheduling review of all rules in the chapter.

Summary of Responses:

No comments or revisions were received.

Subject area: Security Guards - Private Investigators

WAC Chapter: 308-17 308-18

Number of rules involved: 13

Estimated completion date: July 1999

How stakeholders were involved in the development of the review plan:

A letter explaining what rule review is and a copy of the plan was mailed to stakeholders inviting them to comment or suggest changes including the timing proposed for each set of rules to be reviewed.

Stakeholders Involved:

Security Guard Ad-Hoc Committee
Private Investigator Ad-Hoc Committee
Licensed SG's

Licensed PI's

WA state Security Guard Council

PNAI

Summary of Responses:

No responses were received from 24 letters sent

Subject area: Athlete Agents

WAC chapter: 308-21

Number of rules involved: 7

Estimated completion date: October 1998

How stakeholders were involved in the development of the review plan:

A letter explaining what rule review is and a copy of the plan was mailed to stakeholders inviting them to comment or suggest changes including the timing proposed for each set of rules to be reviewed.

Stakeholders Involved:

Professional Athlete Agents

Summary of Responses:

No responses were received from 5 letters sent.

Subject Area: Engineers and Land Surveyors

Rules Involved: 93

Estimated Review Completion Date: June 30, 2001

How stakeholders were involved in development of the review plan:

Comments and questions from the regulated industry and others were considered in establishing the order of rule review. The regulatory board responsible for the engineer and land surveyor program was also included in the drafting of the rule review plan.

The "draft plan" was distributed to technical and professional associations, universities, labor groups and persons on the program's mailing list for rule-adoption issues.

Stakeholders Involved:

Stakeholders included professional and technical associations, universities and colleges that offer course work in engineering and land surveying, labor groups and individuals who have requested to have their name included on the program's mailing list for rule-adoption processes. A total 129 copies of the "draft" rule review plan were distributed.

Summary of Responses:

Two responses were received from practicing professional engineers. Each of them offered suggested amendments to the order of rule review. One of the respondents also offered suggestions on broadening the scope of individuals and firms involved in the rule review process. It was

suggested that Washington Interactive Television be utilized in the rule review process.

Subject Area: Collection Agencies

WAC Chapter: 308-29

Number of Rules Involved: 8 WAC sections

Estimated Review Completion Date: July 1, 1999 - June 30, 2000

How Stakeholders Were Involved in Development of the Review Plan:

A cover letter and copy of the draft Rules Review Plan was sent to all potential stakeholders soliciting their comments. Stakeholders were given two weeks to respond.

Stakeholders Involved:

Collection Agency Board

Washington Collectors Association

Other Interested Parties

Summary of Responses:

Received one response from a collection agency owner who requested to be kept informed and included on the mailing list.

Subject Area: Debt Adjusters

WAC Chapter: 308-32

Number of Rules Involved: 9 WAC sections

Estimated Review Completion Date: July 1, 1997 - June 30, 1998

How Stakeholders Were Involved in Development of the Review Plan:

A cover letter and copy of the draft Rules Review Plan was sent to all potential stakeholders soliciting their comments. Stakeholders were given two weeks to respond.

Stakeholders Involved:

Credit Advisors Inc. SEA

Summary of Responses:

None received.

Subject Area: Employment Agencies

WAC Chapter: 308-33

Number of Rules Involved: 9 WAC sections

Estimated Review Completion Date: July 1, 1997 - June 30, 1998

How Stakeholders Were Involved in Development of the Review Plan:

A cover letter and copy of the draft Rules Review Plan was sent to all potential stakeholders soliciting their comments. Stakeholders were given two weeks to respond.

Stakeholders Involved:

Employment Agency Licensees

Other Interested Parties

Summary of Responses:

Received three responses from employment agency owners who requested to be kept informed and included on the mailing list. One owner also submitted suggested changes to WAC chapter 308-33-011.

Subject Area: Auctioneers

WAC Chapter: 308-11

Number of Rules Involved: 8 WAC Sections

Estimated Review Completion Date: July 1, 1997 - June 30, 1998

How Stakeholders Were Involved in Development of the Review Plan:

A cover letter and copy of the draft Rules Review Plan was sent to all potential stakeholders soliciting their comments. Stakeholders were given two weeks to respond.

Stakeholders Involved:

Washington Auctioneers Association

National Auctioneer License Law Officials Association

Other Interested Parties

Summary of Responses:

None received.

Subject Area: Notaries Public

WAC Chapter: 308-33

Number of Rules Involved: 17 WAC Sections

Estimated Review Completion Date: July 1, 1999 - June 30, 2000

How Stakeholders Were Involved in Development of the Review Plan:

A cover letter and copy of the draft Rules Review Plan was sent to all potential stakeholders soliciting their comments. Stakeholders were given two weeks to respond.

Stakeholders Involved:

The American Society of Notaries

Attorney and Notary Supply of WA, Inc.

LMI Office Supply

National Notary Association

Other Interested Parties

Summary of Responses:

None received.

Subject Area: Court Reporters

WAC Chapter: 308-14

Number of Rules Involved: 9 WAC Sections

Estimated Review Completion Date: July 1, 1999 - June 30, 2000

How Stakeholders Were Involved in Development of the Review Plan:

A cover letter and copy of the draft Rules Review Plan was sent to all potential stakeholders soliciting their comments. Stakeholders were given two weeks to respond.

Stakeholders Involved:

Certified Shorthand Reporter Association

Other Interested Parties

Summary of Responses:

None received.

Subject Area: Cosmetology

WAC Chapter: 308-20

Number of Rules Involved: 51 WAC Sections

Estimated Review Completion Date: July 1, 1998 - June 30, 1999

How Stakeholders Were Involved in Development of the Review Plan:

A cover letter and copy of the draft Rules Review Plan was sent to all potential stakeholders soliciting their comments, and was published in the Northwest Stylist, a trade newspaper. Stakeholders were given two weeks to respond.

Stakeholders Involved:

Washington State School Owner's Assoc.

Washington State Cosmetology Assoc.

Northwest Aesthetician Guild

MISC.

American Hair and Beauty Assoc.

Other Interested Parties

Summary of Responses:

Received requests to be placed on mailing list for notification of meetings; suggestions for rules to be reviewed; offers to publish meeting notices in association newsletters. Also received a suggested addition to the review criteria: Does the rule inhibit or enhance the fullest practice commonly accepted of the profession it governs?.

Subject Area: Time Shares

WAC Chapter: 308-127

Number of Rules Involved: 12 WAC Sections

Estimated Review Completion Date: July 1, 2000 - June 30, 2001

How Stakeholders Were Involved in Development of the Review Plan:

A cover letter and copy of the draft Rules Review Plan was sent to all potential stakeholders soliciting their comments. Stakeholders were given two weeks to respond.

Stakeholders Involved:

American Resort Development Assoc.

Other Interested Parties

Summary of Responses:

Suggestions for change to RCW, none for WAC changes or review plan.

Subject Area: Camping Resorts

WAC Chapter: 308-420

Number of Rules Involved: 24 WAC Sections

Estimated Review Completion Date: July 1, 2000 - June 30, 2001

How Stakeholders Were Involved in Development of the Review Plan:

A cover letter and copy of the draft Rules Review Plan was sent to all potential stakeholders soliciting their comments. Stakeholders were given two weeks to respond.

Stakeholders Involved:

Washington Membership Resort Assoc.

Other Interested Parties

Summary of Responses:

Suggestions for changes to RCW, none for rules review plan.

Subject Area: Sellers of Travel

WAC Chapter: 308-129

Number of Rules Involved: 25 WAC Sections

Estimated Review Completion Date: July 1, 2000 - June 30, 2001

How Stakeholders Were Involved in Development of the Review Plan:

A cover letter and copy of the draft Rules Review Plan was sent to all potential stakeholders soliciting their comments. Stakeholders were given two weeks to respond.

Stakeholders Involved:

Washington State Coalition of Travel

Other Interested Parties

Summary of Responses:

Received requests to be placed on mailing list for meeting notification; suggested changes to law and rules. Also suggested that perhaps the Better Business Bureau could assist in the review process and be used for reachout sessions to explain rules.

Subject Area: Funeral Directors

Rules Involved: WAC 308-48 through WAC 308-49

Estimated Review Completion Date: June 30, 1999

How stakeholders were involved in development of the review plan:

The Board of Funeral Directors and Embalmers has appointed a committee to work with staff in reviewing the rules. The Washington State Funeral Directors Association has been requested to identify two licensees to become a part of the board's committee. The board intends to review half the rules each year for two years.

Stakeholders Involved:

Funeral licensees

Board of Funeral Directors and Embalmers

Washington State Funeral Directors Association

Summary of Responses: No responses received as yet.

Subject Area: Cemeteries

Rules Involved: WAC 98-08 through 98-70

Estimated Review Completion Date: June 30, 1999

How stakeholders were involved in development of the review plan:

The board intends to review half the rules each year for two years and will form a committee of board members to work with staff to accomplish the review.

Stakeholders Involved:

Cemetery licensees

Cemetery Board

Washington Internment Association

Summary of Responses: No responses received as yet.

Subject Area: Real Estate Appraisers

Rules Involved: 25

Estimated Review Completion Date: June 30, 2000

How stakeholders were involved in development of the review plan:

In December of 1996 they reviewed all rules and amended those that required modification. The next scheduled meeting of the Real Estate Appraiser Advisory Committee is August 22, 1997 at which time they will preview the rule review plan.

Stakeholders Involved:

Real Estate Appraiser Advisory Committee

Summary of Responses:

N/A

Subject Area: Real Estate Brokers and Salespersons

Rules Involved: 79

Estimated Review Completion Date: July 1, 2001

How stakeholders were involved in development of the review plan:

Real Estate Program staff presented an overview of Governor Locke's Executive Order to the members of the Washington Real Estate Commission at their quarterly meeting on June 20, 1997. The criteria for evaluating significant rules was discussed, and the Commission asked the program staff to develop a "preliminary" rule review plan for their consideration. Individual Commission members were polled by telephone to solicit their comments on the rule review plan. The "preliminary" rule review plan was also distributed to

the following industry groups: approximately 200 real estate licensees and other interested parties on the Real Estate Commission Mailing List, members of the Washington Chapter of the Real Estate Educators Association, staff of the Washington Association of Realtors, and 60 Eastern Washington Brokers during a series of four focus group sessions.

Stakeholders Involved:

The six appointed members of the Washington Real Estate Commission, the Real Estate Commission Mailing List, members of the Real Estate Educators Association, staff of the Washington Association of Realtors, and 60 Washington Brokers who participated in a series of focus group sessions.

Summary of Responses:

The Commission agreed that the first priority should be the implementation of administrative rules necessary to accommodate the statutory changes in the Department request legislation passed by the 1997 Legislature.

The Commission concurred with the proposed annual review and evaluation by major rule topic area.

In addition, the Commission believes the comprehensive review of all current administrative rules will provide an opportunity to meaningfully address changing business practices and regulatory standards.

All remaining stakeholder groups supported the recommendations of the Commission.

Work Area: Master License Service

Rules Involved: 53 divided among 5 specific Subject Areas:

Specific Subject Area: Consolidated Licensing System (Master License Service Program)

Number of Rules Involved: 21

Estimated Review Completion Date: June 30, 1998

Specific Subject Area: Limousine Carrier Businesses

Number of Rules Involved: 8

Estimated Review Completion Date: June 30, 1999

Specific Subject Area: Commercial Telephone Solicitation

Number of Rules Involved: 9

Estimated Review Completion Date: June 30, 200

Specific Subject Area: Transportation of Passengers in For Hire Vehicles (Taxicabs)

Number of Rules Involved: 6

Estimated Review Completion Date: June 30, 2001

Specific Subject Area: Trade Name Registrations

Number of Rules Involved: 9

Estimated Review Completion Date: June 30, 2001

How stakeholders were involved in development of the review plan:

A list of representative stakeholder groups and individuals was created. The list included: representation of 9 various business related associations, individuals which had specifically requested to be notified of events of special interest, as well as a few business owners selected at large from the licensee database.

Those on the stakeholder list received a letter notifying them of the rule review activity required to be accomplished over

the next four years and contained the proposed plan to conduct the review. Recipients were asked in the letter to review the proposed plan and respond with suggestions for improving it; representatives of associations were also asked to share the plan with their constituents and solicit input from them as well.

A contact individual was named in the letter and various modes of response identified, including: mailing address; voice phone number (with voice mail); fax phone number; TDD phone number; and e-mail address.

Stakeholders Involved:

Representative for the following associations*:

- Small Business Improvement Council
- Washington State Nursery & Landscape Association
- Association of Washington Business
- Independent Business Association
- Washington Retail Association
- National Federation of Independent Business
- Limousine Association of Washington
- Evergreen State Taxi Association

Several private business owners selected at large, involved in:

- General retail business
- Limousine business
- Taxicabs
- Commercial Telephone Solicitation
- Whitewater Rafting

*Representatives of associations may also be private business owners themselves.

Summary of Responses:

Only one response was received [by telephone]. The individual is a business owner representing the limousine industry. He felt that it was a great idea to review the rules and that the plan looked good to him. He indicated that he would like to be involved in all the review phases not just that pertaining specifically to limousines. He feels that other subject areas affect him both generally as a business and specifically as a private citizen.

Recommendation received: Include all associations and each individual identified as a party of interest in each notification to the public. Then, augment a particular notification group with still others who may have a vested interest in a specific rule subject.

ADMINISTRATIVE SERVICES

Approach: Administrative Services has divided its administrative rules into three subject categories, identified stakeholders for each category, and invited stakeholder participation in developing a review plan.

Review Categories:

Subject Area: General Provisions

Rules Involved: 308-04-010, -020

Stakeholders Involved: County auditors, subagents, car dealer groups

Subject Area: Practice and Procedure

Rules Involved: 308-08-005, -006, -050, -060, -085, -180, -210, -230, -240, -260, -270, -280, -290, -300, -310, -320,

-330, -340, -350, -370, -380, -390, -400, -415, -416, -460, -505, -600, -610, -620, -630, -640, -650, -660.

Stakeholders Involved: Washington State Bar Association, Administrative Law Section

Subject Area: Public Records Disclosure

Rules Involved: 308-10-005, -010, -015, -020, -025, -030, -035, -040, -045, -050, -055, -060, -065, -067, -070.

Stakeholders Involved: Insurance agency agents, media

RULE REVIEW PLAN

DRIVER SERVICES

Approach: Driver Services has divided its administrative rules into eleven subject categories, identified stakeholders for each category, and invited stakeholder participation in the review process.

Method by Which the Division Will Determine the Rule Meets Review Criteria: The Driver Services Division, together with public participation, will review the rules to ensure overall compliance with the following criteria:

- Is the rule necessary?
- Is the rule effective and efficient?
- Is the rule easy to understand?
- Is the rule following the intent and legal authority of the law?
- Is the rule in coordination with other similar laws?
- Is the rule cost effective?
- Is the rule fair to all those required to comply?

Review of a rule will determine if the rule should remain, be amended, or be repealed.

Method of Public Participation and how Interested Parties May Participate in Review: The Driver Services Division will use various methods of public participation in the review of its rules. These methods may include public meetings, requests for written comments through stakeholder lists, and communications through press releases, Internet postings, and newsletters.

Interested parties may participate in the rule review process by submitting their name and correspondence address to the Division by mail, phone, facsimile transmission, or by e-mail.

Process for On-Going Review of Rules after Initial Four Year Review Period: The Division proposes to repeat the above process, using similar methods, every four years.

Subject Area: Driver License Requirements and Examination Process

WAC Chapter: 308-104

Number of Rules Involved: 7

Estimated Review Completion Date: 6/98

Subject Area: Driver License and Identification Application and Identification Process.

WAC Chapter: 308-104

Number of Rules Involved: 3

Estimated Review Completion Date: 6/99

Subject Area: Traffic Convictions and Driver License Suspension and Revocation

WAC Chapter: 308-104

Number of Rules Involved: 9

Estimated Review Completion Date: 6/98

Subject Area: Occupational Driver's Licenses.

WAC Chapter: 308-104

Number of Rules Involved: 2

Estimated Review Completion Date: 6/2000

Subject Area: Driving Records

WAC Chapter: 308-104

Number of Rules Involved: 6

Estimated Review Completion Date: 6/99

Subject Area: Hearings and Financial Responsibility Procedures

WAC Chapter: 308-104; 308-102

Number of Rules Involved: 22

Estimated Review Completion Date: 6/2001

Subject Area: Alcohol Treatment Requirements

WAC Chapter: 308-104

Number of Rules Involved: 1

Estimated Review Completion Date: 6/99

Subject Area: Commercial Driver's Licenses and Third-Party Testers

WAC Chapter: 308-100

Number of Rules Involved: 17

Estimated Review Completion Date: 6/2001

Subject Area: Motorcycle Endorsements.

WAC Chapter: 308-100

Number of Rules Involved: 1

Estimated Review Completion Date: 6/2000

Subject Area: Mandatory Automobile Liability Insurance

WAC Chapter: 308-106

Number of Rules Involved: 3

Estimated Review Completion Date: 6/2001

Subject Area: Driver Training Schools

WAC Chapter: 308-108

Number of Rules Involved: 1

Estimated Review Completion Date: 6/2000

Driver Services will review all its policy statements by June, 1999.

VEHICLE SERVICES

TITLE AND REGISTRATION SERVICES

Approach: Vehicle Services has divided its administrative rules into twenty two subject categories, identified stakeholders for each category, and invited stakeholders to participate in the review process.

Method by Which the Division Will Determine the Rule Meets Review Criteria: Vehicle Services, together with public participation, is reviewing the rules to ensure overall compliance with the following criteria:

- Is the rule necessary?

- Is the rule effective and efficient?
- Is the rule easy to understand?
- Is the rule following the intent and legal authority of the law?
- Is the rule in coordination with other similar laws?
- Is the rule cost effective?
- Is the rule fair to all those required to comply?

Review of a rule will determine if the rule should remain, be amended, or be repealed.

Method of Public Participation and how Interested Parties May Participate in Review: Vehicle Services uses various methods of public participation in the review of its rules. These methods include public meetings, requests for written comments through stakeholder lists, and communications through press releases, Internet postings, and newsletters.

Interested parties may participate in the rule review process by submitting their name and correspondence address to the Vehicle Services by mail, phone, facsimile transmission, or by e-mail.

Process for On-Going Review of Rules after Initial Four Year Review Period: Vehicle Services will repeat the above process, using similar methods, every four years.

Subject Area: Certificates of Title - Motor Vehicles, etc.
WAC Chapter: 308-56A
Number of Rules Involved: 81
Estimated Review Completion Date: Through 12-00 (each rule is scheduled in groups from 12-97 through 12-00)

Subject Area: Motor Vehicle Excise Tax
WAC Chapter: 308-57
Number of Rules Involved: 19
Estimated Review Completion Date: 05-00

Subject Area: Reporting Destroyed Vehicles
WAC Chapter: 308-58
Number of Rules Involved: 4
Estimated Review Completion Date: 12-99

Subject Area: Vessel Registration and Certificates of Title
WAC Chapter: 308-93
Number of Rules Involved: 81
Estimated Review Completion Date: Through 12-00 (each rule is scheduled in groups from 12-97 through 12-00)

Subject Area: Snowmobile and Off-Road and Nonhighway Vehicles
WAC Chapter: 308-94
Number of Rules Involved: 22
Estimated Review Completion Date: 9-99

Subject Area: Vehicle Licenses
WAC Chapter: 308-96A
Number of Rules Involved: 82
Estimated Review Completion Date: Through 12-00 (each rule is scheduled in groups from 12-97 through 12-00)

Subject Area: Model Traffic Ordinance
WAC Chapter: 308-330

Number of Rules Involved: 128
Estimated Review Completion Date: 12-00

DEALER/MANUFACTURER SERVICES

Subject Area: Unauthorized and Abandoned Vehicles
WAC Chapter: 308-61
Number of Rules Involved: 12
Estimated Review Completion Date: 04-00

Subject Area: Wreckers
WAC Chapter: 308-63
Number of Rules Involved: 16
Estimated Review Completion Date: 7-98

Subject Area: Hulk Haulers/Scrap Processors
WAC Chapter: 308-65
Number of Rules Involved: 19
Estimated Review Completion Date: 12-98

Subject Area: Motor Vehicle Dealers and Manufacturers
WAC Chapter: 308-66
Number of Rules Involved: 29
Estimated Review Completion Date: 12-97

Subject Area: Vehicle Dealer Manufacturer Franchise Disputes
WAC Chapter: 308-67
Number of Rules Involved: 1
Estimated Review Completion Date: 7-98

Subject Area: Transporters
WAC Chapter: 308-80
Number of Rules Involved: 17
Estimated Review Completion Date: 10-99

Subject Area: Vessel Dealer Registration
WAC Chapter: 308-90
Number of Rules Involved: 13
Estimated Review Completion Date: 07-00

PRORATE/FUEL TAX SERVICES

Subject Area: Motor Vehicle Fuel Tax
WAC Chapter: 308-72
Number of Rules Involved: 29
Estimated Review Completion Date: Through 12-00

Subject Area: Motor Vehicle Fuel Importer Use Tax
WAC Chapter: 308-76
Number of Rules Involved: 8
Estimated Review Completion Date: WAC is being repealed via expedited repeal process.

Subject Area: Special Fuel Tax Rules and Regulations
WAC Chapter: 308-77
Number of Rules Involved: 35
Estimated Review Completion Date: Through 09-00

Subject Area: Aircraft Fuel Tax
WAC Chapter: 308-78
Number of Rules Involved: 10
Estimated Review Completion Date: Through 12-99

Subject Area: Rental Car Taxation and Licensing
WAC Chapter: 308-88
Number of Rules Involved: 17
Estimated Review Completion Date: 12-99

Subject Area: Reciprocity and Proration
WAC Chapter: 308-91
Number of Rules Involved: 13
Estimated Review Completion Date: 12-98

Subject Area: Vehicle License Interstate and Intransit Permits
WAC Chapter: 308-97
Number of Rules Involved: 7
Estimated Review Completion Date: 12-98

Subject Area: Vehicle Reciprocity
WAC Chapter: 308-99
Number of Rules Involved: 7
Estimated Review Completion Date: 12-98

BUSINESS AND PROFESSIONS DIVISION

Approach: Business and Professions Division proposes to divide its administrative rules into twenty three subject categories, identify stakeholders for each category, and invite stakeholder participation in the review process.

Method by Which the Division Will Determine the Rule Meets Review Criteria: The Business and Professions Division, together with public participation, will review the rules to ensure overall compliance with the following criteria:

- Is the rule necessary?
- Is the rule effective and efficient?
- Is the rule easy to understand?
- Is the rule following the intent and legal authority of the law?
- Is the rule in coordination with other similar laws?
- Is the rule cost effective?
- Is the rule fair to all those required to comply?

Review of a rule will determine if the rule should remain, be amended, or be repealed.

Process for On-Going Review of Rules after Initial Four Year Review Period: The Division proposes to repeat the above process, using similar methods, every four years.

Subject Area: Real Estate Brokers and Salespersons
WAC: Chapter 308-124
Number of Rules Involved: 79 WAC sections
Estimated Review Completion Date:

- July 1, 1997 - June 30, 1998
- Rules pertaining to application of brief adjudicative proceedings (WAC 308-124).
 - Rules pertaining to licensing Limited Liability Companies and Limited Liability Partnerships. (WAC 308-124, 124A, 124C and 124D)
 - Rules pertaining to operational requirements for a real estate office (WAC 308-124B)

- July 1, 1998 - June 30, 1999
- Miscellaneous real estate rules such as prohibited discriminatory acts (WAC 308-124F).
 - Rules pertaining to required records and related licensee responsibilities (WAC 308-124C).
 - Rules pertaining to required operational procedures (WAC 308-124D).

- July 1, 1999 - June 30, 2000
- Rules pertaining to required trust accounting procedures (WAC 308-124E)

- July 1, 2000 - June 30, 2001
- Rules pertaining to real estate course, school and instructor approval — Education of real estate brokers and salespersons (WAC 308-124H)
 - Rules pertaining to examination and licensing requirements for real estate brokers and salespersons (WAC 308-124A)

Method of Public Participation and how Interested Parties May Participate in Review: The program will use various methods of public participation in the review of WAC 308-124. These methods will include focus groups, requests for written comments through stakeholder and association lists and communication through the Real Estate Commission's newsletter and website. Rules review will also be conducted at regular meetings of the Real Estate Commission and special meetings of the Commission's standing committees in accordance with their published agendas.

Interested parties may participate in the rules review process by submitting their name and correspondence address to the program by mail, phone or facsimile. Please submit your name, address and phone number to the program as listed below. **Also include the title of the WAC that is of interest to you.**

Washington Real Estate Commission
P.O. Box 9015
Olympia, Washington 98507
Phone: (360)586-6101
FAX: (360)586-0998

Website: <http://www.wa.gov/dol/bpd/refront.htm>

Subject Area: Real Estate Appraisers
WAC Chapter: 308-125
Number of Rules Involved: 25
Estimated Review Completion Date:

- July 1, 1999 - June 30, 2000
- Rules pertaining to application, prerequisites, educational courses, alternative to classroom hours, education/experience credit for teachers, experience requirements, allowed experience credits, application for certification, temporary practice, application-certification-licensure-and-reexamination, passing exam score, examination procedures, exceptions to 18.140 RCW, reciprocity and examination required, and scope.
- July 1, 2000 - June 30, 2001
- Rules pertaining to definitions, continuing education requirements, course approval requirements, address change, fees and charges, standards of

practice, required records, accessibility of records to DOL, and meetings notice.

Method of Public Participation and how Interested Parties May Participate in Review: The program will use various methods of public participation in the review of Chapter 308-125 WAC. These methods will include requests for written comments through stakeholder and association lists and communication disseminated through rules development notices to all licensees and the appraiser program website.

Rules which are procedural in nature and therefore not impacting the public or regulated community will be reviewed by staff, committee members and legal council. Public participation will not necessarily be sought in the review of these rules. Procedural rules are WAC 308-125-190 & WAC 308-125-225.

Interested parties may participate in the rule review process by submitting their name, address and telephone number to the program by mail, phone or facsimile:

Real Estate Appraiser Section

PO Box 9015

Olympia, WA 98507-9015

Phone: (360) 753-1062

FAX: (360) 586-0998

Website address:

<http://www.wa.gov/dol/bpd/appfront.htm>

Potential Stakeholders:

State Licensed Real Estate Appraisers
 Certified Residential Real Estate Appraisers
 Certified General Real Estate Appraisers
 American Society of Appraisers
 American Society of Farm Managers and Rural Appraisers
 Appraisal Institute
 Appraiser Coalition of Washington
 Appraiser Education providers
 International Association of Assessing Officers
 International Right of Way Association
 National Association of Independent Fee Appraisers

Subject Area: Funeral Directors

WAC Chapter: 308-48 through 308-49

Number of Rules Involved: 53

Estimated Review Completion Date: 1999

Method of Public Participation and how Interested Parties May Participate in Review:

The Board of Funeral Directors and Embalmers has appointed a committee to work with staff in reviewing the rules. The board intends to review half the rules each year for two years. The Washington State Funeral Directors Association has been requested to identify two licensees to become a part of the board's rules review committee. The licensees will be notified by mail of the review process, the rules being reviewed each year, and will be provided a copy of the rule review criteria which they can duplicate and complete for any rule they wish to comment on.

Potential Stakeholders:

Funeral licensees
 Board of Funeral Directors and Embalmers
 Washington State Funeral Directors Association

Subject Area: Cemeteries

WAC Chapter: 98-08 through 98-70

Number of Rules Involved: 73

Estimated Review Completion Date: 1999

Method of Public Participation and how Interested Parties May Participate in Review:

The board intends to review half the rules each year for two years. The board will form a committee of board members to work with staff to accomplish the review. The board will continue through its rules committee to review the rules and eliminate or make amendments as needed. The licensees will be notified by mail of the review process, the rules being reviewed each year, and will be provided a copy of the rule review criteria which they can duplicate and complete for any rule they wish to comment on.

Potential Stakeholders:

Cemetery Licensees
 Cemetery Board
 Washington Interment Association

Subject Area: Architects

WAC Chapter: 308-12

Number of Rules Involved: 21

Estimated Review Completion Date: 2001

Method of Public Participation and how Interested Parties May Participate in Review:

The board will contact and communicate to stakeholders the rules being reviewed and request comments and suggestions. The AIA chapters will be requested to publish rule review/making meeting notices in newsletters and make announcements at association meetings and gatherings. The rules will also be published in agendas for the Architect Board meetings which are open to the public.

Stakeholders will be encouraged to comment on rules as they are scheduled for review.

Potential Stakeholders:

- American Institute of Architects (AIA) Seattle Chapter
- AIA Vancouver Chapter
- AIA Southwest Chapter
- AIA Central Washington Chapter
- National Council of Architect Registration Boards
- Washington Association of Building Officials
- Washington Association of Building Designers

Subject Area: Landscape Architects

WAC Chapter: 308-13

Number of Rules Involved: 16

Estimated Review Completion Date: 10/97

Method of public participation and how interested parties may participate in review:

The board will contact and communicate to stakeholders the rules being reviewed and request comments and suggestions. The ASLA chapter will be requested to publish rule review/making meeting notices in newsletters and make announcements at association meetings and gatherings. The rules will also be published in agendas for the Landscape Architect Board meetings which are open to the public.

Stakeholders will be encouraged to comment on rules as they are scheduled for review.

Potential Stakeholders:

- Council of Landscape Architect Registration Boards
- Washington Chapter American Society of Landscape Architects

Subject Area: Uniform Commercial Code

WAC Chapter: 308-400

Number of Rules Involved: 19

Estimated Review Completion Date: Rules are procedural rather than significant and are not subject to this review process. Rules will be reviewed periodically by agency study.

Subject Area: Engineers & Land Surveyors

WAC Chapter: Title 196

Number of Rules Involved: 93 WAC Sections

Estimated Review Completion Date:

July 1, 1997 - June 30, 1998

- Rules pertaining to licensure of professional engineers and business entities (WAC 196-12 and portions of WAC 196-24).
- Procedures related to appearance before the Board, depositions, rules of evidence, subpoenas and petitions (WAC 196-08).
- Fees and Charges (WAC 196-26).

July 1, 1998 - June 30, 1999

- Rules pertaining to retired status, temporary permits, offer to practice, seal and stamp usage and survey standards (portions of WAC 196-24).
- Rules of Professional Conduct (WAC 196-27)

July 1, 1999 - June 30, 2000

- Board's organization and jurisdiction (WAC 196-04).
- Rules related to certification as an engineer-in-training (WAC 196-20).

July 1, 2000 - June 30, 2001

- Rules related to certification as a land surveyor-in-training (WAC 196-21)
- Rules related to licensure as a professional land surveyor (WAC 196-16).

Method of Public Participation and how Interested Parties May Participate in Review: The program will use various methods of public participation in the review of WAC 196. These methods will include focus groups, requests for written comments through stakeholder and association lists and communication through the Board's News Bulletin. Rule review may also be conducted at regular meetings of the Board of Registration for Professional Engineers and Land Surveyors in accordance with their published agenda.

Rules which are procedural in nature and therefore not impacting the public or regulated community will be reviewed with the Board and legal council. Public participation will not necessarily be sought in the review of these rules. Examples of such procedural rules are WAC 196-04 and WAC 196-08.

Interested parties may participate in the rule review process by submitting their name and correspondence address to the program by mail, phone or facsimile. Please submit your name, address and phone number to the program as listed below. **Also include the title of the WAC that is of interest to you.**

Engineers and Land Surveyors Board

P.O. Box 9649

Olympia, Washington 98507-9649

Phone: (360) 753-3634

FAX: (360) 664-2551

Subject Area: Master License Service

WAC Chapter: 308-87, 89, 300, 320

Number of Rules Involved: 53

Estimated Review Completion Date:

June 30, 1998

- Rules pertaining to the consolidated licensing system (WAC 308-300-010 through 308-300-320)

June 30, 1999

- Rules pertaining to Limousine Carrier Business (WAC 308-87-010 thru 080)

June 30, 2000

- Rules pertaining to Commercial Telephone Solicitation (WAC 300-320-010 through 308-320-090)

June 30, 2001

- Rules pertaining to the transportation of passenger in for hire vehicles (taxicabs) WAC 308-89-010 through 308-89-60

June 30, 2001

- Rules pertaining to trade name registrations (WAC 308-300-210 through 308-300-290)

Method of Public Participation and how Interested Parties May Participate in Review: Notifications soliciting comment and/or alerting to public meetings will be sent to associations representative of the businesses covered by the subject rules. The list of recipients will include individuals who have at some time indicated interest in being included in such activities, as well as other representative of subject businesses, selected at large from the licensee database. Representatives of associations will be asked to distribute the notice among their constituents.

Recipients will be able to provide comments at any appropriate point in the review either by mail, phone, fax, TDD, or e-mail. At least one public meeting will be scheduled for each review subject. Subsequent public meetings will be scheduled depending on interest and degree of work involved for a specific subject in review.

Rule amendments and/or repeals identified during the review and public comment process will be scheduled for actual rule making activity, which will include at least one official public hearing (preliminary public work shop(s) may be scheduled prior to the hearing if appropriate or necessary).

Potential Stakeholders

Small Business Improvement Council

Washington State Nursery & Landscape Association

Association of Washington Business

Independent Business Association

Washington Retail Association

National Federation of Independent Business
Limousine Association of Washington
Evergreen State Taxi Association

Subject Area: Security Guards - Private Investigators
WAC Chapter: 308-17 through 308-18
Number of Rules Involved: 46

Estimated Review Completion Date: July 1999

Method of Public Participation and how Interested Parties May Participate in Review: The Department will direct mail to stakeholders the rules being reviewed and request written comments and suggestions. The rules will be presented at the program Ad-Hoc committee meetings for review and development of amendments and/or repeals as deemed necessary. Information will be sent to the PNAI news letter publication, and the Security Guard Council news letter publication. In addition, the public will find information regarding this process on the Department of Licensing, Business and Professions Division Internet site on the program front page.

Interested parties may call or write the Department to request that they be included on our mailing list. Please include your area code and phone number. The address is: Department of Licensing, PO Box 9045, Olympia, WA 98506. Telephone: 360-586-4567 - FAX number: 360-753-3747.

Potential Stakeholders:

Security Guard Ad-Hoc Committee
Private Investigator Ad-Hoc Committee
Licensed SG's
Licensed PI's
WA state Security Guard Council
PNAI

Subject Area: Professional Athletes
WAC Chapter: 36-12

Number of Rules Involved: 59

Estimated Review Completion Date: August 1998

Method of Public Participation and how Interested Parties May Participate in Review: The Department will direct mail to stakeholders the rules being reviewed and request written comments and suggestions. The rules will be presented at the program Ad-Hoc committee meetings for review and development of amendments and/or repeals as deemed necessary. In addition, the public will find information regarding this process on the Department's Business and Professions Division Internet site on the program front page.

Interested parties should call or write the Department to request their name or association be included on our mailing list. Please include your area code and phone number. The address is: Department of Licensing, PO BOX 9045, Olympia, WA 98506. Telephone: 360-586-4567 - FAX number: 360-753-3747.

Potential Stakeholders:

Boxing Advisory Committee
Officials
Promoters
Professional Athletes

Subject Area: Athlete Agents
WAC: 308-21

Number Of Rules Involved: 7

Estimated Completion Date: October 1998

Method Of Public Participation: The Department will direct mail to stakeholders the rules being reviewed and request written comments and suggestions. In addition, the public will find information regarding this process on the Department of Licensing, Business and Professions Division Internet site on the program front page.

How Interested Parties May Participate In Review: Call or write to the Department of Licensing to request your name or association be included on our mailing list. Please include your area code and phone number. The address is: Department of Licensing - PO Box 9045 - Olympia, WA 98506. Telephone: (360) 586-4567 - FAX number: (360) 753-3747.

Potential Stakeholders:

Professional Athlete Agents

Subject Area: Auctioneers

WAC Chapter: 308-11

Number of Rules Involved: 8

Estimated Review Completion Date:

July 1, 1997 - June 30, 1998

- All rules pertaining to the Auctioneer Act.

Method of Public Participation and how Interested Parties May Participate in Review: The program will directly contact and communicate with stakeholders the rules being reviewed and request written comments and suggestions. The associations will be solicited to carry rule review/making meeting notices in newsletters and make announcements at association meetings and gatherings. Random mailings will be sent to licensees asking for input. The rules will also be presented at the program open public meeting(s).

Interested parties may participate in the rule review process by submitting their name and correspondence address to the program by mail, phone or facsimile. Please submit your name, address and phone number to the program as listed below. Also include the title of the WAC that is of interest to you.

Department of Licensing
Auctioneer Section
Post Office Box 9649
Olympia, WA 98507-9649
Phone: (360) 753-1061
FAX: (360) 664-2550

Potential Stakeholders:

Washington Auctioneers Association
National Auctioneer License Law Officials Association Other
Interested Parties

Subject Area: Notaries Public

WAC Chapter: 308-33

Number of Rules Involved: 17

Estimated Review Completion Date:

July 1, 1999 - June 30, 2000

- All rules pertaining to Notaries Public.

Method of Public Participation and how Interested Parties May Participate in Review: The program will directly contact and communicate with stakeholders the rules being reviewed and request written comments and suggestions. The associations will be solicited to carry rule review/making meeting notices in newsletters and make announcements as association meetings and gatherings. Random mailings will be sent to licensees asking for input. The rules will also be presented at the program open public meeting(s).

Interested parties may participate in the rule review process by submitting their name and correspondence address to the program by mail, phone or facsimile. Please submit your name, address and phone number to the program as listed below. Also include the title of the WAC that is of interest to you.

Department of Licensing
Notaries Public Section
Post Office Box 9027
Olympia, WA 98507-9027
Phone: (360) 753-1061
FAX: (360) 664-2550

Potential Stakeholders:

The American Society of Notaries
Attorney and Notary Supply of Washington, Inc.
LMI Office Supply
National Notary Association
Other Interested Parties

Subject Area: Court Reporters

WAC Chapter: 308-14

Number of Rules Involved: 9

Estimated Review Completion Date:

July 1, 1999 - June 30, 2000

- All rules pertaining to the Court Report Act.

Method of Public Participation and how Interested Parties May Participate in Review: The program will directly contact and communicate with stakeholders the rules being reviewed and request written comments and suggestions. The associations will be solicited to carry rule review/making meeting notices in newsletters and make announcements at association meetings and gatherings. Random mailing will be sent to licensees asking for input. The rules will also be presented at the program open public meeting(s).

Interested parties may participate in the rule review process by submitting their name and correspondence address to the program by mail, phone or facsimile. Please submit your name, address and phone number to the program as listed below. Also include the title of the WAC that is of interest to you.

Department of Licensing
Court Report Section
Post Office Box 9649
Olympia, WA 98507-9649
Phone: (360) 753-1061
FAX: (360) 664-2550

Potential Stakeholders:

Certified Shorthand Reporter Association

Other Interested Parties

Subject Area: Cosmetology

WAC Chapter: 308-20

Number of Rules Involved: 51

Estimated Review Completion Date:

July 1, 1998 - June 30, 1999

- All rules pertaining to the Cosmetology, Barbering, Manicuring and Esthetics Act.

Method of Public Participation and how Interested Parties May Participate in Review: The program will directly contact and communicate with stakeholders the rules being reviewed and request written comments and suggestions. The associations will be solicited to carry rule review/making meeting notices in newsletters and make announcements at association meetings and gatherings. The Northwest Stylist will also be solicited to carry rule review/making meeting notices in their publication. The rules will also be presented at the Cosmetology, Barbering, Manicuring, and Esthetics Advisory Board meeting(s) open to the public.

Interested parties may participate in the rule review process by submitting their name and correspondence address to the program by mail, phone or facsimile. Please submit your name, address and phone number to the program as listed below. Also include the title of the WAC that is of interest to you.

Department of Licensing
Cosmetology Section
Post Office Box 9026
Olympia, WA 98507-9026
Phone: (360) 586-4575
FAX: (360) 664-2550

Potential Stakeholders:

Washington State School Owner's Association
Washington State Cosmetology Association
Northwest Aesthetician Guild
American Hair and Beauty Association
Other Interested Parties

Subject Area: Time Shares

WAC Chapter: 308-127

Number of Rules Involved: 12

Estimated Review Completion Date:

July 1, 2000 - June 30, 2001

- All rules pertaining to the Time Share Act.

Method of Public Participation and how Interested Parties May Participate in Review: The program will directly contact and communicate with stakeholders the rules being reviewed and request written comments and suggestions. The associations will be solicited to carry rule review/making meeting notices in newsletters and make announcements as association meetings and gatherings. Random mailings will be sent to licensees asking for input. The rules will also be presented at the program open public meeting(s).

Interested parties may participate in the rule review process by submitting their name and correspondence address to the

program by mail, phone or facsimile. Please submit your name, address and phone number to the program as listed below. Also include the title of the WAC that is of interest to you.

Department of Licensing
Time Shares Section
Post Office Box 9649
Olympia, WA 98507-9649
Phone: (360) 586-4575
FAX: (360) 664-2550

Potential Stakeholders:

American Resort Development Association
Other Interested Parties

Subject Area: Camping Resorts
WAC Chapter: 308-420
Number of Rules Involved: 24
Estimated Review Completion Date:

July 1, 2000 - June 30, 2001

- All rules pertaining to the Camping Resort Act.

Method of Public Participation and how Interested Parties May Participate in Review: The program will directly contact and communicate with stakeholders the rules being reviewed and request written comments and suggestions. The associations will be solicited to carry the rule review/making meeting notices in newsletters and make announcements as association meetings and gatherings. Random mailing will be sent to licensees asking for input. The rules will also be presented at the program open public meeting(s).

Interested parties may participate in the rule review process by submitting their name and correspondence address to the program by mail, phone or facsimile. Please submit your name, address and phone number to the program as listed below. Also include the title of the WAC that is of interest to you.

Department of Licensing
Camping Resorts Section
Post Office Box 9649
Olympia, WA 98507-9649

Potential Stakeholders:

Washington Membership Resort Association
Other Interested Parties

Subject Area: Sellers of Travel
WAC Chapter: 308-129
Number of Rules Involved: 25
Estimated Review Completion Date:

July 1, 2000 - June 30, 2001

- All rules pertaining to the Sellers of Travel Act.

Method of Public Participation and how Interested Parties May Participate in Review: The program will directly contact and communicate with stakeholders the rules being reviewed and request written comments and suggestions. The associations will be solicited to carry rule review/making meeting notices in newsletters and make announcements at association meetings and gatherings.

Random mailings will be sent to licensees asking for input. The rules will also be presented at the program open public meeting(s).

Interested parties may participate in the rule review process by submitting their name and correspondence address to the program by mail, phone or facsimile. Please submit your name, address and phone number to the program as listed below. Also include the title of the WAC that is of interest to you.

Department of Licensing
Sellers of Travel Section
Post Office Box 9649
Olympia, WA 98507-9649
Phone: (360) 586-4575
FAX: (360) 664-2550

Potential Stakeholders:

Washington State Coalition of Travel
Other Interested Parties

Subject Area: Bail Bond Agencies
WAC Chapter: 308-19
Number of Rules Involved: 16
Estimated Review Completion Date: May 1999

Method of Public Participation and how Interested Parties May Participate in Review: The Department will direct mail to stakeholders the rules being reviewed and request written comments and suggestions. The rules will be presented at the program Ad-Hoc committee meetings for review and development of amendments and/or repeals as deemed necessary. In addition, the public will find information regarding this process on the Department of Licensing, Business and Professions Division Internet site on the program front page.

Interested parties may call or write to the Department to request their name or association be included on our mailing list. Please include your area code and phone number. The address is: Department of Licensing, PO Box 9045, Olympia, WA 98506. Telephone: 360-586-4567 - FAX number: 360-753-3747.

Potential Stakeholders:

Washington State Bail Bond Agents Association
Court Clerks

Subject Area: Collection Agencies
WAC Chapter: 308-29
Number of Rules Involved: 8
Estimated Review Completion Date: June 2000
Method of Public Participation and how Interested Parties May Participate in Review: The program will directly contact and communicate with stakeholders the rules being reviewed and request written comments and suggestions. The associations will be solicited to carry rule review/making meeting notices in newsletters and make announcements at association meetings and gatherings. The rules will also be presented at Collection Agency Board meeting(s) open to the public.

Interested parties may call or write to the Department of Licensing to request their name or association be included on the mailing list. Please include your area code and telephone

number. The address is: Department of Licensing, Business and Professions Division, Business and Occupations Unit, Post Office Box 9649, Olympia, Washington 98507-9649. Telephone number: (360) 664-3439. FAX number: (360) 664-2550.

Potential Stakeholders:

Washington Collectors Assn.
Collection Agency Board
Other Interested Parties

Subject Area: Debt Adjusters

WAC Chapter: 308-32

Number of Rules Involved: 9

Estimated Review Completion Date: June 1998

Method of Public Participation and how Interested Parties May Participate in Review: The program will directly contact and communicate with stakeholders the rules being reviewed and request written comments and suggestions. The associations will be solicited to carry rule review/making meeting notices in newsletters and make announcements at association meetings and gatherings. Random mailings will be sent to licensees asking for input. The rules will also be presented at the program open public meeting(s).

Interested parties may call or write to the Department of Licensing to request their name or association be included on the mailing list. Please include your area code and telephone number. The address is: Department of Licensing, Business and Professions Division, Business and Occupations Unit, Post Office Box 9649, Olympia, Washington 98507-9649. Telephone number: (360) 664-3439. FAX number: (360) 664-2550.

Potential Stakeholders:

Credit Advisors Inc.
SEA

Subject Area: Employment Agencies

WAC Chapter: 308-33

Number of Rules Involved: 9

Estimated Review Completion Date: June 1998

Method of Public Participation and how Interested Parties May Participate in Review: The program will directly contact and communicate with stakeholders the rules being reviewed and request written comments and suggestions. The associations will be solicited to carry rule review/making meeting notices in newsletters and make announcements at association meetings and gatherings. Random mailings will be sent to licensees asking for input. The rules will also be presented at the program open public meeting(s).

Interested parties may call or write to the Department of Licensing to request their name or association be included on the mailing list. Please include your area code and telephone number. The address is: Department of Licensing, Business and Professions Division, Business and Occupations Unit, Post Office Box 9649, Olympia, Washington 98507-9649. Telephone number: (360) 664-3439. FAX number: (360) 664-2550.

Potential Stakeholders:

Employment Agencies
Other interested parties

ADMINISTRATIVE SERVICES

Approach: Administrative Services has divided its administrative rules into three subject categories, identified stakeholders for each category, and will invite stakeholder participation in the review process.

Method by Which the Division Will Determine the Rule Meets Review Criteria: The Administrative Services Division, together with public participation, will review the rules to ensure overall compliance with the following criteria:

- Is the rule necessary?
- Is the rule effective and efficient?
- Is the rule easy to understand?
- Is the rule following the intent and legal authority of the law?
- Is the rule in coordination with other similar laws?
- Is the rule cost effective?
- Is the rule fair to all those required to comply?

Review of a rule will determine if the rule should remain, be amended, or be repealed.

Method of Public Participation and how Interested Parties May Participate in Review: The Administrative Services Division will use various methods of public participation in the review of its rules. These methods may include public meetings, requests for written comments through stakeholder lists, and communications through press releases, Internet postings, and newsletters.

Interested parties may participate in the rule review process by submitting their name and correspondence address to the Division by mail, phone, facsimile transmission, or by e-mail.

Process for On-Going Review of Rules after Initial Four Year Review Period: The Division will repeat the above process, using similar methods, every four years.

Subject Area: General Provisions

WAC Chapter: 308-04

Number of Rules Involved: 2

Estimated Review Completion Date: June, 1998

Subject Area: Practice and Procedure

WAC Chapter: 308-08

Number of Rules Involved: 34

Estimated Review Completion Date: June, 1999

Subject Area: Public Records Disclosure

WAC Chapter: 308-10

Number of Rules Involved: 15

Estimated Review Completion Date: June, 2000

Administrative Policies identified for review to determine if they should be rules:

ADM.5C - Dishonored Checks

ADM.7C - Public Disclosure

ADM.21B - Revenue Over the Counter
 ADM.33B - Refund Processing
 PER.22A - Summer Employment
 PER.23B - Office Hours
 PER.25B - EEO
 PER.29A - Employee Selection and Hiring

Reviser's note: The spelling errors in the above material occurred in the copy filed by the agency and appear in the Register pursuant to the requirements of RCW 34.08.040.

Reviser's note: The typographical errors in the above material occurred in the copy filed by the agency and appear in the Register pursuant to the requirements of RCW 34.08.040.

Reviser's note: The brackets and enclosed material in the text above occurred in the copy filed by the agency and appear in the Register pursuant to the requirements of RCW 34.08.040.

WSR 97-18-066
NOTICE OF PUBLIC MEETINGS
BELLINGHAM TECHNICAL COLLEGE
 [Memorandum—September 2, 1997]

The regular meeting of the board of trustees of Bellingham Technical College scheduled for September 18, 1997, has been canceled and rescheduled for Thursday, September 11, 1997, 9-11 a.m., in the College Services Building Board Room on the Bellingham Technical College campus. Call 738-3105 extension 334 for information.

WSR 97-18-076
RULES REVIEW PLAN
PUBLIC EMPLOYMENT
RELATIONS COMMISSION
 [Filed September 3, 1997, 10:20 a.m.]

Reviser's note: The following Rules Review Plan has been electronically generated directly from the agency and has not been through the usual editing and proofing processes.

August 26, 1997

RULES REVIEW PLAN
 of the
PUBLIC EMPLOYMENT RELATIONS COMMISSION

On March 25, 1997, Governor Gary Locke issued Executive Order (EO) 97-02, titled "Regulatory Improvement". The Governor has established as one of the top priorities of his administration "to improve the effectiveness and fairness of our regulatory processes." EO 97-02 explains one of its purposes as follows:

To ensure that state regulations that have significant impact on labor, consumers, businesses, and the environment are reviewed on an open and systematic basis and to ensure that they meet standards of need, reasonableness, effectiveness, clarity, fairness, stakeholder involvement, coordination among regulatory agencies, and consistency with legislative intent and statutory authority.

The Executive Director of the Public Employment Relations Commission (PERC) designated staff member Mark S. Downing (753-2955) as the agency's contact person for regulatory review.

EXISTING PERC RULES

Over its 21+ years in existence, PERC has adopted several chapters of rules that are primarily "procedural" in nature. The following seven chapters in the Washington Administrative Code (WAC) are currently in effect:

Chapter 391-08 WAC RULES OF PRACTICE AND PROCEDURE
 Chapter 391-25 WAC REPRESENTATION CASE RULES
 Chapter 391-35 WAC UNIT CLARIFICATION CASE RULES
 Chapter 391-45 WAC UNFAIR LABOR PRACTICE CASE RULES
 Chapter 391-55 WAC IMPASSE RESOLUTION RULES
 Chapter 391-65 WAC GRIEVANCE ARBITRATION RULES
 Chapter 391-95 WAC UNION SECURITY DISPUTE RULES

Adjudicative proceedings conducted by PERC under the Administrative Procedure Act (APA) are also subject to the Model Rules of Procedure, Chapter 10-08 WAC, adopted by the chief administrative law judge of the State of Washington.

STAKEHOLDER INCLUSION IN PLAN DEVELOPMENT

A letter containing a draft of this Rules Review Plan was sent to approximately 100 union and employer representatives that utilize the services of the Commission (i.e., "major stakeholders" referred to in EO 97-02), seeking their input and comments regarding the rules review plan. The requirement of EO 97-02 for agencies to submit their rules review plans to the Governor by September 1, 1997 was explained, and responses (by letter or fax) were requested by August 25, 1997. Written comments were received from the following individuals:

Gary A. Carlsen, representing Spokane County
 Faith Hanna, representing the Washington Education Association
 Lawrence B. Hannah, Perkins Coie law firm, representing employers
 Jim Meith, representing the City of Bremerton
 David Fleming, representing Public School Employees of Washington
 Robert R. Braun, Jr., representing employers

A telephonic communication was also received from J. Pat Thompson, representing the Washington State Council of County and City Employees.

RULES REVIEW PLAN ELEMENTS

a. **Time Schedule**

PERC's rules will be reviewed in sub-groups over a four-year cycle, as follows:

Chapter 391-08 WAC in 1998
 Chapters 391-55 and 391-65 WAC in 1999
 Chapters 391-45 and 391-95 WAC in 2000
 Chapters 391-25 and 391-35 WAC in 2001

Although there was some sympathy for reviewing all PERC rules as a single project, there are also substantial concerns about a single-project schedule, as follows:

- EO 97-02 calls for a new culture in which agency rules are to be reviewed on an ongoing basis, rather than when the agency gets around to the task.
- PERC reviewed all of its rules and made extensive revisions in 1996. PERC's only previous comprehensive rules review was in 1980. Each of those projects was a massive effort that distracted attention and resources from ongoing dispute resolution responsibilities. The same could be expected for any future single-project review.
- A massive project tends to discourage participation by clientele segments which are only interested in certain aspects of PERC's rules.
- Concerns about inter-relationships between WAC chapters can be addressed by making all related amendments when a new concept is adopted in any chapter.
- A "little bit of rules review each year" process is more in keeping with the new culture than a "review all at once and then forget about it for 4 years" approach.

b. Review Methodology

In the autumn of each year, the PERC staff will review the WAC chapter(s) under scrutiny that year for conformance with the review criteria of EO 97-02, and will transmit a report of problem areas and recommendations to the Commission.

The Commission will submit its findings and suggested rule changes to the agency's major stakeholders by February, and invite comment. (Although all rules in the chapter(s) under scrutiny will be open to review and comment, it is anticipated that only those rules which have been controversial will be the subject of actual comment and further study after this point in the annual process.)

Any rules changes being recommended for adoption will be explained at conferences and similar forums (e.g., at the annual IRRA/FMCS/PERC conference held in Seattle each March, and other conferences, as appropriate).

c. Public Participation in Review Process

Agency clientele will be encouraged to participate in the various stages of the review process established under b., above. Additional proposals and comments will be solicited from clientele.

d. Resources Required to Amend Rules

Proposed rule changes will be the subject of public rule adoption hearings, as required by the APA. PERC will undertake its rule review plan and meet APA requirements within the constraints of its existing budget(s).

e. Exceptions to Review Requirements

PERC is unaware of any instances where it will require an exception to the regulatory review requirements.

f. On-going Review Process

After completion of the initial four-year rules review process, the foregoing rule review schedule could be repeated in similar four-year cycles (subject to input from major stakeholders about the effectiveness of such a process).

Agency Name	WAC Chapters or Document	Section numbers or other unique identifier	Chapter Title	Document type	Statutory Authority	Estimated review completion date	Business report required
Public Employment Relations Commission	391-08 WAC	391-08-001	Rules of Practice and Procedure Public Employment Relations Commission	R	RCW's	August 1, 1998	N
		to					
		391-08-820					
					28B.52.045(3)		
					28B.52.060		
					28B.52.080		
					34.05.010(18)		
					34.05.010(6)		
					34.05.220		
					41.56.060		
					41.56.070		
					41.56.090		
					41.56.100		
					41.56.122(1)		
					41.56.170		
					41.56.440		
					41.58.005(1)		
					41.58.010		
					41.58.015		
					41.58.020		
	41.58.050						
	41.59.080						
	41.59.100						
	41.59.110						
	41.59.120						
	41.59.150						
	49.08.010						
Public Employment Relations Commission	391-25 WAC	391-25-001	Representation Case Rules	R	RCW's	August 1, 2001	N
		to					
		391-25-670					
					28B.52.030		
					28B.52.080		
					34.05.413		
					34.05.431		
					34.05.437		
					41.56.040		
					41.56.050		
					41.56.060		
					41.56.070		
					41.56.090		
					41.56.201		
					41.58.050		
					41.59.070		
	41.59.080						
	41.59.110						
	49.08.020						
	53.18.015						

MISC.

Agency Name	WAC Chapters or Document	Section numbers or other unique identifier	Chapter Title	Document type	Statutory Authority	Estimated review completion date	Business report required
Public Employment Relations Commission	391-35 WAC	391-35-001 to 391-35-310	Unit Clarification Case Rules	R	28B.52.080 34.05.070 34.05.413 34.05.431 34.05.437 41.56.060 41.56.070 41.56.090 41.56.430 41.58.050 41.59.010 41.59.020 41.59.070 41.59.080 41.59.110 53.18.015	August 1, 2001 N	
Public Employment Relations Commission	391-45 WAC	391-45-001 to 391-45-552	Unfair Labor Practice Case Rules	R	28B.52.065 28B.52.073 28B.52.080 34.05.413 34.05.419 34.05.434 34.05.437 41.56.030(4) 41.56.040 41.56.090 41.56.140 41.56.150 41.56.160 41.56.170 41.56.180 41.58.040 41.58.050 41.59.020(2) 41.59.060 41.59.110 41.59.120 41.59.140 41.59.150 49.08.020 53.18.015	August 1, 2000 N	

MISC.

Agency Name	WAC Chapters or Document	Section numbers or other unique identifier	Chapter Title	Document type	Statutory Authority	Estimated review completion date	Business report required
Public Employment Relations Commission	391-55 WAC	391-55-001 to 391-55-150	Impasse Resolution Rules	R	5.60.072	August 1, 1999	N
					28B.52.060		
					28B.52.080		
					34.04.022		
					34.05.413		
					41.56.040		
					41.56.090		
					41.56.100		
					41.58.050		
					41.59.110		
47.64.040							
Public Employment Relations Commission	391-55 WAC	391-55-200 to 391-55-255	Impasse Resolution Rules (Interest Arbitration sub chapter)	R	28B.52.080	August 1, 1999	N
					41.56.090		
					41.56.450		
					41.56.492		
					41.58.050		
41.59.110							
Public Employment Relations Commission	391-55 WAC	391-55-300 to 391-55-355	Impasse Resolution Rules (Factfinding sub chapter)	R	28B.52.080	August 1, 1999	N
					34.04.022		
					34.04.022		
					41.56.040		
					41.56.090		
					41.58.050		
					41.59.110		
41.59.120							
47.64.040							
Public Employment Relations Commission	391-65 WAC	391-65-001 to 391-65-150	Grievance Arbitration Rules	R	28B.52.080	August 1, 1999	N
					34.04.022		
					34.05.413		
					41.56.040		
					41.56.090		
					41.56.125		
					41.58.050		
41.59.110							
47.64.040							
Agency Name	WAC Chapters or Document	Section numbers or other unique identifier	Chapter Title	Document type	Statutory Authority	Estimated review completion date	Business report required
Public Employment Relations Commission	391-95 WAC	391-95-001 to 391-95-310	Union Security Dispute Rules	R	28B.52.045	August 1, 2000	N
					28B.52.080		
					34.05.413		
					34.05.431		
					34.05.434		
					34.05.437		
					34.05.464		
					41.56.090		
					41.56.122		
					41.58.050		
					41.59.100		
41.59.110							

WSR 97-18-077
DEPARTMENT OF ECOLOGY
 [Filed September 3, 1997, 10:35 a.m.]

**Notice of Modification to
 The Stormwater General Permit for Construction Activities**

Introduction: Ecology is proposing to modify the existing stormwater general permit for construction activities, issued on November 18, 1995. The proposed modification will remove the permit exemption for construction projects owned by municipalities with a population of less than 100,000. The modification does not change any other permit requirements and does not affect any projects already subject

to permit coverage. Ecology plans to reissue the modified construction general permit by November 21, 1997.

Rationale for the Modification: Ecology's stormwater general permit for construction activities is required by federal regulations (40 CFR, Parts 122, 123, 124 Subchapter D which implements the Federal Clean Water Act 1987, Section 402(p)). The goal of ecology's permit is to minimize erosion and sediment runoff and other impacts to surface waters from construction activities.

Ecology's construction permit is required for any clearing, grading, or excavating activities which will disturb five acres or more of land area and which will discharge stormwater

MISC.

from the site into surface water(s), or into storm drainage systems which discharge to a surface water. Typical municipally owned construction projects would include roads, parks, schools and other public buildings. Consistent with federal rules, the permit exempted from coverage these projects owned by municipalities having populations less than 100,000.

In its decision re Pollution Control Hearings Board (PCHB) No. 95-141, *Save Lake Sammamish v. Ecology & DOT*, the PCHB ordered ecology to "issue a modified permit extending coverage under the general permit for construction activities to municipalities within the state with populations under 100,000." This permit modification is proposed in order to comply with the PCHB's order.

Public Workshop/Hearing: Public workshops and hearings on the proposed modification to the stormwater general permit for construction activities will be held on October 15, 16, 21 and 23. The purpose of the workshops is to explain the modification, answer questions, and facilitate meaningful testimony during the hearing. The purpose of the hearings is to provide interested parties an opportunity to give formal oral testimony and comment on the proposed modification.

The workshops and hearings will be held at the following locations:

Wednesday, October 15, 1997
Ecology's Eastern Regional Office
2nd Floor Conference Room
4601 North Monroe, Suite 100
Spokane, WA
(509) 456-2926

Thursday, October 16, 1997
Ecology's Central Regional Office
Seafoam Conference Room
15 West Yakima Avenue, Suite 200
Yakima, WA
(509) 575-2490

Tuesday, October 21, 1997
Ecology Headquarters Building
Auditorium - ROA 32
300 Desmond Drive
Lacey, WA
(360) 407-6400

Thursday, October 23, 1997
Ecology's Northwest Regional Office
Conference Room 1C
3190 160th Avenue S.E.
Bellevue, WA
(425) 649-7000

The public workshops will begin at 1:45 p.m. and last until 2:45 p.m. The formal public hearings will begin at 3:00 p.m. and close at 5:00 p.m.

How to Request Copies of the Modified Permit: Request for copies of the modified stormwater general permit for construction activities and fact sheet may be made by calling the stormwater documents request line at (360) 407-7156.

Where to Submit Written Comments: If you wish to comment on the proposed modification you may send your written comments to the following address:

Washington Department of Ecology
Stormwater Unit
P.O. Box 47696
Olympia, WA 98504-7696

Written comments must be postmarked no later than Friday, November 7, 1997.

Final Determination: A final determination to reissue this modified permit will not be made until ecology evaluates all the public testimony and written comments received pursuant to this notice. If ecology reissues the modified stormwater general permit for construction activities, a copy of the final determination and the responsiveness summary will be sent to all parties who submitted written comments or gave public testimony.

Ecology is an equal opportunity agency. If you have special accommodation needs or require this document in an alternative format, please contact Linda Matlock at (360) 407-6437 or (360) 407-6006 (TDD).

WSR 97-18-081
INTERPRETIVE OR POLICY STATEMENT
DEPARTMENT OF
SOCIAL AND HEALTH SERVICES
[Filed September 3, 1997, 11:20 a.m.]

DESCRIPTION OF INTERPRETIVE OR POLICY STATEMENT

Document Title: Private Duty Nursing Billing Instructions.

Subject: Private duty nursing.

Effective Date: September 1, 1997.

Document Description: This manual includes billing instructions and fee schedule for private duty nursing services. Included are instructions for filling out the HCFA-1500 claim form.

To receive a copy of the interpretive or policy statement, contact Anne DeJarnette, Administrative Regulations Analyst, Department of Social and Health Services, Medical Assistance Administration, Division of Program Support, P.O. Box 45530, Olympia, WA 98504, phone (360) 664-2320, TDD 1-800-848-5429, FAX (360) 753-7315, e-mail dejarae@dshs.wa.gov.

August 21, 1997
Roxie Schalliol, Section Head
Program Assistance Services Section

WSR 97-18-082
INTERPRETIVE OR POLICY STATEMENT
DEPARTMENT OF
SOCIAL AND HEALTH SERVICES
[Filed September 3, 1997, 11:22 a.m.]

DESCRIPTION OF INTERPRETIVE OR POLICY STATEMENT

Document Title: Licensed Midwives Billing Instructions.

Subject: Licensed midwives.

Effective Date: September 1, 1997.

Document Description: This manual includes billing instructions for licensed midwives and appropriate fee schedules.

To receive a copy of the interpretive or policy statement, contact Anne DeJarnette, Administrative Regulations Analyst, Department of Social and Health Services, Medical Assistance Administration, Division of Program Support, P.O. Box 45530, Olympia, WA 98504, phone (360) 664-2320, TDD 1-800-848-5429, FAX (360) 753-7315, e-mail dejarae@dshs.wa.gov.

August 21, 1997

Roxie Schalliol, Section Head
Program Assistance Services Section

WSR 97-18-083

**INTERPRETIVE OR POLICY STATEMENT
DEPARTMENT OF
SOCIAL AND HEALTH SERVICES**

[Filed September 3, 1997, 11:23 a.m.]

DESCRIPTION OF INTERPRETIVE OR POLICY STATEMENT

Document Title: HIV/AIDS Case Management Billing Instructions.

Subject: HIV/AIDS case management.

Effective Date: September 1, 1997.

Document Description: This manual includes billing instructions and appropriate fee schedule for HIV/AIDS case management.

To receive a copy of the interpretive or policy statement, contact Anne DeJarnette, Administrative Regulations Analyst, Department of Social and Health Services, Medical Assistance Administration, Division of Program Support, P.O. Box 45530, Olympia, WA 98504, phone (360) 664-2320, TDD 1-800-848-5429, FAX (360) 753-7315, e-mail dejarae@dshs.wa.gov.

August 21, 1997

Roxie Schalliol, Section Head
Program Assistance Services Section

WSR 97-18-084

**INTERPRETIVE OR POLICY STATEMENT
DEPARTMENT OF
SOCIAL AND HEALTH SERVICES**

[Filed September 3, 1997, 11:24 a.m.]

DESCRIPTION OF INTERPRETIVE OR POLICY STATEMENT

Document Title: Healthy Kids/EPSTDT Billing Instructions.

Subject: Healthy Kids/EPSTDT.

Effective Date: September 1, 1997.

Document Description: This manual includes billing instructions and appropriate fee schedule for Healthy Kids/EPSTDT services.

To receive a copy of the interpretive or policy statement, contact Anne DeJarnette, Administrative Regulations Analyst, Department of Social and Health Services, Medical Assistance Administration, Division of Program Support,

P.O. Box 45530, Olympia, WA 98504, phone (360) 664-2320, TDD 1-800-848-5429, FAX (360) 753-7315, e-mail dejarae@dshs.wa.gov.

August 21, 1997

Roxie Schalliol, Section Head
Program Assistance Services Section

WSR 97-18-085

**INTERPRETIVE OR POLICY STATEMENT
DEPARTMENT OF
SOCIAL AND HEALTH SERVICES**

[Filed September 3, 1997, 11:25 a.m.]

DESCRIPTION OF INTERPRETIVE OR POLICY STATEMENT

Document Title: Nursing Facility.

Subject: Policy and billing instructions.

Effective Date: August 1, 1997.

Document Description: This manual is for nursing facility providers. It describes the program and billing procedures including client eligibility, payment process, calculating the 90% payout, creating and correcting the turnaround documents.

To receive a copy of the interpretive or policy statement, contact Anne DeJarnette, Administrative Regulations Analyst, Department of Social and Health Services, Medical Assistance Administration, Division of Program Support, P.O. Box 45530, Olympia, WA 98513, phone (360) 664-2320, TDD 1-800-848-5429, FAX (360) 753-7315, e-mail dejarae@dshs.wa.gov.

August 21, 1997

Roxie Schalliol, Section Head
Program Assistance Services Section

WSR 97-18-088

AGENDA

INSURANCE COMMISSIONER'S OFFICE

[Filed September 3, 1997, 11:35 a.m.]

SEMI-ANNUAL RULES AGENDA

INSURANCE COMMISSIONER DEBORAH SENN

July 1, 1997

In accordance with section 206, chapter 409, Laws of 1997, Insurance Commissioner Deborah Senn states that the following rules are scheduled for consideration during the period July 1, 1997, through December 31, 1997:

1. Rules regarding rate filings for health insurance products — R 97-2
2. Rules regarding managed care issues in health insurance products — R 97-3
3. Rules to implement federal tax law ("Kennedy-Kassebaum" or "HIPPA"):

- * Accelerated Death Benefits R 96-13
- * Long-Term Care R 96-12
- * Viatical Settlement Companies R 96-14
- * Health Insurance matters not yet filed, to be determined

MISC.

4. Other matters under consideration for possible rule making (not yet determined):

- * Practices and procedures for hearings before the Insurance Commissioner
- * Medicare supplemental insurance disclosure forms



Table of WAC Sections Affected

KEY TO TABLE

This table covers the current calendar year through this issue of the Register and should be used to locate rules amended, adopted, or repealed subsequent to the publication date of the latest WAC or Supplement.

Symbols:

- AMD = Amendment of existing section
- A/R = Amending and recodifying a section
- DECOD = Decodification of an existing section
- NEW = New section not previously codified
- OBJEC = Notice of objection by Joint Administrative Rules Review Committee
- PREP = Preproposal comments
- RE-AD = Readoption of existing section
- RECOD = Recodification of previously codified section
- REP = Repeal of existing section
- RESCIND = Rescind previous emergency rule
- REVIEW = Review of previously adopted rule

Suffixes:

- C = Continuance of previous proposal
- E = Emergency action
- P = Proposed action
- S = Supplemental notice
- W = Withdrawal of proposed action
- X = Expedited repeal

Note: These filings will appear in a special section of Issue 97-14

No suffix means permanent action

WAC # shows the section number under which an agency rule is or will be codified in the Washington Administrative Code.

WSR # shows the issue of the Washington State Register where the document may be found; the last three digits identify the document within the issue.

WAC #	ACTION	WSR #	WAC #	ACTION	WSR #	WAC #	ACTION	WSR #
1-21-010	AMD-P	97-12-068	16-105-001	PREP-X	97-14-074	16-324-395	NEW	97-11-028
1-21-010	AMD	97-15-035	16-105-001	REP	97-18-041	16-324-396	NEW-P	97-07-075
1-21-020	AMD-P	97-12-068	16-105-010	PREP-X	97-14-074	16-324-396	NEW	97-11-028
1-21-020	AMD	97-15-035	16-105-010	REP	97-18-041	16-324-397	NEW-P	97-07-075
1-21-070	AMD-P	97-12-068	16-105-020	PREP-X	97-14-074	16-324-397	NEW	97-11-028
1-21-070	AMD	97-15-035	16-105-020	REP	97-18-041	16-324-398	NEW-P	97-07-075
1-21-170	AMD-P	97-12-068	16-105-030	PREP-X	97-14-074	16-324-398	NEW	97-11-028
1-21-170	AMD	97-15-035	16-105-030	REP	97-18-041	16-324-400	REP-P	97-07-075
1-21-180	AMD-P	97-12-068	16-156	PREP	97-16-066	16-324-400	REP	97-11-028
1-21-180	AMD	97-15-035	16-158	PREP	97-15-028	16-324-401	NEW-P	97-07-075
16-08-031	AMD-P	97-08-086	16-162	PREP	97-04-065	16-324-401	NEW	97-11-028
16-08-031	AMD	97-14-050	16-164	PREP	97-15-029	16-324-402	NEW-P	97-07-075
16-08-141	AMD-P	97-08-086	16-168	PREP	97-16-009	16-324-402	NEW	97-11-028
16-08-141	AMD	97-14-050	16-218-02001	AMD	97-05-003	16-324-409	NEW-P	97-07-075
16-08-171	AMD-P	97-08-086	16-230-835	AMD-P	97-02-094	16-324-409	NEW	97-11-028
16-08-171	AMD	97-14-050	16-230-835	AMD-W	97-06-003	16-324-410	REP-P	97-07-075
16-34-001	PREP-X	97-14-048	16-230-862	AMD-P	97-02-094	16-324-410	REP	97-11-028
16-34-001	REP	97-18-042	16-230-862	AMD-W	97-06-003	16-324-420	AMD-P	97-07-075
16-34-010	PREP-X	97-14-048	16-316-474	AMD-P	97-11-050	16-324-420	AMD	97-11-028
16-34-010	REP	97-18-042	16-316-474	AMD	97-16-026	16-324-430	REP-P	97-07-075
16-34-020	PREP-X	97-14-048	16-316-715	AMD-P	97-11-050	16-324-430	REP	97-11-028
16-34-020	REP	97-18-042	16-316-715	AMD	97-16-026	16-324-431	NEW-P	97-07-075
16-34-030	PREP-X	97-14-048	16-316-724	AMD-P	97-11-050	16-324-431	NEW	97-11-028
16-34-030	REP	97-18-042	16-316-724	AMD	97-16-026	16-324-435	REP-P	97-07-075
16-34-040	PREP-X	97-14-048	16-324-360	REP-P	97-07-075	16-324-435	REP	97-11-028
16-34-040	REP	97-18-042	16-324-360	REP	97-11-028	16-324-445	REP-P	97-07-075
16-46-001	PREP-X	97-14-048	16-324-361	NEW-P	97-07-075	16-324-445	REP	97-11-028
16-46-001	REP	97-18-042	16-324-361	NEW	97-11-028	16-324-446	NEW-P	97-07-075
16-46-005	PREP-X	97-14-048	16-324-370	AMD-P	97-07-075	16-324-446	NEW	97-11-028
16-46-005	REP	97-18-042	16-324-370	AMD	97-11-028	16-324-450	REP-P	97-07-075
16-46-020	PREP-X	97-14-048	16-324-375	AMD-P	97-07-075	16-324-450	REP	97-11-028
16-46-020	REP	97-18-042	16-324-375	AMD	97-11-028	16-324-460	REP-P	97-07-075
16-46-030	PREP-X	97-14-048	16-324-380	REP-P	97-07-075	16-324-460	REP	97-11-028
16-46-030	REP	97-18-042	16-324-380	REP	97-11-028	16-324-470	REP-P	97-07-075
16-46-035	PREP-X	97-14-048	16-324-381	NEW-P	97-07-075	16-324-470	REP	97-11-028
16-46-035	REP	97-18-042	16-324-381	NEW	97-11-028	16-324-480	REP-P	97-07-075
16-46-040	PREP-X	97-14-048	16-324-382	NEW-P	97-07-075	16-324-480	REP	97-11-028
16-46-040	REP	97-18-042	16-324-382	NEW	97-11-028	16-324-490	REP-P	97-07-075
16-46-045	PREP-X	97-14-048	16-324-390	REP-P	97-07-075	16-324-490	REP	97-11-028
16-46-045	REP	97-18-042	16-324-390	REP	97-11-028	16-324-500	REP-P	97-07-075
16-46-070	PREP-X	97-14-048	16-324-391	NEW-P	97-07-075	16-324-500	REP	97-11-028
16-46-070	REP	97-18-042	16-324-391	NEW	97-11-028	16-324-510	REP-P	97-07-075
16-50-001	PREP-X	97-14-048	16-324-392	NEW-P	97-07-075	16-324-510	REP	97-11-028
16-50-001	REP	97-18-042	16-324-392	NEW	97-11-028	16-324-520	REP-P	97-07-075
16-50-010	PREP-X	97-14-048	16-324-393	NEW-P	97-07-075	16-324-520	REP	97-11-028
16-50-010	REP	97-18-042	16-324-393	NEW	97-11-028	16-324-530	REP-P	97-07-075
16-50-020	PREP-X	97-14-048	16-324-394	NEW-P	97-07-075	16-324-530	REP	97-11-028
16-50-020	REP	97-18-042	16-324-394	NEW	97-11-028	16-324-540	REP-P	97-07-075
16-101-800	NEW-P	97-15-115	16-324-395	NEW-P	97-07-075	16-324-540	REP	97-11-028

Table of WAC Sections Affected

WAC #	ACTION	WSR #	WAC #	ACTION	WSR #	WAC #	ACTION	WSR #
16-324-600	REP-P	97-07-075	16-654-040	PREP-X	97-14-049	16-675-040	AMD	97-12-024
16-324-600	REP	97-11-028	16-654-040	REP	97-18-040	16-695-005	NEW-E	97-04-020
16-324-605	REP-P	97-07-075	16-654-050	PREP-X	97-14-049	16-695-010	NEW-E	97-04-020
16-324-605	REP	97-11-028	16-654-050	REP	97-18-040	16-695-015	NEW-E	97-04-020
16-324-610	REP-P	97-07-075	16-654-060	PREP-X	97-14-049	16-695-020	NEW-E	97-04-020
16-324-610	REP	97-11-028	16-654-060	REP	97-18-040	16-695-025	NEW-E	97-04-020
16-324-620	REP-P	97-07-075	16-660-001	PREP-X	97-14-049	16-695-030	NEW-E	97-04-020
16-324-620	REP	97-11-028	16-660-001	REP	97-18-040	16-695-035	NEW-E	97-04-020
16-324-630	REP-P	97-07-075	16-660-010	PREP-X	97-14-049	16-695-040	NEW-E	97-04-020
16-324-630	REP	97-11-028	16-660-010	REP	97-18-040	16-695-045	NEW-E	97-04-020
16-324-650	REP-P	97-07-075	16-662	AMD-P	97-09-080	16-695-050	NEW-E	97-04-020
16-324-650	REP	97-11-028	16-662	AMD	97-12-075	16-695-055	NEW-E	97-04-020
16-324-660	REP-P	97-07-075	16-662-070	REP-P	97-09-080	16-695-060	NEW-E	97-04-020
16-324-660	REP	97-11-028	16-662-070	REP	97-12-075	16-695-065	NEW-E	97-04-020
16-324-670	REP-P	97-07-075	16-662-071	REP-P	97-09-080	16-695-070	NEW-E	97-04-020
16-324-670	REP	97-11-028	16-662-071	REP	97-12-075	16-695-075	NEW-E	97-04-020
16-324-680	REP-P	97-07-075	16-662-100	NEW-P	97-09-080	16-695-080	NEW-E	97-04-020
16-324-680	REP	97-11-028	16-662-100	NEW	97-12-075	16-700-010	AMD	97-04-078
16-409-020	AMD-S	97-02-098	16-662-105	NEW-P	97-09-080	16-700-021	AMD-S	97-04-077
16-409-020	AMD	97-05-054	16-662-105	NEW	97-12-075	16-700-021	AMD	97-04-078
16-459-010	AMD-E	97-03-063	16-662-110	NEW-P	97-09-080	16-700-021	AMD-C	97-09-025
16-470-100	AMD-P	97-04-089	16-662-110	NEW	97-12-075	16-700-021	AMD	97-12-028
16-470-100	AMD	97-09-098	16-662-115	NEW-P	97-09-080	16-700-040	AMD	97-04-078
16-473-001	NEW-P	97-04-090	16-662-115	NEW	97-12-075	16-700-050	AMD	97-04-078
16-473-001	NEW-W	97-05-058	16-664-010	NEW-P	97-09-102	16-700-060	AMD	97-04-078
16-473-001	NEW-P	97-05-059	16-664-010	NEW	97-12-076	16-700-080	AMD	97-04-078
16-473-001	NEW	97-11-015	16-664-020	NEW-P	97-09-102	16-750	PREP	97-12-019
16-473-010	NEW-P	97-04-090	16-664-020	NEW	97-12-076	16-750-003	AMD	97-06-108
16-473-010	NEW-W	97-05-058	16-664-030	NEW-P	97-09-102	16-750-011	AMD	97-06-108
16-473-010	NEW-P	97-05-059	16-664-030	NEW	97-12-076	16-750-015	AMD	97-06-108
16-473-010	NEW	97-11-015	16-664-040	NEW-P	97-09-102	16-750-020	AMD	97-06-108
16-473-015	NEW-P	97-04-090	16-664-040	NEW	97-12-076	16-750-130	AMD	97-06-108
16-473-015	NEW-W	97-05-058	16-664-050	NEW-P	97-09-102	16-752-300	AMD-E	97-17-048
16-473-015	NEW-P	97-05-059	16-664-050	NEW	97-12-076	16-752-305	AMD-E	97-17-048
16-473-015	NEW	97-11-015	16-664-060	NEW-P	97-09-102	16-752-310	AMD-E	97-17-048
16-473-020	NEW-P	97-04-090	16-664-060	NEW	97-12-076	16-752-315	AMD-E	97-17-048
16-473-020	NEW-W	97-05-058	16-666-002	PREP-X	97-14-049	16-752-320	AMD-E	97-17-048
16-473-020	NEW-P	97-05-059	16-666-002	REP	97-18-040	16-752-330	AMD-E	97-17-048
16-473-020	NEW	97-11-015	16-666-003	PREP-X	97-14-049	25-30-010	PREP-X	97-14-010
16-473-025	NEW-P	97-04-090	16-666-003	REP	97-18-040	25-30-020	PREP-X	97-14-010
16-473-025	NEW-W	97-05-058	16-666-030	PREP-X	97-14-049	25-30-030	PREP-X	97-14-010
16-473-025	NEW-P	97-05-059	16-666-030	REP	97-18-040	25-30-040	PREP-X	97-14-010
16-473-025	NEW	97-11-015	16-666-040	PREP-X	97-14-049	25-30-050	PREP-X	97-14-010
16-532	PREP	97-05-067	16-666-040	REP	97-18-040	51-04	PREP	97-14-112
16-532-010	AMD-P	97-09-095	16-666-050	PREP-X	97-14-049	51-04-015	AMD-P	97-16-093
16-532-010	AMD	97-17-096	16-666-050	REP	97-18-040	51-04-070	AMD-P	97-16-093
16-532-040	AMD-P	97-09-095	16-666-060	PREP-X	97-14-049	51-06	PREP	97-14-112
16-532-040	AMD	97-17-096	16-666-060	REP	97-18-040	51-06-020	AMD-P	97-16-094
16-532-110	AMD-P	97-09-095	16-666-070	PREP-X	97-14-049	51-06-120	AMD-P	97-16-094
16-532-110	AMD	97-17-096	16-666-070	REP	97-18-040	51-11-0101	AMD-P	97-16-110
16-532-120	AMD-P	97-09-095	16-666-080	PREP-X	97-14-049	51-11-0104	AMD-P	97-16-110
16-532-120	AMD	97-17-096	16-666-080	REP	97-18-040	51-11-0201	AMD-P	97-16-110
16-536-040	PREP	97-08-083	16-666-090	PREP-X	97-14-049	51-11-0402	AMD-P	97-16-110
16-536-040	AMD-P	97-11-085	16-666-090	REP	97-18-040	51-11-0502	AMD-P	97-16-110
16-536-040	AMD-C	97-15-151	16-666-100	PREP-X	97-14-049	51-11-0503	AMD-P	97-16-110
16-573	NEW-C	97-17-063	16-666-100	REP	97-18-040	51-11-0504	AMD-P	97-16-110
16-573-010	NEW-P	97-11-084	16-666-110	PREP-X	97-14-049	51-11-0505	AMD-P	97-16-110
16-573-020	NEW-P	97-11-084	16-666-110	REP	97-18-040	51-11-0525	AMD-P	97-16-110
16-573-030	NEW-P	97-11-084	16-666-120	PREP-X	97-14-049	51-11-0527	AMD-P	97-16-110
16-573-040	NEW-P	97-11-084	16-666-120	REP	97-18-040	51-11-0530	AMD-P	97-16-110
16-573-041	NEW-P	97-11-084	16-666-130	PREP-X	97-14-049	51-11-0541	AMD-P	97-16-110
16-573-050	NEW-P	97-11-084	16-666-130	REP	97-18-040	51-11-0602	AMD-P	97-16-110
16-573-060	NEW-P	97-11-084	16-670-001	PREP-X	97-14-049	51-11-0605	AMD-P	97-16-110
16-573-070	NEW-P	97-11-084	16-670-001	REP	97-18-040	51-11-0606	REP-P	97-16-110
16-573-080	NEW-P	97-11-084	16-670-010	PREP-X	97-14-049	51-11-0607	REP-P	97-16-110
16-580	PREP	97-10-098	16-670-010	REP	97-18-040	51-11-0608	REP-P	97-16-110
16-580	AMD-C	97-17-095	16-675-010	AMD-P	97-09-103	51-11-0625	AMD-P	97-16-110
16-580-020	AMD-P	97-14-102	16-675-010	AMD	97-12-024	51-11-0626	AMD-P	97-16-110
16-580-040	AMD-P	97-14-102	16-675-020	AMD-P	97-09-103	51-11-0627	AMD-P	97-16-110
16-650-001	PREP-X	97-14-049	16-675-020	AMD	97-12-024	51-11-0628	AMD-P	97-16-110
16-650-001	REP	97-18-040	16-675-030	AMD-P	97-09-103	51-11-0629	AMD-P	97-16-110
16-654-030	PREP-X	97-14-049	16-675-030	AMD	97-12-024	51-11-0630	AMD-P	97-16-110
16-654-030	REP	97-18-040	16-675-040	AMD-P	97-09-103	51-11-0701	AMD-P	97-16-110

TABLE

Table of WAC Sections Affected

WAC #	ACTION	WSR #	WAC #	ACTION	WSR #	WAC #	ACTION	WSR #
51-11-0800	AMD-P	97-16-110	51-26-2200	REP-P	97-16-114	51-30-1125	REP-P	97-16-111
51-11-1002	AMD-P	97-16-110	51-26-2300	REP-P	97-16-114	51-30-1200	REP-P	97-16-111
51-11-1003	AMD-P	97-16-110	51-26-2301	REP-P	97-16-114	51-30-1203	REP-P	97-16-111
51-11-1004	AMD-P	97-16-110	51-27	PREP	97-06-107	51-30-1600	REP-P	97-16-111
51-11-1005	AMD-P	97-16-110	51-27-001	NEW-P	97-16-114	51-30-1614	REP-P	97-16-111
51-11-1006	AMD-P	97-16-110	51-27-002	NEW-P	97-16-114	51-30-1700	REP-P	97-16-111
51-11-1007	AMD-P	97-16-110	51-27-003	NEW-P	97-16-114	51-30-1702	REP-P	97-16-111
51-11-1008	AMD-P	97-16-110	51-27-004	NEW-P	97-16-114	51-30-1900	REP-P	97-16-111
51-11-1009	AMD-P	97-16-110	51-27-008	NEW-P	97-16-114	51-30-1909	REP-P	97-16-111
51-11-1010	REP-P	97-16-110	51-30-001	REP-P	97-16-111	51-30-2200	REP-P	97-16-111
51-11-1120	AMD-P	97-16-110	51-30-002	REP-P	97-16-111	51-30-2211	REP-P	97-16-111
51-11-1130	AMD-P	97-16-110	51-30-003	REP-P	97-16-111	51-30-2400	REP-P	97-16-111
51-11-1132	AMD-P	97-16-110	51-30-004	REP-P	97-16-111	51-30-2406	REP-P	97-16-111
51-11-1133	AMD-P	97-16-110	51-30-005	REP-P	97-16-111	51-30-2900	REP-P	97-16-111
51-11-1210	AMD	97-03-017	51-30-007	REP-P	97-16-111	51-30-2902	REP-P	97-16-111
51-11-1210	AMD-P	97-16-110	51-30-008	REP-P	97-16-111	51-30-2903	REP-P	97-16-111
51-11-1301	AMD	97-03-017	51-30-009	REP-P	97-16-111	51-30-2904	REP-P	97-16-111
51-11-1310	AMD-P	97-16-110	51-30-0100	REP-P	97-16-111	51-30-2910	REP-P	97-16-111
51-11-1312	AMD-P	97-16-110	51-30-0104	REP-P	97-16-111	51-30-3102	REP-P	97-16-111
51-11-1322	AMD-P	97-16-110	51-30-0200	REP-P	97-16-111	51-30-31200	REP-P	97-16-111
51-11-1323	AMD-P	97-16-110	51-30-0204	REP-P	97-16-111	51-30-31201	REP-P	97-16-111
51-11-1331	AMD-P	97-16-110	51-30-0207	REP-P	97-16-111	51-30-31202	REP-P	97-16-111
51-11-1334	AMD-P	97-16-110	51-30-0217	REP-P	97-16-111	51-30-31203	REP-P	97-16-111
51-11-1411	AMD-P	97-16-110	51-30-0220	REP-P	97-16-111	51-30-31204	REP-P	97-16-111
51-11-1412	AMD-P	97-16-110	51-30-0300	REP-P	97-16-111	51-30-31205	REP-P	97-16-111
51-11-1414	AMD-P	97-16-110	51-30-0302	REP-P	97-16-111	51-30-31206	REP-P	97-16-111
51-11-1421	AMD-P	97-16-110	51-30-0304	REP-P	97-16-111	51-30-31207	REP-P	97-16-111
51-11-1422	AMD-P	97-16-110	51-30-0305	REP-P	97-16-111	51-30-31208	REP-P	97-16-111
51-11-1423	AMD-P	97-16-110	51-30-0307	REP-P	97-16-111	51-30-31209	REP-P	97-16-111
51-11-1433	AMD-P	97-16-110	51-30-0310	REP-P	97-16-111	51-30-31210	REP-P	97-16-111
51-11-1452	AMD-P	97-16-110	51-30-0313	REP-P	97-16-111	51-30-3400	REP-P	97-16-111
51-11-1454	AMD-P	97-16-110	51-30-0400	REP-P	97-16-111	51-30-3404	REP-P	97-16-111
51-11-1512	AMD-P	97-16-110	51-30-0403	REP-P	97-16-111	51-30-93115	REP-P	97-16-111
51-11-1530	AMD-P	97-16-110	51-30-0405	REP-P	97-16-111	51-30-93116	REP-P	97-16-111
51-11-1701	AMD-P	97-16-110	51-30-0500	REP-P	97-16-111	51-30-93117	REP-P	97-16-111
51-11-2005	AMD-P	97-16-110	51-30-0510	REP-P	97-16-111	51-30-93118	REP-P	97-16-111
51-11-2006	AMD-P	97-16-110	51-30-0600	REP-P	97-16-111	51-30-93119	REP-P	97-16-111
51-11-2007	AMD-P	97-16-110	51-30-0601	REP-P	97-16-111	51-30-93120	REP-P	97-16-111
51-11-99903	AMD-P	97-16-110	51-30-0800	REP-P	97-16-111	51-32	PREP	97-03-086
51-11-99904	AMD-P	97-16-110	51-30-0804	REP-P	97-16-111	51-32-1119	NEW-W	97-09-042
51-13-106	AMD-P	97-16-112	51-30-0900	REP-P	97-16-111	51-32-001	REP-P	97-16-115
51-13-402	AMD-P	97-16-112	51-30-0902	REP-P	97-16-111	51-32-002	REP-P	97-16-115
51-13-502	AMD-P	97-16-112	51-30-0904	REP-P	97-16-111	51-32-003	REP-P	97-16-115
51-26	PREP	97-06-107	51-30-1000	REP-P	97-16-111	51-32-004	REP-P	97-16-115
51-26-001	REP-P	97-16-114	51-30-1001	REP-P	97-16-111	51-32-005	REP-P	97-16-115
51-26-002	REP-P	97-16-114	51-30-1004	REP-P	97-16-111	51-32-007	REP-P	97-16-115
51-26-003	REP-P	97-16-114	51-30-1005	REP-P	97-16-111	51-32-008	REP-P	97-16-115
51-26-004	REP-P	97-16-114	51-30-1006	REP-P	97-16-111	51-32-0200	REP-P	97-16-115
51-26-008	REP-P	97-16-114	51-30-1007	REP-P	97-16-111	51-32-0223	REP-P	97-16-115
51-26-0300	REP-P	97-16-114	51-30-1009	REP-P	97-16-111	51-32-0300	REP-P	97-16-115
51-26-0310	REP-P	97-16-114	51-30-1014	REP-P	97-16-111	51-32-0327	REP-P	97-16-115
51-26-0315	REP-P	97-16-114	51-30-1019	REP-P	97-16-111	51-32-0500	REP-P	97-16-115
51-26-0400	REP-P	97-16-114	51-30-1030	REP-P	97-16-111	51-32-0504	REP-P	97-16-115
51-26-0401	REP-P	97-16-114	51-30-1100	REP-P	97-16-111	51-32-0600	REP-P	97-16-115
51-26-0500	REP-P	97-16-114	51-30-1101	REP-P	97-16-111	51-32-0601	REP-P	97-16-115
51-26-0503	REP-P	97-16-114	51-30-1102	REP-P	97-16-111	51-32-0605	REP-P	97-16-115
51-26-0909	REP-P	97-16-114	51-30-1103	REP-P	97-16-111	51-32-1100	REP-P	97-16-115
51-26-1000	REP-P	97-16-114	51-30-1104	REP-P	97-16-111	51-32-1101	REP-P	97-16-115
51-26-1004	REP-P	97-16-114	51-30-1105	REP-P	97-16-111	51-32-1102	REP-P	97-16-115
51-26-1007	REP-P	97-16-114	51-30-1106	REP-P	97-16-111	51-32-1103	REP-P	97-16-115
51-26-1009	REP-P	97-16-114	51-30-1107	REP-P	97-16-111	51-32-1104	REP-P	97-16-115
51-26-1020	REP-P	97-16-114	51-30-1108	REP-P	97-16-111	51-32-1105	REP-P	97-16-115
51-26-1301	REP-P	97-16-114	51-30-1109	REP-P	97-16-111	51-32-1106	REP-P	97-16-115
51-26-1800	REP-P	97-16-114	51-30-1110	REP-P	97-16-111	51-32-1107	REP-P	97-16-115
51-26-1801	REP-P	97-16-114	51-30-1111	REP-P	97-16-111	51-32-1108	REP-P	97-16-115
51-26-1802	REP-P	97-16-114	51-30-1112	REP-P	97-16-111	51-32-1300	REP-P	97-16-115
51-26-1803	REP-P	97-16-114	51-30-1113	REP-P	97-16-111	51-32-1312	REP-P	97-16-115
51-26-1804	REP-P	97-16-114	51-30-1114	REP-P	97-16-111	51-32-1313	REP-P	97-16-115
51-26-1810	REP-P	97-16-114	51-30-1120	REP-P	97-16-111	51-34	PREP	97-03-086
51-26-1820	REP-P	97-16-114	51-30-1121	REP-P	97-16-111	51-34-001	REP-P	97-16-113
51-26-1830	REP-P	97-16-114	51-30-1122	REP-P	97-16-111	51-34-002	REP-P	97-16-113
51-26-1840	REP-P	97-16-114	51-30-1123	REP-P	97-16-111	51-34-003	REP-P	97-16-113
51-26-1845	REP-P	97-16-114	51-30-1124	REP-P	97-16-111	51-34-007	REP-P	97-16-113

Table of WAC Sections Affected

WAC #	ACTION	WSR #	WAC #	ACTION	WSR #	WAC #	ACTION	WSR #
51-46-0200	NEW-P	97-16-114	51-46-97123	NEW-P	97-16-114	132N-20-030	REP-P	97-10-018
51-46-0205	NEW-P	97-16-114	51-46-97124	NEW-P	97-16-114	132N-20-030	REP	97-17-013
51-46-0215	NEW-P	97-16-114	51-46-97125	NEW-P	97-16-114	132N-20-040	REP-P	97-10-018
51-46-0218	NEW-P	97-16-114	51-46-97126	NEW-P	97-16-114	132N-20-040	REP	97-17-013
51-46-0300	NEW-P	97-16-114	51-46-97127	NEW-P	97-16-114	132N-20-050	REP-P	97-10-018
51-46-0301	NEW-P	97-16-114	51-46-97128	NEW-P	97-16-114	132N-20-050	REP	97-17-013
51-46-0310	NEW-P	97-16-114	51-46-97129	NEW-P	97-16-114	132N-20-060	REP-P	97-10-018
51-46-0311	NEW-P	97-16-114	51-47-001	NEW-P	97-16-114	132N-20-060	REP	97-17-013
51-46-0313	NEW-P	97-16-114	51-47-002	NEW-P	97-16-114	132N-20-070	REP-P	97-10-018
51-46-0314	NEW-P	97-16-114	51-47-003	NEW-P	97-16-114	132N-20-070	REP	97-17-013
51-46-0392	NEW-P	97-16-114	51-47-007	NEW-P	97-16-114	132N-20-080	REP-P	97-10-018
51-46-0316	NEW-P	97-16-114	51-47-008	NEW-P	97-16-114	132N-20-080	REP	97-17-013
51-46-0400	NEW-P	97-16-114	82-50-021	AMD-P	97-10-079	132N-20-090	REP-P	97-10-018
51-46-0402	NEW-P	97-16-114	82-50-021	AMD	97-13-064	132N-20-090	REP	97-17-013
51-46-0412	NEW-P	97-16-114	112-10-010	NEW-E	97-13-061	132N-108-010	NEW-P	97-15-078
51-46-0413	NEW-P	97-16-114	112-10-010	NEW-P	97-15-145	132N-108-020	NEW-P	97-15-078
51-46-0413	NEW-P	97-16-114	112-10-020	NEW-E	97-13-061	132N-108-030	NEW-P	97-15-078
51-46-0500	NEW-P	97-16-114	112-10-020	NEW-P	97-15-145	132N-108-040	NEW-P	97-15-078
51-46-0501	NEW-P	97-16-114	112-10-030	NEW-E	97-13-061	132N-108-050	NEW-P	97-15-078
51-46-0502	NEW-P	97-16-114	112-10-030	NEW-P	97-15-145	132N-108-060	NEW-P	97-15-078
51-46-0505	NEW-P	97-16-114	112-10-040	NEW-E	97-13-061	132N-108-070	NEW-P	97-15-078
51-46-0507	NEW-P	97-16-114	112-10-040	NEW-P	97-15-145	132N-108-080	NEW-P	97-15-078
51-46-0509	NEW-P	97-16-114	112-10-050	NEW-E	97-13-061	132N-108-090	NEW-P	97-15-078
51-46-0512	NEW-P	97-16-114	112-10-050	NEW-P	97-15-145	132N-120-010	NEW-P	97-10-018
51-46-0513	NEW-P	97-16-114	112-10-060	NEW-E	97-13-061	132N-120-010	NEW	97-17-013
51-46-0514	NEW-P	97-16-114	112-10-060	NEW-P	97-15-145	132N-120-020	NEW-P	97-10-018
51-46-0515	NEW-P	97-16-114	131-16	AMD-C	97-07-007	132N-120-020	NEW	97-17-013
51-46-0516	NEW-P	97-16-114	131-16-010	AMD-E	97-07-006	132N-120-030	NEW-P	97-10-018
51-46-0517	NEW-P	97-16-114	131-16-010	AMD	97-10-069	132N-120-030	NEW	97-17-013
51-46-0518	NEW-P	97-16-114	131-16-011	AMD-E	97-07-006	132N-120-040	NEW-P	97-10-018
51-46-0519	NEW-P	97-16-114	131-16-011	AMD	97-10-069	132N-120-040	NEW	97-17-013
51-46-0520	NEW-P	97-16-114	131-16-021	AMD-E	97-07-006	132N-120-050	NEW-P	97-10-018
51-46-0521	NEW-P	97-16-114	131-16-021	AMD	97-10-069	132N-120-050	NEW	97-17-013
51-46-0522	NEW-P	97-16-114	131-16-021	AMD	97-10-069	132N-120-060	NEW-P	97-10-018
51-46-0523	NEW-P	97-16-114	131-16-050	AMD-E	97-07-006	132N-120-060	NEW	97-17-013
51-46-0524	NEW-P	97-16-114	131-16-050	AMD	97-10-069	132N-120-060	NEW	97-17-013
51-46-0525	NEW-P	97-16-114	131-16-060	AMD-E	97-07-006	132N-120-065	NEW-P	97-10-018
51-46-0600	NEW-P	97-16-114	131-16-060	AMD	97-10-069	132N-120-065	NEW	97-17-013
51-46-0603	NEW-P	97-16-114	131-16-067	NEW-E	97-14-070	132N-120-070	NEW-P	97-10-018
51-46-0604	NEW-P	97-16-114	131-16-067	NEW-P	97-16-089	132N-120-070	NEW	97-17-013
51-46-0608	NEW-P	97-16-114	131-16-068	NEW-E	97-14-070	132N-120-080	NEW-P	97-10-018
51-46-0609	NEW-P	97-16-114	131-16-068	NEW-P	97-16-089	132N-120-080	NEW	97-17-013
51-46-0610	NEW-P	97-16-114	132E-111-010	PREP	97-08-080	132N-120-090	NEW-P	97-10-018
51-46-0700	NEW-P	97-16-114	132E-121-010	PREP	97-08-080	132N-120-090	NEW	97-17-013
51-46-0701	NEW-P	97-16-114	132E-121-010	AMD-P	97-11-068	132N-120-100	NEW-P	97-10-018
51-46-0704	NEW-P	97-16-114	132E-133-020	PREP	97-08-081	132N-120-100	NEW	97-17-013
51-46-0710	NEW-P	97-16-114	132E-133-020	AMD-P	97-11-069	132N-120-110	NEW-P	97-10-018
51-46-0713	NEW-P	97-16-114	132K-04	AMD-P	97-07-018	132N-120-110	NEW	97-17-013
51-46-0793	NEW-P	97-16-114	132K-04	AMD	97-12-071	132N-120-120	NEW-P	97-10-018
51-46-0800	NEW-P	97-16-114	132K-04-001	AMD-P	97-07-018	132N-120-120	NEW	97-17-013
51-46-0810	NEW-P	97-16-114	132K-04-001	AMD	97-12-071	132N-120-130	NEW-P	97-10-018
51-46-0814	NEW-P	97-16-114	132K-04-010	AMD-P	97-07-018	132N-120-130	NEW	97-17-013
51-46-0815	NEW-P	97-16-114	132K-04-010	AMD	97-12-071	132N-120-140	NEW-P	97-10-018
51-46-0900	NEW-P	97-16-114	132K-04-020	AMD-P	97-07-018	132N-120-140	NEW	97-17-013
51-46-0903	NEW-P	97-16-114	132K-04-020	AMD	97-12-071	132N-120-150	NEW-P	97-10-018
51-46-1000	NEW-P	97-16-114	132K-04-030	AMD-P	97-07-018	132N-120-150	NEW	97-17-013
51-46-1003	NEW-P	97-16-114	132K-04-030	AMD	97-12-071	132N-120-160	NEW-P	97-10-018
51-46-1012	NEW-P	97-16-114	132K-04-050	AMD-P	97-07-018	132N-120-160	NEW	97-17-013
51-46-1300	NEW-P	97-16-114	132K-04-050	AMD	97-12-071	132N-120-170	NEW-P	97-10-018
51-46-1301	NEW-P	97-16-114	132K-04-070	REP-P	97-07-018	132N-120-170	NEW	97-17-013
51-46-1302	NEW-P	97-16-114	132K-04-070	REP	97-12-071	132N-120-180	NEW-P	97-10-018
51-46-1303	NEW-P	97-16-114	132K-04-080	AMD-P	97-07-018	132N-120-180	NEW	97-17-013
51-46-1304	NEW-P	97-16-114	132K-04-080	AMD	97-12-071	132N-122	PREP	97-15-076
51-46-1301	NEW-P	97-16-114	132K-04-110	AMD-P	97-07-018	132N-156	PREP	97-15-077
51-46-1302	NEW-P	97-16-114	132K-04-110	AMD	97-12-071	132P-116	PREP	97-10-076
51-46-1303	NEW-P	97-16-114	132K-04-130	AMD-P	97-07-018	132P-116-010	AMD-P	97-14-101
51-46-1304	NEW-P	97-16-114	132K-04-130	AMD	97-12-071	132P-116-020	AMD-P	97-14-101
51-46-1305	NEW-P	97-16-114	132K-08-010	REP-P	97-07-017	132P-116-040	AMD-P	97-14-101
51-46-1400	NEW-P	97-16-114	132K-08-010	REP	97-12-070	132P-116-050	AMD-P	97-14-101
51-46-1401	NEW-P	97-16-114	132N-20	PREP	97-06-008	132P-116-060	AMD-P	97-14-101
51-46-1491	NEW-P	97-16-114	132N-20-010	REP-P	97-10-018	132P-116-070	AMD-P	97-14-101
51-46-97120	NEW-P	97-16-114	132N-20-010	REP	97-17-013	132P-116-080	AMD-P	97-14-101
51-46-97121	NEW-P	97-16-114	132N-20-020	REP-P	97-10-018	132P-116-090	REP-P	97-14-101
51-46-97122	NEW-P	97-16-114	132N-20-020	REP	97-17-013	132P-116-100	AMD-P	97-14-101

Table of WAC Sections Affected

WAC #	ACTION	WSR #	WAC #	ACTION	WSR #	WAC #	ACTION	WSR #
132V-12-362	REP-P	97-03-128	172-120-030	AMD	97-06-095	173-201A-040	AMD-P	97-12-034
132V-12-362	REP	97-07-048	172-120-040	AMD	97-06-095	173-201A-050	AMD-P	97-12-034
132V-12-365	REP-P	97-03-128	172-120-050	AMD	97-06-095	173-201A-060	AMD-P	97-12-034
132V-12-365	REP	97-07-048	172-120-060	AMD	97-06-095	173-201A-110	AMD-P	97-12-034
132V-12-368	REP-P	97-03-128	172-120-070	AMD	97-06-095	173-201A-130	AMD-P	97-12-034
132V-12-368	REP	97-07-048	172-120-080	AMD	97-06-095	173-201A-140	AMD-P	97-12-034
132V-12-371	REP-P	97-03-128	172-120-090	AMD	97-06-095	173-201A-160	AMD-P	97-12-034
132V-12-371	REP	97-07-048	172-120-100	AMD	97-06-095	173-202-020	AMD-E	97-05-039
132V-12-374	REP-P	97-03-128	172-120-110	AMD	97-06-095	173-202-020	PREP	97-08-038
132V-12-374	REP	97-07-048	172-120-120	AMD	97-06-095	173-202-020	AMD-E	97-13-036
132V-12-377	REP-P	97-03-128	172-120-130	AMD	97-06-095	173-202-020	AMD-P	97-15-130
132V-12-377	REP	97-07-048	172-120-140	AMD	97-06-095	173-202-020	AMD-E	97-16-038
132V-12-380	REP-P	97-03-128	172-120-150	REP	97-06-095	173-223	PREP-X	97-14-076
132V-12-380	REP	97-07-048	173-22	AMD-C	97-03-129	173-224	PREP	97-14-084
132V-12-383	REP-P	97-03-128	173-22	AMD	97-04-076	173-303	PREP	97-04-062
132V-12-383	REP	97-07-048	173-22-015	REP	97-04-076	173-303-017	AMD-P	97-16-074
132V-12-386	REP-P	97-03-128	173-22-030	AMD	97-04-076	173-303-040	AMD-P	97-16-074
132V-12-386	REP	97-07-048	173-22-035	NEW	97-04-076	173-303-045	AMD-P	97-16-074
132V-12-389	REP-P	97-03-128	173-22-040	AMD	97-04-076	173-303-070	AMD-P	97-16-074
132V-12-389	REP	97-07-048	173-22-070	AMD	97-04-076	173-303-071	AMD-P	97-16-074
132V-12-392	REP-P	97-03-128	173-22-080	NEW	97-04-076	173-303-073	AMD-P	97-16-074
132V-12-392	REP	97-07-048	173-32-010	PREP-X	97-13-042	173-303-077	NEW-P	97-16-074
132V-12-398	REP-P	97-03-128	173-32-010	REP	97-18-047	173-303-081	AMD-P	97-16-074
132V-12-398	REP	97-07-048	173-32-020	PREP-X	97-13-042	173-303-082	AMD-P	97-16-074
132V-12-401	REP-P	97-03-128	173-32-020	REP	97-18-047	173-303-090	AMD-P	97-16-074
132V-12-401	REP	97-07-048	173-32-030	PREP-X	97-13-042	173-303-100	AMD-P	97-16-074
132V-12-404	REP-P	97-03-128	173-32-030	REP	97-18-047	173-303-104	AMD-P	97-16-074
132V-12-404	REP	97-07-048	173-32-040	PREP-X	97-13-042	173-303-110	AMD-P	97-16-074
132V-12-407	REP-P	97-03-128	173-32-040	REP	97-18-047	173-303-120	AMD-P	97-16-074
132V-12-407	REP	97-07-048	173-90-010	PREP-X	97-13-043	173-303-140	AMD-P	97-16-074
132V-12-410	REP-P	97-03-128	173-90-010	REP	97-17-082	173-303-145	AMD-P	97-16-074
132V-12-410	REP	97-07-048	173-90-015	PREP-X	97-13-043	173-303-160	AMD-P	97-16-074
132V-12-413	REP-P	97-03-128	173-90-015	REP	97-17-082	173-303-180	AMD-P	97-16-074
132V-12-413	REP	97-07-048	173-90-020	PREP-X	97-13-043	173-303-201	AMD-P	97-16-074
132V-12-416	REP-P	97-03-128	173-90-020	REP	97-17-082	173-303-210	AMD-P	97-16-074
132V-12-416	REP	97-07-048	173-90-040	PREP-X	97-13-043	173-303-230	AMD-P	97-16-074
132V-12-419	REP-P	97-03-128	173-90-040	REP	97-17-082	173-303-280	AMD-P	97-16-074
132V-12-419	REP	97-07-048	173-90-050	PREP-X	97-13-043	173-303-282	AMD-P	97-16-074
132V-12-422	REP-P	97-03-128	173-90-050	REP	97-17-082	173-303-300	AMD-P	97-16-074
132V-12-422	REP	97-07-048	173-90-060	PREP-X	97-13-043	173-303-335	AMD-P	97-16-074
132V-12-425	REP-P	97-03-128	173-90-060	REP	97-17-082	173-303-350	AMD-P	97-16-074
132V-12-425	REP	97-07-048	173-90-070	PREP-X	97-13-043	173-303-380	AMD-P	97-16-074
132V-12-428	REP-P	97-03-128	173-90-070	REP	97-17-082	173-303-395	AMD-P	97-16-074
132V-12-428	REP	97-07-048	173-95A-010	NEW-E	97-12-022	173-303-400	AMD-P	97-16-074
132V-12-431	REP-P	97-03-128	173-95A-020	NEW-E	97-12-022	173-303-505	AMD-P	97-16-074
132V-12-431	REP	97-07-048	173-95A-030	NEW-E	97-12-022	173-303-520	AMD-P	97-16-074
132V-12-434	REP-P	97-03-128	173-95A-040	NEW-E	97-12-022	173-303-522	NEW-P	97-16-074
132V-12-434	REP	97-07-048	173-95A-050	NEW-E	97-12-022	173-303-573	NEW-P	97-16-074
136-15-010	AMD-P	97-17-001	173-152-010	NEW-E	97-10-091	173-303-600	AMD-P	97-16-074
136-15-050	AMD-P	97-17-001	173-152-010	RESCIND	97-14-017	173-303-610	AMD-P	97-16-074
136-100-030	AMD-P	97-17-002	173-152-010	NEW-E	97-14-017	173-303-620	AMD-P	97-16-074
136-110-010	AMD-P	97-17-002	173-152-010	NEW-P	97-17-081	173-303-655	AMD-P	97-16-074
136-110-030	AMD-P	97-17-002	173-152-020	NEW-E	97-10-091	173-303-665	AMD-P	97-16-074
136-130-060	AMD	97-06-006	173-152-020	RESCIND	97-14-017	173-303-675	AMD-P	97-16-074
136-150-010	AMD-P	97-17-002	173-152-020	NEW-E	97-14-017	173-303-800	AMD-P	97-16-074
136-150-022	AMD-P	97-17-002	173-152-020	NEW-P	97-17-081	173-303-802	AMD-P	97-16-074
136-150-023	AMD-P	97-17-002	173-152-025	NEW-E	97-14-017	173-303-804	AMD-P	97-16-074
136-200-010	AMD-P	97-17-002	173-152-030	NEW-E	97-10-091	173-303-805	AMD-P	97-16-074
136-200-040	AMD-P	97-17-002	173-152-030	RESCIND	97-14-017	173-303-806	AMD-P	97-16-074
136-210-010	AMD-P	97-17-002	173-152-030	NEW-P	97-17-081	173-303-807	AMD-P	97-16-074
137-28-140	AMD	97-03-041	173-152-040	NEW-E	97-10-091	173-303-810	AMD-P	97-16-074
137-28-160	AMD	97-03-041	173-152-040	RESCIND	97-14-017	173-303-815	AMD-P	97-16-074
137-28-220	AMD	97-03-041	173-152-040	NEW-E	97-14-017	173-303-830	AMD-P	97-16-074
137-28-260	AMD	97-03-041	173-152-040	NEW-P	97-17-081	173-303-840	AMD-P	97-16-074
137-28-350	AMD	97-03-041	173-152-050	NEW-E	97-10-091	173-303-900	AMD-P	97-16-074
137-55-010	NEW	97-03-041	173-152-050	RESCIND	97-14-017	173-303-910	AMD-P	97-16-074
137-55-020	NEW	97-03-041	173-152-050	NEW-E	97-14-017	173-303-9903	AMD-P	97-16-074
137-55-030	NEW	97-03-041	173-152-050	NEW-P	97-17-081	173-303-9904	AMD-P	97-16-074
137-55-040	NEW	97-03-041	173-152-060	NEW-P	97-17-081	173-303-9905	AMD-P	97-16-074
137-55-050	NEW	97-03-041	173-160	PREP	97-10-093	173-309-010	PREP-X	97-13-041
137-55-060	NEW	97-03-041	173-162	PREP	97-10-093	173-309-010	REP	97-18-046
172-120-015	NEW	97-06-095	173-201A-020	AMD-P	97-12-034	173-309-020	PREP-X	97-13-041
172-120-020	AMD	97-06-095	173-201A-030	AMD-P	97-12-034	173-309-020	REP	97-18-046

Table of WAC Sections Affected

WAC #	ACTION	WSR #	WAC #	ACTION	WSR #	WAC #	ACTION	WSR #
173-309-030	PREP-X	97-13-041	173-491	PREP	97-09-018	180-24-415	AMD-P	97-16-071
173-309-030	REP	97-18-046	173-491-020	AMD	97-04-012	180-27-056	PREP	97-09-115
173-309-040	PREP-X	97-13-041	173-491-040	AMD	97-04-012	180-33-025	PREP	97-09-116
173-309-040	REP	97-18-046	173-491-050	AMD	97-04-012	180-34	PREP	97-17-066
173-309-050	PREP-X	97-13-041	173-500	PREP	97-13-074	180-36	PREP	97-17-065
173-309-050	REP	97-18-046	173-531A	PREP	97-12-092	180-40-260	AMD-P	97-04-067
173-309-060	PREP-X	97-13-041	173-563-090	PREP	97-12-092	180-40-260	AMD	97-08-019
173-309-060	REP	97-18-046	174-116	PREP	97-05-044	180-40-310	AMD-P	97-04-067
173-309-070	PREP-X	97-13-041	174-122	PREP	97-05-044	180-40-310	AMD	97-08-019
173-309-070	REP	97-18-046	174-122-010	REP-P	97-09-084	180-51-050	AMD-P	97-04-066
173-309-080	PREP-X	97-13-041	174-122-010	REP	97-13-047	180-51-050	AMD	97-08-020
173-309-080	REP	97-18-046	174-122-020	REP-P	97-09-084	180-75-003	REP	97-04-088
173-309-090	PREP-X	97-13-041	174-122-020	REP	97-13-047	180-75-005	REP	97-04-088
173-309-090	REP	97-18-046	174-122-030	REP-P	97-09-084	180-75-016	REP	97-04-088
173-311-010	PREP-X	97-13-040	174-122-030	REP	97-13-047	180-75-017	REP	97-04-088
173-311-010	REP	97-18-048	174-122-040	REP-P	97-09-084	180-75-045	REP	97-04-088
173-311-020	PREP-X	97-13-040	174-122-040	REP	97-13-047	180-75-047	REP	97-04-088
173-311-020	REP	97-18-048	174-130	PREP	97-05-044	180-75-048	REP	97-04-088
173-311-030	PREP-X	97-13-040	174-130-010	REP-P	97-09-084	180-75-050	REP	97-04-088
173-311-030	REP	97-18-048	174-130-010	REP	97-13-047	180-75-055	REP	97-04-088
173-311-040	PREP-X	97-13-040	174-130-020	REP-P	97-09-084	180-75-060	REP	97-04-088
173-311-040	REP	97-18-048	174-130-020	REP	97-13-047	180-75-061	REP	97-04-088
173-311-050	PREP-X	97-13-040	174-133	PREP	97-05-044	180-75-065	REP	97-04-088
173-311-050	REP	97-18-048	174-133-020	AMD-P	97-09-084	180-75-070	REP	97-04-088
173-315-010	PREP-X	97-13-039	174-133-020	AMD	97-13-047	180-75-081	DECOD	97-04-082
173-315-010	REP	97-18-043	174-140	PREP	97-05-044	180-75-082	REP	97-04-088
173-315-020	PREP-X	97-13-039	174-140-010	NEW-P	97-09-084	180-75-083	DECOD	97-04-082
173-315-020	REP	97-18-043	174-140-010	NEW	97-13-047	180-75-085	REP	97-04-088
173-315-030	PREP-X	97-13-039	174-140-180	REP-P	97-09-084	180-75-087	REP	97-04-088
173-315-030	REP	97-18-043	174-140-180	REP	97-13-047	180-75-088	REP	97-04-088
173-315-040	PREP-X	97-13-039	174-140-190	REP-P	97-09-084	180-75-089	REP	97-04-088
173-315-040	REP	97-18-043	174-140-190	REP	97-13-047	180-75-090	REP	97-04-088
173-315-050	PREP-X	97-13-039	174-140-200	REP-P	97-09-084	180-75-091	REP	97-04-088
173-315-050	REP	97-18-043	174-140-200	REP	97-13-047	180-75-092	REP	97-04-088
173-315-060	PREP-X	97-13-039	174-140-210	REP-P	97-09-084	180-75-100	REP	97-04-088
173-315-060	REP	97-18-043	174-140-210	REP	97-13-047	180-75-110	REP	97-04-088
173-315-070	PREP-X	97-13-039	174-140-220	REP-P	97-09-084	180-77	PREP	97-10-016
173-315-070	REP	97-18-043	174-140-220	REP	97-13-047	180-77-003	AMD	97-04-085
173-318-010	PREP-X	97-13-038	174-140-230	REP-P	97-09-084	180-77-031	AMD	97-04-085
173-318-010	REP	97-18-044	174-140-230	REP	97-13-047	180-77-041	AMD	97-04-085
173-318-020	PREP-X	97-13-038	174-140-240	REP-P	97-09-084	180-77-120	AMD	97-04-085
173-318-020	REP	97-18-044	174-140-240	REP	97-13-047	180-77A-003	NEW	97-04-087
173-318-030	PREP-X	97-13-038	174-276	PREP	97-05-044	180-77A-004	NEW	97-04-087
173-318-030	REP	97-18-044	174-276	AMD-P	97-09-084	180-77A-006	NEW	97-04-087
173-318-040	PREP-X	97-13-038	174-276	AMD	97-13-047	180-77A-012	NEW	97-04-087
173-318-040	REP	97-18-044	174-276-005	NEW-P	97-09-084	180-77A-014	NEW	97-04-087
173-318-050	PREP-X	97-13-038	174-276-005	NEW	97-13-047	180-77A-016	NEW	97-04-087
173-318-050	REP	97-18-044	174-276-010	AMD-P	97-09-084	180-77A-018	NEW	97-04-087
173-318-060	PREP-X	97-13-038	174-276-010	AMD	97-13-047	180-77A-020	NEW	97-04-087
173-318-060	REP	97-18-044	174-276-040	AMD-P	97-09-084	180-77A-025	NEW	97-04-087
173-318-070	PREP-X	97-13-038	174-276-040	AMD	97-13-047	180-77A-026	NEW	97-04-087
173-318-070	REP	97-18-044	174-276-050	AMD-P	97-09-084	180-77A-028	NEW	97-04-087
173-318-080	PREP-X	97-13-038	174-276-050	AMD	97-13-047	180-77A-029	NEW	97-04-087
173-318-080	REP	97-18-044	174-276-060	AMD-P	97-09-084	180-77A-030	NEW	97-04-087
173-319-010	PREP-X	97-13-037	174-276-060	AMD	97-13-047	180-77A-033	NEW	97-04-087
173-319-010	REP	97-18-045	174-276-080	AMD-P	97-09-084	180-77A-037	NEW	97-04-087
173-319-020	PREP-X	97-13-037	174-276-080	AMD	97-13-047	180-77A-040	NEW	97-04-087
173-319-020	REP	97-18-045	174-276-090	AMD-P	97-09-084	180-77A-057	NEW	97-04-087
173-319-030	PREP-X	97-13-037	174-276-090	AMD	97-13-047	180-77A-165	NEW	97-04-087
173-319-030	REP	97-18-045	174-276-095	NEW-P	97-09-084	180-77A-170	NEW	97-04-087
173-319-040	PREP-X	97-13-037	174-276-095	NEW	97-13-047	180-77A-175	NEW	97-04-087
173-319-040	REP	97-18-045	180-16	PREP	97-10-014	180-77A-180	NEW	97-04-087
173-319-050	PREP-X	97-13-037	180-16-221	AMD	97-04-083	180-77A-195	NEW	97-04-087
173-319-050	REP	97-18-045	180-16-222	AMD	97-04-083	180-78-205	AMD	97-04-081
173-319-060	PREP-X	97-13-037	180-16-223	REP	97-04-083	180-78-207	RECOD	97-04-081
173-319-060	REP	97-18-045	180-16-224	REP	97-04-083	180-78-215	AMD	97-04-081
173-400-030	AMD-P	97-15-071	180-16-236	PREP	97-10-008	180-78-217	RECOD	97-04-081
173-400-110	AMD-P	97-15-071	180-24	PREP	97-09-032	180-78-235	AMD	97-04-081
173-401-735	AMD-P	97-04-061	180-24-410	AMD-P	97-13-096	180-78-237	RECOD	97-04-081
173-401-735	AMD	97-08-084	180-24-410	AMD-W	97-14-023	180-78-285	AMD	97-04-081
173-401-830	PREP-X	97-14-075	180-24-410	AMD-P	97-16-071	180-78A	PREP	97-10-007
173-430-040	AMD	97-03-021	180-24-415	AMD-P	97-13-096	180-78A	PREP	97-10-013
173-490	PREP	97-09-018	180-24-415	AMD-W	97-14-023	180-78A-003	NEW	97-04-084

TABLE

Table of WAC Sections Affected

WAC #	ACTION	WSR #	WAC #	ACTION	WSR #	WAC #	ACTION	WSR #
180-79A-382	NEW	97-04-088	180-110-055	REP	97-16-023	182-12-132	AMD-P	97-17-110
180-79A-384	NEW	97-04-088	180-110-060	REP-P	97-13-017	182-12-200	AMD-P	97-17-110
180-79A-386	NEW	97-04-088	180-110-060	REP	97-16-023	182-16-030	AMD-P	97-17-109
180-79A-388	NEW	97-04-088	180-110-065	REP-P	97-13-017	182-16-040	AMD-P	97-17-109
180-79A-390	NEW	97-04-088	180-110-065	REP	97-16-023	182-16-050	AMD-P	97-17-109
180-79A-392	NEW	97-04-088	180-115	PREP	97-05-026	182-18-005	REP-P	97-17-108
180-79A-394	NEW	97-04-088	180-115-005	REP-P	97-13-016	182-18-010	REP-P	97-17-108
180-79A-396	NEW	97-04-088	180-115-005	REP	97-16-024	182-18-020	REP-P	97-17-108
180-79A-398	NEW	97-04-088	180-115-010	REP-P	97-13-016	182-18-030	REP-P	97-17-108
180-79A-403	NEW	97-04-088	180-115-010	REP	97-16-024	182-18-040	REP-P	97-17-108
180-79A-405	NEW	97-04-088	180-115-015	REP-P	97-13-016	182-18-050	REP-P	97-17-108
180-79A-415	NEW	97-04-088	180-115-015	REP	97-16-024	182-18-060	REP-P	97-17-108
180-79A-417	NEW	97-04-088	180-115-020	REP-P	97-13-016	182-18-080	REP-P	97-17-108
180-79A-420	NEW	97-04-088	180-115-020	REP	97-16-024	182-18-090	REP-P	97-17-108
180-79A-422	NEW	97-04-088	180-115-025	REP-P	97-13-016	182-18-100	REP-P	97-17-108
180-79A-423	NEW	97-04-088	180-115-025	REP	97-16-024	182-18-110	REP-P	97-17-108
180-79A-424	NEW	97-04-088	180-115-030	REP-P	97-13-016	182-18-120	REP-P	97-17-108
180-79A-430	NEW	97-04-088	180-115-030	REP	97-16-024	182-18-130	REP-P	97-17-108
180-79A-433	NEW	97-04-088	180-115-035	REP-P	97-13-016	182-18-140	REP-P	97-17-108
180-79A-435	NEW	97-04-088	180-115-035	REP	97-16-024	182-18-150	REP-P	97-17-108
180-79A-440	NEW	97-04-088	180-115-040	REP-P	97-13-016	182-18-160	REP-P	97-17-108
180-79A-445	NEW	97-04-088	180-115-040	REP	97-16-024	182-25-010	AMD-P	97-08-067
180-79A-503	NEW	97-04-088	180-115-045	REP-P	97-13-016	182-25-010	AMD	97-15-003
180-79A-510	NEW	97-04-088	180-115-045	REP	97-16-024	182-25-010	PREP	97-18-033
180-79A-515	NEW	97-04-088	180-115-050	REP-P	97-13-016	182-25-020	AMD-P	97-08-067
180-79A-517	NEW	97-04-088	180-115-050	REP	97-16-024	182-25-020	AMD	97-15-003
180-79A-520	NEW	97-04-088	180-115-055	REP-P	97-13-016	182-25-020	PREP	97-18-033
180-85	PREP	97-10-011	180-115-055	REP	97-16-024	182-25-030	AMD-E	97-06-069
180-85-025	AMD	97-04-086	180-115-060	REP-P	97-13-016	182-25-030	AMD-P	97-08-067
180-85-030	AMD	97-04-086	180-115-060	REP	97-16-024	182-25-030	AMD-E	97-14-029
180-85-110	REP	97-04-086	180-115-065	REP-P	97-13-016	182-25-030	AMD	97-15-003
180-85-115	REP	97-04-086	180-115-065	REP	97-16-024	182-25-030	PREP	97-18-033
180-85-120	REP	97-04-086	180-115-075	REP-P	97-13-016	182-25-040	AMD-E	97-06-069
180-85-135	REP	97-04-086	180-115-075	REP	97-16-024	182-25-040	AMD-P	97-08-067
180-85-200	AMD	97-04-086	180-115-080	REP-P	97-13-016	182-25-040	AMD-E	97-14-029
180-85-210	AMD	97-04-086	180-115-080	REP	97-16-024	182-25-040	AMD	97-15-003
180-85-211	NEW	97-04-086	180-115-081	REP-P	97-13-016	182-25-040	PREP	97-18-033
180-85-215	AMD	97-04-086	180-115-081	REP	97-16-024	182-25-070	PREP	97-18-033
180-86-011	NEW	97-04-082	180-115-085	REP-P	97-13-016	182-25-080	PREP	97-18-033
180-86-013	RECOD	97-04-082	180-115-085	REP	97-16-024	182-25-090	AMD-E	97-06-069
180-86-014	RECOD	97-04-082	180-115-090	REP-P	97-13-016	182-25-090	AMD-P	97-08-067
180-86-080	NEW	97-05-008	180-115-090	REP	97-16-024	182-25-090	AMD-E	97-14-029
180-86-080	NEW-W	97-05-043	180-115-095	REP-P	97-13-016	182-25-090	AMD	97-15-003
180-86-086	NEW-W	97-05-043	180-115-095	REP	97-16-024	182-25-090	PREP	97-18-033
180-86-116	NEW	97-05-008	180-115-100	REP-P	97-13-016	182-25-090	PREP	97-18-033
180-86-116	NEW-W	97-05-043	180-115-100	REP	97-16-024	182-25-105	PREP	97-18-033
180-87-070	PREP	97-10-025	180-115-105	REP-P	97-13-016	192-12-042	PREP	97-16-011
180-87-070	AMD-P	97-16-092	180-115-105	REP	97-16-024	192-12-072	PREP	97-16-012
180-97	PREP	97-10-010	182-04-010	AMD-P	97-17-107	192-32	AMD-E	97-15-022
180-110	PREP	97-05-027	182-04-015	AMD-P	97-17-107	192-32	PREP	97-16-010
180-110-010	REP-P	97-13-017	182-04-025	AMD-P	97-17-107	192-32-001	AMD-E	97-15-022
180-110-010	REP	97-16-023	182-04-030	REP-P	97-17-107	192-32-010	AMD-E	97-15-022
180-110-015	REP-P	97-13-017	182-04-035	AMD-P	97-17-107	192-32-015	REP-E	97-15-022
180-110-015	REP	97-16-023	182-04-040	AMD-P	97-17-107	192-32-025	REP-E	97-15-022
180-110-017	REP-P	97-13-017	182-04-041	NEW-P	97-17-107	192-32-035	AMD-E	97-15-022
180-110-017	REP	97-16-023	182-04-045	AMD-P	97-17-107	192-32-045	AMD-E	97-15-022
180-110-020	REP-P	97-13-017	182-04-050	AMD-P	97-17-107	192-32-065	AMD-E	97-15-022
180-110-020	REP	97-16-023	182-04-055	AMD-P	97-17-107	192-32-095	AMD-E	97-15-022
180-110-030	REP-P	97-13-017	182-04-060	AMD-P	97-17-107	192-32-100	NEW-E	97-15-022
180-110-030	REP	97-16-023	182-04-065	REP-P	97-17-107	192-32-105	AMD-E	97-15-022
180-110-035	REP-P	97-13-017	182-04-070	AMD-P	97-17-107	192-32-120	REP-E	97-15-022
180-110-035	REP	97-16-023	182-08-095	AMD-P	97-17-106	192-32-125	REP-E	97-15-022
180-110-040	REP-P	97-13-017	182-08-160	AMD-E	97-06-071	192-32-130	NEW-E	97-15-022
180-110-040	REP	97-16-023	182-08-160	AMD-E	97-14-031	192-32-135	NEW-E	97-15-022
180-110-045	REP-P	97-13-017	182-08-160	AMD-P	97-17-106	192-33	PREP	97-16-010
180-110-045	REP	97-16-023	182-08-175	AMD-E	97-06-071	192-33-005	NEW-E	97-14-022
180-110-050	REP-P	97-13-017	182-08-175	AMD-E	97-14-031	192-33-006	NEW-E	97-14-022
180-110-050	REP	97-16-023	182-08-175	AMD-P	97-17-106	196-12-010	PREP	97-03-029
180-110-052	REP-P	97-13-017	182-12-111	AMD-P	97-17-110	196-12-020	PREP	97-03-029
180-110-052	REP	97-16-023	182-12-117	AMD-E	97-06-070	196-12-030	PREP	97-03-029
180-110-053	REP-P	97-13-017	182-12-117	AMD-E	97-14-030	196-12-050	PREP	97-03-029
180-110-053	REP	97-16-023	182-12-117	AMD-P	97-17-110	196-12-060	PREP	97-03-029
180-110-055	REP-P	97-13-017	182-12-119	AMD-P	97-17-110	196-24-030	PREP	97-03-029

Table of WAC Sections Affected

WAC #	ACTION	WSR #	WAC #	ACTION	WSR #	WAC #	ACTION	WSR #
196-24-040	PREP	97-03-029	204-72-040	PREP	97-06-100	212-17-21505	RESCIND	97-11-041
196-24-050	PREP	97-03-029	204-72-040	AMD-P	97-09-069	212-17-21505	NEW-E	97-11-041
196-24-085	PREP	97-03-029	204-72-040	AMD	97-12-061	212-17-21505	RESCIND	97-14-019
196-24-100	PREP	97-03-029	204-90	PREP	97-17-059	212-17-21505	NEW-E	97-14-019
196-24-105	PREP	97-03-029	204-90-040	AMD	97-04-055	212-17-21505	NEW-P	97-16-120
197-11	PREP	97-03-130	204-91A-060	AMD-S	97-04-053	212-17-21507	NEW-E	97-11-023
197-11	AMD-C	97-15-129	204-91A-060	AMD-E	97-04-056	212-17-21507	RESCIND	97-11-041
197-11-055	AMD-P	97-08-085	204-91A-060	AMD	97-08-021	212-17-21507	NEW-E	97-11-041
197-11-060	AMD-P	97-08-085	204-91A-140	AMD-S	97-04-053	212-17-21507	RESCIND	97-14-019
197-11-070	AMD-P	97-08-085	204-91A-140	AMD-E	97-04-056	212-17-21507	NEW-E	97-14-019
197-11-158	NEW-P	97-08-085	204-91A-140	AMD	97-08-021	212-17-21507	NEW-P	97-16-120
197-11-164	NEW-P	97-08-085	204-95-030	NEW	97-03-127	212-17-21509	NEW-E	97-11-023
197-11-168	NEW-P	97-08-085	204-95-080	NEW	97-03-127	212-17-21509	RESCIND	97-11-041
197-11-172	NEW-P	97-08-085	208-440-030	AMD-W	97-03-074	212-17-21509	NEW-E	97-11-041
197-11-210	AMD-P	97-08-085	208-630-020	AMD-P	97-06-092	212-17-21509	RESCIND	97-14-019
197-11-238	NEW-P	97-08-085	208-630-020	AMD	97-09-035	212-17-21509	RESCIND	97-14-019
197-11-259	AMD-P	97-08-085	208-630-021	NEW-P	97-06-092	212-17-21509	NEW-P	97-16-120
197-11-300	AMD-P	97-08-085	208-630-021	NEW	97-09-035	212-17-21511	NEW-E	97-11-023
197-11-310	AMD-P	97-08-085	208-630-022	NEW-P	97-06-092	212-17-21511	RESCIND	97-11-041
197-11-315	AMD-P	97-08-085	208-630-022	NEW	97-09-035	212-17-21511	NEW-E	97-11-041
197-11-330	AMD-P	97-08-085	208-630-023	NEW-P	97-06-092	212-17-21511	RESCIND	97-14-019
197-11-340	AMD-P	97-08-085	208-630-023	NEW	97-09-035	212-17-21511	NEW-E	97-14-019
197-11-355	NEW-P	97-08-085	208-680D-050	AMD-W	97-04-071	212-17-21511	NEW-P	97-16-120
197-11-390	AMD-P	97-08-085	212-17	PREP	97-05-028	212-17-21511	NEW-E	97-11-023
197-11-408	AMD-P	97-08-085	212-17	PREP	97-13-073	212-17-21513	RESCIND	97-14-019
197-11-502	AMD-P	97-08-085	212-17-185	AMD-E	97-11-023	212-17-21513	NEW-E	97-14-019
197-11-508	AMD-P	97-08-085	212-17-185	RESCIND	97-11-041	212-17-21513	NEW-P	97-16-120
197-11-535	AMD-P	97-08-085	212-17-185	AMD-E	97-11-041	212-17-21515	NEW-E	97-11-023
197-11-600	AMD-P	97-08-085	212-17-185	RESCIND	97-14-019	212-17-21515	RESCIND	97-11-041
197-11-660	AMD-P	97-08-085	212-17-185	AMD-E	97-14-019	212-17-21515	NEW-E	97-11-041
197-11-680	AMD-P	97-08-085	212-17-185	AMD-P	97-16-120	212-17-21515	RESCIND	97-14-019
197-11-702	AMD-P	97-08-085	212-17-190	REP-E	97-11-023	212-17-21515	NEW-E	97-14-019
197-11-721	NEW-P	97-08-085	212-17-190	RESCIND	97-11-041	212-17-21515	NEW-P	97-16-120
197-11-728	AMD-P	97-08-085	212-17-190	REP-E	97-11-041	212-17-21517	NEW-E	97-11-041
197-11-775	NEW-P	97-08-085	212-17-190	RESCIND	97-14-019	212-17-21517	RESCIND	97-14-019
197-11-790	AMD-P	97-08-085	212-17-190	REP-E	97-14-019	212-17-21517	NEW-E	97-14-019
197-11-800	AMD-P	97-08-085	212-17-195	REP-E	97-11-023	212-17-21517	NEW-P	97-16-120
197-11-912	AMD-P	97-08-085	212-17-195	RESCIND	97-11-041	212-17-21517	NEW-E	97-11-023
197-11-914	AMD-P	97-08-085	212-17-195	REP-E	97-11-041	212-17-21519	RESCIND	97-11-041
197-11-938	AMD-P	97-08-085	212-17-195	RESCIND	97-14-019	212-17-21519	NEW-E	97-11-041
197-11-940	AMD-P	97-08-085	212-17-195	REP-E	97-14-019	212-17-21519	RESCIND	97-14-019
197-11-948	AMD-P	97-08-085	212-17-200	REP-E	97-11-023	212-17-21519	NEW-E	97-14-019
197-11-970	AMD-P	97-08-085	212-17-200	RESCIND	97-11-041	212-17-21519	NEW-P	97-16-120
204-10-035	NEW	97-03-042	212-17-200	REP-E	97-11-041	212-17-21521	NEW-E	97-11-023
204-10-045	PREP	97-07-036	212-17-200	RESCIND	97-14-019	212-17-21521	RESCIND	97-11-041
204-10-045	NEW-P	97-10-024	212-17-200	REP-E	97-14-019	220-12-01000B	NEW-E	97-15-108
204-10-045	NEW	97-10-024	212-17-203	REP-E	97-11-023	220-16-470	NEW-P	97-15-147
204-41-060	PREP	97-03-043	212-17-203	RESCIND	97-11-041	220-16-470	NEW	97-18-035
204-41-060	NEW-P	97-07-037	212-17-203	REP-E	97-11-041	220-16-47000A	NEW-E	97-14-052
204-41-060	NEW	97-10-023	212-17-203	RESCIND	97-14-019	220-16-47000A	REP-E	97-14-052
204-48-010	PREP-X	97-14-041	212-17-203	REP-E	97-14-019	220-20-020	AMD-P	97-04-080
204-48-010	REP	97-17-061	212-17-203	REP-E	97-11-023	220-20-020	AMD	97-07-043
204-48-020	PREP-X	97-14-041	212-17-205	REP-E	97-11-041	220-20-021	AMD-P	97-04-080
204-48-020	REP	97-17-061	212-17-205	RESCIND	97-11-041	220-20-021	AMD	97-07-043
204-48-030	PREP-X	97-14-041	212-17-205	REP-E	97-14-019	220-20-038	AMD	97-08-078
204-48-030	REP	97-17-061	212-17-205	REP-E	97-14-019	220-24-02000D	NEW-E	97-10-029
204-48-040	PREP-X	97-14-041	212-17-210	REP-E	97-11-023	220-24-02000D	REP-E	97-10-029
204-48-040	REP	97-17-061	212-17-210	RESCIND	97-11-041	220-32-05100A	NEW-E	97-18-060
204-60	AMD	97-04-054	212-17-210	REP-E	97-11-041	220-32-05100A	REP-E	97-18-060
204-60-010	AMD	97-04-054	212-17-210	RESCIND	97-14-019	220-32-05100X	NEW-E	97-04-046
204-60-030	AMD	97-04-054	212-17-210	REP-E	97-14-019	220-32-05100X	REP-E	97-04-046
204-64-010	PREP-X	97-14-040	212-17-215	REP-E	97-11-023	220-32-05100X	REP-E	97-07-044
204-64-010	REP	97-17-060	212-17-215	RESCIND	97-11-041	220-32-05100Y	NEW-E	97-07-044
204-64-020	PREP-X	97-14-040	212-17-215	REP-E	97-11-041	220-32-05100Z	NEW-E	97-17-073
204-64-020	REP	97-17-060	212-17-215	RESCIND	97-14-019	220-32-05100Z	REP-E	97-17-073
204-64-040	PREP-X	97-14-040	212-17-215	REP-E	97-14-019	220-32-05500B	NEW-E	97-08-007
204-64-040	REP	97-17-060	212-17-21503	NEW-E	97-11-023	220-32-05500B	REP-E	97-08-007
204-64-060	PREP-X	97-14-040	212-17-21503	RESCIND	97-11-041	220-32-05500B	REP-E	97-12-036
204-64-060	REP	97-17-060	212-17-21503	NEW-E	97-11-041	220-32-05500C	NEW-E	97-12-036
204-64-080	PREP-X	97-14-040	212-17-21503	RESCIND	97-14-019	220-32-05500C	REP-E	97-12-036
204-64-080	REP	97-17-060	212-17-21503	NEW-E	97-14-019	220-32-05500C	REP-E	97-12-069
204-64-100	PREP-X	97-14-040	212-17-21503	NEW-P	97-16-120	220-32-05500D	NEW-E	97-12-069
204-64-100	REP	97-17-060	212-17-21505	NEW-E	97-11-023	220-32-05500D	REP-E	97-12-069

TABLE

Table of WAC Sections Affected

WAC #	ACTION	WSR #	WAC #	ACTION	WSR #	WAC #	ACTION	WSR #
220-32-05500D	REP-E	97-13-007	220-47-325	NEW	97-16-030	220-56-103	AMD	97-07-078
220-32-05500E	NEW-E	97-13-007	220-47-326	NEW-P	97-09-096	220-56-105	AMD	97-07-078
220-32-05500E	REP-E	97-13-007	220-47-326	NEW	97-16-032	220-56-115	AMD-W	97-10-075
220-32-05500E	REP-E	97-13-029	220-47-401	AMD-P	97-09-104	220-56-11800A	NEW-E	97-15-108
220-32-05500F	NEW-E	97-13-029	220-47-401	AMD	97-16-030	220-56-124	AMD-P	97-15-147
220-32-05500F	REP-E	97-13-049	220-47-410	NEW-P	97-09-104	220-56-124	AMD	97-18-035
220-32-05500G	NEW-E	97-13-049	220-47-410	NEW	97-16-030	220-56-128	AMD	97-07-078
220-32-05500G	REP-E	97-14-035	220-47-411	AMD-P	97-09-104	220-56-12800A	NEW-E	97-10-043
220-32-05500H	NEW-E	97-14-035	220-47-411	AMD	97-16-030	220-56-180	AMD	97-07-078
220-32-05500H	REP-E	97-15-007	220-47-427	AMD-P	97-09-104	220-56-18000A	NEW-E	97-15-080
220-32-05500I	NEW-E	97-15-007	220-47-427	AMD	97-16-030	220-56-190	AMD-P	97-15-147
220-32-05500I	REP-E	97-15-118	220-47-427	AMD	97-16-030	220-56-190	AMD	97-18-035
220-32-05500J	NEW-E	97-15-118	220-47-428	AMD-P	97-09-104	220-56-19000I	NEW-E	97-14-052
220-32-05500J	REP-E	97-17-072	220-47-428	AMD	97-16-030	220-56-19000I	REP-E	97-14-052
220-32-05500K	NEW-E	97-17-072	220-47-800	NEW-E	97-15-006	220-56-19000I	REP-E	97-15-119
220-32-05500K	NEW-E	97-17-072	220-47-801	NEW-E	97-15-006	220-56-19000J	NEW-E	97-15-119
220-32-05700U	REP-E	97-03-002	220-47-801	REP-E	97-15-026	220-56-19000J	REP-E	97-16-002
220-32-05700U	NEW-E	97-03-002	220-47-802	NEW-E	97-15-095	220-56-19000K	NEW-E	97-16-002
220-32-05700V	REP-E	97-09-009	220-47-802	REP-E	97-16-003	220-56-19000K	REP-E	97-16-067
220-32-05700V	NEW-E	97-09-009	220-47-803	NEW-E	97-16-003	220-56-19000L	NEW-E	97-16-067
220-32-05700V	REP-E	97-13-048	220-47-803	REP-E	97-16-031	220-56-19000L	REP-E	97-17-012
220-32-05700W	NEW-E	97-13-048	220-47-804	NEW-E	97-16-031	220-56-19000M	NEW-E	97-17-012
220-32-05700W	REP-E	97-13-048	220-47-804	REP-E	97-16-068	220-56-19000M	REP-E	97-17-031
220-32-05700W	REP-E	97-14-020	220-47-805	NEW-E	97-16-068	220-56-19000N	NEW-E	97-17-031
220-33-01000M	NEW-E	97-04-013	220-47-805	REP-E	97-17-003	220-56-19000N	REP-E	97-18-055
220-33-01000M	REP-E	97-04-013	220-47-806	NEW-E	97-17-003	220-56-19000P	NEW-E	97-18-055
220-33-01000N	NEW-E	97-05-042	220-47-806	REP-E	97-17-019	220-56-19000P	NEW-E	97-18-055
220-33-01000P	NEW-E	97-16-075	220-47-807	NEW-E	97-17-019	220-56-191	AMD-P	97-15-147
220-33-01000P	REP-E	97-16-075	220-47-807	REP-E	97-17-032	220-56-191	AMD	97-18-035
220-33-01000Q	NEW-E	97-17-074	220-47-807	REP-E	97-17-032	220-56-19100V	NEW-E	97-09-068
220-33-01000Q	REP-E	97-17-074	220-47-808	NEW-E	97-17-032	220-56-19100V	REP-E	97-14-052
220-33-01000Q	REP-E	97-18-013	220-47-808	REP-E	97-17-057	220-56-19100W	NEW-E	97-14-052
220-33-01000R	NEW-E	97-18-013	220-47-809	NEW-E	97-17-057	220-56-19100W	REP-E	97-14-052
220-33-020	AMD-P	97-04-080	220-47-809	REP-E	97-18-012	220-56-19100W	REP-E	97-17-025
220-33-020	AMD	97-07-043	220-47-810	NEW-E	97-18-012	220-56-19100X	NEW-E	97-17-025
220-33-03000K	NEW-E	97-11-045	220-47-810	REP-E	97-18-018	220-56-19100X	NEW-E	97-17-025
220-33-03000K	REP-E	97-11-045	220-47-811	NEW-E	97-18-018	220-56-195	AMD-P	97-15-147
220-33-04000C	NEW-E	97-04-014	220-47-811	REP-E	97-18-059	220-56-195	AMD	97-18-035
220-33-04000C	REP-E	97-05-041	220-47-812	NEW-E	97-18-059	220-56-19500B	NEW-E	97-09-068
220-33-04000D	NEW-E	97-05-041	220-48-015	AMD	97-07-053	220-56-19500B	REP-E	97-14-052
220-36-021	AMD-P	97-09-097	220-48-01500C	NEW-E	97-17-018	220-56-19500C	NEW-E	97-14-052
220-36-021	AMD	97-15-148	220-48-06100A	NEW-E	97-15-108	220-56-19500C	REP-E	97-14-052
220-36-02100M	NEW-E	97-16-058	220-49-02000J	NEW-E	97-14-086	220-56-205	AMD	97-07-078
220-36-023	AMD-P	97-09-097	220-49-02000J	REP-E	97-14-086	220-56-205	AMD-P	97-15-147
220-36-023	AMD	97-15-148	220-52-03000K	NEW-E	97-07-050	220-56-205	AMD	97-18-035
220-40-021	AMD-P	97-09-097	220-52-03000K	REP-E	97-07-050	220-56-20500B	NEW-E	97-14-052
220-40-021	AMD	97-15-148	220-52-040	AMD	97-08-052	220-56-20500B	REP-E	97-14-052
220-40-02100V	NEW-E	97-16-058	220-52-04000D	NEW-E	97-05-029	220-56-225	AMD-C	97-07-052
220-40-027	AMD-P	97-09-097	220-52-046	AMD	97-08-052	220-56-225	AMD	97-09-066
220-40-027	AMD	97-15-148	220-52-04600T	NEW-E	97-05-029	220-56-235	AMD	97-07-078
220-40-02700P	NEW-E	97-16-058	220-52-04600T	REP-E	97-06-054	220-56-240	AMD	97-08-017
220-40-02700P	REP-E	97-18-067	220-52-050	NEW-E	97-06-054	220-56-240	AMD-W	97-14-079
220-40-02700Q	NEW-E	97-18-067	220-52-07100A	AMD-W	97-14-080	220-56-24000A	NEW-E	97-15-108
220-40-02700Q	REP-E	97-18-067	220-52-07100A	NEW-E	97-14-028	220-56-24000A	NEW-E	97-15-108
220-44-05000E	REP-E	97-10-021	220-52-07100A	REP-E	97-15-023	220-56-24000A	REP-E	97-18-055
220-44-05000F	NEW-E	97-10-021	220-52-07100B	NEW-E	97-15-023	220-56-24000B	NEW-E	97-18-055
220-44-05000F	REP-E	97-14-054	220-52-07100B	REP-E	97-15-117	220-56-24000F	REP-E	97-03-001
220-44-05000G	NEW-E	97-14-054	220-52-07100C	NEW-E	97-15-117	220-56-24000G	NEW-E	97-03-001
220-44-05000G	REP-E	97-14-054	220-52-07100C	REP-E	97-16-016	220-56-255	AMD	97-07-078
220-44-05000G	REP-E	97-18-005	220-52-07100D	NEW-E	97-16-016	220-56-25500E	NEW-E	97-11-031
220-44-05000H	NEW-E	97-18-005	220-52-07100D	REP-E	97-16-069	220-56-25500E	REP-E	97-11-061
220-47-301	AMD-P	97-09-104	220-52-07100E	NEW-E	97-16-069	220-56-25500F	NEW-E	97-11-061
220-47-301	AMD	97-16-030	220-52-07300L	REP-E	97-03-045	220-56-25500F	REP-E	97-16-057
220-47-302	AMD-P	97-09-104	220-52-07300M	NEW-E	97-03-045	220-56-25500G	NEW-E	97-16-057
220-47-302	AMD	97-16-030	220-52-07300M	REP-E	97-03-101	220-56-27000A	NEW-E	97-06-035
220-47-304	AMD-P	97-09-104	220-52-07300N	NEW-E	97-03-101	220-56-28500I	NEW-E	97-06-036
220-47-304	AMD	97-16-030	220-52-07300N	REP-E	97-04-011	220-56-28500I	REP-E	97-06-036
220-47-307	AMD-P	97-09-104	220-52-07300P	NEW-E	97-04-011	220-56-28500J	NEW-E	97-09-001
220-47-307	AMD	97-16-030	220-52-07300P	REP-E	97-04-049	220-56-28500K	NEW-E	97-10-063
220-47-311	AMD-P	97-09-104	220-52-07300Q	NEW-E	97-04-049	220-56-28500L	NEW-E	97-14-053
220-47-311	AMD	97-16-030	220-52-07300Q	REP-E	97-05-025	220-56-28500L	REP-E	97-18-034
220-47-319	AMD-P	97-09-104	220-52-07300R	NEW-E	97-05-025	220-56-28500M	NEW-E	97-18-034
220-47-319	AMD	97-16-030	220-52-075	AMD	97-08-052	220-56-305	AMD	97-08-018
220-47-325	NEW-P	97-09-096	220-56	AMD-C	97-05-075	220-56-305	AMD-W	97-10-075
			220-56-100	AMD	97-07-078	220-56-310	AMD	97-07-078
						220-56-31000N	REP-E	97-05-011

Table of WAC Sections Affected

WAC #	ACTION	WSR #	WAC #	ACTION	WSR #	WAC #	ACTION	WSR #
220-56-31000P	NEW-E	97-05-011	220-57-18700A	REP-E	97-14-052	220-57-37700A	REP-E	97-14-052
220-56-31000P	REP-E	97-10-065	220-57-190	AMD-P	97-15-147	220-57-385	AMD-P	97-15-147
220-56-315	AMD-W	97-10-075	220-57-190	AMD	97-18-035	220-57-385	AMD	97-18-035
220-56-320	AMD	97-07-078	220-57-19000A	NEW-E	97-14-052	220-57-38500A	NEW-E	97-14-052
220-56-325	AMD	97-07-078	220-57-19000A	REP-E	97-14-052	220-57-38500A	REP-E	97-14-052
220-56-32500L	NEW-E	97-09-033	220-57-200	AMD-P	97-15-147	220-57-38500Z	NEW-E	97-09-068
220-56-32500M	NEW-E	97-10-070	220-57-200	AMD	97-18-035	220-57-38500Z	REP-E	97-14-052
220-56-32500M	REP-E	97-12-037	220-57-20000L	NEW-E	97-14-052	220-57-415	AMD-P	97-15-147
220-56-32500N	NEW-E	97-11-011	220-57-20000L	REP-E	97-14-052	220-57-415	AMD	97-18-035
220-56-32500P	NEW-E	97-12-037	220-57-230	AMD-P	97-15-147	220-57-41500A	NEW-E	97-14-052
220-56-32500P	REP-E	97-12-037	220-57-230	AMD	97-18-035	220-57-41500A	REP-E	97-14-052
220-56-32500Q	NEW-E	97-17-011	220-57-23000H	NEW-E	97-14-052	220-57-425	AMD-P	97-15-147
220-56-330	AMD	97-07-078	220-57-23000H	REP-E	97-14-052	220-57-425	AMD	97-18-035
220-56-336	NEW	97-07-078	220-57-235	AMD-P	97-15-147	220-57-42500C	NEW-E	97-14-052
220-56-350	AMD	97-07-078	220-57-235	AMD	97-18-035	220-57-42500C	REP-E	97-14-052
220-56-35000P	NEW-E	97-12-009	220-57-23500I	NEW-E	97-14-052	220-57-430	AMD-P	97-15-147
220-56-35000P	REP-E	97-17-006	220-57-23500I	REP-E	97-14-052	220-57-430	AMD	97-18-035
220-56-35000Q	NEW-E	97-17-006	220-57-240	AMD-P	97-15-147	220-57-43000H	NEW-E	97-14-052
220-56-355	AMD	97-07-078	220-57-240	AMD	97-18-035	220-57-43000H	REP-E	97-14-052
220-56-36000T	NEW-E	97-04-045	220-57-250	AMD-P	97-15-147	220-57-435	AMD-P	97-15-147
220-56-36000T	REP-E	97-04-045	220-57-250	AMD	97-18-035	220-57-435	AMD	97-18-035
220-56-36000U	NEW-E	97-07-051	220-57-25000A	NEW-E	97-12-035	220-57-43500K	NEW-E	97-14-052
220-56-36000U	REP-E	97-07-051	220-57-25000A	REP-E	97-14-052	220-57-43500K	REP-E	97-14-052
220-56-375	AMD	97-07-078	220-57-25000C	NEW-E	97-14-052	220-57-450	AMD-P	97-17-105
220-56-380	AMD	97-07-078	220-57-25000C	REP-E	97-14-052	220-57-455	AMD-P	97-17-105
220-56-38000J	NEW-E	97-17-006	220-57-255	AMD-P	97-15-147	220-57-460	AMD-P	97-15-147
220-56-38000K	NEW-E	97-18-061	220-57-255	AMD	97-18-035	220-57-460	AMD	97-18-035
220-56-38000K	REP-E	97-18-061	220-57-25500B	NEW-E	97-14-052	220-57-46000D	NEW-E	97-09-068
220-57	AMD-C	97-05-075	220-57-25500B	REP-E	97-14-052	220-57-46000D	REP-E	97-14-052
220-57-12700A	NEW-E	97-18-055	220-57-270	AMD-P	97-15-147	220-57-46000E	NEW-E	97-14-052
220-57-130	AMD-P	97-15-147	220-57-270	AMD	97-18-035	220-57-46000E	REP-E	97-14-052
220-57-130	AMD	97-18-035	220-57-27000C	NEW-E	97-09-068	220-57-465	AMD-P	97-15-147
220-57-13000V	NEW-E	97-14-052	220-57-27000C	REP-E	97-14-052	220-57-465	AMD	97-18-035
220-57-13000V	REP-E	97-14-052	220-57-27000D	NEW-E	97-14-052	220-57-46500H	NEW-E	97-14-052
220-57-135	AMD-P	97-15-147	220-57-27000D	REP-E	97-14-052	220-57-46500H	REP-E	97-14-052
220-57-135	AMD	97-18-035	220-57-27000D	REP-E	97-17-005	220-57-480	AMD-P	97-15-147
220-57-13500T	NEW-E	97-14-052	220-57-27000E	NEW-E	97-17-005	220-57-480	AMD	97-18-035
220-57-13500T	REP-E	97-14-052	220-57-27000E	REP-E	97-17-005	220-57-48000A	NEW-E	97-12-035
220-57-137	AMD-P	97-15-147	220-57-280	AMD-P	97-15-147	220-57-48000A	REP-E	97-14-052
220-57-137	AMD	97-18-035	220-57-280	AMD	97-18-035	220-57-48000B	NEW-E	97-14-052
220-57-13701	NEW-P	97-15-147	220-57-28000L	NEW-E	97-14-052	220-57-48000B	REP-E	97-14-052
220-57-13701	NEW	97-18-035	220-57-28000L	REP-E	97-14-052	220-57-493	NEW-P	97-15-147
220-57-13700D	NEW-E	97-14-052	220-57-285	AMD-P	97-15-147	220-57-493	NEW	97-18-035
220-57-13700D	REP-E	97-14-052	220-57-285	AMD	97-18-035	220-57-49300A	NEW-E	97-14-052
220-57-140	AMD-P	97-15-147	220-57-28500Q	NEW-E	97-14-052	220-57-49300A	REP-E	97-14-052
220-57-140	AMD	97-18-035	220-57-28500Q	REP-E	97-14-052	220-57-495	AMD-P	97-15-147
220-57-14000R	NEW-E	97-09-068	220-57-29000U	NEW-E	97-09-008	220-57-495	AMD	97-18-035
220-57-14000R	REP-E	97-14-052	220-57-300	AMD-P	97-15-147	220-57-49500C	NEW-E	97-14-052
220-57-14000S	NEW-E	97-14-052	220-57-300	AMD	97-18-035	220-57-49500C	REP-E	97-14-052
220-57-14000S	REP-E	97-14-052	220-57-30000A	NEW-E	97-14-052	220-57-50500Z	NEW-E	97-08-048
220-57-155	AMD-P	97-15-147	220-57-30000A	REP-E	97-14-052	220-57-51500M	NEW-E	97-08-048
220-57-155	AMD	97-18-035	220-57-310	AMD-P	97-15-147	220-57-525	AMD-P	97-15-147
220-57-15500B	NEW-E	97-09-068	220-57-310	AMD	97-18-035	220-57-525	AMD	97-18-035
220-57-15500B	REP-E	97-14-052	220-57-31000U	NEW-E	97-06-036	220-57-52500L	NEW-E	97-14-052
220-57-15500D	NEW-E	97-14-052	220-57-31000V	NEW-E	97-14-052	220-57-52500L	REP-E	97-14-052
220-57-15500D	REP-E	97-14-052	220-57-31000V	REP-E	97-14-052	220-57A-145	AMD-P	97-15-147
220-57-160	AMD	97-07-078	220-57-31500C	NEW-E	97-08-048	220-57A-145	AMD	97-18-035
220-57-160	AMD-P	97-15-147	220-57-31500C	REP-E	97-09-001	220-57A-175	AMD-P	97-15-147
220-57-160	AMD	97-18-035	220-57-31500D	NEW-E	97-09-001	220-57A-175	AMD	97-18-035
220-57-16000H	NEW-E	97-06-036	220-57-319	AMD-P	97-15-147	220-69-240	AMD	97-08-052
220-57-16000I	NEW-E	97-09-008	220-57-319	AMD	97-18-035	220-69-24000F	NEW-E	97-14-028
220-57-16000J	NEW-E	97-14-052	220-57-31900M	NEW-E	97-09-008	220-72-002	AMD	97-08-078
220-57-16000J	REP-E	97-14-052	220-57-31900M	REP-E	97-12-035	220-72-011	NEW	97-08-078
220-57-165	AMD-P	97-17-105	220-57-31900N	NEW-E	97-12-035	220-72-013	REP	97-08-078
220-57-16500A	NEW-E	97-14-052	220-57-31900N	REP-E	97-14-052	220-72-015	NEW	97-08-078
220-57-16500A	REP-E	97-14-052	220-57-31900P	NEW-E	97-14-052	220-72-016	REP	97-08-078
220-57-175	AMD-P	97-15-147	220-57-31900P	REP-E	97-14-052	220-72-019	REP	97-08-078
220-57-175	AMD	97-18-035	220-57-32100B	NEW-E	97-08-048	220-72-022	REP	97-08-078
220-57-17500G	NEW-E	97-06-036	220-57-370	AMD-P	97-15-147	220-72-025	REP	97-08-078
220-57-17500H	NEW-E	97-14-052	220-57-370	AMD	97-18-035	220-72-028	REP	97-08-078
220-57-17500H	REP-E	97-14-052	220-57-37000G	NEW-E	97-14-052	220-72-031	REP	97-08-078
220-57-187	NEW-P	97-17-105	220-57-37000G	REP-E	97-14-052	220-72-034	REP	97-08-078
220-57-18700A	NEW-E	97-14-052	220-57-37700A	NEW-E	97-09-068	220-72-037	REP	97-08-078

Table of WAC Sections Affected

WAC #	ACTION	WSR #	WAC #	ACTION	WSR #	WAC #	ACTION	WSR #
220-72-040	REP	97-08-078	220-110-337	NEW-P	97-07-077	230-04-190	AMD-P	97-09-076
220-72-043	REP	97-08-078	220-110-337	NEW	97-13-001	230-04-190	AMD	97-14-013
220-72-046	REP	97-08-078	220-110-338	NEW-P	97-07-077	230-04-202	AMD-P	97-09-077
220-72-049	REP	97-08-078	220-110-338	NEW	97-13-001	230-04-202	AMD	97-14-012
220-72-052	REP	97-08-078	220-130-020	AMD-W	97-09-040	230-04-203	AMD-P	97-09-077
220-72-055	REP	97-08-078	220-130-070	AMD-W	97-09-040	230-04-203	AMD	97-14-012
220-72-058	REP	97-08-078	220-140-010	AMD-W	97-09-040	230-04-260	AMD-P	97-09-076
220-72-061	REP	97-08-078	220-140-010	AMD-W	97-14-078	230-04-260	AMD	97-14-013
220-72-064	REP	97-08-078	220-140-040	NEW-W	97-09-040	230-08-017	AMD-P	97-09-077
220-72-067	REP	97-08-078	220-140-040	NEW-W	97-14-078	230-08-017	AMD	97-14-012
220-72-070	AMD	97-08-078	222-10-042	NEW-S	97-08-077	230-08-025	AMD-P	97-18-031
220-72-073	AMD	97-08-078	222-10-042	NEW-S	97-11-074	230-08-040	AMD-P	97-09-077
220-72-076	AMD	97-08-078	222-10-042	NEW	97-15-105	230-08-040	AMD	97-14-012
220-72-082	REP	97-08-078	222-12-090	AMD-E	97-07-054	230-08-060	AMD-P	97-03-093
220-72-085	AMD	97-08-078	222-12-090	AMD-S	97-08-077	230-08-060	AMD	97-09-073
220-72-088	REP	97-08-078	222-12-090	AMD-S	97-11-074	230-08-270	NEW-P	97-09-077
220-72-091	REP	97-08-078	222-12-090	AMD-P	97-15-042	230-08-270	NEW	97-14-012
220-72-094	REP	97-08-078	222-12-090	AMD-E	97-15-070	230-12-200	REP-P	97-11-018
220-77-020	AMD	97-08-078	222-12-090	AMD	97-15-105	230-12-215	AMD-W	97-08-071
220-77-040	AMD	97-08-078	222-16-010	AMD-S	97-08-077	230-12-220	REP-P	97-18-031
220-77-065	NEW	97-08-078	222-16-010	AMD-E	97-10-005	230-12-223	NEW-P	97-18-031
220-88A-070	AMD	97-08-052	222-16-010	AMD-S	97-11-074	230-12-225	AMD-P	97-18-031
220-88A-07000J	NEW-E	97-09-044	222-16-010	AMD	97-15-105	230-12-230	AMD-P	97-03-093
220-88A-07000J	REP-E	97-09-067	222-16-030	PREP	97-05-033	230-12-230	AMD	97-09-073
220-88A-07000K	NEW-E	97-09-067	222-16-030	AMD-E	97-07-054	230-12-230	AMD-P	97-09-074
220-88A-07000K	REP-E	97-10-044	222-16-030	AMD-P	97-15-042	230-12-300	NEW-P	97-18-031
220-88A-07000L	NEW-E	97-10-044	222-16-030	AMD-E	97-15-070	230-12-315	NEW-P	97-09-077
220-88A-07000L	REP-E	97-10-081	222-16-080	AMD-S	97-08-077	230-12-315	NEW	97-14-012
220-88A-07000M	NEW-E	97-10-081	222-16-080	AMD-E	97-10-005	230-12-320	NEW-P	97-11-017
220-88A-07000M	REP-E	97-11-030	222-16-080	AMD-S	97-11-074	230-12-330	NEW-P	97-11-017
220-88A-07000N	NEW-E	97-11-030	222-16-080	AMD	97-15-105	230-12-340	NEW-P	97-11-017
220-88A-07000N	REP-E	97-11-046	222-16-081	NEW-W	97-09-041	230-12-350	NEW-P	97-11-017
220-88A-07000P	NEW-E	97-11-046	222-16-087	NEW-S	97-08-077	230-20-060	AMD-P	97-09-076
220-88A-07000P	REP-E	97-13-056	222-16-087	NEW-S	97-11-074	230-20-060	AMD	97-14-013
220-88A-07000Q	NEW-E	97-13-056	222-16-087	NEW	97-15-105	230-20-062	AMD-P	97-09-076
220-88A-080	AMD	97-08-052	222-16-100	AMD-S	97-11-074	230-20-062	AMD	97-14-013
220-88A-08000J	NEW-E	97-09-044	222-16-100	AMD	97-15-105	230-20-070	AMD-P	97-05-060
220-88A-08000J	REP-E	97-11-046	222-16-105	AMD-S	97-11-074	230-20-070	AMD	97-11-020
220-88A-08000K	NEW-E	97-11-046	222-16-105	NEW	97-15-105	230-20-115	AMD-P	97-03-092
220-88A-08000K	REP-E	97-15-024	222-24-030	AMD-S	97-08-077	230-20-115	AMD	97-09-072
220-88A-08000L	NEW-E	97-15-024	222-24-030	AMD-S	97-11-074	230-20-192	AMD-P	97-15-093
220-88A-08000L	REP-E	97-15-054	222-24-030	AMD	97-15-105	230-20-240	AMD	97-05-056
220-88A-08000M	NEW-E	97-15-054	222-30-020	AMD-S	97-11-074	230-20-240	AMD-P	97-15-093
220-88A-08000M	REP-E	97-15-081	222-30-020	AMD	97-15-105	230-20-242	AMD-P	97-09-076
220-88A-08000N	NEW-E	97-15-081	222-30-050	AMD-S	97-08-077	230-20-242	AMD	97-14-013
220-88A-08000N	REP-E	97-17-017	222-30-050	AMD-S	97-11-074	230-20-247	AMD	97-05-061
220-88A-08000P	NEW-E	97-17-017	222-30-050	AMD	97-15-105	230-20-325	AMD-W	97-13-059
220-88A-08000P	REP-E	97-18-053	222-30-060	AMD-S	97-08-077	230-20-600	AMD-P	97-03-093
220-88A-08000Q	NEW-E	97-18-053	222-30-060	AMD-S	97-11-074	230-20-600	AMD	97-09-073
220-95-013	AMD-W	97-03-075	222-30-060	AMD	97-15-105	230-20-630	AMD-P	97-03-093
220-95-018	AMD-W	97-03-075	222-30-065	AMD-S	97-08-077	230-20-630	AMD	97-09-073
220-95-022	AMD-W	97-03-075	222-30-065	AMD-S	97-11-074	230-20-685	AMD-P	97-03-093
220-95-032	AMD-W	97-03-075	222-30-065	AMD	97-15-105	230-20-685	AMD	97-11-021
220-110-010	AMD-P	97-07-077	222-30-070	AMD-S	97-08-077	230-20-700	AMD-P	97-03-093
220-110-010	AMD	97-13-001	222-30-070	AMD-S	97-11-074	230-20-700	AMD-W	97-16-099
220-110-020	AMD-P	97-07-077	222-30-070	AMD	97-15-105	230-30-015	REP-P	97-09-075
220-110-020	AMD	97-13-001	222-30-100	AMD-S	97-08-077	230-30-015	REP	97-14-015
220-110-031	NEW-P	97-07-077	222-30-100	AMD-S	97-11-074	230-30-016	REP-P	97-09-075
220-110-031	NEW	97-13-001	222-30-100	AMD	97-15-105	230-30-016	REP	97-14-015
220-110-035	AMD-P	97-07-077	230-02-020	AMD	97-03-094	230-30-018	REP-P	97-09-075
220-110-035	AMD	97-13-001	230-02-126	AMD-W	97-08-071	230-30-018	REP	97-14-015
220-110-331	NEW-P	97-07-077	230-02-205	NEW-P	97-18-031	230-30-025	AMD-P	97-05-057
220-110-331	NEW	97-13-001	230-02-206	NEW-P	97-18-031	230-30-025	AMD-E	97-05-062
220-110-332	NEW-P	97-07-077	230-02-520	AMD-P	97-03-093	230-30-025	AMD	97-11-019
220-110-332	NEW	97-13-001	230-02-520	AMD	97-09-073	230-30-030	AMD-P	97-09-077
220-110-333	NEW-P	97-07-077	230-04-110	AMD-P	97-18-030	230-30-030	AMD	97-14-012
220-110-333	NEW	97-13-001	230-04-119	NEW-P	97-18-031	230-30-040	AMD-P	97-09-077
220-110-334	NEW-P	97-07-077	230-04-120	AMD-P	97-18-030	230-30-040	AMD	97-14-012
220-110-334	NEW	97-13-001	230-04-124	AMD-P	97-18-031	230-30-045	NEW-P	97-15-092
220-110-335	NEW-P	97-07-077	230-04-125	AMD-P	97-11-017	230-30-050	AMD-P	97-09-077
220-110-335	NEW	97-13-001	230-04-125	AMD-P	97-18-031	230-30-050	AMD	97-14-012
220-110-336	NEW-P	97-07-077	230-04-138	AMD-P	97-03-093	230-30-055	AMD-P	97-09-077
220-110-336	NEW	97-13-001	230-04-138	AMD	97-09-073	230-30-055	AMD	97-14-012

Table of WAC Sections Affected

WAC #	ACTION	WSR #	WAC #	ACTION	WSR #	WAC #	ACTION	WSR #
230-30-060	REP-P	97-09-075	232-16-740	AMD	97-18-023	232-28-420	REP-P	97-14-096
230-30-060	REP	97-14-015	232-16-74000C	NEW-E	97-17-029	232-28-420	REP	97-18-027
230-30-065	REP-P	97-09-075	232-16-74000C	REP-E	97-17-029	232-28-421	NEW-P	97-14-097
230-30-065	REP	97-14-015	232-16-780	NEW-P	97-14-094	232-28-421	NEW	97-18-022
230-30-070	AMD-P	97-09-077	232-16-780	NEW	97-18-025	232-28-514	REP-P	97-14-096
230-30-070	AMD	97-14-012	232-16-790	NEW-P	97-14-094	232-28-514	REP	97-18-027
230-30-072	AMD-P	97-09-077	232-16-790	NEW	97-18-025	232-28-515	NEW-P	97-14-099
230-30-072	AMD	97-14-012	232-16-800	NEW-P	97-14-094	232-28-515	NEW-W	97-18-029
230-30-075	REP-P	97-09-075	232-16-800	NEW	97-18-025	232-28-51500A	NEW-E	97-17-027
230-30-075	REP	97-14-015	232-28	AMD-C	97-05-075	232-28-619	AMD	97-07-076
230-30-080	AMD-P	97-09-077	232-28-02201	AMD	97-06-050	232-28-619	AMD-P	97-15-147
230-30-080	AMD	97-14-012	232-28-02202	AMD	97-06-049	232-28-619	AMD	97-18-035
230-30-100	REP-P	97-09-075	232-28-02203	AMD	97-06-048	232-28-61900A	REP-E	97-04-001
230-30-100	REP	97-14-015	232-28-02204	AMD	97-06-044	232-28-61900B	NEW-E	97-03-039
230-30-102	AMD-P	97-09-077	232-28-02205	AMD	97-06-043	232-28-61900C	NEW-E	97-03-099
230-30-102	AMD	97-14-012	232-28-02206	AMD	97-06-041	232-28-61900C	REP-E	97-03-099
230-30-103	AMD-P	97-09-077	232-28-02210	AMD	97-06-042	232-28-61900D	NEW-E	97-03-100
230-30-103	AMD	97-14-012	232-28-02220	AMD	97-06-059	232-28-61900D	REP-E	97-03-100
230-30-104	AMD-P	97-09-077	232-28-02230	AMD	97-06-061	232-28-61900E	NEW-E	97-04-001
230-30-104	AMD	97-14-012	232-28-02240	AMD	97-06-060	232-28-61900F	NEW-E	97-06-034
230-30-105	REP-P	97-09-075	232-28-02250	AMD	97-06-058	232-28-61900F	REP-E	97-06-034
230-30-105	REP	97-14-015	232-28-02260	AMD	97-06-057	232-28-61900F	REP-E	97-12-035
230-30-106	AMD-P	97-09-077	232-28-02270	AMD	97-06-056	232-28-61900G	NEW-E	97-07-056
230-30-106	AMD	97-14-012	232-28-02280	AMD-W	97-06-084	232-28-61900G	REP-E	97-07-056
230-30-106	AMD-P	97-14-014	232-28-02290	AMD	97-06-055	232-28-61900H	NEW-E	97-08-047
230-30-110	REP-P	97-09-075	232-28-02290	AMD-P	97-06-127	232-28-61900H	REP-E	97-08-047
230-30-110	REP	97-14-015	232-28-02290	AMD	97-12-060	232-28-61900I	NEW-E	97-09-068
230-30-130	REP-P	97-09-075	232-28-240	AMD	97-06-047	232-28-61900I	REP-E	97-14-052
230-30-130	REP	97-14-015	232-28-240	AMD-P	97-06-116	232-28-61900J	NEW-E	97-10-043
230-30-200	REP-P	97-11-018	232-28-240	AMD	97-12-049	232-28-61900K	NEW-E	97-12-035
230-30-210	AMD-P	97-09-077	232-28-241	REP-P	97-14-096	232-28-61900K	REP-E	97-14-052
230-30-210	AMD	97-14-012	232-28-241	REP	97-18-027	232-28-61900L	NEW-E	97-14-052
230-30-215	REP-P	97-09-075	232-28-242	AMD	97-06-053	232-28-61900L	REP-E	97-14-052
230-30-215	REP	97-14-015	232-28-242	AMD-P	97-06-117	232-28-61900M	NEW-E	97-16-103
230-30-220	REP-P	97-18-031	232-28-242	AMD	97-12-050	232-28-61900M	REP-E	97-16-103
230-30-300	AMD-P	97-09-077	232-28-246	REP-P	97-14-096	232-28-61900N	NEW-P	97-16-104
230-30-300	AMD	97-14-012	232-28-246	REP	97-18-027	232-28-61900N	REP-P	97-16-104
230-40-900	NEW-P	97-18-030	232-28-248	AMD	97-06-052	232-28-61900P	NEW-E	97-18-002
230-40-999	REP-P	97-18-030	232-28-249	AMD	97-06-051	232-28-61900P	NEW-E	97-18-054
230-50-005	NEW	97-03-095	232-28-250	REP-P	97-14-096	232-28-61900Q	REP-E	97-18-054
230-50-010	AMD-P	97-09-076	232-28-250	REP	97-18-027	236-48-198	AMD	97-04-025
230-50-010	AMD	97-14-013	232-28-251	REP-P	97-14-096	242-02-010	AMD	97-04-008
230-50-012	AMD-P	97-09-076	232-28-251	REP	97-18-027	242-02-030	AMD	97-04-008
230-50-012	AMD	97-14-013	232-28-252	AMD-P	97-06-118	242-02-040	AMD	97-04-008
232-12	AMD-C	97-05-075	232-28-252	AMD	97-12-051	242-02-060	AMD	97-04-008
232-12-001	AMD	97-07-076	232-28-253	AMD-P	97-06-119	242-02-070	AMD	97-04-008
232-12-001	AMD-P	97-15-147	232-28-253	AMD	97-12-052	242-02-074	AMD	97-04-008
232-12-001	AMD	97-18-035	232-28-254	AMD-P	97-06-120	242-02-110	AMD	97-04-008
232-12-001	NEW-E	97-14-052	232-28-254	AMD	97-12-053	242-02-130	AMD	97-04-008
232-12-00100A	REP-E	97-14-052	232-28-260	AMD	97-06-038	242-02-210	AMD	97-04-008
232-12-011	AMD-P	97-06-115	232-28-260	AMD-P	97-06-121	242-02-220	AMD	97-04-008
232-12-011	AMD	97-12-048	232-28-260	AMD	97-12-054	242-02-240	AMD-W	97-04-009
232-12-011	AMD-P	97-14-090	232-28-262	AMD	97-06-039	242-02-250	AMD	97-04-008
232-12-011	AMD	97-18-019	232-28-263	AMD	97-06-037	242-02-260	AMD	97-04-008
232-12-014	AMD-P	97-14-090	232-28-264	NEW	97-06-045	242-02-270	AMD	97-04-008
232-12-014	AMD	97-18-019	232-28-264	AMD-P	97-14-095	242-02-310	AMD	97-04-008
232-12-018	AMD	97-07-076	232-28-264	AMD	97-18-021	242-02-510	AMD	97-04-008
232-12-019	AMD-W	97-10-074	232-28-26400A	NEW-E	97-17-028	242-02-520	AMD	97-04-008
232-12-024	AMD-W	97-06-084	232-28-26400A	REP-E	97-17-028	242-02-52001	NEW	97-04-008
232-12-061	AMD-P	97-14-091	232-28-265	NEW	97-06-046	242-02-52002	NEW	97-04-008
232-12-061	AMD	97-18-020	232-28-265	AMD-P	97-06-122	242-02-521	AMD	97-04-008
232-12-068	AMD-P	97-14-093	232-28-265	AMD	97-12-055	242-02-522	AMD	97-04-008
232-12-068	AMD	97-18-026	232-28-266	NEW	97-05-074	242-02-532	AMD	97-04-008
232-12-141	AMD-P	97-14-092	232-28-267	NEW-P	97-06-123	242-02-533	AMD	97-04-008
232-12-141	AMD-W	97-18-029	232-28-267	NEW	97-12-056	242-02-550	AMD	97-04-008
232-12-147	AMD-W	97-10-074	232-28-268	NEW-P	97-06-124	242-02-554	REP	97-04-008
232-12-227	AMD-P	97-17-071	232-28-268	NEW	97-12-057	242-02-560	AMD	97-04-008
232-12-619	AMD	97-07-076	232-28-268	AMD-P	97-14-098	242-02-570	AMD	97-04-008
232-12-619	AMD-P	97-15-147	232-28-268	AMD	97-18-024	242-02-634	AMD-W	97-04-009
232-12-619	AMD	97-18-035	232-28-269	NEW-P	97-06-125	242-02-650	AMD	97-04-008
232-16-730	NEW-P	97-14-094	232-28-269	NEW	97-12-058	242-02-660	AMD	97-04-008
232-16-730	NEW	97-18-025	232-28-270	NEW-P	97-06-126	242-02-670	AMD	97-04-008
232-16-740	AMD-P	97-14-089	232-28-270	NEW	97-12-059	242-02-710	AMD	97-04-008

Table of WAC Sections Affected

WAC #	ACTION	WSR #	WAC #	ACTION	WSR #	WAC #	ACTION	WSR #
242-02-820	REP	97-04-008	246-100-072	AMD	97-15-099	246-310-630	PREP-X	97-14-056
242-02-830	AMD	97-04-008	246-100-206	AMD-P	97-06-110	246-312-010	NEW-E	97-15-127
242-02-832	NEW	97-04-008	246-100-206	AMD	97-15-099	246-312-010	NEW-P	97-18-090
242-02-834	NEW	97-04-008	246-100-207	AMD	97-04-041	246-312-020	NEW-E	97-15-127
242-02-840	REP	97-04-008	246-100-209	AMD-P	97-06-110	246-312-020	NEW-P	97-18-090
242-02-850	REP	97-04-008	246-100-209	AMD	97-15-099	246-316-001	PREP-X	97-14-056
242-02-860	REP	97-04-008	246-136-001	NEW-E	97-16-025	246-316-990	PREP	97-13-097
242-02-870	REP	97-04-008	246-136-001	NEW-P	97-17-112	246-316-990	AMD-P	97-17-111
242-02-880	AMD	97-04-008	246-136-010	NEW-E	97-16-025	246-318-018	PREP-X	97-14-056
242-02-890	AMD-W	97-04-009	246-136-010	NEW-P	97-17-112	246-318-050	PREP-X	97-14-056
242-02-892	AMD	97-04-008	246-136-020	NEW-E	97-16-025	246-318-060	PREP-X	97-14-056
242-04-050	AMD	97-04-008	246-136-020	NEW-P	97-17-112	246-318-070	PREP-X	97-14-056
246-08-400	AMD-P	97-09-092	246-136-030	NEW-E	97-16-025	246-318-080	PREP-X	97-14-056
246-08-400	AMD	97-12-087	246-136-030	NEW-P	97-17-112	246-318-090	PREP-X	97-14-056
246-10-102	AMD-P	97-08-092	246-136-040	NEW-E	97-16-025	246-318-100	PREP-X	97-14-056
246-10-102	AMD	97-12-089	246-136-040	NEW-P	97-17-112	246-318-110	PREP-X	97-14-056
246-10-108	AMD-P	97-08-092	246-171-010	PREP-X	97-14-056	246-318-120	PREP-X	97-14-056
246-10-108	AMD	97-12-089	246-171-020	PREP-X	97-14-056	246-318-130	PREP-X	97-14-056
246-10-109	AMD-P	97-08-092	246-171-030	PREP-X	97-14-056	246-318-135	PREP-X	97-14-056
246-10-109	AMD	97-12-089	246-171-040	PREP-X	97-14-056	246-318-140	PREP-X	97-14-056
246-10-121	AMD-P	97-08-092	246-171-050	PREP-X	97-14-056	246-318-340	PREP-X	97-14-056
246-10-121	AMD	97-12-089	246-171-060	PREP-X	97-14-056	246-318-360	PREP-X	97-14-056
246-10-122	AMD-P	97-08-092	246-171-070	PREP-X	97-14-056	246-318-410	PREP-X	97-14-056
246-10-122	AMD	97-12-089	246-171-080	PREP-X	97-14-056	246-318-430	PREP-X	97-14-056
246-10-203	AMD-P	97-08-092	246-171-090	PREP-X	97-14-056	246-318-435	PREP-X	97-14-056
246-10-203	AMD	97-12-089	246-171-100	PREP-X	97-14-056	246-318-501	PREP-X	97-14-056
246-10-205	AMD-P	97-08-092	246-171-110	PREP-X	97-14-056	246-321-001	REP	97-03-080
246-10-205	AMD	97-12-089	246-171-120	PREP-X	97-14-056	246-321-010	REP	97-03-080
246-10-401	AMD-P	97-08-092	246-171-130	PREP-X	97-14-056	246-321-012	REP	97-03-080
246-10-401	AMD	97-12-089	246-171-140	PREP-X	97-14-056	246-321-014	REP	97-03-080
246-10-403	AMD-P	97-08-092	246-203-080	PREP-X	97-14-057	246-321-015	REP	97-03-080
246-10-403	AMD	97-12-089	246-203-090	PREP-X	97-14-057	246-321-017	REP	97-03-080
246-10-605	AMD-P	97-08-092	246-203-100	PREP-X	97-14-057	246-321-018	REP	97-03-080
246-10-605	AMD	97-12-089	246-203-110	PREP-X	97-14-057	246-321-020	REP	97-03-080
246-10-608	AMD-P	97-08-092	246-203-140	PREP-X	97-14-057	246-321-025	REP	97-03-080
246-10-608	AMD	97-12-089	246-203-150	PREP-X	97-14-057	246-321-030	REP	97-03-080
246-10-701	AMD-P	97-08-092	246-203-160	PREP-X	97-14-057	246-321-035	REP	97-03-080
246-10-701	AMD	97-12-089	246-203-170	PREP-X	97-14-057	246-321-040	REP	97-03-080
246-10-704	AMD-P	97-08-092	246-203-180	PREP-X	97-14-057	246-321-045	REP	97-03-080
246-10-704	AMD	97-12-089	246-220-130	PREP-X	97-14-056	246-321-050	REP	97-03-080
246-10-707	AMD-P	97-08-092	246-224-040	PREP-X	97-14-056	246-321-055	REP	97-03-080
246-10-707	AMD	97-12-089	246-224-080	PREP-X	97-14-056	246-321-990	REP	97-03-080
246-11-010	AMD-P	97-08-092	246-225-99910	PREP-X	97-14-056	246-322-001	PREP-X	97-14-056
246-11-010	AMD	97-13-015	246-227-010	PREP-X	97-14-056	246-324-001	PREP-X	97-14-056
246-11-070	AMD-P	97-08-092	246-227-170	PREP-X	97-14-056	246-325-001	PREP-X	97-14-056
246-11-070	AMD	97-13-015	246-229-010	PREP-X	97-14-056	246-326-001	PREP-X	97-14-056
246-11-080	AMD-P	97-08-092	246-229-040	PREP-X	97-14-056	246-327-001	PREP-X	97-14-056
246-11-080	AMD	97-13-015	246-232-060	AMD-P	97-03-126	246-327-990	AMD-P	97-11-087
246-11-200	AMD-P	97-08-092	246-232-060	AMD	97-08-095	246-327-990	AMD	97-15-096
246-11-200	AMD	97-13-015	246-235-075	AMD-P	97-03-126	246-328-150	PREP-X	97-14-056
246-11-210	AMD-P	97-08-092	246-235-075	AMD	97-08-095	246-329-001	PREP-X	97-14-056
246-11-210	AMD	97-13-015	246-252-010	AMD	97-13-055	246-331-001	PREP-X	97-14-056
246-11-270	AMD-P	97-08-092	246-252-030	AMD	97-13-055	246-331-990	AMD-P	97-11-087
246-11-270	AMD	97-13-015	246-271-070	PREP-X	97-14-057	246-331-990	AMD	97-15-096
246-11-290	AMD-P	97-08-092	246-271-080	PREP-X	97-14-057	246-336-001	PREP-X	97-14-056
246-11-290	AMD	97-13-015	246-271-110	PREP-X	97-14-057	246-336-990	AMD-P	97-11-087
246-11-380	AMD-P	97-08-092	246-280-040	PREP-X	97-14-057	246-336-990	AMD	97-15-096
246-11-380	AMD	97-13-015	246-280-050	PREP-X	97-14-057	246-338-020	AMD-P	97-11-039
246-11-510	AMD-P	97-08-092	246-280-080	PREP-X	97-14-057	246-338-020	AMD	97-14-113
246-11-510	AMD	97-13-015	246-282-990	AMD-P	97-08-025	246-338-030	AMD-P	97-11-039
246-11-540	AMD-P	97-08-092	246-282-990	AMD	97-12-031	246-338-030	AMD	97-14-113
246-11-540	AMD	97-13-015	246-290	PREP	97-18-006	246-338-060	AMD-P	97-11-039
246-11-550	AMD-P	97-08-092	246-290-500	PREP-X	97-14-057	246-338-060	AMD	97-14-113
246-11-550	AMD	97-13-015	246-290-680	PREP-X	97-14-057	246-338-070	AMD-P	97-11-039
246-11-580	AMD-P	97-08-092	246-290-990	AMD-P	97-07-073	246-338-070	AMD	97-14-113
246-11-580	AMD	97-13-015	246-290-990	AMD	97-12-032	246-338-090	AMD-P	97-11-039
246-11-610	AMD-P	97-08-092	246-291-370	PREP-X	97-14-057	246-338-090	AMD	97-14-113
246-11-610	AMD	97-13-015	246-293-310	PREP-X	97-14-056	246-338-100	AMD-P	97-11-039
246-100-011	AMD-P	97-06-110	246-310-040	PREP-X	97-14-056	246-338-100	AMD	97-14-113
246-100-011	AMD	97-15-099	246-310-041	PREP-X	97-14-056	246-358-095	AMD	97-14-008
246-100-036	AMD-P	97-06-110	246-310-042	PREP-X	97-14-056	246-360-060	PREP-X	97-14-057
246-100-036	AMD	97-15-099	246-310-060	PREP-X	97-14-056	246-360-170	PREP-X	97-14-057
246-100-072	AMD-P	97-06-110	246-310-135	PREP-X	97-14-056	246-360-210	PREP-X	97-14-057

TABLE

Table of WAC Sections Affected

WAC #	ACTION	WSR #	WAC #	ACTION	WSR #	WAC #	ACTION	WSR #
246-374-050	PREP-X	97-14-057	246-810-035	NEW	97-17-113	246-810-366	REP-P	97-13-099
246-374-060	PREP-X	97-14-057	246-810-040	AMD-P	97-13-099	246-810-366	REP	97-17-113
246-374-080	PREP-X	97-14-057	246-810-040	AMD	97-17-113	246-810-370	REP-P	97-13-099
246-374-100	PREP-X	97-14-057	246-810-045	NEW-P	97-13-099	246-810-370	REP	97-17-113
246-374-130	PREP-X	97-14-057	246-810-045	NEW	97-17-113	246-810-380	REP-P	97-13-099
246-376-050	PREP-X	97-14-057	246-810-049	NEW-P	97-13-099	246-810-380	REP	97-17-113
246-376-080	PREP-X	97-14-057	246-810-049	NEW	97-17-113	246-810-510	AMD-P	97-13-099
246-376-100	PREP-X	97-14-057	246-810-050	REP-P	97-13-099	246-810-510	AMD	97-17-113
246-376-110	PREP-X	97-14-057	246-810-050	REP	97-17-113	246-810-520	AMD-P	97-13-099
246-510-001	PREP-X	97-14-056	246-810-060	AMD-P	97-13-099	246-810-520	AMD	97-17-113
246-510-010	PREP-X	97-14-056	246-810-060	AMD	97-17-113	246-810-521	AMD-P	97-13-099
246-510-100	PREP-X	97-14-056	246-810-061	AMD-P	97-13-099	246-810-521	AMD	97-17-113
246-510-130	PREP-X	97-14-056	246-810-061	AMD	97-17-113	246-810-530	REP-P	97-13-099
246-510-160	PREP-X	97-14-056	246-810-062	AMD-P	97-13-099	246-810-530	REP	97-17-113
246-510-200	PREP-X	97-14-056	246-810-062	AMD	97-17-113	246-810-532	NEW-P	97-13-099
246-510-300	PREP-X	97-14-056	246-810-062	AMD	97-17-113	246-810-532	NEW	97-17-113
246-510-320	PREP-X	97-14-056	246-810-063	AMD-P	97-13-099	246-810-534	NEW-P	97-13-099
246-510-400	PREP-X	97-14-056	246-810-063	AMD	97-17-113	246-810-534	NEW	97-17-113
246-560-015	PREP-X	97-14-056	246-810-064	AMD-P	97-13-099	246-810-540	AMD-P	97-13-099
246-560-020	PREP-X	97-14-056	246-810-064	AMD	97-17-113	246-810-540	AMD	97-17-113
246-560-030	PREP-X	97-14-056	246-810-065	AMD-P	97-13-099	246-810-541	REP-P	97-13-099
246-560-080	PREP-X	97-14-056	246-810-065	AMD	97-17-113	246-810-541	REP	97-17-113
246-560-090	PREP-X	97-14-056	246-810-066	AMD-P	97-13-099	246-810-542	REP-P	97-13-099
246-560-100	PREP-X	97-14-056	246-810-066	AMD	97-17-113	246-810-542	REP	97-17-113
246-560-105	PREP-X	97-14-056	246-810-070	AMD-P	97-13-099	246-810-545	NEW-P	97-13-099
246-560-110	PREP-X	97-14-056	246-810-070	AMD	97-17-113	246-810-545	NEW	97-17-113
246-560-120	PREP-X	97-14-056	246-810-080	AMD-P	97-13-099	246-810-548	NEW-P	97-13-099
246-710-040	PREP-X	97-14-057	246-810-080	AMD	97-17-113	246-810-548	NEW	97-17-113
246-762-060	PREP-X	97-14-057	246-810-110	NEW-P	97-13-099	246-810-550	REP-P	97-13-099
246-762-070	PREP-X	97-14-057	246-810-110	NEW	97-17-113	246-810-550	REP	97-17-113
246-790-010	AMD-P	97-13-098	246-810-120	NEW-P	97-13-099	246-810-560	REP-P	97-13-099
246-790-010	AMD	97-16-117	246-810-120	NEW	97-17-113	246-810-560	REP	97-17-113
246-790-050	AMD-P	97-13-098	246-810-130	NEW-P	97-13-099	246-810-561	REP-P	97-13-099
246-790-050	AMD	97-16-117	246-810-130	NEW	97-17-113	246-810-561	REP	97-17-113
246-790-060	AMD-P	97-13-098	246-810-140	NEW-P	97-13-099	246-810-562	REP-P	97-13-099
246-790-060	AMD	97-16-117	246-810-140	NEW	97-17-113	246-810-562	REP	97-17-113
246-790-070	AMD-P	97-13-098	246-810-150	NEW-P	97-13-099	246-810-563	REP-P	97-13-099
246-790-070	AMD	97-16-117	246-810-150	NEW	97-17-113	246-810-563	REP	97-17-113
246-790-080	AMD-P	97-13-098	246-810-152	NEW-P	97-13-099	246-810-563	REP-P	97-13-099
246-790-080	AMD	97-16-117	246-810-152	NEW	97-17-113	246-810-564	REP	97-17-113
246-790-085	NEW-P	97-13-098	246-810-310	AMD-P	97-13-099	246-810-564	REP-P	97-13-099
246-790-085	NEW	97-16-117	246-810-310	AMD	97-17-113	246-810-565	REP-P	97-13-099
246-790-090	AMD-P	97-13-098	246-810-320	AMD-P	97-13-099	246-810-565	REP	97-17-113
246-790-090	AMD	97-16-117	246-810-321	AMD-P	97-13-099	246-810-566	REP-P	97-13-099
246-790-100	AMD-P	97-13-098	246-810-321	AMD	97-17-113	246-810-566	REP	97-17-113
246-790-100	AMD	97-16-117	246-810-321	AMD	97-17-113	246-810-570	REP-P	97-13-099
246-790-110	REP-P	97-13-098	246-810-330	REP-P	97-13-099	246-810-570	REP	97-17-113
246-790-110	REP	97-16-117	246-810-330	REP	97-17-113	246-810-580	REP-P	97-13-099
246-790-120	AMD-P	97-13-098	246-810-331	REP-P	97-13-099	246-810-580	REP	97-17-113
246-790-120	AMD	97-16-117	246-810-331	REP	97-17-113	246-810-710	NEW-P	97-13-099
246-790-130	AMD-P	97-13-098	246-810-332	AMD-P	97-13-099	246-810-710	NEW	97-17-113
246-790-130	AMD	97-16-117	246-810-332	AMD	97-17-113	246-810-720	AMD-P	97-13-099
246-802-030	PREP	97-16-088	246-810-334	NEW-P	97-13-099	246-810-720	AMD	97-17-113
246-802-040	PREP	97-16-088	246-810-334	NEW	97-17-113	246-810-721	NEW-P	97-13-099
246-802-050	PREP	97-16-088	246-810-340	AMD-P	97-13-099	246-810-721	NEW	97-17-113
246-802-060	PREP	97-16-088	246-810-340	AMD	97-17-113	246-810-730	REP-P	97-13-099
246-808-410	PREP-X	97-14-058	246-810-345	NEW-P	97-13-099	246-810-730	REP	97-17-113
246-808-525	PREP-X	97-14-058	246-810-345	NEW	97-17-113	246-810-731	REP-P	97-13-099
246-808-530	PREP-X	97-14-058	246-810-348	NEW-P	97-13-099	246-810-731	REP	97-17-113
246-808-710	PREP-X	97-14-058	246-810-348	NEW	97-17-113	246-810-732	NEW-P	97-13-099
246-810-010	AMD-P	97-13-099	246-810-350	REP-P	97-13-099	246-810-732	NEW	97-17-113
246-810-010	AMD	97-17-113	246-810-350	REP	97-17-113	246-810-734	NEW-P	97-13-099
246-810-020	AMD-P	97-13-099	246-810-360	REP-P	97-13-099	246-810-734	NEW	97-17-113
246-810-020	AMD	97-17-113	246-810-360	REP	97-17-113	246-810-740	AMD-P	97-13-099
246-810-022	NEW-P	97-13-099	246-810-361	REP-P	97-13-099	246-810-740	AMD	97-17-113
246-810-022	NEW	97-17-113	246-810-361	REP	97-17-113	246-810-741	REP-P	97-13-099
246-810-030	AMD-P	97-13-099	246-810-362	REP-P	97-13-099	246-810-741	REP	97-17-113
246-810-030	AMD	97-17-113	246-810-362	REP	97-17-113	246-810-745	NEW-P	97-13-099
246-810-031	AMD-P	97-13-099	246-810-363	REP-P	97-13-099	246-810-745	NEW	97-17-113
246-810-031	AMD	97-17-113	246-810-363	REP	97-17-113	246-810-748	NEW-P	97-13-099
246-810-032	AMD-P	97-13-099	246-810-364	REP-P	97-13-099	246-810-748	NEW	97-17-113
246-810-032	AMD	97-17-113	246-810-364	REP	97-17-113	246-810-750	REP-P	97-13-099
246-810-035	NEW-P	97-13-099	246-810-365	REP-P	97-13-099	246-810-750	REP	97-17-113
			246-810-365	REP	97-17-113	246-810-760	REP-P	97-13-099

Table of WAC Sections Affected

WAC #	ACTION	WSR #	WAC #	ACTION	WSR #	WAC #	ACTION	WSR #
246-810-760	REP	97-17-113	246-838-110	REP	97-13-100	246-839-340	REP-P	97-07-074
246-810-761	REP-P	97-13-099	246-838-120	REP-P	97-07-074	246-839-340	REP	97-13-100
246-810-761	REP	97-17-113	246-838-120	REP	97-13-100	246-839-345	REP-P	97-07-074
246-810-762	REP-P	97-13-099	246-838-121	REP-P	97-07-074	246-839-345	REP	97-13-100
246-810-762	REP	97-17-113	246-838-121	REP	97-13-100	246-839-350	REP-P	97-07-074
246-810-763	REP-P	97-13-099	246-838-130	REP-P	97-07-074	246-839-350	REP	97-13-100
246-810-763	REP	97-17-113	246-838-130	REP	97-13-100	246-839-360	REP-P	97-07-074
246-810-764	REP-P	97-13-099	246-838-250	REP-P	97-07-074	246-839-360	REP	97-13-100
246-810-764	REP	97-17-113	246-838-250	REP	97-13-100	246-839-365	REP-P	97-07-074
246-810-765	REP-P	97-13-099	246-838-260	REP-P	97-07-074	246-839-365	REP	97-13-100
246-810-765	REP	97-17-113	246-838-260	REP	97-13-100	246-839-370	REP-P	97-07-074
246-810-766	REP-P	97-13-099	246-838-270	REP-P	97-07-074	246-839-370	REP	97-13-100
246-810-766	REP	97-17-113	246-838-270	REP	97-13-100	246-839-400	REP-P	97-07-074
246-810-770	REP-P	97-13-099	246-838-280	REP-P	97-07-074	246-839-400	REP	97-13-100
246-810-770	REP	97-17-113	246-838-280	REP	97-13-100	246-839-410	REP-P	97-07-074
246-810-780	REP-P	97-13-099	246-838-290	REP-P	97-07-074	246-839-410	REP	97-13-100
246-810-780	REP	97-17-113	246-838-290	REP	97-13-100	246-839-420	REP-P	97-07-074
246-810-990	AMD-P	97-13-099	246-838-300	REP-P	97-07-074	246-839-420	REP	97-13-100
246-810-990	AMD	97-17-113	246-838-300	REP	97-13-100	246-839-430	REP-P	97-07-074
246-822-100	PREP-X	97-14-056	246-838-310	REP-P	97-07-074	246-839-430	REP	97-13-100
246-822-140	PREP-X	97-14-056	246-838-310	REP	97-13-100	246-839-440	REP-P	97-07-074
246-828-015	NEW	97-04-042	246-838-330	REP-P	97-07-074	246-839-440	REP	97-13-100
246-828-055	AMD-P	97-12-086	246-838-330	REP	97-13-100	246-839-450	REP-P	97-07-074
246-828-055	AMD	97-15-128	246-838-340	REP-P	97-07-074	246-839-450	REP	97-13-100
246-828-060	PREP-X	97-14-059	246-838-340	REP	97-13-100	246-839-700	REP-P	97-07-074
246-828-065	PREP-X	97-14-059	246-838-350	REP-P	97-07-074	246-839-700	REP	97-13-100
246-828-070	AMD-P	97-12-086	246-838-350	REP	97-13-100	246-839-710	REP-P	97-07-074
246-828-070	AMD	97-15-128	246-838-360	REP-P	97-07-074	246-839-710	REP	97-13-100
246-828-400	PREP-X	97-14-060	246-838-360	REP	97-13-100	246-839-720	REP-P	97-07-074
246-828-410	PREP-X	97-14-060	246-839	PREP-W	97-03-066	246-839-720	REP	97-13-100
246-828-420	PREP-X	97-14-060	246-839	PREP-W	97-03-067	246-839-730	REP-P	97-07-074
246-828-430	PREP-X	97-14-060	246-839-010	REP-P	97-07-074	246-839-730	REP	97-13-100
246-828-510	PREP	97-15-097	246-839-010	REP	97-13-100	246-839-740	REP-P	97-07-074
246-828-990	AMD	97-04-043	246-839-020	REP-P	97-07-074	246-839-740	REP	97-13-100
246-830-220	PREP-X	97-14-056	246-839-020	REP	97-13-100	246-839-745	REP-P	97-07-074
246-830-230	PREP-X	97-14-056	246-839-030	REP-P	97-08-093	246-839-745	REP	97-13-100
246-830-240	PREP-X	97-14-056	246-839-030	REP	97-17-015	246-839-750	REP-P	97-07-074
246-830-250	PREP-X	97-14-056	246-839-040	REP-P	97-07-074	246-839-750	REP	97-13-100
246-830-255	PREP-X	97-14-056	246-839-040	REP	97-13-100	246-839-760	REP-P	97-07-074
246-830-260	PREP-X	97-14-056	246-839-050	REP-P	97-07-074	246-839-760	REP	97-13-100
246-830-270	PREP-X	97-14-056	246-839-050	REP	97-13-100	246-839-770	REP-P	97-07-074
246-830-280	PREP-X	97-14-056	246-839-060	REP-P	97-07-074	246-839-770	REP	97-13-100
246-830-690	PREP-X	97-14-056	246-839-060	REP	97-13-100	246-839-780	REP-P	97-07-074
246-834-350	PREP-X	97-14-056	246-839-070	REP-P	97-07-074	246-839-780	REP	97-13-100
246-836-070	PREP-X	97-14-056	246-839-070	REP	97-13-100	246-839-800	REP-P	97-07-074
246-836-080	PREP-X	97-14-056	246-839-080	REP-P	97-07-074	246-839-800	REP	97-13-100
246-836-090	PREP-X	97-14-056	246-839-080	REP	97-13-100	246-839-810	REP-P	97-07-074
246-836-190	PREP-X	97-14-056	246-839-090	REP-P	97-07-074	246-839-810	REP	97-13-100
246-836-400	PREP-X	97-14-056	246-839-090	REP	97-13-100	246-839-820	REP-P	97-07-074
246-838	PREP-W	97-03-066	246-839-100	REP-P	97-07-074	246-839-820	REP	97-13-100
246-838	PREP-W	97-03-067	246-839-100	REP	97-13-100	246-839-830	REP-P	97-07-074
246-838-010	REP-P	97-07-074	246-839-105	REP-P	97-07-074	246-839-830	REP	97-13-100
246-838-010	REP	97-13-100	246-839-105	REP	97-13-100	246-839-840	REP-P	97-07-074
246-838-020	REP-P	97-07-074	246-839-110	REP-P	97-07-074	246-839-840	REP	97-13-100
246-838-020	REP	97-13-100	246-839-110	REP	97-13-100	246-839-850	REP-P	97-07-074
246-838-026	REP-P	97-07-074	246-839-115	REP-P	97-07-074	246-839-850	REP	97-13-100
246-838-026	REP	97-13-100	246-839-115	REP	97-13-100	246-839-860	REP-P	97-07-074
246-838-030	REP-P	97-07-074	246-839-120	REP-P	97-07-074	246-839-860	REP-S	97-12-030
246-838-030	REP	97-13-100	246-839-120	REP	97-13-100	246-839-860	REP	97-17-049
246-838-040	REP-P	97-07-074	246-839-130	REP-P	97-07-074	246-839-870	REP-P	97-07-074
246-838-050	REP-P	97-07-074	246-839-130	REP	97-13-100	246-839-870	REP	97-13-100
246-838-050	REP	97-13-100	246-839-300	REP-P	97-07-074	246-839-880	REP-P	97-07-074
246-838-060	REP-P	97-07-074	246-839-300	REP	97-13-100	246-839-880	REP	97-13-100
246-838-060	REP	97-13-100	246-839-305	REP-P	97-07-074	246-839-890	REP-P	97-07-074
246-838-070	REP-P	97-07-074	246-839-305	REP	97-13-100	246-839-890	REP	97-13-100
246-838-070	REP	97-13-100	246-839-310	REP-P	97-07-074	246-839-900	REP-P	97-07-074
246-838-080	REP-P	97-07-074	246-839-310	REP	97-13-100	246-839-900	REP	97-13-100
246-838-080	REP	97-13-100	246-839-315	REP-P	97-07-074	246-840-010	NEW-P	97-07-074
246-838-090	REP-P	97-07-074	246-839-315	REP	97-13-100	246-840-010	NEW	97-13-100
246-838-090	REP	97-13-100	246-839-320	REP-P	97-07-074	246-840-020	NEW-P	97-07-074
246-838-100	REP-P	97-07-074	246-839-320	REP	97-13-100	246-840-020	NEW	97-13-100
246-838-100	REP	97-13-100	246-839-330	REP-P	97-07-074	246-840-030	NEW-P	97-07-074
246-838-110	REP-P	97-07-074	246-839-330	REP	97-13-100	246-840-030	NEW-P	97-08-093

TABLE

Table of WAC Sections Affected

WAC #	ACTION	WSR #	WAC #	ACTION	WSR #	WAC #	ACTION	WSR #
246-840-030	NEW-W	97-09-061	246-840-710	NEW	97-13-100	246-851-210	REP-P	97-08-094
246-840-030	NEW	97-17-015	246-840-715	NEW-P	97-07-074	246-851-210	REP	97-12-088
246-840-040	NEW-P	97-07-074	246-840-715	NEW	97-13-100	246-851-220	AMD-P	97-08-094
246-840-040	NEW	97-13-100	246-840-720	NEW-P	97-07-074	246-851-220	AMD	97-12-088
246-840-050	NEW-P	97-07-074	246-840-720	NEW	97-13-100	246-851-230	AMD-P	97-08-094
246-840-050	NEW	97-13-100	246-840-730	NEW-P	97-07-074	246-851-230	AMD	97-12-088
246-840-060	NEW-P	97-07-074	246-840-730	NEW	97-13-100	246-851-240	AMD-P	97-08-094
246-840-060	NEW	97-13-100	246-840-745	NEW-P	97-07-074	246-851-240	AMD	97-12-088
246-840-070	NEW-P	97-07-074	246-840-745	NEW	97-13-100	246-861-030	PREP-X	97-14-062
246-840-070	NEW	97-13-100	246-840-747	NEW-P	97-07-074	246-865	PREP	97-11-038
246-840-080	NEW-P	97-07-074	246-840-747	NEW	97-13-100	246-869-260	PREP-X	97-14-069
246-840-080	NEW	97-13-100	246-840-750	NEW-P	97-07-074	246-877-030	PREP-X	97-14-064
246-840-090	NEW-P	97-07-074	246-840-750	NEW	97-13-100	246-893	PREP-X	97-14-065
246-840-090	NEW	97-13-100	246-840-760	NEW-P	97-07-074	246-897-030	PREP-X	97-14-066
246-840-100	NEW-P	97-07-074	246-840-760	NEW	97-13-100	246-897-040	PREP-X	97-14-066
246-840-100	NEW	97-13-100	246-840-770	NEW-P	97-07-074	246-897-050	PREP-X	97-14-066
246-840-105	NEW-P	97-07-074	246-840-770	NEW	97-13-100	246-897-120	PREP-X	97-14-066
246-840-105	NEW	97-13-100	246-840-780	NEW-P	97-07-074	246-897-130	PREP-X	97-14-066
246-840-110	NEW-P	97-07-074	246-840-780	NEW	97-13-100	246-897-140	PREP-X	97-14-066
246-840-110	NEW	97-13-100	246-840-800	NEW-P	97-07-074	246-897-150	PREP-X	97-14-066
246-840-113	NEW-P	97-07-074	246-840-800	NEW	97-13-100	246-897-160	PREP-X	97-14-066
246-840-113	NEW	97-13-100	246-840-810	NEW-P	97-07-074	246-897-170	PREP-X	97-14-066
246-840-115	NEW-P	97-07-074	246-840-810	NEW	97-13-100	246-897-180	PREP-X	97-14-066
246-840-115	NEW	97-13-100	246-840-820	NEW-P	97-07-074	246-897-190	PREP-X	97-14-066
246-840-120	NEW-P	97-07-074	246-840-820	NEW	97-13-100	246-901	PREP	97-16-087
246-840-120	NEW	97-13-100	246-840-830	NEW-P	97-07-074	246-907-020	AMD	97-06-019
246-840-130	NEW-P	97-07-074	246-840-830	NEW	97-13-100	246-907-030	AMD	97-06-019
246-840-130	NEW	97-13-100	246-840-840	NEW-P	97-07-074	246-915-080	PREP-X	97-14-067
246-840-300	NEW-P	97-07-074	246-840-840	NEW	97-13-100	246-915-090	PREP-X	97-14-067
246-840-300	NEW	97-13-100	246-840-850	NEW-P	97-07-074	246-919-520	NEW-P	97-15-126
246-840-305	NEW-P	97-07-074	246-840-850	NEW	97-13-100	246-919-990	AMD-P	97-12-085
246-840-305	NEW	97-13-100	246-840-860	NEW-P	97-07-074	246-919-990	AMD	97-15-100
246-840-310	NEW-P	97-07-074	246-840-860	NEW-S	97-12-030	246-933-170	PREP-X	97-14-056
246-840-310	NEW	97-13-100	246-840-860	NEW	97-17-049	246-933-980	PREP-X	97-14-056
246-840-315	NEW-P	97-07-074	246-840-870	NEW-P	97-07-074	246-935-125	PREP-X	97-14-056
246-840-315	NEW	97-13-100	246-840-870	NEW	97-13-100	246-937-100	PREP-X	97-14-056
246-840-320	NEW-P	97-07-074	246-840-880	NEW-P	97-07-074	246-976-090	PREP-X	97-14-056
246-840-320	NEW	97-13-100	246-840-880	NEW	97-13-100	246-976-115	PREP-X	97-14-056
246-840-330	NEW-P	97-07-074	246-840-890	NEW-P	97-07-074	249A-02-010	NEW-W	97-09-043
246-840-330	NEW	97-13-100	246-840-890	NEW	97-13-100	249A-02-020	NEW-W	97-09-043
246-840-340	NEW-P	97-07-074	246-840-900	NEW-P	97-07-074	249A-02-030	NEW-W	97-09-043
246-840-340	NEW	97-13-100	246-840-900	NEW	97-13-100	249A-02-040	NEW-W	97-09-043
246-840-345	NEW-P	97-07-074	246-840-930	AMD-P	97-07-074	249A-02-050	NEW-W	97-09-043
246-840-345	NEW	97-13-100	246-840-930	AMD	97-13-100	249A-02-060	NEW-W	97-09-043
246-840-350	NEW-P	97-07-074	246-840-940	AMD-P	97-07-074	249A-02-080	NEW-W	97-09-043
246-840-350	NEW	97-13-100	246-840-940	AMD	97-13-100	249A-02-100	NEW-W	97-09-043
246-840-360	NEW-P	97-07-074	246-841-710	PREP-X	97-14-061	249A-02-200	NEW-W	97-09-043
246-840-360	NEW	97-13-100	246-841-730	PREP-X	97-14-061	249A-02-210	NEW-W	97-09-043
246-840-365	NEW-P	97-07-074	246-841-740	PREP-X	97-14-061	249A-02-220	NEW-W	97-09-043
246-840-365	NEW	97-13-100	246-841-750	PREP-X	97-14-061	249A-02-250	NEW-W	97-09-043
246-840-370	NEW-P	97-07-074	246-843-158	PREP-X	97-14-056	249A-02-300	NEW-W	97-09-043
246-840-370	NEW	97-13-100	246-851-090	AMD-P	97-08-094	249A-02-350	NEW-W	97-09-043
246-840-400	NEW-P	97-07-074	246-851-090	AMD	97-12-088	249A-02-360	NEW-W	97-09-043
246-840-400	NEW	97-13-100	246-851-100	AMD-P	97-08-094	249A-02-410	NEW-W	97-09-043
246-840-410	NEW-P	97-07-074	246-851-100	AMD	97-12-088	249A-02-420	NEW-W	97-09-043
246-840-410	NEW	97-13-100	246-851-110	AMD-P	97-08-094	249A-02-430	NEW-W	97-09-043
246-840-420	NEW-P	97-07-074	246-851-110	AMD	97-12-088	249A-02-440	NEW-W	97-09-043
246-840-420	NEW	97-13-100	246-851-120	AMD-P	97-08-094	249A-02-450	NEW-W	97-09-043
246-840-430	NEW-P	97-07-074	246-851-120	AMD	97-12-088	249A-02-460	NEW-W	97-09-043
246-840-430	NEW	97-13-100	246-851-140	AMD-P	97-08-094	249A-02-470	NEW-W	97-09-043
246-840-440	NEW-P	97-07-074	246-851-140	AMD	97-12-088	249A-02-510	NEW-W	97-09-043
246-840-440	NEW	97-13-100	246-851-150	AMD-P	97-08-094	249A-02-520	NEW-W	97-09-043
246-840-450	NEW-P	97-07-074	246-851-150	AMD	97-12-088	249A-02-540	NEW-W	97-09-043
246-840-450	NEW	97-13-100	246-851-160	AMD-P	97-08-094	249A-02-560	NEW-W	97-09-043
246-840-540	AMD-P	97-07-074	246-851-160	AMD	97-12-088	249A-02-600	NEW-W	97-09-043
246-840-540	AMD	97-13-100	246-851-170	AMD-P	97-08-094	249A-02-650	NEW-W	97-09-043
246-840-565	AMD-P	97-07-074	246-851-170	AMD	97-12-088	249A-02-810	NEW-W	97-09-043
246-840-565	AMD	97-13-100	246-851-180	AMD-P	97-08-094	249A-02-830	NEW-W	97-09-043
246-840-700	NEW-P	97-07-074	246-851-180	AMD	97-12-088	249A-02-860	NEW-W	97-09-043
246-840-700	NEW	97-13-100	246-851-190	AMD-P	97-08-094	251-01-045	AMD-P	97-08-090
246-840-705	NEW-P	97-07-074	246-851-190	AMD	97-12-088	251-01-045	AMD-W	97-10-088
246-840-705	NEW	97-13-100	246-851-200	AMD-P	97-08-094	251-01-110	AMD-P	97-08-090
246-840-710	NEW-P	97-07-074	246-851-200	AMD	97-12-088	251-01-110	AMD-W	97-10-088

Table of WAC Sections Affected

WAC #	ACTION	WSR #	WAC #	ACTION	WSR #	WAC #	ACTION	WSR #
251-04-040	AMD-P	97-08-090	260-24-270	REP-W	97-17-043	260-24-640	NEW-P	97-04-060
251-04-040	AMD-W	97-10-088	260-24-280	REP-P	97-04-060	260-24-640	NEW-W	97-17-043
251-04-050	AMD-P	97-08-090	260-24-280	REP-W	97-17-043	260-24-650	NEW-P	97-04-060
251-04-050	AMD-W	97-10-088	260-24-290	REP-P	97-04-060	260-24-650	NEW-W	97-17-043
251-10-030	AMD-P	97-08-090	260-24-290	REP-W	97-17-043	260-24-660	NEW-P	97-04-060
251-10-030	AMD-W	97-10-088	260-24-300	REP-P	97-04-060	260-24-660	NEW-W	97-17-043
251-12-270	REP-P	97-08-090	260-24-300	REP-W	97-17-043	260-24-670	NEW-P	97-04-060
251-12-270	REP-W	97-10-088	260-24-310	REP-P	97-04-060	260-24-670	NEW-W	97-17-043
251-12-270	REP-P	97-10-089	260-24-310	REP-W	97-17-043	260-24-680	NEW-P	97-04-060
251-12-270	REP	97-13-045	260-24-320	REP-P	97-04-060	260-24-680	NEW-W	97-17-043
251-12-600	AMD-P	97-08-090	260-24-320	REP-W	97-17-043	260-24-690	NEW-P	97-04-060
251-12-600	AMD-W	97-10-088	260-24-330	REP-P	97-04-060	260-24-690	NEW-W	97-17-043
251-12-600	AMD-P	97-10-089	260-24-330	REP-W	97-17-043	260-24-700	NEW-P	97-04-060
251-12-600	AMD	97-13-045	260-24-340	REP-P	97-04-060	260-24-700	NEW-W	97-17-043
251-14-060	AMD	97-06-012	260-24-340	REP-W	97-17-043	260-32	PREP	97-04-059
251-14-120	AMD	97-06-012	260-24-350	REP-P	97-04-060	260-48	PREP	97-04-058
251-20-020	AMD-P	97-08-090	260-24-350	REP-W	97-17-043	262-01-030	PREP	97-06-112
251-20-020	AMD-W	97-10-088	260-24-360	REP-P	97-04-060	262-01-030	AMD-P	97-09-091
251-20-020	AMD-P	97-10-089	260-24-360	REP-W	97-17-043	262-01-030	AMD-W	97-10-060
251-20-020	AMD	97-13-045	260-24-370	REP-P	97-04-060	262-01-030	AMD-P	97-11-065
260-24-010	REP-P	97-04-060	260-24-370	REP-W	97-17-043	262-01-030	AMD	97-16-021
260-24-010	REP-W	97-17-043	260-24-380	REP-P	97-04-060	262-01-130	NEW-P	97-17-078
260-24-020	REP-P	97-04-060	260-24-380	REP-W	97-17-043	262-02-020	PREP	97-06-112
260-24-020	REP-W	97-17-043	260-24-390	REP-P	97-04-060	262-02-020	AMD-P	97-09-090
260-24-030	REP-P	97-04-060	260-24-390	REP-W	97-17-043	262-02-020	AMD-W	97-10-060
260-24-030	REP-W	97-17-043	260-24-400	REP-P	97-04-060	262-02-020	AMD-P	97-11-064
260-24-040	REP-P	97-04-060	260-24-400	REP-W	97-17-043	262-02-020	AMD	97-16-020
260-24-040	REP-W	97-17-043	260-24-410	REP-P	97-04-060	262-02-030	PREP	97-06-112
260-24-050	REP-P	97-04-060	260-24-410	REP-W	97-17-043	262-02-030	AMD-P	97-09-090
260-24-050	REP-W	97-17-043	260-24-420	REP-P	97-04-060	262-02-030	AMD-W	97-10-060
260-24-060	REP-P	97-04-060	260-24-420	REP-W	97-17-043	262-02-030	AMD-P	97-11-064
260-24-060	REP-W	97-17-043	260-24-430	REP-P	97-04-060	262-02-030	AMD	97-16-020
260-24-070	REP-P	97-04-060	260-24-430	REP-W	97-17-043	262-03	PREP	97-07-068
260-24-070	REP-W	97-17-043	260-24-440	REP-P	97-04-060	262-03-010	NEW-P	97-11-063
260-24-080	REP-P	97-04-060	260-24-440	REP-W	97-17-043	262-03-010	NEW	97-16-019
260-24-080	REP-W	97-17-043	260-24-450	REP-P	97-04-060	262-03-020	NEW-P	97-11-063
260-24-090	REP-P	97-04-060	260-24-450	REP-W	97-17-043	262-03-020	NEW	97-16-019
260-24-090	REP-W	97-17-043	260-24-460	REP-P	97-04-060	262-03-030	NEW-P	97-11-063
260-24-100	REP-P	97-04-060	260-24-460	REP-W	97-17-043	262-03-030	NEW	97-16-019
260-24-100	REP-W	97-17-043	260-24-465	REP-P	97-04-060	262-03-040	NEW-P	97-11-063
260-24-110	REP-P	97-04-060	260-24-465	REP-W	97-17-043	262-03-040	NEW	97-16-019
260-24-110	REP-W	97-17-043	260-24-470	REP-P	97-04-060	262-03-050	NEW-P	97-11-063
260-24-120	REP-P	97-04-060	260-24-470	REP-W	97-17-043	262-03-050	NEW	97-16-019
260-24-120	REP-W	97-17-043	260-24-480	REP-P	97-04-060	262-03-060	NEW-P	97-11-063
260-24-130	REP-P	97-04-060	260-24-480	REP-W	97-17-043	262-03-060	NEW	97-16-019
260-24-130	REP-W	97-17-043	260-24-500	NEW-P	97-04-060	262-03-070	NEW-P	97-11-063
260-24-140	REP-P	97-04-060	260-24-500	NEW-W	97-17-043	262-03-070	NEW	97-16-019
260-24-140	REP-W	97-17-043	260-24-510	NEW-P	97-04-060	262-03-080	NEW-P	97-11-063
260-24-150	REP-P	97-04-060	260-24-510	NEW-W	97-17-043	262-03-080	NEW	97-16-019
260-24-150	REP-W	97-17-043	260-24-520	NEW-P	97-04-060	262-03-090	NEW-P	97-11-063
260-24-160	REP-P	97-04-060	260-24-520	NEW-W	97-17-043	262-03-090	NEW	97-16-019
260-24-160	REP-W	97-17-043	260-24-530	NEW-P	97-04-060	262-04	PREP	97-14-025
260-24-170	REP-P	97-04-060	260-24-530	NEW-W	97-17-043	275-27-023	AMD-E	97-03-033
260-24-170	REP-W	97-17-043	260-24-540	NEW-P	97-04-060	275-27-023	AMD-P	97-08-007
260-24-180	REP-P	97-04-060	260-24-540	NEW-W	97-17-043	275-27-023	AMD-E	97-11-009
260-24-180	REP-W	97-17-043	260-24-550	NEW-P	97-04-060	275-27-023	AMD	97-13-051
260-24-190	REP-P	97-04-060	260-24-550	NEW-W	97-17-043	275-27-220	AMD-E	97-03-033
260-24-190	REP-W	97-17-043	260-24-560	NEW-P	97-04-060	275-27-220	AMD-P	97-08-007
260-24-200	REP-P	97-04-060	260-24-560	NEW-W	97-17-043	275-27-220	AMD-E	97-11-009
260-24-200	REP-W	97-17-043	260-24-570	NEW-P	97-04-060	275-27-220	AMD	97-13-051
260-24-210	REP-P	97-04-060	260-24-570	NEW-W	97-17-043	275-27-221	REP-E	97-03-033
260-24-210	REP-W	97-17-043	260-24-580	NEW-P	97-04-060	275-27-221	REP-P	97-08-007
260-24-220	REP-P	97-04-060	260-24-580	NEW-W	97-17-043	275-27-221	REP-E	97-11-009
260-24-220	REP-W	97-17-043	260-24-590	NEW-P	97-04-060	275-27-221	REP	97-13-051
260-24-230	REP-P	97-04-060	260-24-590	NEW-W	97-17-043	275-27-222	NEW-P	97-08-007
260-24-230	REP-W	97-17-043	260-24-600	NEW-P	97-04-060	275-27-222	NEW-E	97-11-009
260-24-240	REP-P	97-04-060	260-24-600	NEW-W	97-17-043	275-27-222	NEW	97-13-051
260-24-240	REP-W	97-17-043	260-24-610	NEW-P	97-04-060	275-27-223	AMD-E	97-03-033
260-24-250	REP-P	97-04-060	260-24-610	NEW-W	97-17-043	275-27-223	AMD-P	97-08-007
260-24-250	REP-W	97-17-043	260-24-620	NEW-P	97-04-060	275-27-223	AMD-E	97-11-009
260-24-260	REP-P	97-04-060	260-24-620	NEW-W	97-17-043	275-27-223	AMD	97-13-051
260-24-260	REP-W	97-17-043	260-24-630	NEW-P	97-04-060	275-27-400	AMD-E	97-03-033
260-24-270	REP-P	97-04-060	260-24-630	NEW-W	97-17-043	275-27-400	AMD-P	97-08-007

Table of WAC Sections Affected

WAC #	ACTION	WSR #	WAC #	ACTION	WSR #	WAC #	ACTION	WSR #
275-27-400	AMD-E	97-11-009	275-80-915	PREP	97-15-131	284-43-420	NEW-W	97-08-044
275-27-400	AMD	97-13-051	275-80-920	PREP	97-15-131	284-43-500	NEW-W	97-08-044
275-48-010	PREP	97-15-131	275-80-925	PREP	97-15-131	284-43-510	NEW-W	97-08-044
275-48-015	PREP	97-15-131	275-80-930	PREP	97-15-131	284-43-520	NEW-W	97-08-044
275-48-020	PREP	97-15-131	275-80-935	PREP	97-15-131	284-43-530	NEW-W	97-08-044
275-48-025	PREP	97-15-131	275-80-940	PREP	97-15-131	284-43-540	NEW-W	97-08-044
275-48-030	PREP	97-15-131	275-80-995	PREP	97-15-131	284-43-550	NEW-W	97-08-044
275-48-035	PREP	97-15-131	275-110-010	PREP	97-15-131	284-43-560	NEW-W	97-08-044
275-48-040	PREP	97-15-131	275-110-020	PREP	97-15-131	284-43-600	NEW-W	97-08-044
275-48-045	PREP	97-15-131	275-110-030	PREP	97-15-131	284-43-610	NEW-W	97-08-044
275-48-050	PREP	97-15-131	275-110-040	PREP	97-15-131	284-43-620	NEW-W	97-08-044
275-60-010	PREP-X	97-14-071	275-110-050	PREP	97-15-131	284-43-630	NEW-W	97-08-044
275-60-010	REP	97-18-052	275-110-060	PREP	97-15-131	284-43-640	NEW-W	97-08-044
275-60-020	PREP-X	97-14-071	275-110-070	PREP	97-15-131	284-43-650	NEW-W	97-08-044
275-60-020	REP	97-18-052	275-110-080	PREP	97-15-131	284-43-700	NEW-C	97-05-006
275-60-030	PREP-X	97-14-071	275-110-090	PREP	97-15-131	284-43-700	NEW-C	97-08-046
275-60-030	REP	97-18-052	275-110-100	PREP	97-15-131	284-43-700	NEW-W	97-11-001
275-60-040	PREP-X	97-14-071	275-110-110	PREP	97-15-131	284-44-240	REP-W	97-08-044
275-60-040	REP	97-18-052	275-110-120	PREP	97-15-131	284-44-410	REP-W	97-08-044
275-60-050	PREP-X	97-14-071	275-150-010	PREP	97-15-131	284-46-575	REP-W	97-08-044
275-60-050	REP	97-18-052	275-150-020	PREP	97-15-131	284-51-050	PREP	97-04-074
275-60-060	PREP-X	97-14-071	275-150-030	PREP	97-15-131	284-54-750	NEW-P	97-15-150
275-60-060	REP	97-18-052	275-150-040	PREP	97-15-131	284-85-085	AMD-P	97-15-150
275-60-070	PREP-X	97-14-071	275-150-050	PREP	97-15-131	286-13-040	PREP	97-08-079
275-60-070	REP	97-18-052	275-150-060	PREP	97-15-131	286-13-040	AMD-P	97-12-027
275-60-200	PREP-X	97-14-071	275-150-070	PREP	97-15-131	286-13-040	AMD	97-17-004
275-60-200	REP	97-18-052	275-150-080	PREP	97-15-131	286-13-045	AMD-P	97-04-006
275-60-300	PREP-X	97-14-071	275-150-090	PREP	97-15-131	286-13-045	AMD	97-08-003
275-60-300	REP	97-18-052	275-155	AMD-P	97-11-044	286-13-085	AMD-P	97-04-006
275-60-400	PREP-X	97-14-071	275-155-005	AMD-P	97-11-044	286-13-085	AMD	97-08-003
275-60-400	REP	97-18-052	275-155-010	AMD-P	97-11-044	286-13-110	AMD-P	97-04-006
275-60-500	PREP-X	97-14-071	275-155-070	NEW-P	97-11-044	286-13-110	AMD	97-08-003
275-60-500	REP	97-18-052	275-155-080	NEW-P	97-11-044	286-13-110	PREP	97-08-079
275-60-510	PREP-X	97-14-071	275-155-090	NEW-P	97-11-044	286-13-110	AMD-P	97-12-027
275-60-510	REP	97-18-052	275-155-100	NEW-P	97-11-044	286-13-110	AMD	97-17-004
275-60-520	PREP-X	97-14-071	275-155-110	NEW-P	97-11-044	286-13-115	PREP	97-08-079
275-60-520	REP	97-18-052	275-155-120	NEW-P	97-11-044	286-13-115	AMD-P	97-12-027
275-76-005	PREP	97-15-131	275-155-130	NEW-P	97-11-044	286-13-115	AMD	97-17-004
275-76-010	PREP	97-15-131	275-155-140	NEW-P	97-11-044	286-26-080	AMD-P	97-04-006
275-76-020	PREP	97-15-131	284-04	NEW-C	97-03-023	286-26-080	AMD	97-08-003
275-76-030	PREP	97-15-131	284-04	NEW-C	97-03-120	286-27-040	AMD-P	97-04-006
275-76-040	PREP	97-15-131	284-04	NEW-C	97-08-091	286-27-040	AMD	97-08-003
275-76-050	PREP	97-15-131	284-04	NEW-W	97-10-072	286-27-050	REP-P	97-04-006
275-76-060	PREP	97-15-131	284-13-505	NEW	97-05-012	286-27-050	REP	97-08-003
275-76-070	PREP	97-15-131	284-13-515	NEW	97-05-012	286-35-030	AMD-P	97-04-006
275-76-080	PREP	97-15-131	284-13-520	AMD	97-05-012	286-35-030	AMD	97-08-003
275-76-090	PREP	97-15-131	284-13-530	NEW	97-05-012	286-35-040	REP-P	97-04-006
275-76-100	PREP	97-15-131	284-13-535	NEW	97-05-012	286-35-040	REP	97-08-003
275-76-110	PREP	97-15-131	284-13-540	AMD	97-05-012	286-40-020	AMD-P	97-04-006
275-76-120	PREP	97-15-131	284-13-550	AMD	97-05-012	286-40-020	AMD	97-08-003
275-76-130	PREP	97-15-131	284-13-560	AMD	97-05-012	292-09-010	AMD-P	97-05-022
275-76-140	PREP	97-15-131	284-13-570	AMD	97-05-012	292-09-010	AMD	97-13-069
275-76-150	PREP	97-15-131	284-13-590	AMD	97-05-012	292-11-010	NEW-S	97-05-023
275-80-805	PREP	97-15-131	284-13-595	NEW	97-05-012	292-11-010	NEW	97-13-075
275-80-810	PREP	97-15-131	284-17-220	AMD-P	97-15-150	292-11-020	NEW-S	97-05-023
275-80-815	PREP	97-15-131	284-30-395	NEW-S	97-03-090	292-11-020	NEW	97-13-075
275-80-840	PREP	97-15-131	284-30-395	NEW-C	97-08-045	292-11-030	NEW-W	97-09-057
275-80-842	PREP	97-15-131	284-30-395	NEW-C	97-11-010	292-110-010	PREP	97-13-006
275-80-844	PREP	97-15-131	284-30-395	NEW	97-13-005	292-120-010	NEW-P	97-03-133
275-80-846	PREP	97-15-131	284-43-110	NEW-W	97-08-044	292-120-010	NEW	97-07-058
275-80-848	PREP	97-15-131	284-43-120	NEW-W	97-08-044	292-120-020	NEW-P	97-03-133
275-80-852	PREP	97-15-131	284-43-130	NEW-W	97-08-044	292-120-020	NEW	97-07-058
275-80-854	PREP	97-15-131	284-43-200	NEW-W	97-08-044	292-120-030	NEW-P	97-03-133
275-80-860	PREP	97-15-131	284-43-210	NEW-W	97-08-044	292-120-030	NEW	97-07-058
275-80-870	PREP	97-15-131	284-43-300	NEW-W	97-08-044	292-120-040	NEW-P	97-03-133
275-80-872	PREP	97-15-131	284-43-310	NEW-W	97-08-044	292-120-040	NEW	97-07-058
275-80-876	PREP	97-15-131	284-43-320	NEW-W	97-08-044	296-10-010	PREP-X	97-13-034
275-80-878	PREP	97-15-131	284-43-330	NEW-W	97-08-044	296-10-010	REP	97-17-064
275-80-890	PREP	97-15-131	284-43-340	NEW-W	97-08-044	296-10-020	PREP-X	97-13-034
275-80-895	PREP	97-15-131	284-43-350	NEW-W	97-08-044	296-10-020	REP	97-17-064
275-80-900	PREP	97-15-131	284-43-360	NEW-W	97-08-044	296-10-030	PREP-X	97-13-034
275-80-905	PREP	97-15-131	284-43-400	NEW-W	97-08-044	296-10-030	REP	97-17-064
275-80-910	PREP	97-15-131	284-43-410	NEW-W	97-08-044	296-10-040	PREP-X	97-13-034

TABLE

Table of WAC Sections Affected

WAC #	ACTION	WSR #	WAC #	ACTION	WSR #	WAC #	ACTION	WSR #
296-10-040	REP	97-17-064	296-10-550	PREP-X	97-13-034	296-17	PREP	97-15-141
296-10-050	PREP-X	97-13-034	296-10-550	REP	97-17-064	296-17	PREP	97-15-142
296-10-050	REP	97-17-064	296-10-560	PREP-X	97-13-034	296-17-45003	AMD	97-06-007
296-10-060	PREP-X	97-13-034	296-10-560	REP	97-17-064	296-17-45003	AMD-E	97-08-043
296-10-060	REP	97-17-064	296-10-570	PREP-X	97-13-034	296-17-45003	AMD-P	97-08-051
296-10-070	PREP-X	97-13-034	296-10-570	REP	97-17-064	296-17-45003	AMD	97-12-011
296-10-070	REP	97-17-064	296-10-580	PREP-X	97-13-034	296-17-45006	NEW	97-06-007
296-10-080	PREP-X	97-13-034	296-10-580	REP	97-17-064	296-17-45006	AMD-E	97-08-043
296-10-080	REP	97-17-064	296-10-590	PREP-X	97-13-034	296-17-45006	AMD-P	97-08-051
296-10-090	PREP-X	97-13-034	296-10-590	REP	97-17-064	296-17-45006	AMD	97-12-011
296-10-090	REP	97-17-064	296-11-001	DECOD	97-08-042	296-17-52107	REP	97-06-007
296-10-100	PREP-X	97-13-034	296-11-003	DECOD	97-08-042	296-17-52112	REP	97-06-007
296-10-100	REP	97-17-064	296-11-010	DECOD	97-08-042	296-17-52114	NEW	97-06-007
296-10-110	PREP-X	97-13-034	296-11-020	DECOD	97-08-042	296-17-52114	REP-E	97-08-043
296-10-110	REP	97-17-064	296-11-030	DECOD	97-08-042	296-17-52114	REP-P	97-08-051
296-10-120	PREP-X	97-13-034	296-11-040	DECOD	97-08-042	296-17-52114	REP	97-12-011
296-10-120	REP	97-17-064	296-11-050	DECOD	97-08-042	296-17-52115	NEW	97-06-007
296-10-130	PREP-X	97-13-034	296-11-060	DECOD	97-08-042	296-17-52115	REP-E	97-08-043
296-10-130	REP	97-17-064	296-11-070	DECOD	97-08-042	296-17-52115	REP-P	97-08-051
296-10-140	PREP-X	97-13-034	296-11-080	DECOD	97-08-042	296-17-52115	REP	97-12-011
296-10-140	REP	97-17-064	296-11-090	DECOD	97-08-042	296-17-52116	NEW	97-06-007
296-10-150	PREP-X	97-13-034	296-11-100	DECOD	97-08-042	296-17-52117	NEW	97-06-007
296-10-150	REP	97-17-064	296-11-110	DECOD	97-08-042	296-17-52117	REP-E	97-08-043
296-10-160	PREP-X	97-13-034	296-11-120	DECOD	97-08-042	296-17-52117	REP-P	97-08-051
296-10-160	REP	97-17-064	296-11-130	DECOD	97-08-042	296-17-52117	REP	97-12-011
296-10-170	PREP-X	97-13-034	296-11-140	DECOD	97-08-042	296-17-52118	NEW-E	97-08-043
296-10-170	REP	97-17-064	296-11-150	DECOD	97-08-042	296-17-52118	NEW-P	97-08-051
296-10-180	PREP-X	97-13-034	296-11-160	DECOD	97-08-042	296-17-52118	NEW	97-12-011
296-10-180	REP	97-17-064	296-11-170	DECOD	97-08-042	296-17-52118	NEW-E	97-08-043
296-10-190	PREP-X	97-13-034	296-11-180	DECOD	97-08-042	296-17-52119	NEW-E	97-08-043
296-10-190	REP	97-17-064	296-11-190	DECOD	97-08-042	296-17-52119	NEW-P	97-08-051
296-10-200	PREP-X	97-13-034	296-11-200	DECOD	97-08-042	296-17-52119	NEW	97-12-011
296-10-200	REP	97-17-064	296-11-210	DECOD	97-08-042	296-17-52120	NEW-E	97-08-043
296-10-210	PREP-X	97-13-034	296-11-220	DECOD	97-08-042	296-17-52120	NEW-P	97-08-051
296-10-210	REP	97-17-064	296-11-230	DECOD	97-08-042	296-17-52120	NEW	97-12-011
296-10-220	PREP-X	97-13-034	296-11-240	DECOD	97-08-042	296-17-52121	NEW-E	97-08-043
296-10-220	REP	97-17-064	296-11-250	DECOD	97-08-042	296-17-52121	NEW-P	97-08-051
296-10-370	PREP-X	97-13-034	296-11-260	DECOD	97-08-042	296-17-52121	NEW	97-12-011
296-10-370	REP	97-17-064	296-11-270	DECOD	97-08-042	296-17-52122	NEW-E	97-08-043
296-10-380	PREP-X	97-13-034	296-11-280	DECOD	97-08-042	296-17-52122	NEW-P	97-08-051
296-10-380	REP	97-17-064	296-11-290	DECOD	97-08-042	296-17-52122	NEW	97-12-011
296-10-390	PREP-X	97-13-034	296-11-300	DECOD	97-08-042	296-17-52123	NEW-E	97-08-043
296-10-390	REP	97-17-064	296-11-310	DECOD	97-08-042	296-17-52123	NEW-P	97-08-051
296-10-400	PREP-X	97-13-034	296-11-320	DECOD	97-08-042	296-17-52123	NEW	97-12-011
296-10-400	REP	97-17-064	296-11-330	DECOD	97-08-042	296-17-52124	NEW-E	97-08-043
296-10-410	PREP-X	97-13-034	296-11-340	DECOD	97-08-042	296-17-52124	NEW-P	97-08-051
296-10-410	REP	97-17-064	296-11-350	DECOD	97-08-042	296-17-52124	NEW	97-12-011
296-10-420	PREP-X	97-13-034	296-11-360	DECOD	97-08-042	296-17-52125	NEW-E	97-08-043
296-10-420	REP	97-17-064	296-11-370	DECOD	97-08-042	296-17-52125	NEW-P	97-08-051
296-10-430	PREP-X	97-13-034	296-11-380	DECOD	97-08-042	296-17-52125	NEW	97-12-011
296-10-430	REP	97-17-064	296-11-390	DECOD	97-08-042	296-17-52126	NEW-E	97-08-043
296-10-440	PREP-X	97-13-034	296-11-400	DECOD	97-08-042	296-17-52126	NEW-P	97-08-051
296-10-440	REP	97-17-064	296-11-410	DECOD	97-08-042	296-17-52126	NEW	97-12-011
296-10-450	PREP-X	97-13-034	296-11-420	DECOD	97-08-042	296-17-89502	NEW	97-06-007
296-10-450	REP	97-17-064	296-11-430	DECOD	97-08-042	296-17-89502	AMD-E	97-08-043
296-10-460	PREP-X	97-13-034	296-11-440	DECOD	97-08-042	296-17-89502	AMD-P	97-08-051
296-10-460	REP	97-17-064	296-11-450	DECOD	97-08-042	296-17-89502	AMD	97-12-011
296-10-470	PREP-X	97-13-034	296-11-460	DECOD	97-08-042	296-20	PREP	97-02-096
296-10-470	REP	97-17-064	296-11-470	DECOD	97-08-042	296-20-125	PREP	97-02-097
296-10-480	PREP-X	97-13-034	296-11-480	DECOD	97-08-042	296-20-135	PREP	97-02-097
296-10-480	REP	97-17-064	296-11-490	DECOD	97-08-042	296-20-135	AMD-P	97-05-076
296-10-490	PREP-X	97-13-034	296-11-500	DECOD	97-08-042	296-20-135	AMD	97-10-017
296-10-490	REP	97-17-064	296-11-510	DECOD	97-08-042	296-20-200	AMD	97-09-036
296-10-500	PREP-X	97-13-034	296-11-520	DECOD	97-08-042	296-20-210	AMD	97-09-036
296-10-500	REP	97-17-064	296-11-530	DECOD	97-08-042	296-20-220	AMD	97-09-036
296-10-510	PREP-X	97-13-034	296-11-540	DECOD	97-08-042	296-23	PREP	97-02-096
296-10-510	REP	97-17-064	296-11-550	DECOD	97-08-042	296-23-220	PREP	97-02-097
296-10-520	PREP-X	97-13-034	296-11-560	DECOD	97-08-042	296-23-220	AMD-P	97-05-076
296-10-520	REP	97-17-064	296-11-570	DECOD	97-08-042	296-23-220	AMD	97-10-017
296-10-530	PREP-X	97-13-034	296-11-580	DECOD	97-08-042	296-23-230	PREP	97-02-097
296-10-530	REP	97-17-064	296-11-590	DECOD	97-08-042	296-23-230	AMD-P	97-05-076
296-10-540	PREP-X	97-13-034	296-17	PREP	97-15-139	296-23-230	AMD	97-10-017
296-10-540	REP	97-17-064	296-17	PREP	97-15-140	296-23-265	AMD	97-09-036
						296-23-26501	NEW	97-09-036

TABLE

Table of WAC Sections Affected

WAC #	ACTION	WSR #	WAC #	ACTION	WSR #	WAC #	ACTION	WSR #
296-23-26502	NEW	97-09-036	296-23A-215	REP	97-06-066	296-46-23062	AMD	97-12-016
296-23-26503	NEW	97-09-036	296-23A-220	REP	97-06-066	296-46-30001	AMD-P	97-03-083
296-23-26504	NEW	97-09-036	296-23A-225	REP	97-06-066	296-46-30001	AMD	97-12-016
296-23-26505	NEW	97-09-036	296-23A-230	REP	97-06-066	296-46-360	AMD-P	97-03-083
296-23-26506	NEW	97-09-036	296-23A-235	REP	97-06-066	296-46-360	AMD	97-12-016
296-23-267	NEW	97-09-036	296-23A-300	REP	97-06-066	296-46-370	AMD-P	97-03-083
296-23A	PREP	97-02-097	296-23A-310	REP	97-06-066	296-46-370	AMD	97-12-016
296-23A-0100	NEW	97-06-066	296-23A-315	REP	97-06-066	296-46-514	AMD-P	97-03-083
296-23A-0110	NEW	97-06-066	296-23A-320	REP	97-06-066	296-46-514	AMD	97-12-016
296-23A-0120	NEW	97-06-066	296-23A-400	REP	97-06-066	296-46-553	NEW-P	97-03-083
296-23A-0130	NEW	97-06-066	296-23A-430	REP	97-06-066	296-46-553	NEW	97-12-016
296-23A-0140	NEW	97-06-066	296-24	PREP	97-11-051	296-46-700	AMD-P	97-03-083
296-23A-0150	NEW	97-06-066	296-24-07801	AMD-P	97-03-085	296-46-700	AMD	97-12-016
296-23A-0160	NEW	97-06-066	296-24-07801	AMD	97-11-055	296-46-725	AMD-P	97-03-083
296-23A-0170	NEW	97-06-066	296-24-084	AMD-P	97-03-085	296-46-725	AMD	97-12-016
296-23A-0180	NEW	97-06-066	296-24-084	AMD	97-11-055	296-46-910	AMD-P	97-03-083
296-23A-0190	NEW	97-06-066	296-24-088	AMD-P	97-03-085	296-46-910	AMD-E	97-10-064
296-23A-0195	NEW	97-06-066	296-24-088	AMD	97-11-055	296-46-910	AMD	97-12-016
296-23A-0200	NEW	97-06-066	296-24-060	REP-P	97-17-079	296-46-910	AMD-P	97-14-111
296-23A-0210	NEW	97-06-066	296-24-061	NEW-P	97-17-079	296-46-910	AMD	97-16-070
296-23A-0220	NEW	97-06-066	296-24-06105	NEW-P	97-17-079	296-46-915	AMD-P	97-03-083
296-23A-0230	NEW	97-06-066	296-24-06110	NEW-P	97-17-079	296-46-915	AMD	97-12-016
296-23A-0240	NEW	97-06-066	296-24-06115	NEW-P	97-17-079	296-46-915	AMD-P	97-14-111
296-23A-0250	NEW	97-06-066	296-24-06120	NEW-P	97-17-079	296-46-920	AMD-P	97-03-083
296-23A-0300	NEW	97-06-066	296-24-06125	NEW-P	97-17-079	296-46-920	AMD	97-12-016
296-23A-0310	NEW	97-06-066	296-24-06130	NEW-P	97-17-079	296-46-930	AMD-P	97-14-111
296-23A-0350	NEW	97-06-066	296-24-06135	NEW-P	97-17-079	296-46-950	AMD-P	97-14-111
296-23A-0360	NEW	97-06-066	296-24-06140	NEW-P	97-17-079	296-46-960	NEW-P	97-14-111
296-23A-0400	NEW	97-06-066	296-24-06145	NEW-P	97-17-079	296-49	PREP	97-03-082
296-23A-0410	NEW	97-06-066	296-24-06150	NEW-P	97-17-079	296-49-005	REP-P	97-09-039
296-23A-0420	NEW	97-06-066	296-24-06155	NEW-P	97-17-079	296-49-005	REP	97-16-043
296-23A-0430	NEW	97-06-066	296-24-06160	NEW-P	97-17-079	296-49-010	REP-P	97-09-039
296-23A-0440	NEW	97-06-066	296-24-065	REP-P	97-17-079	296-49-010	REP	97-16-043
296-23A-0450	NEW	97-06-066	296-24-067	REP-P	97-17-079	296-49-015	REP-P	97-09-039
296-23A-0460	NEW	97-06-066	296-24-67501	AMD-P	97-13-062	296-49-015	REP	97-16-043
296-23A-0470	NEW	97-06-066	296-24-67505	AMD-P	97-13-062	296-49-020	REP-P	97-09-039
296-23A-0480	NEW	97-06-066	296-24-67507	AMD-P	97-13-062	296-49-020	REP	97-16-043
296-23A-0490	NEW	97-06-066	296-24-67509	AMD-P	97-13-062	296-49-025	REP-P	97-09-039
296-23A-0500	NEW	97-06-066	296-24-67511	AMD-P	97-13-062	296-49-025	REP	97-16-043
296-23A-0520	NEW	97-06-066	296-24-67513	AMD-P	97-13-062	296-49-030	REP-P	97-09-039
296-23A-0530	NEW	97-06-066	296-24-67515	AMD-P	97-13-062	296-49-030	REP	97-16-043
296-23A-0540	NEW	97-06-066	296-24-67517	AMD-P	97-13-062	296-49-035	REP-P	97-09-039
296-23A-0550	NEW	97-06-066	296-24-67519	AMD-P	97-13-062	296-49-035	REP	97-16-043
296-23A-0560	NEW	97-06-066	296-24-67520	NEW-P	97-13-062	296-49-040	REP-P	97-09-039
296-23A-0570	NEW	97-06-066	296-24-67521	NEW-P	97-13-062	296-49-040	REP	97-16-043
296-23A-0575	NEW	97-06-066	296-24-677	REP-P	97-13-062	296-49-045	REP-P	97-09-039
296-23A-0580	NEW	97-06-066	296-24-67701	REP-P	97-13-062	296-49-045	REP	97-16-043
296-23A-0600	NEW	97-06-066	296-24-070	REP-P	97-17-079	296-49-050	REP-P	97-09-039
296-23A-0610	NEW	97-06-066	296-27-15503	AMD-P	97-03-085	296-49-050	REP	97-16-043
296-23A-0620	NEW	97-06-066	296-27-15503	AMD	97-11-054	296-49-055	REP-P	97-09-039
296-23A-100	REP	97-06-066	296-44	PREP	97-16-119	296-49-055	REP	97-16-043
296-23A-105	REP	97-06-066	296-45	PREP	97-16-119	296-49-060	REP-P	97-09-039
296-23A-106	REP	97-06-066	296-46	PREP	97-02-095	296-49-060	REP	97-16-043
296-23A-110	REP	97-06-066	296-46	AMD-C	97-15-143	296-49-065	REP-P	97-09-039
296-23A-115	REP	97-06-066	296-46-090	AMD-P	97-03-083	296-49-065	REP	97-16-043
296-23A-120	REP	97-06-066	296-46-090	AMD	97-12-016	296-49A-010	NEW-P	97-09-039
296-23A-125	REP	97-06-066	296-46-090	AMD-P	97-14-111	296-49A-010	NEW	97-16-043
296-23A-130	REP	97-06-066	296-46-130	AMD-P	97-03-083	296-49A-020	NEW-P	97-09-039
296-23A-135	REP	97-06-066	296-46-130	AMD	97-12-016	296-49A-020	NEW	97-16-043
296-23A-140	REP	97-06-066	296-46-140	AMD-P	97-03-083	296-49A-030	NEW-P	97-09-039
296-23A-145	REP	97-06-066	296-46-140	AMD	97-12-016	296-49A-030	NEW	97-16-043
296-23A-150	REP	97-06-066	296-46-140	AMD	97-12-016	296-49A-040	NEW-P	97-09-039
296-23A-155	REP	97-06-066	296-46-150	REP-P	97-03-083	296-49A-040	NEW	97-16-043
296-23A-160	REP	97-06-066	296-46-150	REP	97-12-016	296-49A-040	NEW	97-16-043
296-23A-165	REP	97-06-066	296-46-21008	AMD-P	97-03-083	296-49A-050	NEW-P	97-09-039
296-23A-170	REP	97-06-066	296-46-21008	AMD	97-12-016	296-49A-050	NEW	97-16-043
296-23A-175	REP	97-06-066	296-46-21052	AMD-P	97-03-083	296-49A-060	NEW-P	97-09-039
296-23A-180	REP	97-06-066	296-46-21052	AMD	97-12-016	296-49A-060	NEW	97-16-043
296-23A-185	REP	97-06-066	296-46-21052	AMD-P	97-14-111	296-49A-070	NEW-P	97-09-039
296-23A-190	REP	97-06-066	296-46-225	AMD-P	97-03-083	296-49A-070	NEW	97-16-043
296-23A-195	REP	97-06-066	296-46-225	AMD	97-12-016	296-49A-080	NEW-P	97-09-039
296-23A-200	REP	97-06-066	296-46-23028	AMD-P	97-03-083	296-49A-080	NEW	97-16-043
296-23A-205	REP	97-06-066	296-46-23028	AMD	97-12-016	296-49A-090	NEW-P	97-09-039
296-23A-210	REP	97-06-066	296-46-23062	AMD-P	97-03-083	296-49A-090	NEW	97-16-043

Table of WAC Sections Affected

WAC #	ACTION	WSR #	WAC #	ACTION	WSR #	WAC #	ACTION	WSR #
296-49A-100	NEW-P	97-09-039	296-93-270	REP-P	97-14-110	296-104-415	REP-P	97-15-138
296-49A-100	NEW	97-16-043	296-93-280	REP-P	97-14-110	296-116-010	DECOD	97-08-042
296-49A-110	NEW-P	97-09-039	296-93-290	REP-P	97-14-110	296-116-020	DECOD	97-08-042
296-49A-110	NEW	97-16-043	296-93-300	AMD-P	97-03-132	296-116-030	DECOD	97-08-042
296-54	PREP	97-10-071	296-93-300	AMD	97-11-053	296-116-050	DECOD	97-08-042
296-62	PREP	97-05-047	296-93-300	REP-P	97-14-110	296-116-060	DECOD	97-08-042
296-62	PREP	97-06-101	296-93-320	REP-P	97-03-132	296-116-070	AMD	97-06-105
296-62	PREP	97-09-078	296-93-320	REP	97-11-053	296-116-070	DECOD	97-08-042
296-62-05413	AMD-P	97-03-085	296-93-320	REP-P	97-14-110	296-116-075	DECOD	97-08-042
296-62-05413	AMD	97-11-055	296-93-330	AMD-P	97-03-132	296-116-080	DECOD	97-08-042
296-62-07113	AMD-P	97-09-079	296-93-330	AMD	97-11-053	296-116-081	DECOD	97-08-042
296-62-07460	NEW-P	97-09-079	296-93-330	REP-P	97-14-110	296-116-082	PREP	97-06-102
296-62-07470	NEW-P	97-13-063	296-93A-010	NEW-P	97-14-110	296-116-082	AMD-E	97-08-040
296-62-07470	NEW	97-18-062	296-93A-020	NEW-P	97-14-110	296-116-082	DECOD	97-08-042
296-62-07473	NEW-P	97-13-063	296-93A-030	NEW-P	97-14-110	296-116-083	DECOD	97-08-042
296-62-07473	NEW	97-18-062	296-93A-040	NEW-P	97-14-110	296-116-085	DECOD	97-08-042
296-62-07475	NEW-P	97-13-063	296-93A-050	NEW-P	97-14-110	296-116-110	DECOD	97-08-042
296-62-07475	NEW	97-18-062	296-93A-070	NEW-P	97-14-110	296-116-115	DECOD	97-08-042
296-62-07477	NEW-P	97-13-063	296-93A-080	NEW-P	97-14-110	296-116-120	DECOD	97-08-042
296-62-07477	NEW	97-18-062	296-93A-090	NEW-P	97-14-110	296-116-140	DECOD	97-08-042
296-62-075	AMD-P	97-09-079	296-93A-100	NEW-P	97-14-110	296-116-150	DECOD	97-08-042
296-62-07501	AMD-P	97-09-079	296-93A-120	NEW-P	97-14-110	296-116-170	DECOD	97-08-042
296-62-07510	AMD-P	97-09-079	296-93A-140	NEW-P	97-14-110	296-116-175	DECOD	97-08-042
296-62-07515	AMD-P	97-09-079	296-93A-150	NEW-P	97-14-110	296-116-185	DECOD	97-08-042
296-62-07711	AMD-P	97-09-079	296-93A-160	NEW-P	97-14-110	296-116-200	AMD	97-06-106
296-62-07712	AMD-P	97-09-079	296-93A-170	NEW-P	97-14-110	296-116-200	DECOD	97-08-042
296-62-07715	AMD-P	97-09-079	296-93A-190	NEW-P	97-14-110	296-116-205	DECOD	97-08-042
296-62-07717	AMD-P	97-09-079	296-93A-200	NEW-P	97-14-110	296-116-2051	DECOD	97-08-042
296-62-07721	AMD-P	97-09-079	296-93A-210	NEW-P	97-14-110	296-116-300	AMD-P	97-08-041
296-62-07725	AMD-P	97-09-079	296-93A-220	NEW-P	97-14-110	296-116-300	DECOD	97-08-042
296-62-07728	AMD-P	97-09-079	296-93A-230	NEW-P	97-14-110	296-116-315	DECOD	97-08-042
296-62-07761	REP-P	97-09-079	296-93A-240	NEW-P	97-14-110	296-116-35001	DECOD	97-08-042
296-62-11015	AMD-P	97-13-062	296-93A-250	NEW-P	97-14-110	296-116-360	AMD-P	97-06-103
296-65-001	AMD-P	97-09-079	296-93A-260	NEW-P	97-14-110	296-116-360	AMD-E	97-06-104
296-65-030	AMD-P	97-09-079	296-93A-270	NEW-P	97-14-110	296-116-360	DECOD	97-08-042
296-86-020	AMD-P	97-03-132	296-93A-280	NEW-P	97-14-110	296-116-370	DECOD	97-08-042
296-86-020	AMD	97-11-053	296-93A-290	NEW-P	97-14-110	296-116-400	DECOD	97-08-042
296-86-030	AMD-P	97-03-132	296-93A-300	NEW-P	97-14-110	296-116-410	DECOD	97-08-042
296-86-030	AMD	97-11-053	296-93A-330	NEW-P	97-14-110	296-116-420	DECOD	97-08-042
296-86-050	AMD-P	97-03-132	296-99-010	AMD-P	97-09-079	296-116-500	DECOD	97-08-042
296-86-050	AMD	97-11-053	296-99-015	AMD-P	97-09-079	296-126-098	PREP	97-18-078
296-86-060	AMD-P	97-03-132	296-99-020	AMD-P	97-09-079	296-126-140	PREP-X	97-13-034
296-86-060	AMD	97-11-053	296-99-025	AMD-P	97-09-079	296-126-140	REP	97-17-064
296-86-070	AMD-P	97-03-132	296-99-030	AMD-P	97-09-079	296-128-013	NEW-W	97-03-073
296-86-070	AMD	97-11-053	296-99-035	AMD-P	97-09-079	296-128-530	PREP	97-18-079
296-86-075	AMD-P	97-03-132	296-99-040	AMD-P	97-09-079	296-129-020	PREP-X	97-13-034
296-86-075	AMD	97-11-053	296-99-045	AMD-P	97-09-079	296-129-020	REP	97-17-064
296-86-080	AMD-P	97-03-132	296-99-050	AMD-P	97-09-079	296-129-030	PREP-X	97-13-034
296-86-080	AMD	97-11-053	296-99-055	AMD-P	97-09-079	296-129-030	REP	97-17-064
296-86-090	NEW-P	97-03-132	296-99-060	AMD-P	97-09-079	296-129-040	PREP-X	97-13-034
296-86-090	NEW	97-11-053	296-99-065	AMD-P	97-09-079	296-129-040	REP	97-17-064
296-93-010	REP-P	97-14-110	296-99-070	AMD-P	97-09-079	296-150C-0040	AMD-P	97-09-039
296-93-020	REP-P	97-14-110	296-99-075	AMD-P	97-09-079	296-150C-0040	AMD	97-16-043
296-93-030	REP-P	97-14-110	296-99-080	AMD-P	97-09-079	296-150C-0090	NEW-W	97-04-070
296-93-040	REP-P	97-14-110	296-99-085	AMD-P	97-09-079	296-150C-0100	AMD-P	97-09-039
296-93-050	REP-P	97-14-110	296-99-090	AMD-P	97-09-079	296-150C-0100	AMD	97-16-043
296-93-070	REP-P	97-14-110	296-99-093	AMD-P	97-09-079	296-150C-1010	NEW-W	97-04-070
296-93-080	REP-P	97-14-110	296-99-095	AMD-P	97-09-079	296-150C-3000	AMD-P	97-03-132
296-93-090	REP-P	97-14-110	296-104	PREP	97-11-004	296-150C-3000	AMD	97-11-053
296-93-100	REP-P	97-14-110	296-104-107	NEW-P	97-15-138	296-150F-0040	AMD-P	97-09-039
296-93-120	REP-P	97-14-110	296-104-200	AMD-P	97-15-138	296-150F-0040	AMD	97-16-043
296-93-140	REP-P	97-14-110	296-104-215	AMD-P	97-15-138	296-150F-0100	AMD-P	97-09-039
296-93-150	REP-P	97-14-110	296-104-265	AMD-P	97-15-138	296-150F-0100	AMD	97-16-043
296-93-160	REP-P	97-14-110	296-104-270	AMD-P	97-15-138	296-150F-3000	AMD-P	97-03-132
296-93-170	REP-P	97-14-110	296-104-300	AMD-P	97-15-138	296-150F-3000	AMD	97-11-053
296-93-190	REP-P	97-14-110	296-104-305	AMD-P	97-15-138	296-150M-0040	AMD-P	97-09-039
296-93-200	REP-P	97-14-110	296-104-310	AMD-P	97-15-138	296-150M-0040	AMD	97-16-043
296-93-210	REP-P	97-14-110	296-104-320	AMD-P	97-15-138	296-150M-0100	AMD-P	97-09-039
296-93-220	REP-P	97-14-110	296-104-325	AMD-P	97-15-138	296-150M-0100	AMD	97-16-043
296-93-230	REP-P	97-14-110	296-104-330	AMD-P	97-15-138	296-150M-3000	AMD-P	97-03-132
296-93-240	REP-P	97-14-110	296-104-400	REP-P	97-15-138	296-150M-3000	AMD	97-11-053
296-93-250	REP-P	97-14-110	296-104-405	AMD-P	97-15-138	296-150P-0010	NEW-P	97-09-039
296-93-260	REP-P	97-14-110	296-104-410	REP-P	97-15-138	296-150P-0010	NEW	97-16-043

TABLE

Table of WAC Sections Affected

WAC #	ACTION	WSR #	WAC #	ACTION	WSR #	WAC #	ACTION	WSR #
296-150P-0020	NEW-P	97-09-039	296-150P-2000	NEW	97-16-043	296-155-48517	REP-P	97-16-091
296-150P-0020	NEW	97-16-043	296-150P-2010	NEW-P	97-09-039	296-155-48518	REP-P	97-16-091
296-150P-0030	NEW-P	97-09-039	296-150P-2010	NEW	97-16-043	296-155-48519	REP-P	97-16-091
296-150P-0030	NEW	97-16-043	296-150P-2020	NEW-P	97-09-039	296-155-48523	REP-P	97-16-091
296-150P-0040	NEW-P	97-09-039	296-150P-2020	NEW	97-16-043	296-155-48525	REP-P	97-16-091
296-150P-0040	NEW	97-16-043	296-150P-2030	NEW-P	97-09-039	296-155-48527	REP-P	97-16-091
296-150P-0060	NEW-P	97-09-039	296-150P-2030	NEW	97-16-043	296-155-48529	REP-P	97-16-091
296-150P-0060	NEW	97-16-043	296-150P-3000	NEW-P	97-09-039	296-155-48531	REP-P	97-16-091
296-150P-0100	NEW-P	97-09-039	296-150P-3000	NEW	97-16-043	296-155-48533	REP-P	97-16-091
296-150P-0100	NEW	97-16-043	296-150R	PREP	97-03-082	296-155-48536	REP-P	97-16-091
296-150P-0110	NEW-P	97-09-039	296-150R	AMD-P	97-09-039	296-155-487	NEW-P	97-16-091
296-150P-0110	NEW	97-16-043	296-150R	AMD	97-16-043	296-155-488	NEW-P	97-16-091
296-150P-0120	NEW-P	97-09-039	296-150R-0010	AMD-P	97-09-039	296-155-489	NEW-P	97-16-091
296-150P-0120	NEW	97-16-043	296-150R-0010	AMD	97-16-043	296-155-490	NEW-P	97-16-091
296-150P-0130	NEW-P	97-09-039	296-150R-0020	AMD-P	97-09-039	296-155-493	NEW-P	97-16-091
296-150P-0130	NEW	97-16-043	296-150R-0020	AMD	97-16-043	296-155-494	NEW-P	97-16-091
296-150P-0200	NEW-P	97-09-039	296-150R-0030	AMD-P	97-09-039	296-155-496	NEW-P	97-16-091
296-150P-0200	NEW	97-16-043	296-150R-0030	AMD	97-16-043	296-155-497	NEW-P	97-16-091
296-150P-0210	NEW-P	97-09-039	296-150R-0040	AMD-P	97-09-039	296-155-498	NEW-P	97-16-091
296-150P-0210	NEW	97-16-043	296-150R-0040	AMD	97-16-043	296-155-527	AMD-P	97-03-085
296-150P-0220	NEW-P	97-09-039	296-150R-0060	AMD-P	97-09-039	296-155-527	AMD	97-11-055
296-150P-0220	NEW	97-16-043	296-150R-0060	AMD	97-16-043	296-155-528	NEW-P	97-16-091
296-150P-0250	NEW-P	97-09-039	296-150R-0100	AMD-P	97-09-039	296-155-605	AMD-P	97-16-091
296-150P-0250	NEW	97-16-043	296-150R-0100	AMD	97-16-043	296-155-615	AMD-P	97-16-091
296-150P-0280	NEW-P	97-09-039	296-150R-0110	AMD-P	97-09-039	296-155-683	AMD-P	97-16-091
296-150P-0280	NEW	97-16-043	296-150R-0110	AMD	97-16-043	296-155-688	AMD-P	97-16-091
296-150P-0290	NEW-P	97-09-039	296-150R-0120	AMD-P	97-09-039	296-155-689	AMD-P	97-16-091
296-150P-0290	NEW	97-16-043	296-150R-0120	AMD	97-16-043	296-155-700	AMD-P	97-16-091
296-150P-0300	NEW-P	97-09-039	296-150R-0130	AMD-P	97-09-039	296-155-730	AMD-P	97-16-091
296-150P-0300	NEW	97-16-043	296-150R-0130	AMD	97-16-043	296-200	PREP	97-03-081
296-150P-0310	NEW-P	97-09-039	296-150R-0200	AMD-P	97-09-039	296-200-005	REP-P	97-16-090
296-150P-0310	NEW	97-16-043	296-150R-0200	AMD	97-16-043	296-200-015	REP-P	97-16-090
296-150P-0320	NEW-P	97-09-039	296-150R-0250	AMD-P	97-09-039	296-200-025	AMD-P	97-03-132
296-150P-0320	NEW	97-16-043	296-150R-0250	AMD	97-16-043	296-200-025	AMD	97-11-053
296-150P-0330	NEW-P	97-09-039	296-150R-0280	AMD-P	97-09-039	296-200-025	REP-P	97-16-090
296-150P-0330	NEW	97-16-043	296-150R-0280	AMD	97-16-043	296-200-035	REP-P	97-16-090
296-150P-0340	NEW-P	97-09-039	296-150R-0400	AMD-P	97-09-039	296-200-040	REP-P	97-16-090
296-150P-0340	NEW	97-16-043	296-150R-0400	AMD	97-16-043	296-200-050	AMD-P	97-03-132
296-150P-0350	NEW-P	97-09-039	296-150R-0640	AMD-P	97-09-039	296-200-050	AMD	97-11-053
296-150P-0350	NEW	97-16-043	296-150R-0640	AMD	97-16-043	296-200-050	REP-P	97-16-090
296-150P-0400	NEW-P	97-09-039	296-150R-0850	AMD-P	97-09-039	296-200-060	REP-P	97-16-090
296-150P-0400	NEW	97-16-043	296-150R-0850	AMD	97-16-043	296-200-070	REP-P	97-16-090
296-150P-0410	NEW-P	97-09-039	296-150R-1000	AMD-P	97-09-039	296-200-080	REP-P	97-16-090
296-150P-0410	NEW	97-16-043	296-150R-1000	AMD	97-16-043	296-200-090	REP-P	97-16-090
296-150P-0420	NEW-P	97-09-039	296-150R-2000	AMD-P	97-09-039	296-200-100	REP-P	97-16-090
296-150P-0420	NEW	97-16-043	296-150R-2000	AMD	97-16-043	296-200-110	REP-P	97-16-090
296-150P-0440	NEW-P	97-09-039	296-150R-2020	AMD-P	97-09-039	296-200-111	REP-P	97-16-090
296-150P-0440	NEW	97-16-043	296-150R-2020	AMD	97-16-043	296-200-112	REP-P	97-16-090
296-150P-0450	NEW-P	97-09-039	296-150R-3000	AMD-P	97-03-132	296-200-300	REP-P	97-16-090
296-150P-0450	NEW	97-16-043	296-150R-3000	AMD-P	97-09-039	296-200-310	REP-P	97-16-090
296-150P-0600	NEW-P	97-09-039	296-150R-3000	AMD	97-11-053	296-200-320	REP-P	97-16-090
296-150P-0600	NEW	97-16-043	296-150R-3000	AMD	97-16-043	296-200-330	REP-P	97-16-090
296-150P-0610	NEW-P	97-09-039	296-155	PREP	97-10-095	296-200-340	REP-P	97-16-090
296-150P-0610	NEW	97-16-043	296-155-24525	AMD-P	97-16-091	296-200-350	REP-P	97-16-090
296-150P-0620	NEW-P	97-09-039	296-155-481	AMD-P	97-16-091	296-200-360	REP-P	97-16-090
296-150P-0620	NEW	97-16-043	296-155-482	NEW-P	97-16-091	296-200-370	REP-P	97-16-090
296-150P-0630	NEW-P	97-09-039	296-155-483	AMD-P	97-16-091	296-200-380	REP-P	97-16-090
296-150P-0630	NEW	97-16-043	296-155-484	NEW-P	97-16-091	296-200-390	REP-P	97-16-090
296-150P-0640	NEW-P	97-09-039	296-155-485	AMD-P	97-16-091	296-200-400	REP-P	97-16-090
296-150P-0640	NEW	97-16-043	296-155-48503	REP-P	97-16-091	296-200-410	REP-P	97-16-090
296-150P-0700	NEW-P	97-09-039	296-155-48504	REP-P	97-16-091	296-200-900	AMD-P	97-03-132
296-150P-0700	NEW	97-16-043	296-155-48505	REP-P	97-16-091	296-200-900	AMD	97-11-053
296-150P-0710	NEW-P	97-09-039	296-155-48506	REP-P	97-16-091	296-200-900	REP-P	97-16-090
296-150P-0710	NEW	97-16-043	296-155-48507	REP-P	97-16-091	296-200A-005	NEW-P	97-16-090
296-150P-0720	NEW-P	97-09-039	296-155-48508	REP-P	97-16-091	296-200A-015	NEW-P	97-16-090
296-150P-0720	NEW	97-16-043	296-155-48509	REP-P	97-16-091	296-200A-025	NEW-P	97-16-090
296-150P-1000	NEW-P	97-09-039	296-155-48510	REP-P	97-16-091	296-200A-035	NEW-P	97-16-090
296-150P-1000	NEW	97-16-043	296-155-48511	REP-P	97-16-091	296-200A-040	NEW-P	97-16-090
296-150P-1010	NEW-P	97-09-039	296-155-48512	REP-P	97-16-091	296-200A-050	NEW-P	97-16-090
296-150P-1010	NEW	97-16-043	296-155-48513	REP-P	97-16-091	296-200A-060	NEW-P	97-16-090
296-150P-1020	NEW-P	97-09-039	296-155-48514	REP-P	97-16-091	296-200A-070	NEW-P	97-16-090
296-150P-1020	NEW	97-16-043	296-155-48515	REP-P	97-16-091	296-200A-080	NEW-P	97-16-090
296-150P-2000	NEW-P	97-09-039	296-155-48516	REP-P	97-16-091	296-200A-090	NEW-P	97-16-090

Table of WAC Sections Affected

WAC #	ACTION	WSR #	WAC #	ACTION	WSR #	WAC #	ACTION	WSR #
296-200A-110	NEW-P	97-16-090	296-306A-033	DECOD	97-09-013	296-306A-13035	DECOD	97-09-013
296-200A-111	NEW-P	97-16-090	296-306A-036	DECOD	97-09-013	296-306A-13040	DECOD	97-09-013
296-200A-112	NEW-P	97-16-090	296-306A-039	DECOD	97-09-013	296-306A-13045	DECOD	97-09-013
296-200A-300	NEW-P	97-16-090	296-306A-042	DECOD	97-09-013	296-306A-13050	DECOD	97-09-013
296-200A-305	NEW-P	97-16-090	296-306A-045	DECOD	97-09-013	296-306A-13055	DECOD	97-09-013
296-200A-310	NEW-P	97-16-090	296-306A-050	DECOD	97-09-013	296-306A-145	DECOD	97-09-013
296-200A-320	NEW-P	97-16-090	296-306A-055	DECOD	97-09-013	296-306A-14505	DECOD	97-09-013
296-200A-330	NEW-P	97-16-090	296-306A-05501	DECOD	97-09-013	296-306A-14510	DECOD	97-09-013
296-200A-340	NEW-P	97-16-090	296-306A-05503	DECOD	97-09-013	296-306A-14520	DECOD	97-09-013
296-200A-350	NEW-P	97-16-090	296-306A-05505	DECOD	97-09-013	296-306A-150	DECOD	97-09-013
296-200A-360	NEW-P	97-16-090	296-306A-05507	DECOD	97-09-013	296-306A-15003	DECOD	97-09-013
296-200A-370	NEW-P	97-16-090	296-306A-060	DECOD	97-09-013	296-306A-15006	DECOD	97-09-013
296-200A-380	NEW-P	97-16-090	296-306A-061	DECOD	97-09-013	296-306A-15009	DECOD	97-09-013
296-200A-390	NEW-P	97-16-090	296-306A-065	DECOD	97-09-013	296-306A-15012	DECOD	97-09-013
296-200A-400	NEW-P	97-16-090	296-306A-070	DECOD	97-09-013	296-306A-160	DECOD	97-09-013
296-200A-405	NEW-P	97-16-090	296-306A-07001	DECOD	97-09-013	296-306A-16001	DECOD	97-09-013
296-200A-500	NEW-P	97-16-090	296-306A-07003	DECOD	97-09-013	296-306A-16003	AMD-P	97-03-131
296-200A-510	NEW-P	97-16-090	296-306A-07005	DECOD	97-09-013	296-306A-16003	AMD-E	97-06-040
296-200A-900	NEW-P	97-16-090	296-306A-07007	DECOD	97-09-013	296-306A-16003	AMD	97-08-051A
296-304-010	AMD-P	97-13-062	296-306A-07009	DECOD	97-09-013	296-306A-16003	DECOD	97-09-013
296-304-01001	AMD-P	97-13-062	296-306A-07011	DECOD	97-09-013	296-306A-16005	DECOD	97-09-013
296-304-03001	AMD-P	97-13-062	296-306A-07013	DECOD	97-09-013	296-306A-16007	DECOD	97-09-013
296-304-03003	AMD-P	97-13-062	296-306A-073	DECOD	97-09-013	296-306A-16009	DECOD	97-09-013
296-304-03005	AMD-P	97-13-062	296-306A-076	DECOD	97-09-013	296-306A-16011	DECOD	97-09-013
296-304-03007	AMD-P	97-13-062	296-306A-076	DECOD	97-09-013	296-306A-16013	AMD-P	97-03-131
296-304-05007	AMD-P	97-13-062	296-306A-080	DECOD	97-09-013	296-306A-16013	AMD-E	97-04-048
296-304-05013	AMD-P	97-13-062	296-306A-08003	DECOD	97-09-013	296-306A-16013	AMD	97-08-051A
296-304-06013	AMD-P	97-13-062	296-306A-08006	DECOD	97-09-013	296-306A-16013	DECOD	97-09-013
296-304-07013	AMD-P	97-13-062	296-306A-08009	DECOD	97-09-013	296-306A-16015	DECOD	97-09-013
296-304-08007	AMD-P	97-13-062	296-306A-08012	DECOD	97-09-013	296-306A-16017	DECOD	97-09-013
296-304-08009	AMD-P	97-13-062	296-306A-08015	DECOD	97-09-013	296-306A-16019	DECOD	97-09-013
296-304-090	AMD-P	97-13-062	296-306A-08018	AMD-P	97-03-131	296-306A-16021	DECOD	97-09-013
296-304-09001	AMD-P	97-13-062	296-306A-08018	AMD	97-08-051A	296-306A-16023	DECOD	97-09-013
296-304-09003	AMD-P	97-13-062	296-306A-08018	DECOD	97-09-013	296-306A-185	DECOD	97-09-013
296-304-09005	AMD-P	97-13-062	296-306A-08021	DECOD	97-09-013	296-306A-18503	DECOD	97-09-013
296-304-09007	AMD-P	97-13-062	296-306A-085	DECOD	97-09-013	296-306A-18506	DECOD	97-09-013
296-304-09009	NEW-P	97-13-062	296-306A-090	DECOD	97-09-013	296-306A-18509	DECOD	97-09-013
296-304-09011	NEW-P	97-13-062	296-306A-095	DECOD	97-09-013	296-306A-18512	DECOD	97-09-013
296-304-09013	NEW-P	97-13-062	296-306A-09503	DECOD	97-09-013	296-306A-18515	DECOD	97-09-013
296-304-09015	NEW-P	97-13-062	296-306A-09506	DECOD	97-09-013	296-306A-190	DECOD	97-09-013
296-304-09017	NEW-P	97-13-062	296-306A-09509	DECOD	97-09-013	296-306A-19003	DECOD	97-09-013
296-304-09019	NEW-P	97-13-062	296-306A-09512	DECOD	97-09-013	296-306A-19006	DECOD	97-09-013
296-304-09021	NEW-P	97-13-062	296-306A-09515	DECOD	97-09-013	296-306A-19009	DECOD	97-09-013
296-304-09023	NEW-P	97-13-062	296-306A-09518	DECOD	97-09-013	296-306A-19012	DECOD	97-09-013
296-306-060	REP-P	97-03-131	296-306A-100	DECOD	97-09-013	296-306A-19015	DECOD	97-09-013
296-306-060	REP-E	97-06-040	296-306A-10005	DECOD	97-09-013	296-306A-19018	DECOD	97-09-013
296-306-060	REP	97-08-051A	296-306A-10010	DECOD	97-09-013	296-306A-195	DECOD	97-09-013
296-306-060	REP-W	97-12-063	296-306A-10015	DECOD	97-09-013	296-306A-200	DECOD	97-09-013
296-306-330	REP-P	97-03-131	296-306A-10020	DECOD	97-09-013	296-306A-20005	DECOD	97-09-013
296-306-330	REP-E	97-06-040	296-306A-10025	DECOD	97-09-013	296-306A-20010	DECOD	97-09-013
296-306-330	REP	97-08-051A	296-306A-107	DECOD	97-09-013	296-306A-20015	DECOD	97-09-013
296-306-330	REP-W	97-12-063	296-306A-110	DECOD	97-09-013	296-306A-205	DECOD	97-09-013
296-306-400	REP-P	97-03-131	296-306A-11005	DECOD	97-09-013	296-306A-20505	DECOD	97-09-013
296-306-400	REP-E	97-06-040	296-306A-11010	DECOD	97-09-013	296-306A-20510	DECOD	97-09-013
296-306-400	REP	97-08-051A	296-306A-11015	DECOD	97-09-013	296-306A-20515	DECOD	97-09-013
296-306-400	REP-W	97-12-063	296-306A-120	DECOD	97-09-013	296-306A-220	DECOD	97-09-013
296-306-40007	REP-P	97-03-131	296-306A-12005	DECOD	97-09-013	296-306A-22003	DECOD	97-09-013
296-306-40007	REP-E	97-06-040	296-306A-12010	DECOD	97-09-013	296-306A-22006	DECOD	97-09-013
296-306-40007	REP	97-08-051A	296-306A-12015	DECOD	97-09-013	296-306A-22009	DECOD	97-09-013
296-306-40007	REP-W	97-12-063	296-306A-12020	DECOD	97-09-013	296-306A-22012	DECOD	97-09-013
296-306-40009	REP-P	97-03-131	296-306A-12025	DECOD	97-09-013	296-306A-22015	DECOD	97-09-013
296-306-40009	REP-E	97-06-040	296-306A-12035	DECOD	97-09-013	296-306A-225	DECOD	97-09-013
296-306-40009	REP	97-08-051A	296-306A-12035	DECOD	97-09-013	296-306A-22503	DECOD	97-09-013
296-306-40009	REP-W	97-12-063	296-306A-12040	DECOD	97-09-013	296-306A-22506	DECOD	97-09-013
296-306A-003	DECOD	97-09-013	296-306A-12045	DECOD	97-09-013	296-306A-22509	DECOD	97-09-013
296-306A-006	DECOD	97-09-013	296-306A-12050	DECOD	97-09-013	296-306A-230	DECOD	97-09-013
296-306A-009	DECOD	97-09-013	296-306A-12055	DECOD	97-09-013	296-306A-232	DECOD	97-09-013
296-306A-012	DECOD	97-09-013	296-306A-130	DECOD	97-09-013	296-306A-240	DECOD	97-09-013
296-306A-015	DECOD	97-09-013	296-306A-13005	DECOD	97-09-013	296-306A-24001	DECOD	97-09-013
296-306A-018	DECOD	97-09-013	296-306A-13010	DECOD	97-09-013	296-306A-24003	DECOD	97-09-013
296-306A-021	DECOD	97-09-013	296-306A-13015	DECOD	97-09-013	296-306A-24006	DECOD	97-09-013
296-306A-024	DECOD	97-09-013	296-306A-13020	DECOD	97-09-013	296-306A-24009	DECOD	97-09-013
296-306A-030	DECOD	97-09-013	296-306A-13025	DECOD	97-09-013	296-306A-24012	DECOD	97-09-013
			296-306A-13030	DECOD	97-09-013	296-306A-24015	DECOD	97-09-013

TABLE

Table of WAC Sections Affected

WAC #	ACTION	WSR #	WAC #	ACTION	WSR #	WAC #	ACTION	WSR #
296-307-53007	RECOD	97-09-013	296-401-080	AMD-P	97-03-083	308-17-130	AMD-P	97-13-080
296-307-53009	RECOD	97-09-013	296-401-080	AMD	97-12-016	308-17-130	AMD	97-17-051
296-307-53011	RECOD	97-09-013	296-401-090	AMD-P	97-03-083	308-17-140	AMD-P	97-13-080
296-307-53013	RECOD	97-09-013	296-401-090	AMD	97-12-016	308-17-140	AMD	97-17-051
296-307-53015	RECOD	97-09-013	296-401-100	AMD-P	97-03-083	308-17-150	AMD-P	97-13-080
296-307-53017	RECOD	97-09-013	296-401-100	AMD	97-12-016	308-17-150	AMD	97-17-051
296-400-005	REP-P	97-03-084	296-401-100	AMD-P	97-14-111	308-17-160	AMD-P	97-13-080
296-400-005	REP	97-11-052	296-401-120	AMD-P	97-03-083	308-17-160	AMD	97-17-051
296-400-020	REP-P	97-03-084	296-401-120	AMD	97-12-016	308-17-165	AMD-P	97-13-080
296-400-020	REP	97-11-052	296-401-163	AMD-P	97-14-111	308-17-165	AMD	97-17-051
296-400-030	REP-P	97-03-084	296-401-165	AMD-P	97-03-083	308-17-170	AMD-P	97-13-080
296-400-030	REP	97-11-052	296-401-165	AMD	97-12-016	308-17-170	AMD	97-17-051
296-400-035	REP-P	97-03-084	296-401-165	AMD-P	97-14-111	308-17-180	NEW-P	97-13-080
296-400-035	REP	97-11-052	296-401-170	AMD-P	97-14-111	308-17-180	NEW	97-17-051
296-400-045	REP-P	97-03-084	296-401-175	AMD-P	97-03-083	308-17-185	NEW-P	97-13-080
296-400-045	REP	97-11-052	296-401-175	AMD	97-12-016	308-17-185	NEW	97-17-051
296-400-050	REP-P	97-03-084	296-401-175	AMD-P	97-14-111	308-17-190	NEW-P	97-13-080
296-400-050	REP	97-11-052	308-10-050	AMD-P	97-14-103	308-17-190	NEW	97-17-051
296-400-070	REP-P	97-03-084	308-10-050	AMD	97-17-009	308-17-205	AMD-P	97-13-080
296-400-070	REP	97-11-052	308-11-140	NEW-P	97-07-035	308-17-205	AMD	97-17-051
296-400-100	REP-P	97-03-084	308-11-140	NEW	97-10-046	308-17-210	AMD-P	97-13-080
296-400-100	REP	97-11-052	308-11-150	NEW-P	97-07-035	308-17-210	AMD	97-17-051
296-400-110	REP-P	97-03-084	308-11-150	NEW	97-10-046	308-17-230	AMD-P	97-13-080
296-400-110	REP	97-11-052	308-11-160	NEW-P	97-07-035	308-17-230	AMD	97-17-051
296-400-120	REP-P	97-03-084	308-11-160	NEW	97-10-046	308-17-240	AMD-P	97-13-080
296-400-120	REP	97-11-052	308-12-025	AMD	97-03-121	308-17-240	AMD	97-17-051
296-400-130	REP-P	97-03-084	308-12-031	AMD	97-03-121	308-17-300	AMD-P	97-13-080
296-400-130	REP	97-11-052	308-12-040	AMD	97-03-121	308-17-300	AMD	97-17-051
296-400-140	REP-P	97-03-084	308-12-050	AMD	97-03-121	308-17-310	AMD-P	97-13-080
296-400-140	REP	97-11-052	308-12-140	REP	97-03-121	308-17-310	AMD	97-17-051
296-400-300	REP-P	97-03-084	308-12-145	REP	97-03-121	308-17-320	AMD-P	97-13-080
296-400-300	REP	97-11-052	308-12-210	NEW	97-03-121	308-17-320	AMD	97-17-051
296-400A-005	NEW-P	97-03-085	308-12-220	NEW	97-03-121	308-18-020	AMD-P	97-13-081
296-400A-005	NEW	97-11-052	308-12-230	NEW	97-03-121	308-18-020	AMD	97-17-050
296-400A-020	NEW-P	97-03-085	308-12-240	NEW-W	97-03-065	308-18-030	AMD-P	97-13-081
296-400A-020	NEW	97-11-052	308-12-240	NEW	97-03-121	308-18-030	AMD	97-17-050
296-400A-030	NEW-P	97-03-085	308-12-250	NEW-W	97-03-065	308-18-100	AMD-P	97-13-081
296-400A-030	NEW	97-11-052	308-12-260	NEW-W	97-03-065	308-18-100	AMD	97-17-050
296-400A-031	NEW-P	97-03-085	308-12-320	AMD	97-06-064	308-18-110	AMD-P	97-13-081
296-400A-031	NEW	97-11-052	308-12-324	AMD	97-03-121	308-18-110	AMD	97-17-050
296-400A-032	NEW-P	97-03-085	308-12-326	AMD	97-06-064	308-18-120	AMD-P	97-13-081
296-400A-032	NEW	97-11-052	308-12-326	AMD-P	97-10-080	308-18-120	AMD	97-17-050
296-400A-033	NEW-P	97-03-085	308-12-326	AMD	97-13-095	308-18-140	AMD-P	97-13-081
296-400A-033	NEW	97-11-052	308-13-045	NEW-P	97-03-022	308-18-140	AMD	97-17-050
296-400A-035	NEW-P	97-03-085	308-13-045	NEW	97-06-065	308-18-150	AMD-P	97-13-081
296-400A-035	NEW	97-11-052	308-13-160	AMD-P	97-03-022	308-18-150	AMD	97-17-050
296-400A-045	NEW-P	97-03-085	308-13-160	AMD	97-06-065	308-18-170	AMD-P	97-13-081
296-400A-045	NEW	97-11-052	308-13-210	NEW	97-10-026	308-18-170	AMD	97-17-050
296-400A-050	NEW-P	97-03-085	308-13-220	NEW	97-10-026	308-18-180	NEW-P	97-13-081
296-400A-050	NEW	97-11-052	308-13-230	NEW	97-10-026	308-18-180	NEW	97-17-050
296-400A-070	NEW-P	97-03-085	308-13-240	NEW	97-10-026	308-18-185	NEW-P	97-13-081
296-400A-070	NEW	97-11-052	308-14-210	NEW-P	97-07-031	308-18-185	NEW	97-17-050
296-400A-100	NEW-P	97-03-085	308-14-210	NEW	97-10-053	308-18-190	NEW-P	97-13-081
296-400A-100	NEW	97-11-052	308-14-220	NEW-P	97-07-031	308-18-190	NEW	97-17-050
296-400A-110	NEW-P	97-03-085	308-14-220	NEW	97-10-053	308-18-240	AMD-P	97-13-081
296-400A-110	NEW	97-11-052	308-14-230	NEW-P	97-07-031	308-18-240	AMD	97-17-050
296-400A-120	NEW-P	97-03-085	308-14-230	NEW	97-10-053	308-18-300	AMD-P	97-13-081
296-400A-120	NEW	97-11-052	308-17	AMD-P	97-13-080	308-18-300	AMD	97-17-050
296-400A-121	NEW-P	97-03-085	308-17	AMD	97-17-051	308-19-400	NEW-P	97-07-026
296-400A-121	NEW	97-11-052	308-17-010	AMD-P	97-13-080	308-19-400	NEW	97-10-047
296-400A-130	NEW-P	97-03-085	308-17-010	AMD	97-17-051	308-19-410	NEW-P	97-07-026
296-400A-130	NEW	97-11-052	308-17-020	AMD-P	97-13-080	308-19-410	NEW	97-10-047
296-400A-140	NEW-P	97-03-085	308-17-020	AMD	97-17-051	308-19-420	NEW-P	97-07-026
296-400A-140	NEW	97-11-052	308-17-030	AMD-P	97-13-080	308-19-420	NEW	97-10-047
296-400A-300	NEW-P	97-03-085	308-17-030	AMD	97-17-051	308-20-160	PREP-X	97-13-026
296-400A-300	NEW	97-11-052	308-17-100	AMD-P	97-13-080	308-20-160	REP	97-17-062
296-400A-400	NEW-P	97-03-085	308-17-100	AMD	97-17-051	308-20-500	PREP-X	97-13-026
296-400A-400	NEW	97-11-052	308-17-105	AMD-P	97-13-080	308-20-500	REP	97-17-062
296-400A-425	NEW-P	97-03-085	308-17-105	AMD	97-17-051	308-20-710	NEW-P	97-07-032
296-400A-425	NEW	97-11-052	308-17-110	AMD-P	97-13-080	308-20-710	NEW	97-10-049
296-401	PREP	97-02-095	308-17-110	AMD	97-17-051	308-20-720	NEW-P	97-07-032
296-401	AMD-C	97-15-143	308-17-120	AMD-P	97-13-080	308-20-720	NEW	97-10-049
296-401-060	AMD-P	97-14-111	308-17-120	AMD	97-17-051	308-20-730	NEW-P	97-07-032

TABLE

Table of WAC Sections Affected

WAC #	ACTION	WSR #	WAC #	ACTION	WSR #	WAC #	ACTION	WSR #
308-20-730	NEW	97-10-049	308-56A-320	AMD-P	97-09-002	308-57-135	NEW	97-12-015
308-29-090	NEW-P	97-07-033	308-56A-320	AMD-W	97-13-009	308-57-140	AMD-P	97-07-069
308-29-090	NEW-W	97-09-022	308-56A-325	AMD-P	97-09-002	308-57-140	AMD	97-12-015
308-29-100	NEW-P	97-07-033	308-56A-325	AMD-W	97-13-009	308-57-210	AMD-P	97-07-069
308-29-100	NEW-W	97-09-022	308-56A-330	AMD-P	97-09-002	308-57-210	AMD	97-12-015
308-29-110	NEW-P	97-07-033	308-56A-330	AMD-W	97-13-009	308-57-220	REP-P	97-07-069
308-29-110	NEW-W	97-09-022	308-56A-335	AMD-P	97-09-002	308-57-220	REP	97-12-015
308-30-170	NEW-P	97-07-029	308-56A-335	AMD-W	97-13-009	308-57-230	AMD-P	97-07-069
308-30-170	NEW	97-10-052	308-56A-340	REP-P	97-09-002	308-57-230	AMD	97-12-015
308-30-180	NEW-P	97-07-029	308-56A-340	REP-W	97-13-009	308-57-240	AMD-P	97-07-069
308-30-180	NEW	97-10-052	308-56A-345	REP-P	97-09-002	308-57-240	AMD	97-12-015
308-30-190	NEW-P	97-07-029	308-56A-345	REP-W	97-13-009	308-57-250	REP-P	97-07-069
308-30-190	NEW	97-10-052	308-56A-350	AMD-P	97-09-002	308-57-250	REP	97-12-015
308-32-100	NEW-P	97-07-027	308-56A-350	AMD-W	97-13-009	308-57-310	REP-P	97-07-069
308-32-100	NEW	97-10-050	308-56A-355	REP-P	97-09-002	308-57-310	REP	97-12-015
308-32-110	NEW-P	97-07-027	308-56A-355	REP-W	97-13-009	308-57-320	REP-P	97-07-069
308-32-110	NEW	97-10-050	308-56A-360	AMD-P	97-09-002	308-57-320	REP	97-12-015
308-32-120	NEW-P	97-07-027	308-56A-360	AMD-W	97-13-009	308-57-410	REP-P	97-07-069
308-32-120	NEW	97-10-050	308-56A-365	AMD-P	97-09-002	308-57-410	REP	97-12-015
308-33-110	NEW-P	97-07-030	308-56A-365	AMD-W	97-13-009	308-57-420	REP-P	97-07-069
308-33-110	NEW	97-10-054	308-56A-370	NEW-P	97-09-002	308-57-420	REP	97-12-015
308-33-120	NEW-P	97-07-030	308-56A-370	NEW-W	97-13-009	308-57-430	REP-P	97-07-069
308-33-120	NEW	97-10-054	308-56A-400	REP-P	97-09-002	308-57-430	REP	97-12-015
308-33-130	NEW-P	97-07-030	308-56A-400	REP-W	97-13-009	308-57-440	REP-P	97-07-069
308-33-130	NEW	97-10-054	308-56A-405	REP-P	97-09-002	308-57-440	REP	97-12-015
308-48-030	AMD-P	97-16-064	308-56A-405	REP-W	97-13-009	308-58-010	AMD-P	97-03-096
308-48-031	AMD-P	97-16-063	308-56A-410	REP-P	97-09-002	308-58-010	AMD-S	97-08-005
308-48-150	AMD-P	97-16-062	308-56A-410	REP-W	97-13-009	308-58-010	AMD	97-11-049
308-48-160	AMD-P	97-16-062	308-56A-415	REP-P	97-09-002	308-58-030	AMD-P	97-03-096
308-48-810	NEW-P	97-16-060	308-56A-415	REP-W	97-13-009	308-58-030	AMD-S	97-08-005
308-48-820	NEW-P	97-16-060	308-56A-470	AMD	97-07-014	308-58-030	AMD	97-11-049
308-48-830	NEW-P	97-16-060	308-56A-610	AMD-P	97-06-028	308-58-040	AMD-P	97-03-096
308-49-162	REP-P	97-16-061	308-56A-610	AMD-S	97-09-038	308-58-040	AMD-S	97-08-005
308-49-164	AMD-P	97-16-061	308-56A-610	AMD	97-14-034	308-58-040	AMD	97-11-049
308-56A	PREP	97-15-037	308-56A-620	AMD-P	97-06-028	308-58-050	NEW-P	97-03-096
308-56A-060	AMD-P	97-09-002	308-56A-620	AMD-S	97-09-038	308-58-050	NEW-S	97-08-005
308-56A-060	AMD-W	97-13-009	308-56A-620	AMD	97-14-034	308-58-050	NEW	97-11-049
308-56A-065	AMD	97-03-076	308-56A-630	REP-P	97-06-028	308-72-506	PREP-X	97-13-026
308-56A-070	AMD	97-03-076	308-56A-630	REP-S	97-09-038	308-72-506	REP	97-17-062
308-56A-075	AMD	97-03-076	308-56A-630	REP	97-14-034	308-72-510	PREP-X	97-13-026
308-56A-095	NEW-P	97-15-091	308-56A-640	AMD-P	97-06-028	308-72-510	REP	97-17-062
308-56A-150	AMD	97-07-014	308-56A-640	AMD-S	97-09-038	308-72-543	PREP-X	97-13-026
308-56A-160	AMD	97-07-014	308-56A-640	AMD	97-14-034	308-72-543	REP	97-17-062
308-56A-200	AMD-P	97-09-002	308-56A-650	AMD-P	97-06-028	308-76-005	PREP-X	97-13-026
308-56A-200	AMD-W	97-13-009	308-56A-650	AMD-S	97-09-038	308-76-005	REP	97-17-062
308-56A-205	AMD-P	97-09-002	308-56A-650	AMD	97-14-034	308-76-400	PREP-X	97-13-026
308-56A-205	AMD-W	97-13-009	308-56A-660	AMD-P	97-06-028	308-76-400	REP	97-17-062
308-56A-210	AMD-P	97-09-002	308-56A-660	AMD-S	97-09-038	308-76-405	PREP-X	97-13-026
308-56A-210	AMD-W	97-13-009	308-56A-660	AMD	97-14-034	308-76-405	REP	97-17-062
308-56A-215	AMD-P	97-09-002	308-56A-670	AMD-P	97-06-028	308-76-410	PREP-X	97-13-026
308-56A-215	AMD-W	97-13-009	308-56A-670	AMD-S	97-09-038	308-76-410	REP	97-17-062
308-56A-250	AMD-P	97-09-002	308-56A-680	AMD	97-14-034	308-76-415	PREP-X	97-13-026
308-56A-250	AMD-W	97-13-009	308-56A-680	AMD-P	97-06-028	308-76-415	REP	97-17-062
308-56A-255	REP-P	97-09-002	308-56A-680	AMD-S	97-09-038	308-76-420	PREP-X	97-13-026
308-56A-255	REP-W	97-13-009	308-56A-680	AMD	97-14-034	308-76-420	REP	97-17-062
308-56A-265	AMD-P	97-09-002	308-56A-690	AMD-P	97-06-028	308-76-425	PREP-X	97-13-026
308-56A-265	AMD-W	97-13-009	308-56A-690	AMD-S	97-09-038	308-76-425	REP	97-17-062
308-56A-270	AMD-P	97-09-002	308-56A-690	AMD	97-14-034	308-76-430	PREP-X	97-13-026
308-56A-270	AMD-W	97-13-009	308-57-005	AMD-P	97-07-069	308-76-430	REP	97-17-062
308-56A-275	AMD-P	97-09-002	308-57-005	AMD	97-12-015	308-77-030	PREP-X	97-13-026
308-56A-275	AMD-W	97-13-009	308-57-010	AMD-P	97-07-069	308-77-030	REP	97-17-062
308-56A-280	AMD-P	97-09-002	308-57-010	AMD	97-12-015	308-77-090	PREP-X	97-13-026
308-56A-280	AMD-W	97-13-009	308-57-020	AMD-P	97-07-069	308-77-090	REP	97-17-062
308-56A-285	AMD-P	97-09-002	308-57-020	AMD	97-12-015	308-93	PREP	97-12-026
308-56A-285	AMD-W	97-13-009	308-57-030	AMD-P	97-07-069	308-95-010	PREP-X	97-13-026
308-56A-300	AMD-P	97-09-002	308-57-030	AMD	97-12-015	308-95-010	REP	97-17-062
308-56A-300	AMD-W	97-13-009	308-57-110	AMD-P	97-07-069	308-95-020	PREP-X	97-13-026
308-56A-305	AMD-P	97-09-002	308-57-110	AMD	97-12-015	308-95-020	REP	97-17-062
308-56A-305	AMD-W	97-13-009	308-57-120	AMD-P	97-07-069	308-95-030	PREP-X	97-13-026
308-56A-310	AMD-P	97-09-002	308-57-120	AMD	97-12-015	308-95-030	REP	97-17-062
308-56A-310	AMD-W	97-13-009	308-57-130	AMD-P	97-07-069	308-96A	PREP	97-12-067
308-56A-315	AMD-P	97-09-002	308-57-130	AMD	97-12-015	308-96A-005	AMD-P	97-06-027
308-56A-315	AMD-W	97-13-009	308-57-135	NEW-P	97-07-069	308-96A-005	AMD	97-10-003

TABLE

Table of WAC Sections Affected

WAC #	ACTION	WSR #	WAC #	ACTION	WSR #	WAC #	ACTION	WSR #
308-96A-046	AMD-P	97-03-028	308-330-425	AMD	97-16-041	315-11-732	PREP-X	97-14-016
308-96A-046	AMD	97-07-013	308-330-436	AMD-P	97-07-015	315-11-740	PREP-X	97-14-016
308-96A-056	AMD-P	97-03-028	308-330-436	AMD	97-10-068	315-11-741	PREP-X	97-14-016
308-96A-056	AMD	97-07-013	308-330-462	AMD-P	97-07-015	315-11-742	PREP-X	97-14-016
308-96A-057	AMD-P	97-03-028	308-330-462	AMD	97-10-068	315-11-753	PREP-X	97-14-016
308-96A-057	AMD	97-07-013	308-330-800	AMD-P	97-07-015	315-11-754	PREP-X	97-14-016
308-96A-072	AMD-P	97-03-028	308-330-800	AMD	97-10-068	315-11-755	PREP-X	97-14-016
308-96A-072	AMD	97-07-013	308-330-825	AMD-P	97-07-015	315-11-760	PREP-X	97-14-016
308-96A-073	AMD	97-07-014	308-330-825	AMD	97-10-068	315-11-761	PREP-X	97-14-016
308-96A-074	AMD	97-07-014	308-420-250	NEW-P	97-07-034	315-11-762	PREP-X	97-14-016
308-96A-075	REP	97-07-014	308-420-250	NEW	97-10-048	315-11-770	PREP-X	97-14-016
308-96A-136	AMD-P	97-03-028	308-420-260	NEW-P	97-07-034	315-11-771	PREP-X	97-14-016
308-96A-136	AMD	97-07-013	308-420-260	NEW	97-10-048	315-11-772	PREP-X	97-14-016
308-96A-161	AMD-P	97-06-027	308-420-270	NEW-P	97-07-034	315-11-780	PREP-X	97-14-016
308-96A-161	AMD	97-10-003	308-420-270	NEW	97-10-048	315-11-781	PREP-X	97-14-016
308-96A-162	AMD-P	97-06-027	314-60-040	PREP	97-13-070	315-11-782	PREP-X	97-14-016
308-96A-162	AMD	97-10-003	315-06	PREP	97-11-057	315-11-790	PREP-X	97-14-016
308-124F-030	PREP	97-18-068	315-06	PREP	97-16-116	315-11-791	PREP-X	97-14-016
308-125-120	PREP	97-09-082	315-06-120	AMD-P	97-15-123	315-11-792	PREP-X	97-14-016
308-125-120	PREP	97-09-083	315-06-123	AMD-P	97-15-123	315-11-800	PREP-X	97-14-016
308-125-120	PREP	97-11-059	315-10-010	AMD	97-04-047	315-11-801	PREP-X	97-14-016
308-125-120	AMD-P	97-13-030	315-10-020	AMD	97-04-047	315-11-802	PREP-X	97-14-016
308-125-120	AMD-P	97-15-101	315-10-022	NEW	97-04-047	315-11-810	PREP-X	97-14-016
308-125-120	AMD	97-16-042	315-10-025	NEW	97-04-047	315-11-811	PREP-X	97-14-016
308-125-120	AMD-C	97-18-032	315-10-030	AMD	97-04-047	315-11-812	PREP-X	97-14-016
308-127-310	NEW-P	97-07-028	315-10-035	NEW	97-04-047	315-11-820	PREP-X	97-14-016
308-127-310	NEW	97-10-051	315-10-055	NEW	97-04-047	315-11-821	PREP-X	97-14-016
308-127-320	NEW-P	97-07-028	315-10-060	AMD	97-04-047	315-11-822	PREP-X	97-14-016
308-127-320	NEW	97-10-051	315-10-062	NEW	97-04-047	315-11-830	PREP-X	97-14-016
308-127-330	NEW-P	97-07-028	315-10-065	NEW	97-04-047	315-11-831	PREP-X	97-14-016
308-127-330	NEW	97-10-051	315-10-070	AMD	97-04-047	315-11-832	PREP-X	97-14-016
308-300-310	PREP	97-14-088	315-10-075	NEW	97-04-047	315-11-840	PREP-X	97-14-016
308-330-121	REP-P	97-07-015	315-11-600	PREP-X	97-14-016	315-11-841	PREP-X	97-14-016
308-330-121	REP	97-10-068	315-11-601	PREP-X	97-14-016	315-11-842	PREP-X	97-14-016
308-330-123	REP-P	97-07-015	315-11-602	PREP-X	97-14-016	315-11-850	PREP-X	97-14-016
308-330-123	REP	97-10-068	315-11-610	PREP-X	97-14-016	315-11-851	PREP-X	97-14-016
308-330-197	AMD-P	97-07-015	315-11-611	PREP-X	97-14-016	315-11-852	PREP-X	97-14-016
308-330-197	AMD	97-10-068	315-11-612	PREP-X	97-14-016	315-11-860	PREP-X	97-14-016
308-330-200	AMD-P	97-07-015	315-11-620	PREP-X	97-14-016	315-11-861	PREP-X	97-14-016
308-330-200	AMD	97-10-068	315-11-621	PREP-X	97-14-016	315-11-862	PREP-X	97-14-016
308-330-300	AMD-P	97-07-015	315-11-622	PREP-X	97-14-016	315-11-870	PREP-X	97-14-016
308-330-300	AMD	97-10-068	315-11-630	PREP-X	97-14-016	315-11-871	PREP-X	97-14-016
308-330-305	AMD-P	97-07-015	315-11-631	PREP-X	97-14-016	315-11-872	PREP-X	97-14-016
308-330-305	AMD	97-10-068	315-11-632	PREP-X	97-14-016	315-11-880	PREP-X	97-14-016
308-330-307	AMD-P	97-07-015	315-11-640	PREP-X	97-14-016	315-11-881	PREP-X	97-14-016
308-330-307	AMD	97-10-068	315-11-641	PREP-X	97-14-016	315-11-882	PREP-X	97-14-016
308-330-307	AMD-E	97-12-043	315-11-642	PREP-X	97-14-016	315-11-890	PREP-X	97-14-016
308-330-307	AMD-P	97-12-044	315-11-650	PREP-X	97-14-016	315-11-891	PREP-X	97-14-016
308-330-307	AMD	97-16-041	315-11-651	PREP-X	97-14-016	315-11-892	PREP-X	97-14-016
308-330-316	AMD-P	97-07-015	315-11-652	PREP-X	97-14-016	315-11-900	PREP-X	97-14-016
308-330-316	AMD	97-10-068	315-11-660	PREP-X	97-14-016	315-11-901	PREP-X	97-14-016
308-330-322	AMD-P	97-07-015	315-11-661	PREP-X	97-14-016	315-11-902	PREP-X	97-14-016
308-330-322	AMD	97-10-068	315-11-662	PREP-X	97-14-016	315-11-910	PREP-X	97-14-016
308-330-329	REP-P	97-07-015	315-11-670	PREP-X	97-14-016	315-11-911	PREP-X	97-14-016
308-330-329	REP	97-10-068	315-11-671	PREP-X	97-14-016	315-11-912	PREP-X	97-14-016
308-330-370	AMD-P	97-07-015	315-11-672	PREP-X	97-14-016	315-11-920	PREP-X	97-14-016
308-330-370	AMD	97-10-068	315-11-680	PREP-X	97-14-016	315-11-921	PREP-X	97-14-016
308-330-375	REP-P	97-07-015	315-11-681	PREP-X	97-14-016	315-11-922	PREP-X	97-14-016
308-330-375	REP	97-10-068	315-11-682	PREP-X	97-14-016	315-11-930	PREP-X	97-14-016
308-330-400	AMD-P	97-07-015	315-11-690	PREP-X	97-14-016	315-11-931	PREP-X	97-14-016
308-330-400	AMD	97-10-068	315-11-691	PREP-X	97-14-016	315-11-932	PREP-X	97-14-016
308-330-406	AMD-P	97-07-015	315-11-692	PREP-X	97-14-016	315-11-940	PREP-X	97-14-016
308-330-406	AMD	97-10-068	315-11-703	PREP-X	97-14-016	315-11-941	PREP-X	97-14-016
308-330-408	AMD-P	97-07-015	315-11-704	PREP-X	97-14-016	315-11-942	PREP-X	97-14-016
308-330-408	AMD	97-10-068	315-11-705	PREP-X	97-14-016	315-11-950	PREP-X	97-14-016
308-330-415	AMD-P	97-07-015	315-11-710	PREP-X	97-14-016	315-11-951	PREP-X	97-14-016
308-330-415	AMD	97-10-068	315-11-711	PREP-X	97-14-016	315-11-952	PREP-X	97-14-016
308-330-421	AMD-P	97-07-015	315-11-712	PREP-X	97-14-016	315-11-960	PREP-X	97-14-016
308-330-421	AMD	97-10-068	315-11-720	PREP-X	97-14-016	315-11-961	PREP-X	97-14-016
308-330-425	AMD-P	97-07-015	315-11-721	PREP-X	97-14-016	315-11-962	PREP-X	97-14-016
308-330-425	AMD	97-10-068	315-11-722	PREP-X	97-14-016	315-11-970	PREP-X	97-14-016
308-330-425	AMD-E	97-12-043	315-11-730	PREP-X	97-14-016	315-11-971	PREP-X	97-14-016
308-330-425	AMD-P	97-12-044	315-11-731	PREP-X	97-14-016	315-11-972	PREP-X	97-14-016

TABLE

Table of WAC Sections Affected

WAC #	ACTION	WSR #	WAC #	ACTION	WSR #	WAC #	ACTION	WSR #
315-11-980	PREP-X	97-14-016	315-11A-200	NEW	97-15-122	317-31-230	AMD-P	97-07-065
315-11-981	PREP-X	97-14-016	315-11A-201	NEW-P	97-11-058	317-31-230	AMD	97-10-097
315-11-982	PREP-X	97-14-016	315-11A-201	NEW	97-15-122	317-40	PREP	97-07-066
315-11-990	PREP-X	97-14-016	315-11A-202	NEW-P	97-11-058	317-50-010	NEW-P	97-07-064
315-11-991	PREP-X	97-14-016	315-11A-202	NEW	97-15-122	317-50-010	NEW	97-10-096
315-11-992	PREP-X	97-14-016	315-11A-203	NEW-P	97-11-058	317-50-020	NEW-P	97-07-064
315-11A	PREP	97-16-116	315-11A-203	NEW	97-15-122	317-50-020	NEW	97-10-096
315-11A-100	PREP-X	97-14-016	315-11A-204	NEW-P	97-15-123	317-50-030	NEW-P	97-07-064
315-11A-101	PREP-X	97-14-016	315-11A-205	NEW-P	97-15-123	317-50-030	NEW	97-10-096
315-11A-102	PREP-X	97-14-016	315-11A-206	NEW-P	97-15-123	317-50-040	NEW-P	97-07-064
315-11A-103	PREP-X	97-14-016	315-11A-207	NEW-P	97-15-123	317-50-040	NEW	97-10-096
315-11A-104	PREP-X	97-14-016	315-12-020	AMD-P	97-03-123	317-50-050	NEW-P	97-07-064
315-11A-105	PREP-X	97-14-016	315-12-020	AMD	97-07-063	317-50-050	NEW	97-10-096
315-11A-106	PREP-X	97-14-016	315-12-030	PREP	97-07-061	317-50-060	NEW-P	97-07-064
315-11A-107	PREP-X	97-14-016	315-12-030	AMD-P	97-11-058	317-50-060	NEW	97-10-096
315-11A-108	PREP-X	97-14-016	315-12-030	AMD	97-15-122	317-50-070	NEW-P	97-07-064
315-11A-109	PREP-X	97-14-016	315-12-080	AMD-P	97-03-123	317-50-070	NEW	97-10-096
315-11A-110	PREP-X	97-14-016	315-12-080	AMD	97-07-063	317-50-080	NEW-P	97-07-064
315-11A-111	PREP-X	97-14-016	315-12-090	AMD-P	97-03-123	317-50-080	NEW	97-10-096
315-11A-112	PREP-X	97-14-016	315-12-090	AMD	97-07-063	317-50-900	NEW-P	97-07-064
315-11A-113	PREP-X	97-14-016	315-32-010	PREP-X	97-14-016	317-50-900	NEW	97-10-096
315-11A-114	PREP-X	97-14-016	315-32-020	PREP-X	97-14-016	326-02-034	AMD-P	97-09-094
315-11A-115	PREP-X	97-14-016	315-32-030	PREP-X	97-14-016	326-02-034	AMD	97-17-045
315-11A-116	PREP-X	97-14-016	315-32-040	PREP-X	97-14-016	326-30-041	PREP	97-09-093
315-11A-117	PREP-X	97-14-016	315-32-050	PREP-X	97-14-016	326-30-041	AMD-P	97-13-067
315-11A-118	PREP-X	97-14-016	315-32-060	PREP-X	97-14-016	326-30-041	AMD	97-16-073
315-11A-119	PREP-X	97-14-016	315-33-010	PREP-X	97-14-016	332-24-221	AMD-P	97-09-065
315-11A-120	PREP-X	97-14-016	315-33-020	PREP-X	97-14-016	332-24-221	AMD	97-12-033
315-11A-121	PREP-X	97-14-016	315-33-030	PREP-X	97-14-016	332-24-720	AMD	97-05-066
315-11A-122	PREP-X	97-14-016	315-33-040	PREP-X	97-14-016	332-24-730	AMD	97-05-066
315-11A-123	PREP-X	97-14-016	315-33-050	PREP-X	97-14-016	332-26-040	NEW-E	97-14-044
315-11A-124	PREP-X	97-14-016	315-33-060	PREP-X	97-14-016	332-26-050	NEW-E	97-14-044
315-11A-125	PREP-X	97-14-016	315-33-070	PREP-X	97-14-016	352-12	PREP	97-18-071
315-11A-126	PREP-X	97-14-016	315-33B-010	PREP-X	97-14-016	352-24	PREP	97-18-069
315-11A-127	PREP-X	97-14-016	315-33B-020	PREP-X	97-14-016	352-32	PREP	97-18-070
315-11A-128	PREP-X	97-14-016	315-33B-030	PREP-X	97-14-016	352-32-010	PREP	97-15-152
315-11A-129	PREP-X	97-14-016	315-33B-040	PREP-X	97-14-016	352-32-010	AMD-P	97-18-080
315-11A-130	PREP-X	97-14-016	315-33B-050	PREP-X	97-14-016	352-32-210	PREP	97-15-152
315-11A-131	PREP-X	97-14-016	315-33B-060	PREP-X	97-14-016	352-32-210	AMD-P	97-18-080
315-11A-132	PREP-X	97-14-016	315-33B-070	PREP-X	97-14-016	352-32-235	PREP	97-06-063
315-11A-133	PREP-X	97-14-016	315-34	PREP	97-11-057	352-32-235	AMD-P	97-09-081
315-11A-134	PREP-X	97-14-016	315-34	PREP	97-16-116	352-32-235	AMD-W	97-09-113
315-11A-135	PREP-X	97-14-016	315-34-040	AMD-P	97-15-123	352-32-235	AMD-P	97-09-114
315-11A-136	PREP-X	97-14-016	315-40-010	PREP-X	97-14-016	352-32-235	AMD	97-12-042
315-11A-184	AMD-P	97-03-123	315-40-020	PREP-X	97-14-016	352-32-250	PREP	97-15-152
315-11A-184	AMD	97-07-063	315-40-030	PREP-X	97-14-016	352-32-250	AMD-P	97-18-080
315-11A-187	NEW-P	97-03-123	315-40-040	PREP-X	97-14-016	352-32-251	AMD-P	97-18-080
315-11A-187	NEW	97-07-063	315-40-050	PREP-X	97-14-016	352-32-252	PREP	97-15-152
315-11A-188	NEW-P	97-03-123	315-40-060	PREP-X	97-14-016	352-32-270	PREP	97-15-113
315-11A-188	NEW	97-07-063	315-40-070	PREP-X	97-14-016	352-32-270	AMD-P	97-18-080
315-11A-189	NEW-P	97-03-123	315-40-080	PREP-X	97-14-016	356-05-055	AMD-P	97-08-089
315-11A-189	NEW	97-07-063	315-41-50100	PREP-X	97-14-016	356-05-055	AMD-W	97-10-088
315-11A-190	NEW-P	97-03-123	315-41-50110	PREP-X	97-14-016	356-05-075	AMD-P	97-12-079
315-11A-190	NEW	97-07-063	315-41-50120	PREP-X	97-14-016	356-05-075	AMD-C	97-16-015
315-11A-191	NEW-P	97-03-123	315-41-50200	PREP-X	97-14-016	356-05-422	NEW-P	97-12-079
315-11A-191	NEW	97-07-063	315-41-50210	PREP-X	97-14-016	356-05-422	NEW-C	97-16-015
315-11A-192	NEW-P	97-07-062	315-41-50220	PREP-X	97-14-016	356-06-020	AMD-P	97-08-089
315-11A-192	NEW	97-11-003	315-41-50300	PREP-X	97-14-016	356-06-020	AMD-W	97-10-088
315-11A-193	NEW-P	97-07-062	315-41-50310	PREP-X	97-14-016	356-06-060	AMD-P	97-08-089
315-11A-193	NEW	97-11-003	315-41-50320	PREP-X	97-14-016	356-06-060	AMD-W	97-10-088
315-11A-194	NEW-P	97-07-062	315-41-50400	PREP-X	97-14-016	356-06-070	REP-P	97-08-089
315-11A-194	NEW	97-11-003	315-41-50410	PREP-X	97-14-016	356-06-070	REP-W	97-10-088
315-11A-195	NEW-P	97-07-062	315-41-50420	PREP-X	97-14-016	356-06-080	REP-P	97-08-089
315-11A-195	NEW	97-11-003	315-41-50500	PREP-X	97-14-016	356-06-080	REP-W	97-10-088
315-11A-196	NEW-P	97-11-058	315-41-50510	PREP-X	97-14-016	356-06-090	REP-P	97-08-089
315-11A-196	NEW	97-15-122	315-41-50520	PREP-X	97-14-016	356-06-090	REP-W	97-10-088
315-11A-197	NEW-P	97-11-058	315-41-50600	PREP-X	97-14-016	356-10-030	AMD-P	97-08-089
315-11A-197	NEW	97-15-122	315-41-50610	PREP-X	97-14-016	356-10-030	AMD-W	97-10-088
315-11A-198	NEW-P	97-11-058	315-41-50620	PREP-X	97-14-016	356-14-010	AMD-P	97-12-079
315-11A-198	NEW	97-15-122	317-31-200	AMD-P	97-07-065	356-14-010	AMD-C	97-16-015
315-11A-199	NEW-P	97-11-058	317-31-200	AMD	97-10-097	356-14-069	NEW-P	97-12-079
315-11A-199	NEW	97-15-122	317-31-220	AMD-P	97-07-065	356-14-069	NEW-C	97-16-015
315-11A-200	NEW-P	97-11-058	317-31-220	AMD	97-10-097	356-14-110	AMD-P	97-12-079

TABLE

Table of WAC Sections Affected

WAC #	ACTION	WSR #	WAC #	ACTION	WSR #	WAC #	ACTION	WSR #
356-14-110	AMD-C	97-16-015	363-11-460	RECOD	97-08-042	365-135-070	AMD	97-02-093
356-14-120	AMD-P	97-12-079	363-11-470	RECOD	97-08-042	371-08-310	AMD-E	97-12-003
356-14-120	AMD-C	97-16-015	363-11-480	RECOD	97-08-042	371-08-310	AMD-P	97-15-056
356-14-140	AMD-P	97-12-079	363-11-490	RECOD	97-08-042	371-08-335	AMD-E	97-12-003
356-14-140	AMD-C	97-16-015	363-11-500	RECOD	97-08-042	371-08-335	AMD-P	97-15-056
356-14-160	AMD-P	97-12-079	363-11-510	RECOD	97-08-042	371-08-555	AMD-P	97-15-056
356-14-160	AMD-C	97-16-015	363-11-520	RECOD	97-08-042	374-70-020	AMD-P	97-03-113
356-26-030	AMD-P	97-16-014	363-11-530	RECOD	97-08-042	374-70-020	AMD	97-06-080
356-30-065	AMD-E	97-09-028	363-11-540	RECOD	97-08-042	374-70-020	AMD-E	97-07-049
356-30-065	AMD-P	97-10-090	363-11-550	RECOD	97-08-042	374-70-030	AMD-P	97-03-113
356-30-065	AMD-W	97-13-044	363-11-560	RECOD	97-08-042	374-70-030	AMD	97-06-080
356-30-065	AMD-P	97-16-013	363-11-570	RECOD	97-08-042	374-70-030	AMD-E	97-07-049
356-30-067	AMD-E	97-09-028	363-11-580	RECOD	97-08-042	374-70-060	AMD-P	97-03-113
356-30-067	AMD-P	97-10-090	363-11-590	RECOD	97-08-042	374-70-060	AMD	97-06-080
356-30-067	AMD-W	97-13-044	363-116-010	RECOD	97-08-042	374-70-060	AMD-E	97-07-049
356-30-067	AMD-P	97-16-013	363-116-020	RECOD	97-08-042	374-70-070	AMD-P	97-03-113
356-30-330	AMD-P	97-12-079	363-116-030	RECOD	97-08-042	374-70-070	AMD	97-06-080
356-30-330	AMD-C	97-16-015	363-116-050	RECOD	97-08-042	374-70-070	AMD-E	97-07-049
356-34-020	AMD-P	97-12-079	363-116-060	RECOD	97-08-042	374-70-080	AMD-P	97-03-113
356-34-020	AMD	97-16-015	363-116-070	RECOD	97-08-042	374-70-080	AMD	97-06-080
356-56-115	AMD-P	97-14-100	363-116-075	RECOD	97-08-042	374-70-080	AMD-E	97-07-049
356-56-115	AMD	97-17-041	363-116-080	RECOD	97-08-042	374-70-090	AMD-P	97-03-113
356-56-205	AMD-P	97-14-100	363-116-081	RECOD	97-08-042	374-70-090	AMD	97-06-080
356-56-205	AMD	97-17-041	363-116-082	RECOD	97-08-042	374-70-090	AMD-E	97-07-049
356-56-550	AMD-P	97-14-100	363-116-082	AMD-P	97-10-084	374-70-100	AMD-P	97-03-113
356-56-550	AMD	97-17-041	363-116-082	AMD	97-14-032	374-70-100	AMD	97-06-080
363-11-001	RECOD	97-08-042	363-116-083	RECOD	97-08-042	374-70-100	AMD-E	97-07-049
363-11-003	RECOD	97-08-042	363-116-085	RECOD	97-08-042	374-70-110	REP-P	97-03-113
363-11-010	RECOD	97-08-042	363-116-110	RECOD	97-08-042	374-70-110	REP	97-06-080
363-11-020	RECOD	97-08-042	363-116-115	RECOD	97-08-042	374-70-110	REP-E	97-07-049
363-11-030	RECOD	97-08-042	363-116-120	RECOD	97-08-042	374-70-120	AMD-P	97-03-113
363-11-040	RECOD	97-08-042	363-116-140	RECOD	97-08-042	374-70-120	AMD	97-06-080
363-11-050	RECOD	97-08-042	363-116-150	RECOD	97-08-042	374-70-120	AMD-E	97-07-049
363-11-060	RECOD	97-08-042	363-116-170	RECOD	97-08-042	374-70-130	AMD-P	97-03-113
363-11-070	RECOD	97-08-042	363-116-175	RECOD	97-08-042	374-70-130	AMD	97-06-080
363-11-080	RECOD	97-08-042	363-116-185	RECOD	97-08-042	374-70-130	AMD-E	97-07-049
363-11-090	RECOD	97-08-042	363-116-185	AMD-P	97-10-062	374-80-010	NEW-P	97-15-111
363-11-100	RECOD	97-08-042	363-116-185	AMD	97-15-120	374-80-020	NEW-P	97-15-111
363-11-110	RECOD	97-08-042	363-116-200	RECOD	97-08-042	374-80-030	NEW-P	97-15-111
363-11-120	RECOD	97-08-042	363-116-205	RECOD	97-08-042	374-80-040	NEW-P	97-15-111
363-11-130	RECOD	97-08-042	363-116-2051	RECOD	97-08-042	374-80-050	NEW-P	97-15-111
363-11-140	RECOD	97-08-042	363-116-300	RECOD	97-08-042	374-80-060	NEW-P	97-15-111
363-11-150	RECOD	97-08-042	363-116-300	AMD	97-12-017	388-11	PREP	97-09-109
363-11-160	RECOD	97-08-042	363-116-315	RECOD	97-08-042	388-11-032	PREP	97-09-111
363-11-170	RECOD	97-08-042	363-116-35001	RECOD	97-08-042	388-11-045	PREP	97-09-111
363-11-180	RECOD	97-08-042	363-116-360	RECOD	97-08-042	388-11-048	PREP	97-09-111
363-11-190	RECOD	97-08-042	363-116-360	AMD	97-12-018	388-11-285	AMD-P	97-09-019
363-11-200	RECOD	97-08-042	363-116-370	RECOD	97-08-042	388-11-285	AMD-W	97-10-083
363-11-210	RECOD	97-08-042	363-116-400	RECOD	97-08-042	388-11-400	AMD-P	97-13-087
363-11-220	RECOD	97-08-042	363-116-410	RECOD	97-08-042	388-11-400	AMD	97-16-037
363-11-230	RECOD	97-08-042	363-116-420	RECOD	97-08-042	388-11-405	REP-P	97-13-087
363-11-240	RECOD	97-08-042	363-116-500	RECOD	97-08-042	388-11-405	REP	97-16-037
363-11-250	RECOD	97-08-042	365-40-010	AMD-P	97-15-106	388-11-410	AMD-P	97-13-087
363-11-260	RECOD	97-08-042	365-40-010	AMD	97-18-072	388-11-410	AMD	97-16-037
363-11-270	RECOD	97-08-042	365-40-020	AMD-P	97-15-106	388-11-415	AMD-P	97-13-087
363-11-280	RECOD	97-08-042	365-40-020	AMD	97-18-072	388-11-415	AMD	97-16-037
363-11-290	RECOD	97-08-042	365-40-041	AMD-P	97-15-106	388-11-420	AMD-P	97-13-087
363-11-300	RECOD	97-08-042	365-40-041	AMD	97-18-072	388-11-420	AMD	97-16-037
363-11-310	RECOD	97-08-042	365-40-051	AMD-P	97-15-106	388-11-425	AMD-P	97-13-087
363-11-320	RECOD	97-08-042	365-40-051	AMD	97-18-072	388-11-425	AMD	97-16-037
363-11-330	RECOD	97-08-042	365-40-071	AMD-P	97-15-106	388-11-430	AMD-P	97-13-087
363-11-340	RECOD	97-08-042	365-40-071	AMD	97-18-072	388-11-430	AMD	97-16-037
363-11-350	RECOD	97-08-042	365-90-010	REP-P	97-15-107	388-14-020	AMD-P	97-09-020
363-11-360	RECOD	97-08-042	365-90-020	REP-P	97-15-107	388-14-020	AMD	97-13-092
363-11-370	RECOD	97-08-042	365-90-040	REP-P	97-15-107	388-14-030	AMD-P	97-09-020
363-11-380	RECOD	97-08-042	365-90-080	REP-P	97-15-107	388-14-030	PREP	97-09-110
363-11-390	RECOD	97-08-042	365-90-090	REP-P	97-15-107	388-14-030	AMD-W	97-10-082
363-11-400	RECOD	97-08-042	365-135-010	AMD	97-02-093	388-14-030	AMD-P	97-15-085
363-11-410	RECOD	97-08-042	365-135-020	AMD	97-02-093	388-14-030	AMD	97-18-075
363-11-420	RECOD	97-08-042	365-135-035	NEW	97-02-093	388-14-035	NEW-P	97-15-085
363-11-430	RECOD	97-08-042	365-135-040	AMD	97-02-093	388-14-035	NEW	97-18-075
363-11-440	RECOD	97-08-042	365-135-050	AMD	97-02-093	388-14-040	NEW-P	97-15-085
363-11-450	RECOD	97-08-042	365-135-060	AMD	97-02-093	388-14-040	NEW	97-18-075

Table of WAC Sections Affected

WAC #	ACTION	WSR #	WAC #	ACTION	WSR #	WAC #	ACTION	WSR #
388-14-045	NEW-P	97-15-085	388-46-110	AMD-P	97-05-070	388-76-050	REP-P	97-18-087
388-14-045	NEW	97-18-075	388-46-110	AMD	97-10-038	388-76-060	REP-P	97-18-087
388-14-050	NEW-P	97-15-085	388-46-120	NEW-P	97-05-070	388-76-070	REP-P	97-18-087
388-14-050	NEW	97-18-075	388-46-120	NEW	97-10-038	388-76-080	REP-P	97-18-087
388-14-260	AMD-P	97-09-020	388-49-020	AMD	97-06-096	388-76-085	REP-P	97-18-087
388-14-260	AMD	97-13-092	388-49-020	AMD-P	97-13-089	388-76-090	REP-P	97-18-087
388-14-270	AMD-P	97-09-020	388-49-020	AMD	97-16-046	388-76-095	REP-P	97-18-087
388-14-270	AMD	97-13-092	388-49-160	AMD-P	97-06-098	388-76-100	REP-P	97-18-087
388-14-271	NEW-P	97-09-020	388-49-160	AMD	97-09-030	388-76-110	REP-P	97-18-087
388-14-271	NEW	97-13-092	388-49-190	AMD-P	97-06-097	388-76-130	REP-P	97-18-087
388-14-272	NEW-P	97-09-020	388-49-190	AMD	97-09-031	388-76-140	REP-P	97-18-087
388-14-272	NEW	97-13-092	388-49-190	AMD-P	97-13-088	388-76-155	REP-P	97-18-087
388-14-274	NEW-P	97-09-020	388-49-190	AMD	97-16-045	388-76-160	REP-P	97-18-087
388-14-274	NEW	97-13-092	388-49-310	AMD	97-06-074	388-76-170	REP-P	97-18-087
388-14-275	PREP	97-15-131	388-49-310	AMD-P	97-09-107	388-76-180	REP-P	97-18-087
388-14-276	NEW-P	97-09-020	388-49-310	AMD	97-12-025	388-76-185	REP-P	97-18-087
388-14-276	NEW	97-13-092	388-49-310	AMD-E	97-18-057	388-76-190	REP-P	97-18-087
388-14-300	NEW-P	97-09-020	388-49-310	AMD-P	97-18-058	388-76-200	REP-P	97-18-087
388-14-300	AMD	97-13-092	388-49-355	NEW	97-03-035	388-76-220	REP-P	97-18-087
388-14-375	NEW-P	97-09-020	388-49-360	AMD-E	97-05-052	388-76-240	REP-P	97-18-087
388-14-376	NEW	97-13-092	388-49-360	AMD-P	97-05-053	388-76-250	REP-P	97-18-087
388-14-385	AMD-P	97-09-020	388-49-360	AMD	97-09-012	388-76-260	REP-P	97-18-087
388-14-385	AMD	97-13-092	388-49-360	AMD-E	97-17-020	388-76-280	REP-P	97-18-087
388-14-390	AMD-P	97-09-020	388-49-360	AMD-P	97-17-021	388-76-290	REP-P	97-18-087
388-14-390	AMD	97-13-092	388-49-362	NEW-E	97-05-052	388-76-300	REP-P	97-18-087
388-14-400	REP-P	97-09-020	388-49-362	NEW-P	97-05-053	388-76-310	REP-P	97-18-087
388-14-400	REP	97-13-092	388-49-362	NEW	97-09-012	388-76-320	REP-P	97-18-087
388-14-405	REP-P	97-09-020	388-49-364	NEW-E	97-05-052	388-76-325	REP-P	97-18-087
388-14-405	REP	97-13-092	388-49-364	NEW-P	97-05-053	388-76-330	REP-P	97-18-087
388-14-415	AMD-P	97-09-020	388-49-364	NEW	97-09-012	388-76-340	REP-P	97-18-087
388-14-415	AMD	97-13-092	388-49-366	NEW-E	97-05-052	388-76-350	REP-P	97-18-087
388-14-420	AMD-P	97-09-020	388-49-366	NEW-P	97-05-053	388-76-360	REP-P	97-18-087
388-14-420	AMD	97-13-092	388-49-366	NEW	97-09-012	388-76-370	REP-P	97-18-087
388-14-425	REP-P	97-09-020	388-49-368	NEW-E	97-05-052	388-76-380	REP-P	97-18-087
388-14-425	REP	97-13-092	388-49-368	NEW-P	97-05-053	388-76-390	REP-P	97-18-087
388-14-430	REP-P	97-09-020	388-49-368	NEW	97-09-012	388-76-400	REP-P	97-18-087
388-14-430	REP	97-13-092	388-49-369	NEW-E	97-05-052	388-76-405	REP-P	97-18-087
388-14-435	AMD-P	97-09-020	388-49-369	NEW-P	97-05-053	388-76-410	REP-P	97-18-087
388-14-435	AMD	97-13-092	388-49-369	NEW	97-09-012	388-76-420	REP-P	97-18-087
388-14-440	AMD-P	97-09-020	388-49-380	AMD-E	97-05-052	388-76-430	REP-P	97-18-087
388-14-440	AMD	97-13-092	388-49-380	AMD-P	97-05-053	388-76-435	REP-P	97-18-087
388-14-445	AMD-P	97-09-020	388-49-380	AMD	97-09-012	388-76-440	REP-P	97-18-087
388-14-445	AMD	97-13-092	388-49-380	AMD-E	97-17-020	388-76-450	REP-P	97-18-087
388-14-450	AMD-P	97-09-020	388-49-380	AMD-P	97-17-021	388-76-460	REP-P	97-18-087
388-14-450	AMD	97-13-092	388-49-385	NEW-E	97-05-052	388-76-465	REP-P	97-18-087
388-14-460	AMD-P	97-09-020	388-49-385	NEW-P	97-05-053	388-76-470	REP-P	97-18-087
388-14-460	AMD	97-13-092	388-49-385	NEW	97-09-012	388-76-475	REP-P	97-18-087
388-14-495	NEW-P	97-09-020	388-49-385	AMD-E	97-17-020	388-76-480	REP-P	97-18-087
388-14-495	NEW	97-13-092	388-49-385	AMD-P	97-17-021	388-76-490	REP-P	97-18-087
388-14-496	NEW-P	97-09-020	388-49-470	AMD	97-05-002	388-76-500	REP-P	97-18-087
388-14-496	NEW	97-13-092	388-49-505	AMD-P	97-15-086	388-76-520	REP-P	97-18-087
388-14-500	NEW-P	97-09-020	388-49-505	AMD	97-18-086	388-76-530	REP-P	97-18-087
388-14-500	NEW	97-13-092	388-49-640	AMD	97-04-024	388-76-540	AMD-P	97-18-087
388-15-010	PREP	97-15-131	388-49-670	AMD	97-04-023	388-76-550	AMD-P	97-18-087
388-15-020	PREP	97-15-131	388-50-010	NEW-P	97-17-098	388-76-560	AMD-P	97-18-087
388-15-110	PREP	97-15-131	388-52-155	PREP	97-15-131	388-76-570	AMD-P	97-18-087
388-15-120	AMD-P	97-11-083	388-52-160	PREP	97-15-131	388-76-590	AMD-P	97-18-087
388-15-134	AMD-P	97-09-106	388-52-163	PREP	97-15-131	388-76-595	AMD-P	97-18-087
388-15-134	AMD	97-13-002	388-52-166	PREP	97-15-131	388-76-605	AMD-P	97-18-087
388-15-190	PREP-X	97-14-071	388-52-169	PREP	97-15-131	388-76-610	AMD-P	97-18-087
388-15-190	REP	97-18-052	388-52-172	PREP	97-15-131	388-76-620	AMD-P	97-18-087
388-15-192	PREP-X	97-14-071	388-55-030	PREP	97-15-131	388-76-635	AMD-P	97-18-087
388-15-192	REP	97-18-052	388-55-030	AMD-E	97-16-056	388-76-640	AMD-P	97-18-087
388-15-196	PREP	97-08-072	388-61-001	AMD-P	97-17-039	388-76-655	AMD-P	97-18-087
388-15-196	AMD-P	97-13-090	388-61-010	NEW-P	97-17-089	388-76-660	AMD-P	97-18-087
388-15-196	AMD	97-16-106	388-61-020	NEW-P	97-17-089	388-76-665	AMD-P	97-18-087
388-15-202	PREP	97-14-072	388-76	NEW-P	97-17-089	388-76-670	AMD-P	97-18-087
388-15-202	AMD-P	97-17-091	388-76-010	PREP	97-12-047	388-76-675	AMD-P	97-18-087
388-15-500	PREP	97-15-131	388-76-020	REP-P	97-18-087	388-76-680	AMD-P	97-18-087
388-15-550	PREP	97-15-131	388-76-030	REP-P	97-18-087	388-76-685	AMD-P	97-18-087
388-15-580	PREP	97-15-131	388-76-040	REP-P	97-18-087	388-76-690	AMD-P	97-18-087
388-21-005	PREP	97-15-131	388-76-045	REP-P	97-18-087	388-76-695	AMD-P	97-18-087
388-45-010	NEW-E	97-18-051		REP-P	97-18-087	388-76-705	AMD-P	97-18-087

Table of WAC Sections Affected

WAC #	ACTION	WSR #	WAC #	ACTION	WSR #	WAC #	ACTION	WSR #
388-76-765	AMD-P	97-18-087	388-155-005	PREP	97-14-073	388-201-100	REP-E	97-15-043
388-76-9970	NEW-P	97-15-132	388-155-010	PREP	97-14-073	388-201-100	PREP	97-15-131
388-76-9970	NEW	97-15-089	388-155-020	PREP	97-14-073	388-201-200	REP-P	97-15-031
388-76-9972	NEW-P	97-15-132	388-155-040	PREP	97-14-073	388-201-200	REP-E	97-15-043
388-76-9972	NEW	97-15-089	388-155-050	PREP	97-14-073	388-201-200	PREP	97-15-131
388-76-9974	NEW-P	97-15-132	388-155-060	PREP	97-14-073	388-201-300	REP-P	97-15-031
388-76-9974	NEW	97-15-089	388-155-070	PREP	97-14-073	388-201-300	REP-E	97-15-043
388-76-9976	NEW-P	97-15-132	388-155-080	PREP	97-14-073	388-201-300	PREP	97-15-131
388-76-9976	NEW	97-15-089	388-155-085	PREP	97-14-073	388-201-400	REP-P	97-15-031
388-76-9978	NEW-P	97-15-132	388-155-090	PREP	97-14-073	388-201-400	REP-E	97-15-043
388-76-9978	NEW	97-15-089	388-155-092	PREP	97-14-073	388-201-400	PREP	97-15-131
388-76-9980	NEW-P	97-15-132	388-155-093	PREP	97-14-073	388-201-410	REP-P	97-15-031
388-76-9980	NEW	97-15-089	388-155-094	PREP	97-14-073	388-201-410	REP-E	97-15-043
388-78-005	PREP	97-15-131	388-155-095	PREP	97-14-073	388-201-410	PREP	97-15-131
388-78-010	PREP	97-15-131	388-155-096	PREP	97-14-073	388-201-420	REP-P	97-15-031
388-78-015	PREP	97-15-131	388-155-097	PREP	97-14-073	388-201-420	REP-E	97-15-043
388-78-020	PREP	97-15-131	388-155-098	PREP	97-14-073	388-201-420	PREP	97-15-131
388-78-100	PREP	97-15-131	388-155-100	PREP	97-14-073	388-201-430	REP-P	97-15-031
388-78-120	PREP	97-15-131	388-155-110	PREP	97-14-073	388-201-430	REP-E	97-15-043
388-78-205	PREP	97-15-131	388-155-120	PREP	97-14-073	388-201-430	PREP	97-15-131
388-78-210	PREP	97-15-131	388-155-130	PREP	97-14-073	388-201-440	REP-P	97-15-031
388-78-215	PREP	97-15-131	388-155-140	PREP	97-14-073	388-201-440	REP-E	97-15-043
388-78-220	PREP	97-15-131	388-155-150	PREP	97-14-073	388-201-440	PREP	97-15-131
388-87-020	AMD	97-04-005	388-155-160	PREP	97-14-073	388-201-450	REP-P	97-15-031
388-96-010	PREP	97-06-072	388-155-165	PREP	97-14-073	388-201-450	REP-E	97-15-043
388-96-010	AMD-P	97-12-082	388-155-170	PREP	97-14-073	388-201-450	PREP	97-15-131
388-96-010	AMD	97-17-040	388-155-180	PREP	97-14-073	388-201-460	REP-P	97-15-031
388-96-220	PREP	97-06-072	388-155-190	PREP	97-14-073	388-201-460	REP-E	97-15-043
388-96-221	PREP	97-06-072	388-155-200	PREP	97-14-073	388-201-460	PREP	97-15-131
388-96-224	PREP	97-06-072	388-155-210	PREP	97-14-073	388-201-470	REP-P	97-15-031
388-96-224	AMD-P	97-12-082	388-155-220	PREP	97-14-073	388-201-470	REP-E	97-15-043
388-96-224	AMD	97-17-040	388-155-230	PREP	97-14-073	388-201-470	PREP	97-15-131
388-96-505	PREP	97-06-072	388-155-240	PREP	97-14-073	388-201-480	REP-P	97-15-031
388-96-505	AMD-P	97-12-082	388-155-250	PREP	97-14-073	388-201-480	REP-E	97-15-043
388-96-505	AMD	97-17-040	388-155-260	PREP	97-14-073	388-201-480	PREP	97-15-131
388-96-534	PREP	97-06-072	388-155-270	PREP	97-14-073	388-215-0020	NEW-P	97-17-087
388-96-534	AMD-P	97-12-082	388-155-280	PREP	97-14-073	388-215-1000	AMD-E	97-04-050
388-96-534	AMD	97-17-040	388-155-290	PREP	97-14-073	388-215-1000	AMD-P	97-04-051
388-96-553	PREP	97-06-072	388-155-295	PREP	97-14-073	388-215-1000	AMD	97-07-024
388-96-553	AMD-P	97-12-082	388-155-310	PREP	97-14-073	388-215-1000	AMD-P	97-17-087
388-96-553	AMD	97-17-040	388-155-320	PREP	97-14-073	388-215-1010	NEW-P	97-15-031
388-96-554	PREP	97-06-072	388-155-330	PREP	97-14-073	388-215-1010	NEW-E	97-15-043
388-96-554	AMD-P	97-12-082	388-155-340	PREP	97-14-073	388-215-1115	NEW-P	97-05-068
388-96-554	AMD	97-17-040	388-155-350	PREP	97-14-073	388-215-1115	NEW	97-08-032
388-96-559	PREP	97-06-072	388-155-360	PREP	97-14-073	388-215-1115	NEW	97-10-041
388-96-559	AMD-P	97-12-082	388-155-370	PREP	97-14-073	388-215-1200	AMD-P	97-17-087
388-96-559	AMD	97-17-040	388-155-380	PREP	97-14-073	388-215-1210	NEW-E	97-16-055
388-96-565	PREP	97-06-072	388-155-390	PREP	97-14-073	388-215-1210	NEW-P	97-17-100
388-96-565	AMD-P	97-12-082	388-155-400	PREP	97-14-073	388-215-1375	AMD-P	97-09-108
388-96-565	AMD	97-17-040	388-155-410	PREP	97-14-073	388-215-1375	AMD	97-14-082
388-96-585	PREP	97-06-072	388-155-420	PREP	97-14-073	388-215-1400	AMD-P	97-05-071
388-96-585	AMD-P	97-12-082	388-155-430	PREP	97-14-073	388-215-1400	AMD	97-08-033
388-96-585	AMD	97-17-040	388-155-440	PREP	97-14-073	388-215-1400	AMD	97-10-042
388-96-709	PREP	97-06-072	388-155-450	PREP	97-14-073	388-215-1550	NEW-E	97-03-049
388-96-709	AMD-P	97-12-082	388-155-460	PREP	97-14-073	388-215-1550	NEW-P	97-03-052
388-96-709	AMD	97-17-040	388-155-470	PREP	97-14-073	388-215-1550	NEW	97-06-077
388-96-719	AMD-P	97-12-082	388-155-480	PREP	97-14-073	388-215-1570	NEW-P	97-05-069
388-96-719	AMD	97-17-040	388-155-490	PREP	97-14-073	388-215-1570	NEW	97-08-034
388-96-735	AMD-P	97-12-082	388-155-500	PREP	97-14-073	388-215-1570	NEW	97-10-040
388-96-735	AMD	97-17-040	388-155-600	PREP	97-14-073	388-215-1570	AMD-P	97-15-032
388-96-745	PREP	97-06-072	388-155-605	PREP	97-14-073	388-215-1570	AMD-E	97-15-044
388-96-745	AMD-P	97-12-082	388-155-610	PREP	97-14-073	388-215-1570	AMD	97-18-074
388-96-745	AMD	97-17-040	388-155-620	PREP	97-14-073	388-215-1620	AMD-E	97-16-052
388-96-754	AMD-P	97-12-082	388-155-630	PREP	97-14-073	388-215-1620	AMD-P	97-17-069
388-96-754	AMD	97-17-040	388-155-640	PREP	97-14-073	388-215-1630	NEW-P	97-17-068
388-96-774	AMD-P	97-12-082	388-155-650	PREP	97-14-073	388-215-1650	AMD-E	97-03-054
388-96-774	AMD	97-17-040	388-155-660	PREP	97-14-073	388-215-1650	AMD-P	97-03-055
388-96-776	PREP	97-06-072	388-155-670	PREP	97-14-073	388-215-1650	AMD	97-06-076
388-96-776	AMD-P	97-12-082	388-155-680	PREP	97-14-073	388-215-1650	AMD-E	97-16-052
388-96-776	AMD	97-17-040	388-200-1400	NEW-E	97-03-046	388-215-1650	AMD-P	97-17-069
388-97-027	PREP	97-06-131	388-200-1400	NEW-P	97-03-053	388-215-1660	NEW-P	97-05-072
388-110-110	PREP	97-11-043	388-200-1400	NEW	97-07-008	388-215-1660	NEW-E	97-06-026
388-110-110	AMD-P	97-15-134	388-201-100	REP-P	97-15-031	388-215-1660	NEW-S	97-06-073

Table of WAC Sections Affected

WAC #	ACTION	WSR #	WAC #	ACTION	WSR #	WAC #	ACTION	WSR #
388-215-1660	NEW	97-09-029	388-218-1530	AMD	97-06-078	388-265-1750	AMD-E	97-06-133
388-215-1660	AMD-E	97-16-052	388-218-1630	PREP	97-11-079	388-265-1750	AMD-P	97-10-039
388-215-1660	AMD-P	97-17-069	388-218-1630	AMD-E	97-15-087	388-265-1750	AMD	97-13-091
388-215-1670	NEW-E	97-16-052	388-218-1630	AMD-P	97-15-088	388-290	PREP	97-14-047
388-215-1670	NEW-P	97-17-069	388-218-1630	AMD	97-18-073	388-290	AMD-P	97-17-104
388-216-2450	PREP	97-11-077	388-218-1700	REP-E	97-15-137	388-290-010	AMD-P	97-17-104
388-216-2450	AMD-P	97-15-089	388-218-1710	PREP	97-11-079	388-290-020	AMD-P	97-17-104
388-216-2450	AMD-E	97-15-090	388-218-1710	AMD-E	97-15-087	388-290-025	NEW-P	97-17-104
388-216-2500	AMD-E	97-03-048	388-218-1710	AMD-P	97-15-088	388-290-030	NEW-P	97-17-104
388-216-2500	AMD-P	97-03-050	388-218-1710	AMD	97-18-073	388-290-035	NEW-P	97-17-104
388-216-2500	AMD	97-06-075	388-218-1720	AMD-E	97-15-087	388-290-040	REP-P	97-17-104
388-216-2500	PREP	97-11-077	388-218-1720	AMD-P	97-15-088	388-290-045	NEW-P	97-17-104
388-216-2500	AMD-P	97-15-089	388-218-1720	AMD	97-18-073	388-290-050	NEW-P	97-17-104
388-216-2500	AMD-E	97-15-090	388-218-1730	PREP	97-11-079	388-290-055	NEW-P	97-17-104
388-216-2650	PREP	97-11-077	388-218-1730	REP-E	97-15-087	388-290-060	NEW-P	97-17-104
388-216-2650	AMD-P	97-15-089	388-218-1730	REP-P	97-15-088	388-290-070	NEW-P	97-17-104
388-216-2650	AMD-E	97-15-090	388-218-1730	REP	97-18-073	388-290-080	NEW-P	97-17-104
388-216-2800	PREP	97-11-077	388-218-1735	NEW-P	97-17-101	388-290-090	NEW-P	97-17-104
388-216-2800	AMD-P	97-15-089	388-218-1740	PREP	97-11-079	388-290-100	NEW-P	97-17-104
388-216-2800	AMD-E	97-15-090	388-218-1740	AMD-E	97-15-087	388-290-105	NEW-P	97-17-104
388-216-2900	AMD-E	97-03-047	388-218-1740	AMD-P	97-15-088	388-290-110	REP-P	97-17-104
388-216-2900	AMD-P	97-03-051	388-218-1740	AMD	97-18-073	388-290-115	REP-P	97-17-104
388-216-2900	AMD	97-06-078	388-218-1800	AMD-E	97-15-137	388-290-120	REP-P	97-17-104
388-216-2900	NEW-P	97-17-090	388-218-1820	AMD-E	97-03-047	388-290-123	REP-P	97-17-104
388-218-1210	PREP	97-11-079	388-218-1820	AMD-P	97-03-051	388-290-130	REP-P	97-17-104
388-218-1210	AMD-E	97-15-087	388-218-1820	AMD	97-06-078	388-290-135	REP-P	97-17-104
388-218-1210	AMD-P	97-15-088	388-218-1820	AMD-E	97-15-137	388-290-140	REP-P	97-17-104
388-218-1210	AMD	97-18-073	388-218-1940	AMD-E	97-17-088	388-290-155	REP-P	97-17-104
388-218-1230	AMD-E	97-15-087	388-220-0001	NEW-P	97-17-088	388-290-160	REP-P	97-17-104
388-218-1230	AMD-P	97-15-088	388-220-0010	NEW-P	97-17-088	388-290-170	REP-P	97-17-104
388-218-1230	AMD	97-18-073	388-220-0020	NEW-P	97-17-088	388-290-180	REP-P	97-17-104
388-218-1230	AMD	97-18-073	388-220-0030	NEW-P	97-17-088	388-290-210	REP-P	97-17-104
388-218-1300	PREP	97-11-079	388-220-0040	NEW-P	97-17-088	388-290-250	REP-P	97-17-104
388-218-1300	AMD-E	97-15-087	388-222-001	NEW-P	97-17-103	388-290-260	REP-P	97-17-104
388-218-1300	AMD-P	97-15-088	388-222-010	NEW-P	97-17-103	388-300	PREP	97-14-046
388-218-1300	AMD	97-18-073	388-222-020	NEW-P	97-17-103	388-300-0100	REP-P	97-16-054
388-218-1350	PREP	97-11-079	388-222-030	NEW-P	97-17-103	388-300-0200	REP-P	97-16-054
388-218-1350	AMD-E	97-15-087	388-222-040	NEW-P	97-17-103	388-300-0300	REP-P	97-16-054
388-218-1350	AMD-P	97-15-088	388-222-050	NEW-P	97-17-103	388-300-0400	REP-P	97-16-054
388-218-1350	AMD	97-18-073	388-222-060	NEW-P	97-17-103	388-300-0500	REP-P	97-16-054
388-218-1410	PREP	97-11-079	388-230	PREP	97-13-085	388-300-0600	REP-P	97-16-054
388-218-1410	AMD-E	97-15-087	388-230-0010	AMD-E	97-14-107	388-300-0700	REP-P	97-16-054
388-218-1410	AMD-P	97-15-088	388-230-0010	AMD-P	97-17-102	388-300-0800	REP-P	97-16-054
388-218-1410	AMD	97-18-073	388-230-0040	AMD-E	97-14-107	388-300-0900	REP-P	97-16-054
388-218-1420	PREP	97-11-079	388-230-0040	AMD-P	97-17-102	388-300-1000	REP-P	97-16-054
388-218-1420	REP-E	97-15-087	388-230-0060	AMD-E	97-14-107	388-300-1100	REP-P	97-16-054
388-218-1420	REP-P	97-15-088	388-230-0060	AMD-P	97-17-102	388-300-1200	REP-P	97-16-054
388-218-1420	REP	97-18-073	388-230-0090	AMD-E	97-14-107	388-300-1300	REP-P	97-16-054
388-218-1430	PREP	97-11-079	388-230-0090	AMD-P	97-17-102	388-300-1400	REP-P	97-16-054
388-218-1430	AMD-E	97-15-087	388-230-0110	AMD-E	97-14-107	388-300-1400	REP-P	97-16-054
388-218-1430	AMD-P	97-15-088	388-230-0110	AMD-P	97-17-102	388-300-1500	REP-P	97-16-054
388-218-1430	AMD	97-18-073	388-230-0120	AMD-E	97-14-107	388-300-1600	REP-P	97-16-054
388-218-1440	PREP	97-11-079	388-230-0120	AMD-P	97-17-102	388-300-1700	REP-P	97-16-054
388-218-1440	AMD-E	97-15-087	388-230-0140	AMD-E	97-14-107	388-300-1800	REP-P	97-16-054
388-218-1440	AMD-P	97-15-088	388-230-0140	AMD-P	97-17-102	388-300-1900	REP-P	97-16-054
388-218-1440	AMD	97-18-073	388-233	PREP	97-13-083	388-300-2000	REP-P	97-16-054
388-218-1450	PREP	97-11-079	388-235	PREP	97-14-081	388-300-2100	REP-P	97-16-054
388-218-1450	REP-E	97-15-087	388-235-2000	AMD-P	97-17-090	388-300-2200	REP-P	97-16-054
388-218-1450	REP-P	97-15-088	388-245-1150	AMD-E	97-14-109	388-300-2300	REP-P	97-16-054
388-218-1450	REP	97-18-073	388-245-1510	AMD-E	97-15-011	388-300-2400	REP-P	97-16-054
388-218-1460	PREP	97-11-079	388-250-1225	NEW-P	97-17-099	388-300-2500	REP-P	97-16-054
388-218-1460	REP-E	97-15-087	388-250-1310	NEW-P	97-17-101	388-300-2600	REP-P	97-16-054
388-218-1460	REP-P	97-15-088	388-250-1700	AMD-P	97-10-035	388-300-2700	REP-P	97-16-054
388-218-1460	REP	97-18-073	388-250-1700	AMD-E	97-10-036	388-300-2800	REP-P	97-16-054
388-218-1470	PREP	97-11-079	388-250-1700	AMD	97-14-011	388-300-2900	REP-P	97-16-054
388-218-1470	AMD-E	97-15-087	388-265	PREP	97-13-084	388-300-3000	REP-P	97-16-054
388-218-1470	AMD-P	97-15-088	388-265-1010	AMD-E	97-14-108	388-300-3100	REP-P	97-16-054
388-218-1470	AMD	97-18-073	388-265-1010	AMD-P	97-17-097	388-300-3200	REP-P	97-16-054
388-218-1480	PREP	97-11-079	388-265-1275	AMD-E	97-14-108	388-300-3300	REP-P	97-16-054
388-218-1480	REP-E	97-15-087	388-265-1275	AMD-P	97-17-097	388-300-3400	REP-P	97-16-054
388-218-1480	REP-P	97-15-088	388-265-1350	REP-P	97-05-071	388-300-3500	REP-P	97-16-054
388-218-1480	REP	97-18-073	388-265-1350	REP	97-08-033	388-300-3600	REP-P	97-16-054
388-218-1530	AMD-E	97-03-047	388-265-1350	REP	97-10-042	388-300-3700	REP-P	97-16-054
388-218-1530	AMD-P	97-03-051	388-265-1750	PREP	97-06-132	388-300-3800	REP-P	97-16-054

Table of WAC Sections Affected

WAC #	ACTION	WSR #	WAC #	ACTION	WSR #	WAC #	ACTION	WSR #
388-300-3900	REP-P	97-16-054	388-513-1380	AMD	97-16-008	388-550-5100	NEW-P	97-11-008
388-310-0100	NEW-P	97-17-070	388-517-1720	AMD-E	97-08-031	388-550-5150	NEW-P	97-11-008
388-310-0200	NEW-P	97-17-070	388-517-1720	AMD-P	97-13-057	388-550-5200	NEW-P	97-11-008
388-310-0300	NEW-P	97-17-070	388-517-1720	AMD	97-16-009	388-550-5250	NEW-P	97-11-008
388-310-0400	NEW-P	97-17-070	388-517-1740	AMD-E	97-08-031	388-550-5300	NEW-P	97-11-008
388-310-0500	NEW-P	97-17-070	388-517-1740	AMD-P	97-13-057	388-550-5350	NEW-P	97-11-008
388-310-0600	NEW-P	97-17-070	388-517-1740	AMD	97-16-009	388-550-5400	NEW-P	97-11-008
388-310-0700	NEW-P	97-17-070	388-517-1760	AMD-E	97-08-031	388-550-5500	NEW-P	97-11-008
388-310-0800	NEW-P	97-17-070	388-517-1760	AMD-P	97-13-057	388-550-5600	NEW-P	97-11-008
388-310-0900	NEW-P	97-17-070	388-517-1760	AMD	97-16-009	388-550-5700	NEW-P	97-11-008
388-310-1000	NEW-P	97-17-070	388-522-2205	AMD-E	97-08-030	388-550-5800	NEW-P	97-11-008
388-310-1100	NEW-P	97-17-070	388-522-2205	AMD-P	97-12-081	388-550-5900	NEW-P	97-11-008
388-310-1200	NEW-P	97-17-070	388-522-2205	AMD	97-15-084	388-550-6000	NEW-P	97-11-008
388-310-1300	NEW-P	97-17-070	388-523-2305	AMD-E	97-16-053	388-550-6100	NEW-P	97-11-008
388-310-1400	NEW-P	97-17-070	388-524-2405	AMD-E	97-08-030	388-550-6150	NEW-P	97-11-008
388-310-1500	NEW-P	97-17-070	388-524-2405	AMD-P	97-12-081	388-550-6200	NEW-P	97-11-008
388-310-1600	NEW-P	97-17-070	388-524-2405	AMD	97-15-084	388-550-6250	NEW-P	97-11-008
388-310-1700	NEW-P	97-17-070	388-528-2810	REP	97-03-037	388-550-6300	NEW-P	97-11-008
388-310-1800	NEW-P	97-17-070	388-538-070	PREP	97-11-076	388-550-6350	NEW-P	97-11-008
388-310-1900	NEW-P	97-17-070	388-538-073	NEW-W	97-10-073	388-550-6400	NEW-P	97-11-008
388-320-225	AMD-E	97-03-046	388-538-074	NEW-W	97-10-073	388-550-6450	NEW-P	97-11-008
388-320-225	AMD-P	97-03-053	388-538-110	AMD	97-04-004	388-550-6500	NEW-P	97-11-008
388-320-225	AMD	97-07-008	388-540-005	PREP	97-11-081	388-550-6600	NEW-P	97-11-008
388-320-400	PREP	97-15-131	388-540-030	PREP	97-11-081	388-550-6700	NEW-P	97-11-008
388-320-410	PREP	97-15-131	388-540-060	PREP	97-11-081	388-555-1000	NEW-E	97-15-058
388-320-470	PREP	97-15-131	388-550-1000	NEW-P	97-11-008	388-555-1050	NEW-E	97-15-058
388-320-500	PREP	97-15-131	388-550-1050	NEW-P	97-11-008	388-555-1100	NEW-E	97-15-058
388-330-035	AMD-P	97-09-106	388-550-1100	NEW-P	97-11-008	388-555-1150	NEW-E	97-15-058
388-330-035	AMD	97-13-002	388-550-1200	NEW-P	97-11-008	388-555-1200	NEW-E	97-15-058
388-500-0005	PREP	97-11-075	388-550-1300	NEW-P	97-11-008	388-555-1250	NEW-E	97-15-058
388-500-0005	AMD-E	97-16-053	388-550-1400	NEW-P	97-11-008	388-555-1300	NEW-E	97-15-058
388-501-0135	AMD	97-03-038	388-550-1500	NEW-P	97-11-008	388-555-1350	NEW-E	97-15-058
388-503-0310	AMD	97-03-036	388-550-1600	NEW-P	97-11-008	388-555-1400	NEW-E	97-15-058
388-503-0310	PREP	97-11-075	388-550-1700	NEW-P	97-11-008	388-555-1450	NEW-E	97-15-058
388-503-0310	AMD-E	97-16-053	388-550-1750	NEW-P	97-11-008	390-16-041	AMD-P	97-03-117
388-505-0510	AMD-P	97-11-082	388-550-1800	NEW-P	97-11-008	390-16-041	AMD	97-06-085
388-505-0510	AMD	97-15-025	388-550-1900	NEW-P	97-11-008	390-16-313	AMD-P	97-06-086
388-505-0520	AMD-E	97-08-074	388-550-2000	NEW-P	97-11-008	390-16-313	AMD	97-10-055
388-505-0520	PREP	97-11-075	388-550-2100	NEW-P	97-11-008	392-115	PREP	97-18-010
388-505-0520	AMD-E	97-16-053	388-550-2200	NEW-P	97-11-008	392-120-025	AMD-P	97-15-072
388-505-0540	AMD	97-04-005	388-550-2300	NEW-P	97-11-008	392-120-027	NEW-P	97-15-072
388-506-0630	AMD	97-10-022	388-550-2400	NEW-P	97-11-008	392-120-028	NEW-P	97-15-072
388-507-0710	AMD-P	97-07-023	388-550-2500	NEW-P	97-11-008	392-120-030	AMD-P	97-15-072
388-507-0710	AMD	97-09-112	388-550-2600	NEW-P	97-11-008	392-120-055	AMD-P	97-15-072
388-507-0740	PREP	97-10-034	388-550-2700	NEW-P	97-11-008	392-120-065	AMD-P	97-15-072
388-507-0740	AMD-E	97-16-053	388-550-2750	NEW-P	97-11-008	392-121	PREP	97-09-010
388-508-0805	AMD-E	97-08-031	388-550-2800	NEW-P	97-11-008	392-121	PREP	97-16-095
388-508-0805	AMD-P	97-13-057	388-550-2900	NEW-P	97-11-008	392-121	PREP	97-16-096
388-508-0805	AMD	97-16-008	388-550-3000	NEW-P	97-11-008	392-121	PREP	97-17-022
388-509-0920	AMD-E	97-08-031	388-550-3100	NEW-P	97-11-008	392-121-107	AMD-P	97-15-073
388-509-0920	AMD-P	97-13-057	388-550-3150	NEW-P	97-11-008	392-121-108	AMD-P	97-15-073
388-509-0920	AMD	97-16-008	388-550-3200	NEW-P	97-11-008	392-121-119	NEW-P	97-15-073
388-509-0960	AMD-E	97-08-031	388-550-3250	NEW-P	97-11-008	392-121-122	AMD-P	97-15-073
388-509-0960	AMD-P	97-13-057	388-550-3300	NEW-P	97-11-008	392-121-133	AMD-P	97-15-073
388-509-0960	AMD	97-16-008	388-550-3350	NEW-P	97-11-008	392-121-136	AMD-P	97-15-073
388-510	PREP	97-11-075	388-550-3400	NEW-P	97-11-008	392-121-137	AMD-P	97-15-073
388-510-1005	NEW-E	97-16-053	388-550-3450	NEW-P	97-11-008	392-121-182	AMD-P	97-15-073
388-510-1020	AMD-E	97-16-053	388-550-3500	NEW-P	97-11-008	392-122	PREP	97-16-097
388-511-1105	AMD	97-03-036	388-550-3600	NEW-P	97-11-008	392-123-047	PREP	97-04-035
388-511-1130	AMD	97-10-022	388-550-3700	NEW-P	97-11-008	392-127	PREP	97-17-023
388-511-1140	AMD	97-10-022	388-550-3800	NEW-P	97-11-008	392-130-005	REP-P	97-16-001
388-511-1160	AMD	97-03-034	388-550-3900	NEW-P	97-11-008	392-130-010	REP-P	97-16-001
388-511-1160	PREP	97-08-035	388-550-4000	NEW-P	97-11-008	392-130-015	REP-P	97-16-001
388-513-1315	PREP	97-12-023	388-550-4100	NEW-P	97-11-008	392-130-020	REP-P	97-16-001
388-513-1320	AMD-P	97-11-082	388-550-4200	NEW-P	97-11-008	392-130-025	REP-P	97-16-001
388-513-1320	AMD	97-15-025	388-550-4300	NEW-P	97-11-008	392-130-030	REP-P	97-16-001
388-513-1330	AMD	97-10-022	388-550-4400	NEW-P	97-11-008	392-130-035	REP-P	97-16-001
388-513-1350	AMD-P	97-07-023	388-550-4500	NEW-P	97-11-008	392-130-040	REP-P	97-16-001
388-513-1350	AMD	97-09-112	388-550-4600	NEW-P	97-11-008	392-130-045	REP-P	97-16-001
388-513-1365	AMD	97-05-040	388-550-4700	NEW-P	97-11-008	392-130-050	REP-P	97-16-001
388-513-1380	AMD-E	97-08-031	388-550-4800	NEW-P	97-11-008	392-130-055	REP-P	97-16-001
388-513-1380	AMD-W	97-12-062	388-550-4900	NEW-P	97-11-008	392-130-060	REP-P	97-16-001
388-513-1380	AMD-P	97-13-057	388-550-5000	NEW-P	97-11-008	392-130-065	REP-P	97-16-001

TABLE

Table of WAC Sections Affected

WAC #	ACTION	WSR #	WAC #	ACTION	WSR #	WAC #	ACTION	WSR #
392-130-070	REP-P	97-16-001	392-140-744	NEW-E	97-18-036	415-112-414	REP	97-03-016
392-130-075	REP-P	97-16-001	392-140-745	NEW-E	97-18-036	415-112-444	NEW	97-03-016
392-130-080	REP-P	97-16-001	392-140-746	NEW-E	97-18-036	415-112-445	NEW	97-03-016
392-130-085	REP-P	97-16-001	392-140-747	NEW-E	97-18-036	415-112-450	NEW	97-03-016
392-130-090	REP-P	97-16-001	392-142	PREP	97-12-041	415-112-460	NEW	97-03-016
392-130-095	REP-P	97-16-001	392-142-155	AMD-P	97-14-055	415-112-4601	NEW	97-03-016
392-130-100	REP-P	97-16-001	392-142-155	AMD	97-17-042	415-112-4603	NEW	97-03-016
392-130-105	REP-P	97-16-001	392-160-004	AMD-C	97-14-077	415-112-4604	NEW	97-03-016
392-130-110	REP-P	97-16-001	392-160-005	AMD-C	97-14-077	415-112-4605	NEW	97-03-016
392-130-115	REP-P	97-16-001	392-160-010	AMD-C	97-14-077	415-112-4607	NEW	97-03-016
392-130-120	REP-P	97-16-001	392-160-015	AMD-C	97-14-077	415-112-4608	NEW	97-03-016
392-130-125	REP-P	97-16-001	392-160-016	NEW-C	97-14-077	415-112-4609	NEW	97-03-016
392-130-130	REP-P	97-16-001	392-160-020	AMD-C	97-14-077	415-112-470	NEW	97-03-016
392-130-135	REP-P	97-16-001	392-160-029	AMD-C	97-14-077	415-112-471	NEW	97-03-016
392-130-140	REP-P	97-16-001	392-160-035	AMD-C	97-14-077	415-112-473	NEW	97-03-016
392-130-145	REP-P	97-16-001	392-160-036	NEW-C	97-14-077	415-112-475	NEW	97-03-016
392-130-150	REP-P	97-16-001	392-160-037	NEW-C	97-14-077	415-112-477	NEW	97-03-016
392-130-155	REP-P	97-16-001	392-160-040	AMD-C	97-14-077	415-112-480	NEW	97-03-016
392-130-160	REP-P	97-16-001	392-160-045	REP-C	97-14-077	415-112-482	NEW	97-03-016
392-130-165	REP-P	97-16-001	392-160-050	NEW-C	97-14-077	415-112-483	NEW	97-03-016
392-130-170	REP-P	97-16-001	392-160-060	NEW-C	97-14-077	415-112-485	NEW	97-03-016
392-130-175	REP-P	97-16-001	392-160-070	NEW-C	97-14-077	415-112-487	NEW	97-03-016
392-130-180	REP-P	97-16-001	392-160-080	NEW-C	97-14-077	415-112-489	NEW	97-03-016
392-130-185	REP-P	97-16-001	392-160-090	NEW-C	97-14-077	415-112-490	NEW	97-03-016
392-130-190	REP-P	97-16-001	392-160-091	NEW-C	97-14-077	415-112-491	NEW	97-03-016
392-130-195	REP-P	97-16-001	392-165	AMD-P	97-16-118	415-200-030	NEW-E	97-08-053
392-130-200	REP-P	97-16-001	392-165-105	AMD-P	97-16-118	415-200-030	NEW-P	97-13-058
392-130-205	REP-P	97-16-001	392-165-118	AMD-P	97-16-118	415-200-030	NEW	97-16-039
392-132-010	AMD	97-03-044	392-165-120	AMD-P	97-16-118	415-200-040	NEW-E	97-08-053
392-132-030	AMD	97-03-044	392-165-130	AMD-P	97-16-118	415-200-040	NEW-P	97-13-058
392-132-040	AMD	97-03-044	392-165-135	AMD-P	97-16-118	415-200-040	NEW	97-16-039
392-134	PREP	97-09-010	392-165-140	AMD-P	97-16-118	415-512-090	AMD	97-05-009
392-134-005	AMD-P	97-15-074	392-165-142	AMD-P	97-16-118	434-09-010	DECOD-P	97-14-106
392-134-010	AMD-P	97-15-074	392-165-170	AMD-P	97-16-118	434-09-020	AMD-P	97-14-106
392-134-020	AMD-P	97-15-074	392-165-180	AMD-P	97-16-118	434-09-020	DECOD-P	97-14-106
392-134-025	AMD-P	97-15-074	392-165-210	AMD-P	97-16-118	434-09-030	AMD-P	97-14-106
392-137	PREP	97-09-010	392-165-245	AMD-P	97-16-118	434-09-030	DECOD-P	97-14-106
392-137-160	AMD-P	97-15-075	392-165-260	AMD-P	97-16-118	434-09-040	AMD-P	97-14-106
392-137-195	AMD-P	97-15-075	392-165-302	AMD-P	97-16-118	434-09-040	DECOD-P	97-14-106
392-137-220	REP-P	97-15-075	392-165-304	AMD-P	97-16-118	434-09-050	AMD-P	97-14-106
392-139	PREP	97-16-098	392-165-310	AMD-P	97-16-118	434-09-050	DECOD-P	97-14-106
392-140	PREP	97-15-116	392-165-315	AMD-P	97-16-118	434-09-060	AMD-P	97-14-106
392-140	PREP	97-17-024	392-165-320	AMD-P	97-16-118	434-09-060	DECOD-P	97-14-106
392-140	PREP	97-17-067	392-165-322	AMD-P	97-16-118	434-09-070	AMD-P	97-14-106
392-140-700	NEW-E	97-18-036	392-165-325	AMD-P	97-16-118	434-09-070	DECOD-P	97-14-106
392-140-701	NEW-E	97-18-036	392-165-330	AMD-P	97-16-118	434-09-080	AMD-P	97-14-106
392-140-702	NEW-E	97-18-036	392-165-340	AMD-P	97-16-118	434-09-080	DECOD-P	97-14-106
392-140-710	NEW-E	97-18-036	392-165-345	AMD-P	97-16-118	434-09-090	AMD-P	97-14-106
392-140-711	NEW-E	97-18-036	392-165-347	AMD-P	97-16-118	434-09-090	DECOD-P	97-14-106
392-140-712	NEW-E	97-18-036	392-165-360	AMD-P	97-16-118	434-20-010	REP-P	97-14-106
392-140-713	NEW-E	97-18-036	392-165-362	AMD-P	97-16-118	434-20-020	REP-P	97-14-106
392-140-714	NEW-E	97-18-036	392-165-365	AMD-P	97-16-118	434-20-030	REP-P	97-14-106
392-140-715	NEW-E	97-18-036	392-165-415	AMD-P	97-16-118	434-20-040	REP-P	97-14-106
392-140-716	NEW-E	97-18-036	392-165-425	AMD-P	97-16-118	434-20-050	REP-P	97-14-106
392-140-720	NEW-E	97-18-036	392-165-430	AMD-P	97-16-118	434-24-010	AMD-P	97-14-106
392-140-721	NEW-E	97-18-036	392-165-440	AMD-P	97-16-118	434-24-010	DECOD-P	97-14-106
392-140-722	NEW-E	97-18-036	392-165-450	AMD-P	97-16-118	434-24-015	AMD-P	97-14-106
392-140-723	NEW-E	97-18-036	392-165-455	AMD-P	97-16-118	434-24-015	DECOD-P	97-14-106
392-140-724	NEW-E	97-18-036	392-165-460	AMD-P	97-16-118	434-24-020	AMD-P	97-14-106
392-140-725	NEW-E	97-18-036	392-165-490	NEW-P	97-16-118	434-24-020	DECOD-P	97-14-106
392-140-726	NEW-E	97-18-036	392-165-500	AMD-P	97-16-118	434-24-025	DECOD-P	97-14-106
392-140-727	NEW-E	97-18-036	392-165-510	AMD-P	97-16-118	434-24-030	DECOD-P	97-14-106
392-140-728	NEW-E	97-18-036	392-320	PREP	97-04-022	434-24-035	AMD-P	97-14-106
392-140-730	NEW-E	97-18-036	399-30-032	NEW-E	97-12-077	434-24-035	DECOD-P	97-14-106
392-140-731	NEW-E	97-18-036	399-30-033	NEW-E	97-12-077	434-24-040	REP-P	97-14-106
392-140-732	NEW-E	97-18-036	399-30-034	NEW-E	97-12-077	434-24-050	AMD-P	97-14-106
392-140-733	NEW-E	97-18-036	415-112-0160	NEW	97-03-016	434-24-050	DECOD-P	97-14-106
392-140-735	NEW-E	97-18-036	415-112-330	AMD-S	97-05-010	434-24-055	REP-P	97-14-106
392-140-736	NEW-E	97-18-036	415-112-330	AMD	97-09-037	434-24-060	AMD-P	97-14-106
392-140-740	NEW-E	97-18-036	415-112-335	NEW-S	97-05-010	434-24-060	DECOD-P	97-14-106
392-140-741	NEW-E	97-18-036	415-112-335	NEW	97-09-037	434-24-065	NEW-P	97-09-099
392-140-742	NEW-E	97-18-036	415-112-410	REP	97-03-016	434-24-065	NEW-E	97-12-039
392-140-743	NEW-E	97-18-036	415-112-411	REP	97-03-016	434-24-065	NEW	97-18-014

Table of WAC Sections Affected

WAC #	ACTION	WSR #	WAC #	ACTION	WSR #	WAC #	ACTION	WSR #
434-24-070	REP-P	97-14-106	434-34-085	DECOD-P	97-14-106	434-40-180	DECOD-P	97-14-106
434-24-080	REP-P	97-14-106	434-34-090	AMD-P	97-14-106	434-40-190	AMD-P	97-14-106
434-24-085	AMD-P	97-14-106	434-34-090	DECOD-P	97-14-106	434-40-190	DECOD-P	97-14-106
434-24-085	DECOD-P	97-14-106	434-34-095	DECOD-P	97-14-106	434-40-200	AMD-P	97-14-106
434-24-090	REP-P	97-14-106	434-34-100	DECOD-P	97-14-106	434-40-200	DECOD-P	97-14-106
434-24-095	AMD-P	97-14-106	434-34-105	DECOD-P	97-14-106	434-40-210	REP-P	97-14-106
434-24-095	DECOD-P	97-14-106	434-34-110	AMD-P	97-14-106	434-40-220	REP-P	97-14-106
434-24-100	REP-P	97-14-106	434-34-110	DECOD-P	97-14-106	434-40-225	NEW-E	97-13-003
434-24-105	AMD-P	97-14-106	434-34-115	DECOD-P	97-14-106	434-40-230	AMD-E	97-13-003
434-24-105	DECOD-P	97-14-106	434-36-010	DECOD-P	97-14-106	434-40-230	AMD-P	97-14-106
434-24-110	AMD-P	97-14-106	434-36-020	AMD-P	97-14-106	434-40-230	DECOD-P	97-14-106
434-24-110	DECOD-P	97-14-106	434-36-020	DECOD-P	97-14-106	434-40-235	NEW-E	97-13-003
434-24-115	AMD-P	97-14-106	434-36-030	AMD-P	97-14-106	434-40-240	AMD-P	97-14-106
434-24-115	DECOD-P	97-14-106	434-36-030	DECOD-P	97-14-106	434-40-240	DECOD-P	97-14-106
434-24-120	AMD-P	97-14-106	434-36-040	AMD-P	97-14-106	434-40-250	AMD-P	97-14-106
434-24-120	DECOD-P	97-14-106	434-36-040	DECOD-P	97-14-106	434-40-250	DECOD-P	97-14-106
434-24-130	AMD-P	97-14-106	434-36-050	AMD-P	97-14-106	434-40-260	DECOD-P	97-14-106
434-24-130	DECOD-P	97-14-106	434-36-050	DECOD-P	97-14-106	434-40-270	AMD-P	97-14-106
434-24-140	AMD-P	97-14-106	434-36-060	AMD-P	97-14-106	434-40-270	DECOD-P	97-14-106
434-24-140	DECOD-P	97-14-106	434-36-060	DECOD-P	97-14-106	434-40-280	REP-P	97-14-106
434-24-150	REP-P	97-14-106	434-36-070	AMD-P	97-14-106	434-40-290	AMD-P	97-14-106
434-24-155	REP-P	97-14-106	434-36-070	DECOD-P	97-14-106	434-40-290	DECOD-P	97-14-106
434-24-160	AMD-P	97-14-106	434-36-080	AMD-P	97-14-106	434-40-300	DECOD-P	97-14-106
434-24-160	DECOD-P	97-14-106	434-36-080	DECOD-P	97-14-106	434-40-310	REP-E	97-13-003
434-24-170	REP-P	97-14-106	434-36-090	AMD-P	97-14-106	434-40-310	REP-P	97-14-106
434-28-012	AMD-P	97-14-106	434-36-090	DECOD-P	97-14-106	434-53-010	DECOD-P	97-14-106
434-28-012	DECOD-P	97-14-106	434-36-100	AMD-P	97-14-106	434-53-020	AMD-P	97-14-106
434-28-020	DECOD-P	97-14-106	434-36-100	DECOD-P	97-14-106	434-53-020	DECOD-P	97-14-106
434-28-050	DECOD-P	97-14-106	434-36-110	AMD-P	97-14-106	434-53-030	AMD-P	97-14-106
434-28-060	DECOD-P	97-14-106	434-36-110	DECOD-P	97-14-106	434-53-030	DECOD-P	97-14-106
434-30-010	AMD-P	97-14-106	434-36-120	AMD-E	97-13-003	434-53-040	AMD-P	97-14-106
434-30-010	DECOD-P	97-14-106	434-36-120	AMD-P	97-14-106	434-53-040	DECOD-P	97-14-106
434-30-020	DECOD-P	97-14-106	434-36-120	DECOD-P	97-14-106	434-53-050	AMD-P	97-14-106
434-30-030	AMD-P	97-14-106	434-36-130	REP-P	97-14-106	434-53-050	DECOD-P	97-14-106
434-30-030	DECOD-P	97-14-106	434-36-140	AMD-P	97-14-106	434-53-060	DECOD-P	97-14-106
434-30-040	DECOD-P	97-14-106	434-36-140	DECOD-P	97-14-106	434-53-070	DECOD-P	97-14-106
434-30-050	DECOD-P	97-14-106	434-36-150	REP-P	97-14-106	434-53-080	DECOD-P	97-14-106
434-30-060	DECOD-P	97-14-106	434-36-160	DECOD-P	97-14-106	434-53-090	AMD-P	97-14-106
434-30-070	DECOD-P	97-14-106	434-36-170	AMD-P	97-14-106	434-53-090	DECOD-P	97-14-106
434-30-080	DECOD-P	97-14-106	434-36-170	DECOD-P	97-14-106	434-53-100	AMD-P	97-14-106
434-30-090	DECOD-P	97-14-106	434-36-180	AMD-E	97-13-003	434-53-100	DECOD-P	97-14-106
434-30-100	REP-P	97-14-106	434-36-180	AMD-P	97-14-106	434-53-110	AMD-P	97-14-106
434-30-110	REP-P	97-14-106	434-36-180	DECOD-P	97-14-106	434-53-110	DECOD-P	97-14-106
434-30-120	REP-P	97-14-106	434-36-190	REP-P	97-14-106	434-53-120	AMD-P	97-14-106
434-30-130	REP-P	97-14-106	434-36-200	AMD-P	97-14-106	434-53-120	DECOD-P	97-14-106
434-30-140	REP-P	97-14-106	434-36-200	DECOD-P	97-14-106	434-53-130	DECOD-P	97-14-106
434-30-150	REP-P	97-14-106	434-36-210	AMD-P	97-14-106	434-53-140	DECOD-P	97-14-106
434-30-160	AMD-P	97-14-106	434-36-210	DECOD-P	97-14-106	434-53-150	AMD-P	97-14-106
434-30-160	DECOD-P	97-14-106	434-40-005	DECOD-P	97-14-106	434-53-150	DECOD-P	97-14-106
434-30-170	AMD-P	97-14-106	434-40-010	AMD-P	97-14-106	434-53-160	AMD-P	97-14-106
434-30-170	DECOD-P	97-14-106	434-40-010	DECOD-P	97-14-106	434-53-160	DECOD-P	97-14-106
434-30-180	AMD-P	97-14-106	434-40-020	DECOD-P	97-14-106	434-53-170	AMD-P	97-14-106
434-30-180	DECOD-P	97-14-106	434-20-025	DECOD-P	97-14-106	434-53-170	DECOD-P	97-14-106
434-30-190	DECOD-P	97-14-106	434-40-030	AMD-P	97-14-106	434-53-180	DECOD-P	97-14-106
434-30-200	DECOD-P	97-14-106	434-40-030	DECOD-P	97-14-106	434-53-190	AMD-P	97-14-106
434-30-210	AMD-P	97-14-106	434-40-040	DECOD-P	97-14-106	434-53-190	DECOD-P	97-14-106
434-30-210	DECOD-P	97-14-106	434-40-050	AMD-P	97-14-106	434-53-200	AMD-P	97-14-106
434-30-220	REP-P	97-14-106	434-40-050	DECOD-P	97-14-106	434-53-200	DECOD-P	97-14-106
434-34-010	DECOD-P	97-14-106	434-40-060	AMD-P	97-14-106	434-53-210	AMD-P	97-14-106
434-34-015	DECOD-P	97-14-106	434-40-060	DECOD-P	97-14-106	434-53-210	DECOD-P	97-14-106
434-34-020	DECOD-P	97-14-106	434-40-070	REP-P	97-14-106	434-53-220	AMD-P	97-14-106
434-34-025	DECOD-P	97-14-106	434-40-080	REP-P	97-14-106	434-53-220	DECOD-P	97-14-106
434-34-030	DECOD-P	97-14-106	434-40-090	DECOD-P	97-14-106	434-53-230	AMD-P	97-14-106
434-34-035	DECOD-P	97-14-106	434-40-100	DECOD-P	97-14-106	434-53-230	DECOD-P	97-14-106
434-34-040	DECOD-P	97-14-106	434-40-110	DECOD-P	97-14-106	434-53-240	DECOD-P	97-14-106
434-34-045	DECOD-P	97-14-106	434-40-120	DECOD-P	97-14-106	434-53-250	DECOD-P	97-14-106
434-34-050	DECOD-P	97-14-106	434-40-130	AMD-P	97-14-106	434-53-260	DECOD-P	97-14-106
434-34-055	DECOD-P	97-14-106	434-40-130	DECOD-P	97-14-106	434-53-270	AMD-P	97-14-106
434-34-060	DECOD-P	97-14-106	434-40-140	REP-P	97-14-106	434-53-270	DECOD-P	97-14-106
434-34-065	DECOD-P	97-14-106	434-40-150	DECOD-P	97-14-106	434-53-280	AMD-P	97-14-106
434-34-070	DECOD-P	97-14-106	434-40-160	AMD-P	97-14-106	434-53-280	DECOD-P	97-14-106
434-34-075	DECOD-P	97-14-106	434-40-160	DECOD-P	97-14-106	434-53-290	AMD-P	97-14-106
434-34-080	DECOD-P	97-14-106	434-40-170	REP-P	97-14-106	434-53-290	DECOD-P	97-14-106

TABLE

Table of WAC Sections Affected

WAC #	ACTION	WSR #	WAC #	ACTION	WSR #	WAC #	ACTION	WSR #
434-334-015	RECOD-P	97-14-106	446-20-090	AMD	97-05-048	466-03-020	REP-P	97-12-074
434-334-020	RECOD-P	97-14-106	446-20-100	AMD	97-05-048	466-03-020	REP	97-15-110
434-334-025	RECOD-P	97-14-106	446-20-110	REP	97-05-048	466-03-030	REP-P	97-12-074
434-334-030	RECOD-P	97-14-106	446-20-170	AMD	97-05-048	466-03-030	REP	97-15-110
434-334-035	RECOD-P	97-14-106	446-20-280	AMD	97-05-048	466-03-040	REP-P	97-12-074
434-334-040	RECOD-P	97-14-106	446-20-285	AMD	97-05-048	466-03-040	REP	97-15-110
434-334-045	RECOD-P	97-14-106	446-20-500	AMD	97-05-048	466-03-050	REP-P	97-12-074
434-334-050	RECOD-P	97-14-106	446-20-500	PREP	97-17-058	466-03-050	REP	97-15-110
434-334-055	RECOD-P	97-14-106	446-20-510	AMD	97-05-048	466-03-060	REP-P	97-12-074
434-334-060	RECOD-P	97-14-106	446-20-510	PREP	97-17-058	466-03-060	REP	97-15-110
434-334-065	RECOD-P	97-14-106	446-20-520	AMD	97-05-048	466-03-070	REP-P	97-12-074
434-334-070	RECOD-P	97-14-106	446-20-525	PREP	97-17-058	466-03-070	REP	97-15-110
434-334-075	RECOD-P	97-14-106	446-20-530	AMD	97-05-048	466-03-080	REP-P	97-12-074
434-334-080	RECOD-P	97-14-106	458-10-010	NEW	97-08-068	466-03-080	REP	97-15-110
434-334-085	RECOD-P	97-14-106	458-10-020	NEW	97-08-068	466-03-090	REP-P	97-12-074
434-334-090	RECOD-P	97-14-106	458-10-030	NEW	97-08-068	466-03-090	REP	97-15-110
434-334-095	RECOD-P	97-14-106	458-10-040	NEW	97-08-068	466-03-100	REP-P	97-12-074
434-334-100	RECOD-P	97-14-106	458-10-050	NEW	97-08-068	466-03-100	REP	97-15-110
434-334-105	RECOD-P	97-14-106	458-10-060	NEW	97-08-068	466-03-110	REP-P	97-12-074
434-334-110	RECOD-P	97-14-106	458-10-070	NEW	97-08-068	466-03-110	REP	97-15-110
434-334-115	RECOD-P	97-14-106	458-12-130	PREP-X	97-14-043	466-03-120	REP-P	97-12-074
434-379-010	RECOD-P	97-14-106	458-12-185	PREP-X	97-14-043	466-03-120	REP	97-15-110
434-840-350	AMD-P	97-14-106	458-12-340	PREP-X	97-14-043	466-03-130	REP-P	97-12-074
440-22-005	AMD	97-03-062	458-12-341	PREP-X	97-14-043	466-03-130	REP	97-15-110
440-22-005	AMD-S	97-08-073	458-12-345	PREP-X	97-14-043	466-03-900	REP-P	97-12-074
440-22-005	AMD	97-13-050	458-12-355	PREP-X	97-14-043	466-03-900	REP	97-15-110
440-22-180	AMD-S	97-08-073	458-12-365	PREP-X	97-14-043	466-04-010	REP-P	97-12-074
440-22-180	AMD	97-13-050	458-12-370	PREP-X	97-14-043	466-04-010	REP	97-15-110
440-22-200	AMD-S	97-08-073	458-12-375	PREP-X	97-14-043	466-04-020	REP-P	97-12-074
440-22-200	AMD	97-13-050	458-12-385	PREP-X	97-14-043	466-04-020	REP	97-15-110
440-22-220	AMD-S	97-08-073	458-20-101	AMD	97-08-050	466-04-030	REP-P	97-12-074
440-22-220	AMD	97-13-050	458-20-104	AMD	97-08-050	466-04-030	REP	97-15-110
440-22-220	AMD-E	97-15-033	458-20-14601	NEW	97-11-033	466-04-040	REP-P	97-12-074
440-22-220	AMD-P	97-15-133	458-20-174	AMD-P	97-07-079	466-04-040	REP	97-15-110
440-22-225	AMD-S	97-08-073	458-20-174	AMD	97-11-022	466-04-050	REP-P	97-12-074
440-22-225	AMD	97-13-050	458-20-17401	AMD-P	97-07-079	466-04-050	REP	97-15-110
440-22-230	AMD-S	97-08-073	458-20-17401	AMD	97-11-022	466-04-060	REP-P	97-12-074
440-22-230	AMD	97-13-050	458-20-184	PREP-X	97-14-042	466-04-060	REP	97-15-110
440-22-240	AMD-S	97-08-073	458-20-263	NEW	97-03-027	466-04-070	REP-P	97-12-074
440-22-240	AMD	97-13-050	458-40-540	AMD	97-07-041	466-04-070	REP	97-15-110
440-22-250	AMD-S	97-08-073	458-40-540	AMD-W	97-11-060	466-07-010	REP-P	97-12-074
440-22-250	AMD	97-13-050	458-40-660	PREP	97-06-111	466-07-010	REP-E	97-15-109
440-22-253	NEW-S	97-08-073	458-40-660	AMD-P	97-10-027	466-07-010	REP	97-15-110
440-22-253	NEW	97-13-050	458-40-660	AMD	97-14-068	466-08-010	REP-P	97-12-074
440-22-255	NEW-S	97-08-073	460-21B-050	AMD	97-03-122	466-08-010	REP	97-15-110
440-22-255	NEW	97-13-050	460-21B-080	REP	97-03-122	466-08-020	REP-P	97-12-074
440-22-257	NEW-S	97-08-073	460-22B-070	REP	97-03-122	466-08-020	REP	97-15-110
440-22-257	NEW	97-13-050	460-22B-080	REP	97-03-122	466-08-030	REP-P	97-12-074
440-22-260	AMD-S	97-08-073	460-22B-090	AMD-P	97-13-076	466-08-030	REP	97-15-110
440-22-260	AMD	97-13-050	460-22B-090	AMD	97-16-050	466-08-040	REP-P	97-12-074
440-22-280	AMD-S	97-08-073	460-24A	PREP	97-08-059	466-08-040	REP	97-15-110
440-22-280	AMD	97-13-050	460-24A-040	AMD-P	97-13-076	466-08-050	REP-P	97-12-074
440-22-300	AMD-S	97-08-073	460-24A-040	AMD	97-16-050	466-08-050	REP	97-15-110
440-22-300	AMD	97-13-050	460-24A-045	AMD-P	97-13-076	466-08-060	REP-P	97-12-074
440-22-310	AMD-S	97-08-073	460-24A-045	AMD	97-16-050	466-08-060	REP	97-15-110
440-22-320	AMD-S	97-08-073	460-24A-045	AMD	97-16-050	466-08-070	REP-P	97-12-074
440-22-320	AMD	97-13-050	460-24A-046	REP	97-03-122	466-08-070	REP	97-15-110
440-22-325	AMD-S	97-08-073	460-24A-050	AMD-P	97-13-076	466-08-080	REP-P	97-12-074
440-22-325	AMD	97-13-050	460-24A-050	AMD	97-16-050	466-08-080	REP	97-15-110
440-22-335	AMD-S	97-08-073	460-24A-170	AMD-P	97-13-076	466-08-090	REP-P	97-12-074
440-22-335	AMD	97-13-050	460-24A-170	AMD	97-16-050	466-08-090	REP	97-15-110
440-22-406	NEW	97-03-062	460-42A-082	NEW-P	97-13-077	468-16-030	AMD-P	97-05-007
446-16-010	AMD	97-05-048	460-42A-082	NEW	97-16-051	468-16-030	AMD	97-09-045
446-16-025	AMD	97-05-048	460-44A-300	NEW-P	97-08-061	468-16-080	AMD-P	97-05-007
446-16-030	AMD	97-05-048	460-44A-300	NEW	97-16-121	468-16-080	AMD	97-09-045
446-16-040	REP	97-05-048	460-44A-506	PREP	97-08-057	468-16-090	AMD-P	97-05-007
446-16-050	REP	97-05-048	461-08-310	AMD-E	97-12-004	468-16-090	AMD	97-09-045
446-16-070	AMD	97-05-048	461-08-310	AMD-P	97-15-057	468-16-100	AMD-P	97-05-007
446-16-080	AMD	97-05-048	461-08-560	AMD-P	97-15-057	468-16-100	AMD-P	97-05-007
446-16-100	AMD	97-05-048	461-08-570	AMD-P	97-15-057	468-16-120	AMD-P	97-09-045
446-16-110	AMD	97-05-048	466-02-010	REP-P	97-12-074	468-16-120	AMD	97-05-007
446-16-120	AMD	97-05-048	466-02-010	REP	97-15-110	468-16-130	AMD-P	97-09-045
446-20-050	AMD	97-05-048	466-03-010	REP-P	97-12-074	468-16-130	AMD	97-09-045
			466-03-010	REP	97-15-110			

TABLE

Table of WAC Sections Affected

WAC #	ACTION	WSR #	WAC #	ACTION	WSR #	WAC #	ACTION	WSR #
468-16-140	AMD-P	97-05-007	478-04-020	AMD-P	97-08-062	478-116-163	NEW	97-14-005
468-16-140	AMD	97-09-045	478-04-020	AMD	97-14-004	478-116-165	NEW-P	97-09-071
468-16-150	AMD-P	97-05-007	478-108-020	AMD-P	97-08-062	478-116-165	NEW	97-14-005
468-16-150	AMD	97-09-045	478-108-020	AMD	97-14-004	478-116-167	NEW-P	97-09-071
468-16-160	AMD-P	97-05-007	478-116-010	AMD-P	97-09-071	478-116-167	NEW	97-14-005
468-16-160	AMD	97-09-045	478-116-010	AMD	97-14-005	478-116-170	REP-P	97-09-071
468-16-170	AMD-P	97-05-007	478-116-020	AMD-P	97-09-071	478-116-170	REP	97-14-005
468-16-170	AMD	97-09-045	478-116-020	AMD	97-14-005	478-116-171	NEW-P	97-09-071
468-16-180	AMD-P	97-05-007	478-116-030	AMD-P	97-09-071	478-116-171	NEW	97-14-005
468-16-180	AMD	97-09-045	478-116-030	AMD	97-14-005	478-116-180	REP-P	97-09-071
468-66	PREP	97-09-070	478-116-044	NEW-P	97-09-071	478-116-180	REP	97-14-005
468-66-010	AMD-P	97-13-028	478-116-044	NEW	97-14-005	478-116-181	NEW-P	97-09-071
468-66-010	AMD	97-17-010	478-116-046	NEW-P	97-09-071	478-116-181	NEW	97-14-005
468-66-030	AMD-P	97-13-028	478-116-046	NEW	97-14-005	478-116-184	NEW-P	97-09-071
468-66-030	AMD	97-17-010	478-116-050	REP-P	97-09-071	478-116-184	NEW	97-14-005
468-66-150	AMD-P	97-13-028	478-116-050	REP	97-14-005	478-116-186	NEW-P	97-09-071
468-66-150	AMD	97-17-010	478-116-051	NEW-P	97-09-071	478-116-186	NEW	97-14-005
468-86-010	NEW-P	97-06-005	478-116-051	NEW	97-14-005	478-116-190	REP-P	97-09-071
468-86-010	NEW	97-09-046	478-116-055	REP-P	97-09-071	478-116-190	REP	97-14-005
468-86-020	NEW-P	97-06-005	478-116-055	REP	97-14-005	478-116-191	NEW-P	97-09-071
468-86-020	NEW	97-09-046	478-116-060	REP-P	97-09-071	478-116-191	NEW	97-14-005
468-86-030	NEW-P	97-06-005	478-116-060	REP	97-14-005	478-116-200	REP-P	97-09-071
468-86-030	NEW	97-09-046	478-116-061	NEW-P	97-09-071	478-116-200	REP	97-14-005
468-86-040	NEW-P	97-06-005	478-116-061	NEW	97-14-005	478-116-201	NEW-P	97-09-071
468-86-040	NEW	97-09-046	478-116-061	NEW	97-14-005	478-116-201	NEW	97-14-005
468-86-050	NEW-P	97-06-005	478-116-070	REP-P	97-09-071	478-116-210	REP-P	97-09-071
468-86-050	NEW	97-09-046	478-116-070	REP	97-14-005	478-116-210	REP	97-14-005
468-86-060	NEW-P	97-06-005	478-116-071	NEW-P	97-09-071	478-116-211	NEW-P	97-09-071
468-86-060	NEW	97-09-046	478-116-071	NEW	97-14-005	478-116-211	NEW	97-14-005
468-86-070	NEW-P	97-06-005	478-116-080	REP-P	97-09-071	478-116-220	REP-P	97-09-071
468-86-070	NEW	97-09-046	478-116-080	REP	97-14-005	478-116-220	REP	97-14-005
468-86-080	NEW-P	97-06-005	478-116-088	REP-P	97-09-071	478-116-221	NEW-P	97-09-071
468-86-080	NEW	97-09-046	478-116-088	REP	97-14-005	478-116-221	NEW	97-14-005
468-86-090	NEW-P	97-06-005	478-116-090	REP-P	97-09-071	478-116-222	NEW-P	97-09-071
468-86-090	NEW	97-09-046	478-116-090	REP	97-14-005	478-116-223	NEW	97-14-005
468-86-090	NEW	97-09-046	478-116-095	REP-P	97-09-071	478-116-225	NEW-P	97-09-071
468-86-100	NEW-P	97-06-005	478-116-095	REP	97-14-005	478-116-225	NEW	97-14-005
468-86-100	NEW	97-09-046	478-116-100	REP-P	97-09-071	478-116-225	NEW	97-14-005
468-86-110	NEW-P	97-06-005	478-116-100	REP	97-14-005	478-116-227	NEW-P	97-09-071
468-86-110	NEW	97-09-046	478-116-101	NEW-P	97-09-071	478-116-227	NEW	97-14-005
468-86-120	NEW-P	97-06-005	478-116-101	NEW	97-14-005	478-116-230	REP-P	97-09-071
468-86-120	NEW	97-09-046	478-116-110	REP-P	97-09-071	478-116-230	REP	97-14-005
468-86-130	NEW-P	97-06-005	478-116-110	REP	97-14-005	478-116-231	NEW-P	97-09-071
468-86-130	NEW	97-09-046	478-116-111	NEW-P	97-09-071	478-116-231	NEW	97-14-005
468-86-140	NEW-P	97-06-005	478-116-111	NEW	97-14-005	478-116-240	REP-P	97-09-071
468-86-140	NEW	97-09-046	478-116-114	NEW-P	97-09-071	478-116-240	REP	97-14-005
468-86-150	NEW-P	97-06-005	478-116-114	NEW	97-14-005	478-116-241	NEW-P	97-09-071
468-86-150	NEW	97-09-046	478-116-116	NEW-P	97-09-071	478-116-241	NEW	97-14-005
468-86-160	NEW-P	97-06-005	478-116-116	NEW	97-14-005	478-116-245	NEW-P	97-09-071
468-86-160	NEW	97-09-046	478-116-120	REP-P	97-09-071	478-116-245	NEW	97-14-005
468-105	PREP	97-08-016	478-116-120	REP	97-14-005	478-116-250	REP-P	97-09-071
468-105-020	AMD-P	97-11-040	478-116-121	NEW-P	97-09-071	478-116-250	REP	97-14-005
468-105-020	AMD	97-14-037	478-116-121	NEW	97-14-005	478-116-251	NEW-P	97-09-071
468-105-040	AMD-P	97-11-040	478-116-125	NEW-P	97-09-071	478-116-251	NEW	97-14-005
468-105-040	AMD	97-14-037	478-116-125	NEW	97-14-005	478-116-253	NEW-P	97-09-071
468-105-050	AMD-P	97-11-040	478-116-130	REP-P	97-09-071	478-116-253	NEW	97-14-005
468-105-050	AMD	97-14-037	478-116-130	REP	97-14-005	478-116-255	NEW-P	97-09-071
468-105-060	AMD-P	97-11-040	478-116-131	NEW-P	97-09-071	478-116-255	NEW	97-14-005
468-105-060	AMD	97-14-037	478-116-131	NEW	97-14-005	478-116-260	REP-P	97-09-071
468-105-070	AMD-P	97-11-040	478-116-140	REP-P	97-09-071	478-116-260	REP	97-14-005
468-105-070	AMD	97-14-037	478-116-140	REP	97-14-005	478-116-261	NEW-P	97-09-071
468-105-080	AMD-P	97-11-040	478-116-141	NEW-P	97-09-071	478-116-261	NEW	97-14-005
468-105-080	AMD	97-14-037	478-116-141	NEW	97-14-005	478-116-270	REP-P	97-09-071
468-200-080	AMD	97-03-064	478-116-145	NEW-P	97-09-071	478-116-270	REP	97-14-005
468-200-160	AMD	97-03-064	478-116-145	NEW	97-14-005	478-116-271	NEW-P	97-09-071
468-200-350	AMD	97-03-064	478-116-147	NEW-P	97-09-071	478-116-271	NEW	97-14-005
468-300-210	PREP	97-03-118	478-116-147	NEW	97-14-005	478-116-280	REP-P	97-09-071
468-300-210	REP-P	97-12-074	478-116-151	NEW-P	97-09-071	478-116-280	REP	97-14-005
468-300-210	REP-E	97-15-109	478-116-151	NEW	97-14-005	478-116-281	NEW-P	97-09-071
468-300-210	REP	97-15-110	478-116-160	REP-P	97-09-071	478-116-281	NEW	97-14-005
468-300-220	NEW-P	97-12-074	478-116-160	REP	97-14-005	478-116-290	REP-P	97-09-071
468-300-220	NEW-E	97-15-109	478-116-161	NEW-P	97-09-071	478-116-290	REP	97-14-005
468-300-220	NEW	97-15-110	478-116-161	NEW	97-14-005	478-116-291	NEW-P	97-09-071
468-500-001	NEW	97-06-002	478-116-163	NEW-P	97-09-071	478-116-291	NEW	97-14-005

Table of WAC Sections Affected

WAC #	ACTION	WSR #	WAC #	ACTION	WSR #	WAC #	ACTION	WSR #
478-116-300	REP-P	97-09-071	478-116-589	REP	97-14-005	478-160-310	AMD	97-14-004
478-116-300	REP	97-14-005	478-116-590	REP-P	97-09-071	478-160-320	AMD-P	97-08-062
478-116-301	NEW-P	97-09-071	478-116-590	REP	97-14-005	478-160-320	AMD	97-14-004
478-116-301	NEW	97-14-005	478-116-601	REP-P	97-09-071	478-250-050	AMD-P	97-08-062
478-116-310	REP-P	97-09-071	478-116-601	REP	97-14-005	478-250-050	AMD	97-14-004
478-116-310	REP	97-14-005	478-116-605	NEW-P	97-09-071	478-250-060	AMD-P	97-08-062
478-116-311	NEW-P	97-09-071	478-116-605	NEW	97-14-005	478-250-060	AMD	97-14-004
478-116-311	NEW	97-14-005	478-116-610	REP-P	97-09-071	478-276-030	REP-P	97-08-062
478-116-320	REP-P	97-09-071	478-116-610	REP	97-14-005	478-276-030	REP	97-14-004
478-116-320	REP	97-14-005	478-116-611	NEW-P	97-09-071	478-276-040	REP-P	97-08-062
478-116-330	REP-P	97-09-071	478-116-611	NEW	97-14-005	478-276-040	REP	97-14-004
478-116-330	REP	97-14-005	478-116-620	NEW-P	97-09-071	478-276-060	AMD-P	97-08-062
478-116-340	REP-P	97-09-071	478-116-620	NEW	97-14-005	478-276-060	AMD	97-14-004
478-116-340	REP	97-14-005	478-116-630	NEW-P	97-09-071	478-276-070	AMD-P	97-08-062
478-116-345	REP-P	97-09-071	478-116-630	NEW	97-14-005	478-276-070	AMD	97-14-004
478-116-345	REP	97-14-005	478-116-640	NEW-P	97-09-071	478-276-080	AMD-P	97-08-062
478-116-350	REP-P	97-09-071	478-116-640	NEW	97-14-005	478-276-080	AMD	97-14-004
478-116-350	REP	97-14-005	478-116-650	NEW-P	97-09-071	478-276-100	AMD-P	97-08-062
478-116-355	REP-P	97-09-071	478-116-650	NEW	97-14-005	478-276-100	AMD	97-14-004
478-116-355	REP	97-14-005	478-116-660	NEW-P	97-09-071	478-276-105	NEW-P	97-08-062
478-116-360	REP-P	97-09-071	478-116-660	NEW	97-14-005	478-276-105	NEW	97-14-004
478-116-360	REP	97-14-005	478-116-670	NEW-P	97-09-071	478-276-140	AMD-P	97-08-062
478-116-370	REP-P	97-09-071	478-116-670	NEW	97-14-005	478-276-140	AMD	97-14-004
478-116-370	REP	97-14-005	478-136	PREP	97-10-077	480-04	PREP	97-17-047
478-116-380	REP-P	97-09-071	478-136-010	AMD-P	97-18-064	480-09	PREP	97-17-047
478-116-380	REP	97-14-005	478-136-012	AMD-P	97-18-064	480-11	PREP	97-17-047
478-116-390	REP-P	97-09-071	478-136-015	AMD-P	97-18-064	480-31-010	NEW	97-08-037
478-116-390	REP	97-14-005	478-136-025	AMD-P	97-18-064	480-31-020	NEW	97-08-037
478-116-400	REP-P	97-09-071	478-136-030	AMD-P	97-18-064	480-31-030	NEW	97-08-037
478-116-400	REP	97-14-005	478-136-040	REP-P	97-18-064	480-31-040	NEW	97-08-037
478-116-401	NEW-P	97-09-071	478-136-060	AMD-P	97-18-064	480-31-050	NEW	97-08-037
478-116-401	NEW	97-14-005	478-156	PREP	97-16-101	480-31-060	NEW	97-08-037
478-116-411	NEW-P	97-09-071	478-160-035	AMD-P	97-08-062	480-31-070	NEW	97-08-037
478-116-411	NEW	97-14-005	478-160-035	AMD	97-14-004	480-31-080	NEW	97-08-037
478-116-421	NEW-P	97-09-071	478-160-040	AMD-P	97-08-062	480-31-090	NEW	97-08-037
478-116-421	NEW	97-14-005	478-160-040	AMD	97-14-004	480-31-100	NEW	97-08-037
478-116-431	NEW-P	97-09-071	478-160-050	AMD-P	97-08-062	480-31-100	NEW	97-08-037
478-116-431	NEW	97-14-005	478-160-050	AMD	97-14-004	480-31-110	NEW	97-08-037
478-116-440	REP-P	97-09-071	478-160-060	AMD-P	97-08-062	480-31-120	NEW	97-08-037
478-116-440	REP	97-14-005	478-160-060	AMD	97-14-004	480-31-130	NEW	97-08-037
478-116-450	REP-P	97-09-071	478-160-065	AMD-P	97-08-062	480-31-140	NEW	97-08-037
478-116-450	REP	97-14-005	478-160-065	AMD	97-14-004	480-35	PREP	97-17-046
478-116-460	REP-P	97-09-071	478-160-085	AMD-P	97-08-062	480-69	PREP	97-17-046
478-116-460	REP	97-14-005	478-160-085	AMD	97-14-004	480-75-002	NEW	97-07-042
478-116-501	NEW-P	97-09-071	478-160-105	AMD-P	97-08-062	480-75-005	NEW	97-07-042
478-116-501	NEW	97-14-005	478-160-105	AMD	97-14-004	480-75-230	NEW	97-07-042
478-116-520	AMD-P	97-09-071	478-160-110	AMD-P	97-08-062	480-80-330	AMD-E	97-17-026
478-116-520	AMD	97-14-005	478-160-110	AMD	97-14-004	480-120-027	AMD-E	97-17-026
478-116-531	NEW-P	97-09-071	478-160-120	AMD-P	97-08-062	480-120-042	AMD-P	97-11-072
478-116-531	NEW	97-14-005	478-160-120	AMD	97-14-004	480-120-042	AMD	97-18-056
478-116-540	REP-P	97-09-071	478-160-125	AMD-P	97-08-062	480-120-106	PREP	97-11-071
478-116-540	REP	97-14-005	478-160-125	AMD	97-14-004	480-120-137	PREP	97-08-036
478-116-541	NEW-P	97-09-071	478-160-130	AMD-P	97-08-062	480-120-138	PREP	97-08-036
478-116-541	NEW	97-14-005	478-160-130	AMD	97-14-004	480-120-139	NEW-P	97-11-072
478-116-550	REP-P	97-09-071	478-160-140	AMD-P	97-08-062	480-120-139	NEW	97-18-056
478-116-550	REP	97-14-005	478-160-140	AMD	97-14-004	480-120-141	PREP	97-08-036
478-116-551	NEW-P	97-09-071	478-160-160	AMD-P	97-08-062	480-120-142	PREP	97-08-036
478-116-551	NEW	97-14-005	478-160-160	AMD	97-14-004	480-123-010	NEW-E	97-17-026
478-116-561	NEW-P	97-09-071	478-160-162	AMD-P	97-08-062	480-150	PREP	97-17-046
478-116-561	NEW	97-14-005	478-160-162	AMD	97-14-004	484-20-103	AMD	97-06-013
478-116-570	REP-P	97-09-071	478-160-175	AMD-P	97-08-062	484-20-120	AMD	97-06-013
478-116-570	REP	97-14-005	478-160-175	AMD	97-14-004	490-500	PREP	97-13-086
478-116-580	REP-P	97-09-071	478-160-210	AMD-P	97-08-062	491-10-010	PREP-X	97-13-046
478-116-580	REP	97-14-005	478-160-210	AMD	97-14-004	491-10-010	REP	97-18-001
478-116-582	REP-P	97-09-071	478-160-230	AMD-P	97-08-062	495A-120-041	NEW-P	97-07-003
478-116-582	REP	97-14-005	478-160-230	AMD	97-14-004	495A-120-042	NEW-P	97-07-003
478-116-584	REP-P	97-09-071	478-160-246	AMD-P	97-08-062	495A-120-043	NEW-P	97-07-003
478-116-584	REP	97-14-005	478-160-246	AMD	97-14-004	495A-141-010	NEW-P	97-07-002
478-116-586	REP-P	97-09-071	478-160-290	AMD-P	97-08-062	495A-141-010	NEW	97-12-038
478-116-586	REP	97-14-005	478-160-290	AMD	97-14-004	495A-141-011	NEW-P	97-07-002
478-116-588	REP-P	97-09-071	478-160-295	AMD-P	97-08-062	495A-141-011	NEW	97-12-038
478-116-588	REP	97-14-005	478-160-295	AMD	97-14-004	495A-141-012	NEW-P	97-07-002
478-116-589	REP-P	97-09-071	478-160-310	AMD-P	97-08-062	495A-141-012	NEW	97-12-038
						495A-141-013	NEW-P	97-07-002

TABLE

Table of WAC Sections Affected

WAC #	ACTION	WSR #	WAC #	ACTION	WSR #	WAC #	ACTION	WSR #
495A-141-013	NEW	97-12-038						
495A-141-014	NEW-P	97-07-002						
495A-141-014	NEW	97-12-038						
495A-141-030	NEW-P	97-07-002						
495A-141-030	NEW	97-12-038						
495A-141-035	NEW-P	97-07-002						
495A-141-035	NEW	97-12-038						
495A-141-040	NEW-P	97-07-002						
495A-141-040	NEW	97-12-038						
495A-141-045	NEW-P	97-07-002						
495A-141-045	NEW	97-12-038						
495A-141-050	NEW-P	97-07-002						
495A-141-050	NEW	97-12-038						
495A-141-055	NEW-P	97-07-002						
495A-141-055	NEW	97-12-038						
495A-141-060	NEW-P	97-07-002						
495A-141-060	NEW	97-12-038						
495A-141-065	NEW-P	97-07-002						
495A-141-065	NEW	97-12-038						
495A-141-070	NEW-P	97-07-002						
495A-141-070	NEW	97-12-038						
495A-141-080	NEW-P	97-07-002						
495A-141-080	NEW	97-12-038						
495A-141-090	NEW-P	97-07-002						
495A-141-090	NEW	97-12-038						
495A-141-100	NEW-P	97-07-002						
495A-141-100	NEW	97-12-038						
495A-141-110	NEW-P	97-07-002						
495A-141-110	NEW	97-12-038						
495A-141-120	NEW-P	97-07-002						
495A-141-120	NEW	97-12-038						
495A-141-130	NEW-P	97-07-002						
495A-141-130	NEW	97-12-038						
495A-141-140	NEW-P	97-07-002						
495A-141-140	NEW	97-12-038						
495A-141-150	NEW-P	97-07-002						
495A-141-150	NEW	97-12-038						
495A-141-160	NEW-P	97-07-002						
495A-141-160	NEW	97-12-038						
495A-141-165	NEW-P	97-07-002						
495A-141-165	NEW	97-12-038						
495A-141-170	NEW-P	97-07-002						
495A-141-170	NEW	97-12-038						
495A-141-180	NEW-P	97-07-002						
495A-141-180	NEW	97-12-038						
495B-120-035	NEW-P	97-03-071						
495B-120-035	NEW	97-11-014						
504-12-010	PREP-X	97-14-038						
504-12-020	PREP-X	97-14-038						
504-12-030	PREP-X	97-14-038						
504-12-040	PREP-X	97-14-038						
504-12-050	PREP-X	97-14-038						
504-36-030	AMD-P	97-10-086						
504-36-030	AMD-C	97-16-072						
516-12	PREP	97-06-014						
516-12-400	AMD-P	97-11-025						
516-12-400	AMD	97-17-052						
516-12-420	AMD-P	97-11-025						
516-12-420	AMD	97-17-052						
516-12-430	AMD-P	97-11-025						
516-12-430	AMD	97-17-052						
516-12-450	AMD-P	97-11-025						
516-12-450	AMD	97-17-052						
516-12-460	AMD-P	97-11-025						
516-12-460	AMD	97-17-052						
516-12-470	AMD-P	97-11-025						
516-12-470	AMD	97-17-052						
516-12-480	AMD-P	97-11-025						
516-12-480	AMD	97-17-052						

TABLE



Subject/Agency Index

(Citation in **bold type** refer to material in this issue)

AGRICULTURE, DEPARTMENT OF

Adjudicative proceedings	PROP 97-08-086 PERM 97-14-050	Lentil seed quarantine	PROP 97-04-090 PROP 97-05-058 PROP 97-05-059
Animal health brucellosis vaccine	PERM 97-01-067	Lentils assessments	PREP 97-08-083 PROP 97-11-085 PROP 97-15-151 PREP 97-08-088 PREP 97-05-037 PROP 97-09-103 PERM 97-12-024
Animals dead animals, offal, and meat scraps, transportation and disposal	EXRE 97-14-048 PERM 97-18-042	Livestock identification program Metrology lab service fee	PREP 97-06-011 PROP 97-15-115
import permits for animals banned as pets mink importation semen	PERM 97-01-068 EXRE 97-14-048 EXRE 97-14-048	Milk and milk products raw milk	PREP 97-06-011 PROP 97-15-115
Apiaries fees penalties	PREP 97-15-124 PREP 97-15-124	Noxious weed control board meetings	MISC 97-01-045 MISC 97-17-075 PROP 97-01-044 PERM 97-06-108 PREP 97-12-019 PROP 97-01-044 PERM 97-06-108 PREP 97-12-019 EMER 97-17-048 PREP 97-17-094
Apples apple maggot quarantine	PROP 97-04-089 PERM 97-09-098 EMER 97-03-063	noxious weed list	PROP 97-01-044 PERM 97-06-108 PREP 97-12-019 PROP 97-01-044 PERM 97-06-108 PREP 97-12-019 EMER 97-17-048 PREP 97-17-094
controlled atmosphere storage, resealing		schedule of penalties	
Asparagus standards	PERM 97-01-081 PROP 97-02-098 PERM 97-05-054	yellow nutsedge quarantine	
Asparagus commission meetings	MISC 97-01-050 MISC 97-03-111	Organic food dairy products standards	PREP 97-04-065 PREP 97-15-029
Barley commission meetings	MISC 97-01-120 MISC 97-15-104	handler certification meat products standards	PREP 97-04-065 PREP 97-15-028 PERM 97-02-008 PREP 97-16-066
Beef commission meetings	MISC 97-03-072 MISC 97-09-005	processor certification producer certification	
Canola and rapeseed commission establishment	PROP 97-11-084 PROP 97-17-063	Pesticide registration, commission on meetings	MISC 97-01-060 MISC 97-06-004
Cattle brucellosis vaccine	PERM 97-01-067	Pesticides application permits	PROP 97-02-094 PROP 97-06-003
Dry peas assessments	PREP 97-08-083 PROP 97-11-085 PROP 97-15-151	Potatoes seed potato certification	PREP 97-01-125 PROP 97-07-075 PERM 97-11-028
Fairs state fair fund allocation	PROP 97-01-080 PROP 97-04-077 PERM 97-04-078 PROP 97-09-025 PERM 97-12-028	Quarantine apple maggot	PROP 97-04-089 PERM 97-09-098 PROP 97-04-090 PROP 97-05-058 PROP 97-05-059 PERM 97-11-015 PROP 97-04-089 PERM 97-09-098 PROP 97-05-059 EMER 97-17-048 PREP 97-17-094
Farmed salmon commission assessments	PREP 97-10-098 PROP 97-14-102 PROP 97-17-095	lentil seed	
membership	PREP 97-10-098 PROP 97-14-102 PROP 97-17-095	plum curculio	
Food products bacon packaging	EXRE 97-14-074 PERM 97-18-041	yellow nutsedge	
quality standards, adoption of federal regulations	PERM 97-02-036 PREP 97-13-066	Red raspberry commission meetings	MISC 97-02-018 MISC 97-16-033
violations, penalty assessments		Rules agenda	
Food storage warehouses independent sanitation consultants	PREP 97-16-009 EMER 97-04-020	Seeds certification fees and standards	PROP 97-11-050 PERM 97-16-026 PROP 97-04-090 PROP 97-05-058 PROP 97-05-059 PERM 97-11-015
Ginseng management program		lentil seed quarantine	
Hop commission assessments	PREP 97-05-067 PROP 97-09-095 PERM 97-17-096 MISC 97-01-051 MISC 97-04-017 PREP 97-05-067	Weights and measures calibration services, fee schedule	PREP 97-05-037 PROP 97-09-103 PERM 97-12-024
meetings		equipment, compliance with national standards	PROP 97-09-102 PERM 97-12-076 PREP 97-05-038 PROP 97-09-080 PERM 97-12-075
new varieties spectrophotometric analysis of hops, fees	PERM 97-05-003	standards update	

Subject/Agency Index

(Citation in **bold type** refer to material in this issue)

	EXRE 97-14-049	Fire code		PREP 97-05-065
	PERM 97-18-040	Mechanical code 1997 edition		
ARTS COMMISSION				
Meetings	MISC 97-03-040	Plumbing uniform plumbing code and plumbing code standards 1997 edition		PREP 97-05-065 PROP 97-16-115
ATTORNEY GENERAL'S OFFICE				
Investigative study group meetings	MISC 97-17-085			PREP 97-06-107 PROP 97-16-114
Notice of request for attorney general's opinion	MISC 97-02-061	Policies and procedures		PREP 97-14-112 PROP 97-16-093
	MISC 97-05-063	Public records		PREP 97-14-112 PROP 97-16-094
	MISC 97-06-099			PREP 97-16-094 PROP 97-03-086
	MISC 97-07-047	Refrigeration		PREP 97-03-086 MISC 97-16-109
	MISC 97-10-056	Rules coordinator		PREP 97-05-064 PROP 97-16-112
	MISC 97-14-009	Ventilation and indoor air quality		
	MISC 97-14-039			
	MISC 97-16-100			
Opinions				
city elective offices, residency requirements (1997, No. 3)	MISC 97-12-007			MISC 97-01-053
criminal history record, effect of completion of sentence conditions (1997, No. 1)	MISC 97-03-089			
health, department of				
diet information records (1997, No. 2)	MISC 97-07-060			
state convention and trade center, bidding procedures (1996, No. 18)	MISC 97-01-052			
water system interties, water right permit modification (1996, No. 19)	MISC 97-01-119			
BATES TECHNICAL COLLEGE				
Parking and traffic regulation	PREP 97-01-084 PROP 97-07-002 PERM 97-12-038	Meetings Parking and traffic Services withheld for outstanding debts		PROP 97-15-078 PREP 97-06-008 PROP 97-10-018 PERM 97-17-013 MISC 97-02-042 PREP 97-15-077
Student conduct code	PREP 97-01-083 PROP 97-07-003			PREP 97-15-076
BELLEVUE COMMUNITY COLLEGE				
Meetings	MISC 97-01-121			
BELLINGHAM TECHNICAL COLLEGE				
Hazing policy	PROP 97-03-071 PERM 97-11-014			
Meetings	MISC 97-01-006 MISC 97-03-012 MISC 97-03-019 MISC 97-05-005 MISC 97-06-017 MISC 97-09-006 MISC 97-10-058 MISC 97-12-013 MISC 97-13-014 MISC 97-17-086 MISC 97-18-066	Quarterly reports 96-19 through 96-24 - See Issue 97-02 correction - see Issue 97-03 97-01 through 97-06 - See Issue 97-08 97-07 through 97-12 - See Issue 97-14 Rule-making requirements		PROP 97-12-068 PERM 97-15-035
BENTON COUNTY CLEAN AIR AUTHORITY				
Meetings	MISC 97-03-104			
BIG BEND COMMUNITY COLLEGE				
Meetings	MISC 97-03-056			
BUILDING CODE COUNCIL				
Ammonia refrigerant discharge	EMER 97-01-042 PERM 97-01-135 PROP 97-09-042			
Building code 1997 edition	PREP 97-05-065 PROP 97-16-111			
Energy code personal wireless service facilities, insulation review and update	PERM 97-03-017 PREP 97-05-064 PROP 97-16-110 PROP 97-16-113			
CASCADIA COMMUNITY COLLEGE				
Meetings				
CENTRAL WASHINGTON UNIVERSITY				
Meetings				MISC 97-15-005
CENTRALIA COLLEGE				
Meetings				MISC 97-01-071
CLARK COLLEGE				
Adjudicative proceedings Code of student conduct				
CLOVER PARK TECHNICAL COLLEGE				
Rules coordinator				MISC 97-01-038
CODE REVISER'S OFFICE				
COLUMBIA BASIN COLLEGE				
Meetings				MISC 97-02-020
COLUMBIA RIVER GORGE COMMISSION				
Election signs				PROP 97-15-019
Open space, review uses				PROP 97-15-019
COMMUNITY AND TECHNICAL COLLEGES, BOARD FOR				
Adult education advisory council meetings				MISC 97-11-029 PREP 97-14-024 EMER 97-14-070 PROP 97-16-089 EMER 97-01-007 PREP 97-01-048 PROP 97-01-077 EMER 97-07-006 EMER 97-07-007 PERM 97-10-069
Medical expense plans				
TIAA/CREF retirement plan				
COMMUNITY, TRADE AND ECONOMIC DEVELOPMENT, DEPARTMENT OF				
Affordable housing advisory board public hearings				MISC 97-05-077 MISC 97-14-027

Subject/Agency Index

(Citation in **bold type** refer to material in this issue)

Water			Purchases		
clean water funds, uses and limitations	EMER	97-12-022	central purchasing	PREP	97-17-065
	EXRE	97-13-043	Rules coordinator	MISC	97-15-048
	PERM	97-17-082	School activities' driver's authorization	PROP	97-01-082
Columbia River instream resources protection program	PREP	97-12-092	School psychologists		
ground water management areas			internship	PREP	97-10-007
Grant and Franklin counties	MISC	97-14-085	Schools for the twenty-first century	PREP	97-05-027
surface water pollution control				PROP	97-13-017
comments accepted for lists	MISC	97-09-055		PERM	97-16-023
	MISC	97-17-084	Small school plants		
water quality standards	PROP	97-12-034	designation procedures	PREP	97-09-032
	MISC	97-15-001		PROP	97-13-096
wastewater discharge permit fee	EXRE	97-14-076		PROP	97-14-023
	PREP	97-14-084		PROP	97-16-071
	MISC	97-17-083	Students		
Water rights			due process rights	PREP	97-01-046
application processing	EMER	97-10-091		PROP	97-04-067
	PREP	97-10-094		PERM	97-08-019
	PREP	97-12-090	suspensions	PERM	97-01-047
	PREP	97-12-091	Teachers		
	EMER	97-14-017	certification		
	PROP	97-17-081	administrative policies and procedures	PROP	97-01-105
Watersheds				PERM	97-04-082
planning grants	PREP	97-13-074	lapsed certificates	PREP	97-10-025
Wells				PROP	97-16-092
construction and maintenance standards	PREP	97-10-093	limited certificates	PREP	97-10-009
contractor and operator licensing	PREP	97-10-093	continuing education	PROP	97-01-104
				PERM	97-04-086
				PREP	97-10-011
ECONOMIC DEVELOPMENT FINANCE AUTHORITY			excellence in teacher preparation award	PREP	97-10-010
Meetings	MISC	97-03-103	misconduct, investigation and discipline orders	PROP	97-01-011
				PERM	97-05-008
				PROP	97-05-043
EDMONDS COMMUNITY COLLEGE			performance-based preparation programs, certification	PROP	97-01-100
Meetings	MISC	97-01-005		PROP	97-01-102
	MISC	97-01-074		PERM	97-04-084
	MISC	97-03-005	preparation programs	PERM	97-04-088
	MISC	97-03-059		PROP	97-01-106
	MISC	97-05-018		PERM	97-04-081
	MISC	97-05-019		PREP	97-10-013
	MISC	97-07-004			
	MISC	97-07-021	professional standards, advisory councils	PREP	97-10-012
	MISC	97-07-022	standards	PREP	97-10-015
	MISC	97-07-045	student teaching pilot projects	PREP	97-05-026
	MISC	97-09-014		PROP	97-13-016
	MISC	97-09-026		PERM	97-16-024
	MISC	97-11-012	vocational certification	PROP	97-01-101
	MISC	97-12-045		PERM	97-04-085
	MISC	97-15-021		PREP	97-10-016
	MISC	97-17-008		PREP	97-14-105
	MISC	97-17-054		PROP	97-01-099
				PERM	97-04-087
EDUCATION, STATE BOARD OF			vocational-technical certification		
Definitions			Vocational-technical institutes		
impact on student learning	PREP	97-10-006	modernization financing	PREP	97-09-116
Early childhood education					
subject area endorsement	PREP	97-04-069	EMPLOYMENT SECURITY DEPARTMENT		
Educational staff associates			Employers		
assignment	PREP	97-10-008	predecessor and successor employers	PREP	97-16-012
certification standards	PREP	97-10-015	voluntary audits	PREP	97-16-011
Funding of schools			Rules agenda	MISC	97-16-047
accounting practices	PREP	97-09-115	Unemployment benefits		
certificated staff requirements	PROP	97-01-103	dislocated forest products and fishing workers	EMER	97-15-022
	PERM	97-04-083		PREP	97-16-010
state support	PREP	97-10-014		MISC	97-18-037
High school credit	PREP	97-01-010		PREP	97-11-086
	PROP	97-04-066			
	PERM	97-08-020	pregnant claimants		
Literacy					
subject area endorsement	PREP	97-04-068	ENGINEERS AND LAND SURVEYORS		
Principal preparation programs			(See DEPARTMENT OF LICENSING)		
internships	PREP	97-14-104			
Property					
central purchasing	PREP	97-17-065			
real property sales contracts	PREP	97-17-066			

Subject/Agency Index

(Citation in **bold type** refer to material in this issue)

ENVIRONMENTAL HEARINGS OFFICE

Appeals
 computation of appeal period time
 EMER 97-12-003
 EMER 97-12-004
 PROP 97-15-056
 PROP 97-15-057

EVERETT COMMUNITY COLLEGE

Disclosure of student information
 PREP 97-08-080
 PROP 97-11-068
 MISC 97-01-072

Meetings
 Offices
 address and title clarification
 PREP 97-08-081
 PROP 97-11-069

EVERGREEN STATE COLLEGE, THE

Environmental Policy Act
 PREP 97-05-044
 PROP 97-09-084
 PERM 97-13-047

Faculty
 mid-contract termination, procedures
 PREP 97-05-044
 PROP 97-09-084
 PERM 97-13-047
 MISC 97-07-025

Meetings
 Organization
 revision
 PREP 97-05-044
 PROP 97-09-084
 PERM 97-13-047

Parking
 PREP 97-05-044
 PROP 97-09-084

Public records
 PREP 97-05-044
 PROP 97-09-084

Tuition and fees
 PERM 97-13-047
 PREP 97-05-044
 PROP 97-09-084
 PERM 97-13-047

EXECUTIVE ETHICS BOARD

Administrative procedures
 Ethical standards
 civil penalties for violations
 PREP 97-15-041
 PROP 97-03-133
 PERM 97-07-058

Meetings
 MISC 97-07-057
 MISC 97-09-100
 PREP 97-13-006

Personal use of state computers

EXPEDITED REPEAL

Agriculture, department of
 animals
 dead animals, offal, and meat scraps,
 transportation and disposal
 EXRE 97-14-048
 PERM 97-18-042
 EXRE 97-14-048
 EXRE 97-14-048
 EXRE 97-14-074
 PERM 97-18-041

mink importation
 semen
 bacon packaging
 EXRE 97-14-049
 PERM 97-18-040

weights and measures
 standards
 EXRE 97-14-049
 PERM 97-18-040

Community, trade and economic development,
 department of
 Washington heritage council
 EXRE 97-14-010

Ecology, department of
 air quality
 emission units and insignificant
 activities
 EXRE 97-14-075

Model Toxics Control Act
 local toxics control account
 EXRE 97-13-039
 EXRE 97-13-041
 PERM 97-18-043
 PERM 97-18-046

moderate risk waste grants
 EXRE 97-13-040
 PERM 97-18-048

solid waste management planning
 EXRE 97-13-042
 PERM 97-18-047

waste reduction and recycling
 grants program
 EXRE 97-13-037
 EXRE 97-13-038
 PERM 97-18-044
 PERM 97-18-045
 EXRE 97-14-076

wastewater discharge permit fee
 water
 clean water funds, uses and
 limitations
 EXRE 97-13-043
 PERM 97-17-082

Health, department of
 chiropractic quality assurance
 commission
 health and sanitation
 EXRE 97-14-058
 EXRE 97-14-056
 EXRE 97-14-057
 EXRE 97-14-059

hearing and speech program
 EXRE 97-14-060
 EXRE 97-14-062
 EXRE 97-14-064
 EXRE 97-14-065
 EXRE 97-14-066
 EXRE 97-14-069
 EXRE 97-14-067
 EXRE 97-14-061

pharmacy, board of
 physical therapy, board of
 Uniform Disciplinary Act
 Labor and industries, department of
 appeals
 EXRE 97-13-034
 PERM 97-17-064

Licensing, department of
 cosmetology
 EXRE 97-13-026
 PERM 97-17-062
 EXRE 97-13-026

motor vehicle fuels, taxation
 PERM 97-17-062
 EXRE 97-13-026
 PERM 97-17-062
 EXRE 97-13-026
 PERM 97-17-062

motor vehicle impound
 EXRE 97-14-010

Lottery commission
 instant games
 Revenue, department of
 conveyances, tax on
 property tax
 EXRE 97-14-042
 EXRE 97-14-043

Social and health services, department of
 mental health institutions
 repeal of obsolete sections
 EXRE 97-14-071
 PERM 97-18-052

Southwest air pollution control authority
 operating permits
 EXRE 97-13-027

Volunteer firefighters, board for
 emergency medical service district fees
 EXRE 97-13-046
 PERM 97-18-001

Washington state patrol
 motor vehicles
 quartz halogen headlamps
 EXRE 97-14-040
 PERM 97-17-060
 EXRE 97-14-041

tires
 PERM 97-17-061

Washington state university
 contract award procedure
 EXRE 97-14-038

FAMILY AND CHILDREN'S OMBUDSMAN, OFFICE OF
 Organization and operation
 EMER 97-13-061
 PROP 97-15-145

FAMILY POLICY COUNCIL
 Meetings
 MISC 97-05-055

FINANCIAL INSTITUTIONS, DEPARTMENT OF
 Brokers, dealers and salespersons
 federal law compliance
 Certified Investment Management Act
 PERM 97-03-122
 PREP 97-08-058
 PROP 97-13-076

Check cashers and sellers licenses
 fees
 PROP 97-06-092
 PERM 97-09-035

Credit unions
 Title 419 WAC
 PROP 97-03-074

Subject/Agency Index

(Citation in **bold type** refer to material in this issue)

Escrow agents					
interest-bearing trust accounts, use	PROP	97-04-071		PROP	97-09-096
Escrow commission				PROP	97-09-104
meetings	MISC	97-03-061		EMER	97-15-006
	MISC	97-11-024		EMER	97-15-026
Investment advisers and representatives				EMER	97-15-095
dishonest and unethical practices	PREP	97-08-059		EMER	97-16-003
	PREP	97-08-060		PERM	97-16-030
"holding out" provisions	PREP	97-08-058		EMER	97-16-031
	PROP	97-13-076		PERM	97-16-032
	PERM	97-16-050		EMER	97-16-068
sales of securities on premise of				EMER	97-17-003
financial institutions	PREP	97-08-055		EMER	97-17-019
Loan origination services				EMER	97-17-032
computerized systems	PERM	97-01-003		EMER	97-17-057
Mortgage brokerage commission				EMER	97-18-012
licensing	PREP	97-16-027		EMER	97-18-018
meetings	MISC	97-03-061		EMER	97-18-059
National Securities Markets Improvement Act	PREP	97-08-057	sale of eggs and carcasses by		
North American securities administrators			volunteer groups	PERM	97-01-086
association world class foreign				PROP	97-14-078
issuer exemption	PREP	97-08-056	Willapa Bay fishery	PREP	97-06-129
	PROP	97-13-077		PROP	97-09-097
	PERM	97-16-051		PERM	97-15-148
Securities				EMER	97-16-058
interpretive statement	MISC	97-08-054		EMER	97-18-067
offer and sale to certain investors	PROP	97-08-061	sea cucumbers		
	PERM	97-16-121	areas and seasons	EMER	97-14-028
policy statement	MISC	97-08-054		EMER	97-15-023
				EMER	97-15-117
FINANCIAL MANAGEMENT, OFFICE OF				EMER	97-16-016
Paydates for 1998	PREP	97-06-093	sea urchins	EMER	97-16-069
	PROP	97-10-079	areas and seasons		
	PERM	97-13-064		EMER	97-01-002
				EMER	97-01-130
FISH AND WILDLIFE, DEPARTMENT OF				EMER	97-02-059
Aquaculture disease control	PROP	97-01-098		EMER	97-03-045
	PROP	97-01-113		EMER	97-03-101
	PERM	97-08-078		EMER	97-04-011
Fish and wildlife commission				EMER	97-04-049
meetings	MISC	97-02-017	shad	EMER	97-05-025
<u>Fishing, commercial</u>			areas and season		
coastal bottomfish			shellfish	EMER	97-11-045
catch limits	EMER	97-01-128	razor clams		
	EMER	97-10-021	shrimp	EMER	97-07-050
	EMER	97-14-054	coastal spot prawn fishery	PREP	97-06-130
	EMER	97-17-018	emerging commercial fishery	PREP	97-04-079
	EMER	97-18-005		EMER	97-09-044
Puget Sound bottomfish				EMER	97-09-067
take reduction	PERM	97-07-053		EMER	97-10-044
crab fishery	EMER	97-01-032		EMER	97-10-081
	PROP	97-01-127		EMER	97-11-030
	EMER	97-02-060		EMER	97-11-046
	EMER	97-05-029		EMER	97-13-056
	EMER	97-06-054		EMER	97-15-024
	PERM	97-08-052		EMER	97-15-054
	PROP	97-14-080		EMER	97-15-081
herring				EMER	97-17-017
areas and seasons	EMER	97-14-086	seasons and gear	EMER	97-18-053
licenses	PREP	97-14-051	smelt	PROP	97-01-127
salmon			areas and seasons		
Atlantic salmon catch	EMER	97-15-108		EMER	97-04-014
Columbia River above Bonneville	EMER	97-17-073	sturgeon	EMER	97-05-041
	EMER	97-18-060	areas and seasons		
Columbia River below Bonneville	EMER	97-16-075		EMER	97-03-002
	EMER	97-17-074		EMER	97-04-013
	EMER	97-18-013		EMER	97-04-046
commercial troll	EMER	97-10-029		EMER	97-05-042
Grays Harbor fishery	PREP	97-06-129		EMER	97-07-044
	PROP	97-09-097		EMER	97-09-009
	PERM	97-15-148		EMER	97-14-020
	EMER	97-16-058		EMER	97-16-075
Puget Sound net fishery	PREP	97-06-083	lead line weight	EMER	97-16-075
	PREP	97-06-128		PROP	97-04-080
	PROP	97-09-040		PERM	97-07-043

Subject/Agency Index

(Citation in **bold type** refer to material in this issue)

size requirement	PROP 97-04-080	shellfish	
	PERM 97-07-043	areas and seasons	
<u>Fishing, personal use</u>		native clams	EMER 97-02-070
crab	EMER 97-12-037		EMER 97-12-009
crawfish		oysters	EMER 97-17-006
areas and seasons	EMER 97-05-011	razor clams	EMER 97-18-061
food fish			EMER 97-04-045
areas and seasons	EMER 97-03-001	limits	EMER 97-07-051
	EMER 97-10-043	shrimp	EMER 97-10-065
limits	EMER 97-01-034	areas and seasons	EMER 97-09-033
game fish seasons and catch limits			EMER 97-10-070
Chehalis River	EMER 97-09-068		EMER 97-11-011
Clearwater River	EMER 97-09-068		EMER 97-12-037
Coffee Pot Lake	EMER 97-18-002		EMER 97-17-011
Columbia River	EMER 97-06-034		
	EMER 97-06-036	smelt	
	EMER 97-09-008	areas and seasons	EMER 97-06-035
Cowlitz River	EMER 97-06-034	sport fishing rules	PROP 97-05-075
	EMER 97-06-036		PROP 97-07-052
Dungeness River	EMER 97-09-068		PERM 97-07-076
Gray Wolf River	EMER 97-09-068		PERM 97-07-078
Green River	EMER 97-12-035		PERM 97-08-017
Hoh River	EMER 97-09-068		PERM 97-09-066
	EMER 97-17-005		PROP 97-10-074
hook rules	EMER 97-14-052		PROP 97-10-075
Icicle Creek	EMER 97-08-047	steelhead	
	EMER 97-09-008	areas and seasons	EMER 97-02-092
Kalama River	EMER 97-06-036		EMER 97-03-039
Klickitat River	EMER 97-08-047		EMER 97-03-099
	EMER 97-09-001		EMER 97-03-100
Lewis River	EMER 97-06-034		EMER 97-04-001
	EMER 97-09-008		EMER 97-07-056
	EMER 97-12-035	sturgeon	
Little White Salmon River	EMER 97-08-047	areas and seasons	EMER 97-01-034
Queets River	EMER 97-09-068		PROP 97-01-126
Quillayute River	EMER 97-09-068		EMER 97-03-001
regional exceptions	EMER 97-01-129		PERM 97-08-018
	EMER 97-06-034		EMER 97-09-001
Sol Duc River	EMER 97-09-068		EMER 97-10-063
Toutle River	EMER 97-12-035		EMER 97-13-048
Wind River	EMER 97-08-047		EMER 97-14-053
	EMER 97-18-054		PROP 97-14-079
			EMER 97-18-034
halibut		<u>Fishing, subsistence</u>	
areas and seasons	EMER 97-11-031	Columbia River tributaries	EMER 97-09-007
	EMER 97-11-061		EMER 97-12-036
	EMER 97-16-057		EMER 97-12-069
hook rules	EMER 97-14-052		EMER 97-13-007
lakes closure for rehabilitation	PREP 97-13-024		EMER 97-13-029
	EMER 97-16-103		EMER 97-13-049
	PROP 97-16-104		EMER 97-14-035
	PREP 97-14-051		EMER 97-15-007
licenses			EMER 97-15-118
salmon			EMER 97-17-072
areas and seasons	EMER 97-08-048	<u>Hunting</u>	
	EMER 97-09-068	auctions	
	EMER 97-14-052	bear	PREP 97-10-028
	EMER 97-15-119		PROP 97-06-116
	EMER 97-16-002		PERM 97-06-047
	EMER 97-16-067		PROP 97-14-091
	EMER 97-17-012		PERM 97-12-049
	EMER 97-17-028		PERM 97-18-020
	EMER 97-17-031	big game auction permits	PROP 97-01-115
	PROP 97-17-105		PROP 97-06-125
	EMER 97-18-055		PERM 97-12-058
Atlantic salmon catch	EMER 97-15-108		PREP 97-08-004
limits	EMER 97-15-080	Canada goose	EMER 97-17-028
	EMER 97-16-002		PROP 97-14-091
	EMER 97-17-012	cougar	PERM 97-18-020
	EMER 97-18-055		PERM 97-06-046
		deer	PERM 97-06-047
Pacific Fisheries Management Council			PROP 97-06-116
recommendations adopted	PREP 97-09-085		PROP 97-06-122
	PROP 97-15-147		PROP 97-06-123
	PERM 97-18-035		PROP 97-06-125
shad			PERM 97-12-049
areas and seasons	EMER 97-06-036		

Subject/Agency Index

(Citation in bold type refer to material in this issue)

	PERM 97-12-055	transport tags for black bear and cougar	
	PERM 97-12-056		
elk	PERM 97-06-046		PREP 97-11-070
	PERM 97-06-053	waterfowl, coot, and snipe	PROP 97-14-091
	PROP 97-06-117		PREP 97-10-028
	PROP 97-06-122		PROP 97-14-089
	PROP 97-06-124		PROP 97-14-093
	PERM 97-12-050		EMER 97-17-029
	PERM 97-12-055		PERM 97-18-023
	PERM 97-12-057	Noxious weed control	PERM 97-18-026
	PROP 97-14-098		PREP 97-01-112
	PERM 97-18-024		PROP 97-07-077
falconry regulations	PROP 97-03-075	Pelt sealing	PERM 97-13-001
firearms restrictions	PERM 97-06-052	Protected species	PROP 97-06-084
game management units			PREP 97-01-111
special game area			PROP 97-06-115
boundary descriptions			PERM 97-12-048
bighorn sheep units	PERM 97-06-056	Trapping	PROP 97-14-090
bow and arrow descriptions	PERM 97-06-061		PROP 97-14-092
cougar area descriptions	PROP 97-06-084		PROP 97-14-099
deer area descriptions	PERM 97-06-042		EMER 97-17-027
elk area descriptions	PERM 97-06-059	Wildlife	PROP 97-18-029
goat units	PERM 97-06-058	dogs harassing deer or elk, custody or destruction	
moose units	PERM 97-06-057		EMER 97-01-033
muzzleloader area descriptions	PERM 97-06-060		EMER 97-02-016
private lands	PERM 97-06-055	protected and endangered species	PROP 97-14-090
	PROP 97-06-127		PERM 97-18-019
	PREP 97-10-028		
	PERM 97-12-060	FOREST PRACTICES BOARD	
	PROP 97-14-089	Marbled murrelet	
Region one	PERM 97-06-050	critical wildlife habitat	EMER 97-02-087
Region two	PERM 97-06-049		PROP 97-08-077
Region three	PERM 97-06-048		PROP 97-09-041
Region four	PERM 97-06-044		EMER 97-10-005
Region five	PERM 97-06-043		PROP 97-11-074
Region six	PERM 97-06-041		PERM 97-15-105
game reserves	PROP 97-14-094	Meetings	MISC 97-05-073
	PERM 97-18-025		MISC 97-11-073
goat	PROP 97-06-120	Rules agenda	MISC 97-16-065
	PERM 97-12-053	Water quality	PREP 97-05-033
			PROP 97-15-042
hunting hours and small game regulations	PERM 97-06-045	Water typing system	EMER 97-07-054
	PREP 97-10-028		EMER 97-15-070
	PROP 97-14-092		
	PROP 97-14-095	GAMBLING COMMISSION	
	PROP 97-14-096	Amusement games	
	PERM 97-18-021	operation	PROP 97-03-093
	PERM 97-18-027		PERM 97-09-073
	PROP 97-18-029		PERM 97-11-021
landowner damage hunts	PROP 97-01-114	Bingo	PROP 97-16-099
	PERM 97-05-074	equipment	
	PROP 97-05-075		PERM 97-05-056
	PREP 97-10-028	gift certificates	PROP 97-15-093
licenses	PREP 97-09-086		PROP 97-03-092
	PROP 97-17-071	keno bingo	PERM 97-09-072
migratory game birds	PREP 97-10-028	net income requirements	PERM 97-05-061
migratory waterfowl	PROP 97-14-097		PROP 97-09-074
	PERM 97-18-022		PROP 97-09-076
moose	PROP 97-06-118	operating standards	PERM 97-14-013
	PERM 97-12-051	proposal withdrawn	
permit hunts	PERM 97-06-039	Card games	PROP 97-08-071
raffle permits	PROP 97-01-116		PREP 97-12-021
	PERM 97-06-037	Licenses	PROP 97-18-030
	PROP 97-06-126	fees	
	PREP 97-10-028	Manufacturers and distributors	PREP 97-18-003
	PERM 97-12-059		PREP 97-05-015
regulations and boundaries	PREP 97-01-111	Meetings	PROP 97-09-075
sheep	PROP 97-06-119	Nonprofit/charitable organizations	PROP 97-11-017
	PERM 97-12-052	gambling operations	PROP 97-11-018
special closures	PERM 97-06-052	Public disclosure	PERM 97-03-094
special hunts	PROP 97-01-117	Pull tabs	
	PERM 97-06-038	flares	
	PERM 97-06-051		PROP 97-04-033
	PROP 97-06-121		PREP 97-05-014
	PERM 97-12-054		

Subject/Agency Index
(Citation in **bold type** refer to material in this issue)

progressive pull tabs	PROP 97-05-057	GREEN RIVER COMMUNITY COLLEGE	MISC 97-03-011
	EMER 97-05-062	Meetings	
	PROP 97-09-074		
	PROP 97-09-075	GROWTH MANAGEMENT HEARINGS BOARDS	PROP 97-01-066
	PROP 97-09-077	Practice and procedure	PERM 97-04-008
	PROP 97-11-018		PROP 97-04-009
	PERM 97-11-019		PREP 97-16-044
	PERM 97-14-012		
	PERM 97-14-015		
	PROP 97-15-092	HEALTH CARE AUTHORITY	
proposal withdrawn	PROP 97-08-071	Appeals	PROP 97-17-109
taxation	PREP 97-12-020	Basic health plan	
Raffles	PROP 97-05-060	eligibility	EMER 97-06-070
	PERM 97-11-020		PREP 97-18-033
	PROP 97-13-059	enrollment	EMER 97-06-069
	PREP 97-17-030		PERM 97-08-067
	PREP 97-05-013		EMER 97-14-029
Sale of business			PERM 97-15-003
Seizure of gambling devices	PERM 97-03-095	Organ transplant programs	PREP 97-18-033
hearing	PREP 97-15-052	Public employees benefits board	PROP 97-17-108
Services suppliers	PROP 97-18-031	eligibility	
			PROP 97-17-106
		group coverage	PROP 97-17-110
			EMER 97-06-071
		meetings	EMER 97-14-031
GENERAL ADMINISTRATION, DEPARTMENT OF	MISC 97-03-030	Public records, accessibility	MISC 97-08-066
Capitol campus design advisory committee	MISC 97-08-070	Regulatory improvement initiative	PROP 97-17-107
meetings	MISC 97-08-087	Retired and disabled state employees,	MISC 97-16-108
		eligibility	
Handguns	PERM 97-04-025		EMER 97-14-030
purchase by Washington state patrol			
retirees			
Monuments and memorials in capitol region	PREP 97-10-087	HEALTH CARE FACILITIES AUTHORITY	
design and approval process	PERM 97-01-063	Policy statements	MISC 97-02-099
Skating activities on capitol campus			
GEOGRAPHIC NAMES, BOARD ON	MISC 97-02-062	HEALTH CARE POLICY BOARD	
Determinations of geographic names		Meetings	MISC 97-03-088
			MISC 97-07-039
			MISC 97-11-032
GOVERNOR, OFFICE OF THE		HEALTH, DEPARTMENT OF	
Access to government electronic records	MISC 97-03-091	Acupuncture	
for commercial purposes		education requirements	PREP 97-16-088
Affirmative action policy committee	MISC 97-01-028	Adjudicative clerk office	
meetings	MISC 97-10-061	changed from office of professional	
Agency quality improvement		standards	PROP 97-08-092
Auto dealers association	MISC 97-06-067		PERM 97-12-089
denial of appeal	MISC 97-04-034		PERM 97-13-015
notice of appeal			
Clemency and pardons board	MISC 97-04-032	Boarding homes	
meetings	MISC 97-10-078	licensing fees	PREP 97-13-097
			PROP 97-17-111
Flood, snow, wind, power outages	MISC 97-02-044	Cellular telephone and pager use	
state of emergency declared	MISC 97-02-045	policy	MISC 97-03-078
	MISC 97-02-091	Child (day) care regulations	PREP 97-09-054
	MISC 97-03-003	Chiropractic quality assurance commission	
	MISC 97-03-013	expedited repeal	EXRE 97-14-058
	MISC 97-03-068	meetings	MISC 97-08-026
	MISC 97-05-030		MISC 97-11-034
	MISC 97-08-001	Counselors	
	MISC 97-08-002	certification requirements	PROP 97-13-099
	MISC 97-08-006		PERM 97-17-113
	MISC 97-08-028	Dental quality assurance commission	
Klickitat County storm damage,		case disposition guidelines	MISC 97-18-007
state of emergency declared	MISC 97-01-110	complaint threshold determination	MISC 97-18-009
Pend Oreille County flooding, state		dental assistants	
of emergency declared	MISC 97-12-008	scope of practice	MISC 97-16-076
Pend Oreille County storm damage,		facilities, definition	MISC 97-16-081
state of emergency declared	MISC 97-01-009	fluoride varnish application	MISC 97-16-078
Project labor agreements	MISC 97-01-025	lab tests	MISC 97-16-079
Regulatory improvement	MISC 97-08-027	meetings	MISC 97-05-017
		notice of correction guidelines	MISC 97-18-008
		orthodontic assistants	
GRAYS HARBOR COLLEGE	MISC 97-04-044	scope of practice	MISC 97-16-077
Meetings		topical preventive agents	MISC 97-16-080
		treatment guidelines and protocols	MISC 97-16-082

Subject/Agency Index

(Citation in **bold type** refer to material in this issue)

Dispensing optician examining committee meetings	MISC	97-12-066	Hospitals		
Documents			nonprofit hospitals, sale	PREP	97-12-084
rules for location changes	PROP	97-08-092		EMER	97-15-127
	PERM	97-12-089		PROP	97-18-090
	PERM	97-13-015	Medical records		
Expedited repeal			fee for searching and duplicating	PROP	97-09-092
chiropractic quality assurance commission	EXRE	97-14-058		PERM	97-12-087
health and sanitation	EXRE	97-14-056	Medical test sites		
	EXRE	97-14-057	interpretive guidelines	MISC	97-13-054
hearing and speech program	EXRE	97-14-059	licensure	PROP	97-11-039
	EXRE	97-14-060		PERM	97-14-113
pharmacy, board of	EXRE	97-14-062	Nursing care quality assurance commission		
	EXRE	97-14-064	advanced registered nurse practitioner		
	EXRE	97-14-065	specialties	PREP	97-12-029
	EXRE	97-14-066	chapters 246-838 and 246-839 WAC combined		
	EXRE	97-14-069	into chapter 246-840 WAC	PROP	97-07-074
physical therapy, board of	EXRE	97-14-067		PROP	97-09-061
Uniform Disciplinary Act	EXRE	97-14-061		PROP	97-12-030
Health care entities				PERM	97-13-100
fees	PERM	97-06-019	interstate endorsement	PERM	97-17-049
licenses	PERM	97-06-019	investigations, review	PREP	97-03-067
Health professions quality assurance			IV training	MISC	97-15-017
adjudicative proceedings	MISC	97-06-023	licensure	MISC	97-10-031
	MISC	97-06-024		PROP	97-08-093
complaints, disposition	MISC	97-16-084		MISC	97-15-014
	PREP	97-17-016	medication assistance	PERM	97-17-015
complaints, policy and procedure	MISC	97-16-085	nursing assistants, scope of duties	MISC	97-09-062
	PREP	97-17-016	school nurses, delegation of duties	MISC	97-15-018
continuing education reimbursement	MISC	97-11-035	sexual misconduct	MISC	97-11-036
credential verification	MISC	97-10-032	standards of practice	PREP	97-15-002
default of student loans	MISC	97-07-072		PREP	97-03-066
investigative materials	MISC	97-07-071	Nursing home administrators, board of		
investigative mental and physical			adjudicative proceedings	MISC	97-10-030
examinations	MISC	97-06-020	continuing education deficiencies	MISC	97-13-053
meetings	MISC	97-02-012	meetings	MISC	97-01-109
public disclosure	MISC	97-06-021	Optometry, board of		
	MISC	97-16-086	continuing education	PROP	97-08-094
service of legal documents	MISC	97-15-027		PERM	97-12-088
whistleblowers, confidentiality	MISC	97-16-083	meetings	MISC	97-12-010
Hearing and speech, board of			Osteopathic medicine and surgery, board of		
hearing instrument fitters/dispensers			complaints, review	MISC	97-15-015
apprenticeship program	PREP	97-04-040	consultations	MISC	97-15-013
	PROP	97-12-086	disciplinary cases, closure	MISC	97-15-012
	PERM	97-15-128	investigations, review	MISC	97-15-016
continuing education	PREP	97-15-097	Pharmacy, board of		
meetings	MISC	97-03-020	assistant to pharmacist ratio	MISC	97-06-022
	MISC	97-04-015	dimethyl sulfoxide	EXRE	97-14-066
	MISC	97-06-087	education	EXRE	97-14-062
	MISC	97-11-062	ephedrine	PREP	97-10-033
	MISC	97-17-056	gelatin capsules	EXRE	97-14-064
speech-language pathologists			health care entities, licensing		
certification standards	MISC	97-04-037	and regulation	PERM	97-02-015
	MISC	97-04-038		MISC	97-04-036
	MISC	97-04-039	nursing home services	PREP	97-11-038
	PERM	97-04-042	pharmacy assistants		
	PERM	97-04-043	practice	PREP	97-16-087
	PREP	97-15-098	public records access	EXRE	97-14-065
education requirements	PREP	97-08-024	remifentanyl	MISC	97-09-063
examinations	PREP	97-08-023	sales	EXRE	97-14-069
temporary practice	EXRE	97-14-060	tobacco free pharmacies	MISC	97-07-070
trainees	EXRE	97-14-059	Physical therapy, board of		
HIV			licenses	EXRE	97-14-067
occupational exposure notification	EMER	97-16-025	meetings	MISC	97-18-050
	PROP	97-17-112	Physicians and surgeons		
rules update	PREP	97-17-080	fees	PROP	97-12-085
spousal notification of test results				PERM	97-15-100
Ryan White CARE Act	PROP	97-06-110	license revocation, review	PROP	97-15-126
	PERM	97-15-099	Professional standards, office of		
testing procedures	PERM	97-04-041	changed to adjudicative clerk office	PROP	97-08-092
Home health, home care, and hospice agencies				PERM	97-12-089
licensing fees	PROP	97-11-087	Psychology, examining board of	PERM	97-13-015
	PERM	97-15-096	case disposition guidelines		
Hospice care centers	PERM	97-03-080	Radiation protection	MISC	97-06-025
			uranium and thorium milling	PERM	97-13-055

Subject/Agency Index
(Citation in **bold type** refer to material in this issue)

Radioactive materials licenses	PROP 97-03-126 PERM 97-08-095
Radioactive waste management disposal of low-level waste	PERM 97-02-014 MISC 97-16-059
Rules agenda	
Security of employees office policy	MISC 97-03-079
Shellfish programs certificate fees	PROP 97-08-025 PERM 97-12-031 MISC 97-03-077
office policy	
Temporary worker housing showers	EMER 97-14-008 EXRE 97-14-061
Uniform Disciplinary Act	
Veterinary board of governors fees	PREP 97-06-018
Water public water systems adequacy of supply standards violations and penalties system plans review and approval fees	MISC 97-11-037 PREP 97-18-006 MISC 97-06-109 PROP 97-07-073 PERM 97-12-032
Whistleblowers health care insurance complaints	PERM 97-02-013
WIC program administrative procedures	PROP 97-13-098 PERM 97-16-117
HIGHER EDUCATION COORDINATING BOARD	
Meetings	MISC 97-02-040
Rules coordinator	MISC 97-13-032
HIGHER EDUCATION, JOINT CENTER FOR	
Meetings	MISC 97-01-073
Riverpoint Higher Education Park campus parking and traffic regulations	PROP 97-09-043
HIGHLINE COMMUNITY COLLEGE	
Meetings	MISC 97-01-023 MISC 97-09-056
HISPANIC AFFAIRS, COMMISSION ON	
Meetings	MISC 97-01-076 MISC 97-04-016 MISC 97-11-056
HORSE RACING COMMISSION	
Association officials and employees	PROP 97-04-060 PROP 97-17-043
Jockeys apprentices and agents Parimutuel rules	PREP 97-04-059 PREP 97-04-058
HOUSING FINANCE COMMISSION	
Bond financing programs Commissioners and staff	MISC 97-06-113 PREP 97-06-112 PROP 97-09-090 PROP 97-09-091 PROP 97-10-060 PROP 97-11-064 PROP 97-11-065 PERM 97-16-020 PERM 97-16-021
Debarring or disqualifying participants	PREP 97-07-068 PROP 97-11-063 PERM 97-16-019
Low-income housing tax credit program	MISC 97-06-114 PREP 97-14-025 PROP 97-17-078

INSURANCE COMMISSIONER'S OFFICE

Alien insurance companies credit for reinsurance	PROP 97-01-131 PERM 97-05-012
Automobile insurance personal injury protection (PIP)	PROP 97-01-059 PROP 97-03-090 PROP 97-08-045 PROP 97-11-010 PERM 97-13-005 MISC 97-02-028
rating practices, hearing	
Commercial line rates and forms technical advisory	MISC 97-15-149
Health care services benefits, standards for determining when reasonable in relation to amount charged	PROP 97-01-136 PROP 97-05-006 PROP 97-08-046 PROP 97-11-001
contract forms and rate schedules, filing	PREP 97-13-072
contractors net worth maintenance organizations net worth	MISC 97-04-057 MISC 97-04-057
Life insurance tables for use of courts and appraisers	MISC 97-13-018 MISC 97-13-031
Long-term care insurance continuing education for agents	PROP 97-15-150
Managed care plans health care coordination of benefits rules	PREP 97-04-074 PROP 97-08-044 PREP 97-16-048
Practice and procedure for contested matters	PROP 97-03-023 PROP 97-03-120 PROP 97-08-091 PROP 97-10-072 MISC 97-18-088
Rules agenda	
INTEREST RATES (See inside front cover)	
INVESTMENT BOARD	
Meetings	MISC 97-02-019
JUDICIAL CONDUCT, COMMISSION ON	
Ethical standards	PROP 97-02-006 PROP 97-05-023 PROP 97-09-057 PERM 97-13-075
Judges procedural rules	PROP 97-05-022 PERM 97-13-069 MISC 97-01-021 MISC 97-15-112
Meetings	
LABOR AND INDUSTRIES, DEPARTMENT OF	
Agriculture workers' housing Appeals	EMER 97-06-040 EXRE 97-13-034 PERM 97-17-064
Boiler rules, board of boilers and unfired pressure vessels	PREP 97-11-004 PROP 97-15-138
Contractors registration	PREP 97-03-081 PROP 97-16-090
Electricians journeyman certification of competency	PREP 97-02-095 PROP 97-15-143
Elevator advisory board meetings	MISC 97-02-039

Subject/Agency Index

(Citation in bold type refer to material in this issue)

Employee wearing apparel	PREP	97-18-078			
Factory-built housing	PROP	97-04-070	drywall		
Fees	PROP	97-03-132	special rules	EMER	97-08-043
	PERM	97-11-053		PROP	97-08-051
Occupational health standards				PERM	97-12-011
asbestos exposure	PERM	97-01-079	hospital services payment	PERM	97-06-066
butadiene	PREP	97-05-047	impairment rating examinations	PROP	97-01-123
	PROP	97-09-079		PERM	97-09-036
methylene chloride	PREP	97-09-078	medical services payment system	PREP	97-02-096
	PROP	97-13-063		PREP	97-02-097
	PERM	97-18-062		PROP	97-05-076
respiratory protection	PREP	97-06-101	premium rates	PERM	97-10-017
	PROP	97-09-079		EMER	97-02-026
Park trailers	PREP	97-03-082	reporting	PREP	97-15-140
	PROP	97-09-039		PROP	97-01-122
Plumbers			retrospective rating	PREP	97-15-141
journeyman certification of competency	PROP	97-03-084		PREP	97-15-139
	PERM	97-11-052			
Policy and interpretive statements	MISC	97-02-089	LAKE WASHINGTON TECHNICAL COLLEGE		
	MISC	97-04-021	Meetings	MISC	97-01-022
	MISC	97-07-059			
	MISC	97-11-042	LAND USE STUDY COMMISSION		
	MISC	97-15-079	(See COMMUNITY, TRADE AND ECONOMIC		
Recreational vehicles	PREP	97-03-082	DEVELOPMENT, DEPARTMENT OF)		
	PROP	97-09-039			
	PERM	97-16-043	LICENSING, DEPARTMENT OF		
Retail sales			Architects, board of registration for		
overtime compensation for employees	PROP	97-03-073	adjudicative proceedings	MISC	97-03-065
wearing apparel	PERM	97-01-124		PERM	97-10-026
Rules agenda	MISC	97-15-144	examinations	PERM	97-03-121
Safety and health standards				PERM	97-06-064
abrasive blasting, spray painting			fees	PREP	97-08-069
and dip tanks	PROP	97-09-079		PROP	97-10-080
	PROP	97-13-062	license	PERM	97-13-095
			reciprocity		
first aid	PROP	97-17-079	renewal	PERM	97-03-121
pesticides, worker protection	EMER	97-06-040	Boxing and wrestling	PERM	97-06-064
	PROP	97-12-063		PERM	97-01-035
personal protective equipment	PROP	97-13-062	Cosmetology	PREP	97-13-079
Safety standards				EXRE	97-13-026
agriculture	PROP	97-03-131	Engineers and land surveyors, board of	PERM	97-17-062
	EMER	97-04-048	certificates	MISC	97-02-024
	PERM	97-08-051A	fees		
	PROP	97-12-063	limited liability companies	PREP	97-18-039
chapter 296-306A WAC recodified			reissue of revoked certificate	PREP	97-18-039
as chapter 296-307 WAC	MISC	97-09-013	complaints	MISC	97-08-065
construction	PROP	97-03-085		MISC	97-02-025
	PREP	97-10-095	engineers	MISC	97-15-046
	PERM	97-11-054	examination	MISC	97-02-023
	PERM	97-11-055		MISC	97-02-021
	PROP	97-16-091	exam branch change	MISC	97-05-035
electrical installation	PREP	97-02-095	fees	MISC	97-08-063
	PROP	97-03-083	licenses	PREP	97-18-038
	EMER	97-10-064	requirements		
	PERM	97-12-016	refunding money	PREP	97-03-029
	PROP	97-14-111	standing committees	MISC	97-08-064
grain handling facilities	PROP	97-09-079	organization and functions		
high voltage electrical	PREP	97-16-119	Funeral directors and embalmers, board of	MISC	97-05-036
logging operations	PREP	97-10-071	adjudicative proceedings		
material lifts	PROP	97-14-110	apprentice training	PROP	97-16-060
mechanical power-transmission apparatus	PROP	97-11-051	care of human remains	PROP	97-16-062
Wages and hours			facility standards	PROP	97-16-064
computer software professionals	PREP	97-18-079	prearrangement funeral service trust		
water heater inspection			arrangements	PROP	97-16-061
residential load control devices,					
inspection fee	EMER	97-16-070	Kickboxing and martial arts		
WISHA advisory committee	MISC	97-14-003	Landscape architects	PREP	97-13-079
Workers' compensation			registration		
chiropractic services	PREP	97-02-096		PROP	97-03-022
classifications	PROP	97-01-122		PERM	97-06-065
	PERM	97-06-007			
	PROP	97-08-051	Licenses and certification		
	PERM	97-12-011	suspension for default on student loans	PROP	97-07-026
	PREP	97-15-142		PROP	97-07-027
definitions	PERM	97-02-090		PROP	97-07-028
				PROP	97-07-029

Subject/Agency Index

(Citation in bold type refer to material in this issue)

	PROP 97-07-030	requirements	PERM 97-02-004
	PROP 97-07-031		PROP 97-18-032
	PROP 97-07-032	Real estate commission	
	PROP 97-07-033	agency representation disclosure	PERM 97-01-027
	PROP 97-07-034	licensing procedures	PREP 97-18-068
	PROP 97-07-035	meetings	MISC 97-02-003
	PROP 97-09-022		MISC 97-10-059
	PERM 97-10-026	public records, availability	PREP 97-18-068
	PERM 97-10-046	Rules agenda	MISC 97-16-040
	PERM 97-10-047	Rules review plan	MISC 97-18-063
	PERM 97-10-048	Security guards	
	PERM 97-10-049	administrative procedures	PROP 97-13-081
	PERM 97-10-050		PERM 97-17-050
	PERM 97-10-051	fees	PROP 97-13-081
	PERM 97-10-052		PERM 97-17-050
	PERM 97-10-053	Title and registration advisory committee	MISC 97-07-016
	PERM 97-10-054		MISC 97-16-022
Model traffic ordinance	PROP 97-07-015	Unlicensed practice	MISC 97-02-022
	PERM 97-10-068	Vessels	
	EMER 97-12-043	confidential vessel registration	PREP 97-06-081
	PROP 97-12-044	registration and certificate of title	PREP 97-12-026
	PERM 97-16-041	Whitewater river outfitters	PREP 97-14-088
Motor vehicles		LIQUOR CONTROL BOARD	
certificates	PERM 97-03-076	Operations and procedures	PREP 97-13-070
	PROP 97-09-002	Samples of spirituous liquor	PREP 97-13-071
	PROP 97-13-009	Sports/entertainment facilities license	PREP 97-14-033
collectors' vehicles, licensing	PROP 97-01-030		
	PERM 97-07-014		
confidential vehicle license plates	PREP 97-06-082	LOTTERY COMMISSION	
dealer temporary permits	PREP 97-15-037	Affirmative action/equal employment	
destroyed	PROP 97-03-096	opportunity	MISC 97-03-106
	PROP 97-08-005	Cruise of your life retailer promotion	MISC 97-03-106
	PERM 97-11-049	Ethics	MISC 97-03-106
disabled person parking	PERM 97-02-001	Expedited repeal of instant games	EXRE 97-14-016
driver services division records	MISC 97-10-004	Instant game number 184 - Instant	
drivers' licenses		Monopoly®	PERM 97-02-038
habitual traffic offenders	PREP 97-11-002	Instant game number 185 - Double Blackjack	PERM 97-02-038
fleet identifier codes	PROP 97-06-027	Instant game number 186 - Lucky Bug	PERM 97-02-038
	PERM 97-10-003	Instant game number 187 - \$2 Instant	
fuel taxes	EXRE 97-13-026	Quinto	PROP 97-03-123
	PERM 97-17-062		PERM 97-07-063
impound	EXRE 97-13-026	Instant game number 188 - Strike It Rich	PROP 97-03-123
	PERM 97-17-062		PERM 97-07-063
license plates		Instant game number 189 - Lucky 7s	PROP 97-03-123
special plates	PREP 97-12-067		PERM 97-07-063
veterans	PROP 97-03-028	Instant game number 190 - Putt for Dough	PROP 97-03-123
	PERM 97-07-013		PERM 97-07-063
odometer disclosure statements	PROP 97-06-028	Instant game number 191 - Cut the Deck	PROP 97-03-123
	PROP 97-09-038		PERM 97-07-063
	PERM 97-14-034	Instant game number 192	PROP 97-07-062
records			PERM 97-11-003
owner information, availability	PREP 97-11-066	Instant game number 193	PROP 97-07-062
Motor vehicle excise tax	PROP 97-07-069	Instant game number 194	PERM 97-11-003
	PERM 97-12-015	Instant game number 195	PROP 97-07-062
Motor vehicle fuel tax		Instant game number 196	PERM 97-11-003
marine fuel use	MISC 97-15-030	Instant game number 197	PROP 97-07-062
public hearing	MISC 97-06-094	Instant game number 198	PERM 97-11-003
Parking companies, definition	PREP 97-11-066	Instant game number 199	PROP 97-11-058
	PROP 97-15-091	Instant game number 200	PERM 97-15-122
Private investigators		Instant game number 201	PROP 97-11-058
administrative procedures	PROP 97-13-080	Instant game number 202	PERM 97-15-122
	PERM 97-17-051	Instant game number 203	PROP 97-11-058
fees	PROP 97-13-080	Instant game number 204	PERM 97-15-122
	PERM 97-17-051	Instant game number 205	PROP 97-11-058
Public records, availability	PROP 97-14-103		PERM 97-15-122
	PERM 97-17-009		PROP 97-11-058
Real estate appraisers			PERM 97-15-122
examination and reexamination fees	PREP 97-09-082		PROP 97-11-058
	PROP 97-13-030		PERM 97-15-122
	PERM 97-16-042		PROP 97-11-058
licensing and certification			PERM 97-15-122
fees	PREP 97-09-083		PROP 97-11-058
	PREP 97-11-059		PERM 97-15-122
	PROP 97-15-101		PROP 97-15-123
			PROP 97-15-123

Subject/Agency Index

(Citation in **bold type** refer to material in this issue)

Instant game number 206	PROP	97-15-123	Solid fuel burning devices	PROP	97-09-101
Instant game number 207	PROP	97-15-123		PERM	97-13-078
Instant game rules	PREP	97-02-037			
	PERM	97-04-047	OLYMPIC COLLEGE		
	PROP	97-07-062	Meetings	MISC	97-01-024
Location services	PROP	97-15-123			
	PREP	97-07-061	OUTDOOR RECREATION, INTERAGENCY		
Lotto	PERM	97-15-122	COMMITTEE FOR		
	PREP	97-11-057	Boating facilities	PROP	97-04-006
	PROP	97-15-123		PERM	97-08-003
	PROP	97-16-116	Development costs, retroactivity	PROP	97-04-006
	MISC	97-03-106		PERM	97-08-003
	PREP	97-17-092	Firearm and archery range recreation	PROP	97-04-006
	MISC	97-03-106		PERM	97-08-003
	MISC	97-03-106	Land and water conservation fund	PROP	97-04-006
	MISC	97-09-004		PERM	97-08-003
	MISC	97-15-121	Meetings	MISC	97-03-069
Reasonable accommodations for persons of disability	MISC	97-03-106		MISC	97-04-010
Retailer criminal history and credit criteria for applicants and licensees	MISC	97-03-106		MISC	97-04-064
Spokane regional office	PREP	97-07-061		MISC	97-06-068
	PERM	97-15-122		MISC	97-13-010
				MISC	97-15-008
				MISC	97-17-077
MARINE EMPLOYEES' COMMISSION			Nonhighway and off-road vehicle activities	PROP	97-04-006
Meetings	MISC	97-06-016		PERM	97-08-003
	MISC	97-16-102	Project agreement execution	PREP	97-08-079
MARINE SAFETY, OFFICE OF				PROP	97-12-027
Bunkering operations	PREP	97-07-066	Rules coordinator	PERM	97-17-004
Fishing vessel industry standards	MISC	97-07-067	Washington wildlife and recreation	MISC	97-03-070
Vessel operations				PROP	97-04-006
small tank barges,				PERM	97-08-003
financial responsibility	PROP	97-07-064	PARKS AND RECREATION COMMISSION		
	PERM	97-10-096	Alcohol in state parks	PREP	97-15-152
substantial risk standards	PROP	97-07-065	Concessions and leases	PREP	97-18-069
	PERM	97-10-097	Fees	PREP	97-15-152
300 gross tons and larger	MISC	97-03-119	Meetings	MISC	97-02-007
			Metal detecting	PREP	97-06-063
MINORITY AND WOMEN'S BUSINESS ENTERPRISES, OFFICE OF				PROP	97-09-081
Annual goals	PREP	97-09-093		PROP	97-09-113
	PROP	97-13-067		PROP	97-09-114
	PERM	97-16-073		PERM	97-12-042
Costs of certification, distribution	PROP	97-09-094	Moorage and marine facilities use	PREP	97-18-071
	PERM	97-17-045	Parking permits	PREP	97-06-062
			Public use of park areas	PREP	97-18-070
NATURAL RESOURCES, DEPARTMENT OF			Senior citizen pass	PREP	97-15-152
Burning permits, written fees	PROP	97-09-065		PROP	97-18-080
	PERM	97-12-033	Sno-park permit fees	PREP	97-15-113
rules	PROP	97-09-065		PROP	97-18-080
	PERM	97-12-033	PENINSULA COLLEGE		
Fire hazard closures	EMER	97-14-044	Meetings	MISC	97-03-125
Fire protection, King County	PROP	97-02-029			
	PERM	97-05-066	PERSONNEL RESOURCES BOARD AND PERSONNEL, DEPARTMENT OF		
Forest fire advisory board meetings	MISC	97-05-050	Administrative procedure	PROP	97-08-089
Land corner record form	PERM	97-02-071		PROP	97-08-090
Natural resources, board of meetings	MISC	97-02-041	Appeals, procedures	PROP	97-10-088
	MISC	97-12-001		PROP	97-02-072
Natural heritage advisory council meetings	MISC	97-03-114	Broad band approach, application to classifications	PERM	97-06-012
	MISC	97-03-115		PROP	97-08-090
	MISC	97-03-116		PROP	97-10-088
	MISC	97-09-064	Employee performance evaluation forms	PROP	97-12-079
Rules agenda	MISC	97-16-107		PROP	97-16-014
				PROP	97-16-015
NORTHWEST AIR POLLUTION AUTHORITY			Labor relations	PROP	97-08-090
Regulation	PROP	97-03-112		PROP	97-10-088
	PERM	97-07-055		PROP	97-10-089
OLYMPIC AIR POLLUTION CONTROL AUTHORITY				PERM	97-13-045
Potential to emit	PROP	97-06-079		PROP	97-01-064
				PERM	97-06-012
Index				PERM	97-01-065

Subject/Agency Index

(Citation in bold type refer to material in this issue)

Positions				PUBLIC EMPLOYMENT RELATIONS COMMISSION			
allocations and reallocations	PROP	97-08-089		Meetings	MISC	97-14-083	
	PROP	97-10-088		Rules review plan	MISC	97-18-076	
Reduction in force	PROP	97-16-014					
	PROP	97-16-015		PUBLIC INSTRUCTION, SUPERINTENDENT OF			
Salaries	PROP	97-12-079		Administrator internship program	PREP	97-04-022	
	PROP	97-16-015		Employee benefits, self-funded plans	PROP	97-16-001	
Temporary appointment	EMER	97-09-028		Funding			
	PROP	97-10-090		audit resolution process	PREP	97-18-010	
	PROP	97-13-044		basic education	PREP	97-09-010	
	PROP	97-16-013			PROP	97-15-073	
Washington management service	PROP	97-14-100			PROP	97-15-074	
	PERM	97-17-041			PROP	97-15-075	
					PREP	97-16-095	
					PREP	97-16-096	
					PREP	97-17-022	
PIERCE COLLEGE					PROP	97-16-118	
Board of trustees				federal funds allocation	PREP	97-17-067	
bylaws	PROP	97-07-018		K-3 staff enhancement	PREP	97-18-036	
	PERM	97-12-071			EMER	97-15-116	
code of ethics	PROP	97-07-017		local enhancement funds	PREP	97-16-098	
	PERM	97-12-070		maintenance and operation levies	PREP	97-16-098	
Meetings	MISC	97-03-110		nonhigh participatory finance	PERM	97-03-044	
	MISC	97-13-052		special education	PREP	97-16-097	
					PREP	97-17-023	
					PREP	97-17-024	
					PREP	97-09-010	
PILOTAGE COMMISSIONERS, BOARD OF				Nonresident attendance	PROP	97-15-073	
Pilotage tariff rates					PROP	97-15-074	
Grays Harbor district	PROP	97-10-062			PROP	97-15-075	
	PERM	97-15-120					
Puget Sound district	PROP	97-02-005					
	PROP	97-08-041					
	PERM	97-12-017					
Pilots				Part-time public school attendance			
duties	PROP	97-01-108		apportionment	PREP	97-09-010	
	PERM	97-06-106			PROP	97-15-073	
license fee schedule	PROP	97-01-107			PROP	97-15-074	
	PERM	97-06-105			PROP	97-15-075	
new pilots	PREP	97-06-102		Revenue			
	EMER	97-06-104		definitions	PREP	97-04-035	
	EMER	97-08-040		School buses			
	PROP	97-10-084		replacement and depreciation allocation	PREP	97-12-041	
	PERM	97-14-032			PROP	97-14-055	
Vessels	PROP	97-06-103			PERM	97-17-042	
	EMER	97-06-104		Transitional bilingual instruction program	PROP	97-01-012	
	PERM	97-12-018			PROP	97-14-077	
WAC chapter recodification	MISC	97-08-042		University of Washington transition school and early entrance program	PROP	97-15-072	
POLLUTION LIABILITY INSURANCE AGENCY				PUBLIC WORKS BOARD			
Heating oil pollution liability insurance program	PROP	97-03-113		(See COMMUNITY, TRADE AND ECONOMIC DEVELOPMENT, DEPARTMENT OF)			
	PERM	97-06-080					
	EMER	97-07-049					
Residential heating oil tanks assistance to owners program	PREP	97-12-078		PUGET SOUND AIR POLLUTION CONTROL AGENCY			
	PROP	97-15-111		Fire extinguisher training rules	PERM	97-07-046	
				Meetings	MISC	97-01-061	
				Sources			
				fees	PERM	97-01-070	
					PROP	97-04-075	
					PROP	97-15-125	
				penalties	PROP	97-15-125	
				registration	PERM	97-01-070	
					PROP	97-04-075	
PUBLIC DISCLOSURE COMMISSION							
Contributions				RENTON TECHNICAL COLLEGE			
independent expenditures	PROP	97-03-117		Meetings	MISC	97-02-088	
	PERM	97-06-085		Rules coordinator	MISC	97-15-038	
	PROP	97-06-086					
	PERM	97-10-055					
	PREP	97-17-093					
Meetings	MISC	97-09-027					
Personal financial affairs statement	PREP	97-15-114					
	PREP	97-17-093					
Rules development	MISC	97-14-036					
PUBLIC EMPLOYEES BENEFITS BOARD				RETIREMENT SYSTEMS, DEPARTMENT OF			
Meetings	MISC	97-03-018		Deferred compensation program	PROP	97-02-027	
	MISC	97-04-026			PERM	97-05-009	
	MISC	97-06-010		Employee retirement benefits board meetings	MISC	97-01-118	
	MISC	97-07-001		Law enforcement officers' and fire fighters' retirement system basic salary, determination	PERM	97-01-016	
	MISC	97-08-082					
	MISC	97-15-036					

Subject/Agency Index

(Citation in **bold type** refer to material in this issue)

Service credit, establishment or reestablishment	PERM	97-01-014	MISC	97-13-013
Teachers' retirement system			MISC	97-14-018
community and technical college part-time employees service credit calculation	PROP	97-01-017	MISC	97-14-026
	PROP	97-05-010	MISC	97-15-034
	PERM	97-09-037	MISC	97-15-094
	PERM	97-03-016	MISC	97-17-007
compensation earnable, determination plan III			MISC	97-18-011
contribution rates	PERM	97-01-013		
self-directed investment options	EMER	97-08-053		
	PREP	97-09-047		
	PROP	97-13-058		
	PERM	97-16-039		
return to work, effect	PERM	97-01-015		
REVENUE, DEPARTMENT OF				
Business and occupation tax				
tax return filing, exemption	PERM	97-08-050		
Excise taxes				
conveyances, tax on	EXRE	97-14-042		
financial institutions, apportionment of income	PERM	97-11-033		
Property tax				
agricultural land valuations	PERM	97-02-066		
assessment	EXRE	97-14-043		
forest land values	PROP	97-02-064		
	EMER	97-02-065		
	PROP	97-07-041		
	PROP	97-11-060		
inflation rate	PERM	97-02-067		
refunds, rate of interest	PERM	97-02-068		
state timber sales	MISC	97-14-002		
Public utility tax				
low-density light and power utility deduction	MISC	97-14-001		
Real property appraisers accreditation	PERM	97-08-068		
Rules coordinator	MISC	97-02-030		
Sales tax				
motor carriers' purchases	PROP	97-07-079		
	PERM	97-11-022		
wind and solar electric generating facilities	PERM	97-03-027		
Timber excise tax				
stumpage values	PERM	97-02-069		
	PREP	97-06-111		
	PROP	97-10-027		
	PERM	97-14-068		
RULES COORDINATORS				
(See Issue 97-01 for a complete list of rules coordinators designated as of 12/19/96)				
Building code council	MISC	97-16-109		
Clover Park Technical College	MISC	97-01-038		
Community economic revitalization board	MISC	97-16-018		
Education, State board of	MISC	97-15-048		
Higher education coordinating board	MISC	97-13-032		
Renton Technical College	MISC	97-13-038		
Revenue, department of	MISC	97-02-030		
Walla Walla Community College	MISC	97-06-032		
Washington State Patrol	MISC	97-09-088		
Washington State University	MISC	97-05-020		
SALARIES FOR ELECTED OFFICIALS, CITIZENS COMMISSION				
Meetings	MISC	97-05-016		
	MISC	97-08-029		
SEATTLE COMMUNITY COLLEGES				
Meetings	MISC	97-01-019		
	MISC	97-04-052		
	MISC	97-06-033		
	MISC	97-10-066		
	MISC	97-12-014		
SECRETARY OF STATE				
Corporations divisions				
charities	PREP	97-03-014		
	PROP	97-08-076		
	PROP	97-16-034		
	PERM	97-16-035		
	PREP	97-08-075		
	PROP	97-13-093		
	PERM	97-16-036		
	PREP	97-03-014		
	PROP	97-08-076		
	PERM	97-16-035		
	PREP	97-13-060		
commercial coventurer				
commercial fund-raiser				
digital signatures				
Elections				
absentee ballots, processing	EMER	97-13-003		
administration	PROP	97-14-106		
mail ballots, processing	EMER	97-13-003		
Initiative and referendum petitions				
signature verification	PREP	97-09-060		
	PROP	97-13-094		
	PERM	97-17-035		
Voter registration cards	PREP	97-06-091		
	PROP	97-09-099		
	EMER	97-12-039		
	PERM	97-18-014		
SHORELINE COMMUNITY COLLEGE				
Meetings	MISC	97-03-006		
SKAGIT VALLEY COLLEGE				
Anthazing policy	PERM	97-01-049		
Meetings	MISC	97-01-039		
	MISC	97-02-043		
	MISC	97-09-058		
	MISC	97-10-019		
	MISC	97-12-064		
SOCIAL AND HEALTH SERVICES, DEPARTMENT OF				
Adoption support program	PREP	97-03-097		
Adult day health	PREP	97-03-124		
Adult family homes				
licensing, limited moratorium	PREP	97-12-047		
	PROP	97-15-132		
	PERM	97-18-089		
	PROP	97-18-087		
licensing, minimum requirements				
Aging and adult services				
adult protective services	PROP	97-11-083		
caregiver education and training	PREP	97-11-043		
	PROP	97-15-134		
	PREP	97-08-072		
	PROP	97-13-090		
	PERM	97-16-106		
	PREP	97-15-136		
	PREP	97-06-072		
	PROP	97-12-082		
	PERM	97-17-040		
in-home care providers				
personal care services, eligibility rates management, office				
Aid to families with dependent children (AFDC)				
eligibility	PREP	97-02-079		
immigration and naturalization				
services reporting	PREP	97-02-077		
unemployed parent program				
100-hour work rule	PROP	97-09-108		
work quarters, definition	PERM	97-01-043		

Subject/Agency Index

(Citation in **bold type** refer to material in this issue)

Alcohol and substance abuse, division of			food assistance program for legal			PROP	97-17-098
behavior management and temporary			immigrants			EMER	97-18-051
protective holding of patients	PERM	97-03-062				EMER	97-03-047
chemical dependency counselors	PROP	97-02-009	lump sum payments			PROP	97-03-051
	PERM	97-08-073				PERM	97-06-078
	PERM	97-13-050				EMER	97-15-137
	EMER	97-15-033	refugee cash assistance			PROP	97-17-039
definitions	PROP	97-15-133	Employees				
	PROP	97-02-009	foster care licensing and adoption				
	PERM	97-08-073	certification			MISC	97-03-031
placement criteria	PERM	97-13-050	Federal poverty level revised			EMER	97-08-031
	PROP	97-02-009	Food stamp program				
	PERM	97-08-073	alien status requirements			PROP	97-09-107
	PERM	97-13-050				PERM	97-12-025
Aliens						EMER	97-18-057
food assistance program for legal	PROP	97-17-098	certification period			PROP	97-18-058
immigrants	EMER	97-08-074				PROP	97-06-098
organ transplants	MISC	97-08-009	definitions			PERM	97-09-030
Asset management manual			drug-related convicted felons			PROP	97-13-089
Blood bank services			denial of assistance			PERM	97-16-046
billing	MISC	97-08-013	employment and training programs				
Child care			requirements			PERM	97-03-035
day care homes, licensing	PREP	97-14-073				EMER	97-05-052
eligibility	MISC	97-02-050	income eligibility			PROP	97-05-053
	PREP	97-14-047				PERM	97-09-012
	PROP	97-17-104	ineligible household members			EMER	97-17-020
Child protective services						PROP	97-17-021
investigation notification	PREP	97-02-031				PROP	97-02-078
	PROP	97-09-106				EMER	97-02-076
	PERM	97-13-002				EMER	97-02-033
Child support, division of						PROP	97-02-034
collection remedies	PROP	97-09-020				PERM	97-05-002
	PERM	97-13-092				PERM	97-06-074
confidentiality, address disclosure	PREP	97-09-110				EMER	97-02-073
	PROP	97-10-082				PROP	97-02-075
	PROP	97-15-085				PERM	97-06-096
party status rights	PERM	97-18-075				PROP	97-13-088
	PREP	97-09-109				PERM	97-16-045
	PROP	97-13-087					
	PERM	97-16-037	legal immigrants, eligibility			PROP	97-17-098
paternity acknowledgement	PREP	97-09-111				EMER	97-18-051
paternity tests	PROP	97-09-020	overpayments			PROP	97-01-089
	PERM	97-13-092				EMER	97-01-094
wage assignment	PROP	97-09-020	utility allowances			PERM	97-04-024
	PERM	97-13-092				PROP	97-15-086
Children's services			violations and disqualification			PERM	97-18-086
child protection teams	MISC	97-02-053				PROP	97-01-088
foster care	MISC	97-02-058	General assistance - unemployable			EMER	97-01-095
group care	MISC	97-02-057	eligibility			PERM	97-04-023
inpatient mental health	MISC	97-02-052	Income assistance				
policy manual	MISC	97-02-051	need standards			PERM	97-01-001
relatives of legally free	MISC	97-02-056	Information technology				
runaways	MISC	97-02-054	purchase of goods and services			MISC	97-08-008
	MISC	97-02-055	Limited English clients				
Deaf and hard of hearing services			language services				
communication access			Long-term care				
interpretive or policy statement	MISC	97-01-097	Medical assistance				
interpreter services	PREP	97-14-071	assignment of client rights			PROP	97-01-093
	EMER	97-15-058				PERM	97-04-005
Developmental disabilities, division of			categorically needy, eligibility			PERM	97-03-036
family support program			client grievances			PROP	97-01-092
funds	EMER	97-03-033				PERM	97-04-004
	EMER	97-11-009	dental procedures			MISC	97-15-068
	PERM	97-13-051				MISC	97-16-105
rules	PREP	97-03-098	eligibility for programs			PREP	97-11-075
shared living arrangement, definition	PREP	97-14-072				PROP	97-12-081
	PROP	97-17-091				EMER	97-16-053
Domestic violence perpetrator program	PERM	97-02-035					
Economic services							
disregarded income	EMER	97-15-087					
	PROP	97-15-088					
	PERM	97-18-073					
financial responsibility	PROP	97-09-019					
	PROP	97-10-083					

Subject/Agency Index
(Citation in **bold type** refer to material in this issue)

correction to WSR 97-12-081 published in PROP area of Issue 97-14			Mental health institutions repeal of obsolete sections	EXRE 97-14-071 PERM 97-18-052
fee schedules	MISC	97-15-010	Personal care services eligibility	PREP 97-15-083 PROP 97-15-135
	MISC	97-15-059	Rules	
	MISC	97-15-060	repeal of obsolete, duplicative, or ambiguous rules	PREP 97-15-131
	MISC	97-15-061	Self-assessment and internal control	MISC 97-17-038
	MISC	97-15-062	Sexually violent predators escorted leaves	PROP 97-11-044
	MISC	97-15-063	Supplemental security income (SSI) cost of living adjustment (COLA) eligibility	EMER 97-02-074 PREP 97-08-035 EMER 97-08-030 PROP 97-12-081 PERM 97-15-084
	MISC	97-15-064	medical assistance	
Healthy Kids/EPSTDT billing instructions	MISC	97-18-084	correction to WSR 97-12-081 published in PROP area of Issue 97-14	
Healthy Options programs	MISC	97-15-067	standards of assistance	PROP 97-10-035 EMER 97-10-036 PERM 97-14-011
hearing aid casing replacement	MISC	97-16-004	Temporary assistance to needy families (TANF) assistance units	PREP 97-14-045 PROP 97-17-068 PREP 97-14-047 PROP 97-17-104 PREP 97-02-083 PREP 97-02-081 PREP 97-13-083 PREP 97-02-082 PROP 97-05-071 PERM 97-08-033 PERM 97-10-042
HIV/AIDS case management billing instructions	MISC	97-18-083	child care, eligibility	
home health services			child caretaker	
billing	MISC	97-05-001	child living with legal guardian	
prior authorization requirement removed	MISC	97-08-012	child support	
hospital services	PROP	97-11-008	drug-related convicted felons denial of assistance	PROP 97-05-069 PERM 97-08-034 PERM 97-10-040 PROP 97-15-032 EMER 97-15-044 PERM 97-18-074 PREP 97-02-084 PREP 97-02-085 PREP 97-12-080 PREP 97-14-082 PROP 97-15-031 PROP 97-15-043 PROP 97-17-069 PROP 97-17-087 PROP 97-17-088 PROP 97-17-090 PROP 97-17-099 PROP 97-17-100 PROP 97-17-101 PROP 97-17-103 PREP 97-11-078 EMER 97-14-109 PREP 97-14-087 PROP 97-17-089
income eligibility	PROP	97-02-010	eligibility	
	PERM	97-10-022	eligibility review cycle	
	PROP	97-13-057	family violence	
	PERM	97-16-008	fraud	
institutionalized client			penalties	PROP 97-05-070 PERM 97-10-038
income eligibility	EMER	97-02-048	fugitive felons and probation/parole violators address of recipient	EMER 97-03-046 PROP 97-03-053 PERM 97-07-008 EMER 97-03-049 PROP 97-03-052 EMER 97-04-050 PROP 97-04-051 PERM 97-06-077 PERM 97-07-024
	EMER	97-02-049	denial of assistance	
	PROP	97-02-032		
	PERM	97-05-040		
	PREP	97-12-023		
payments	PROP	97-12-062		
interpreter services, billing	MISC	97-16-007		
kidney centers, eligibility	PREP	97-11-081		
kidney dialysis clients	MISC	97-15-082		
length of stay criteria	MISC	97-17-037		
managed care				
enrollment requirements	PROP	97-10-073		
maternity care				
billing	MISC	97-05-051		
case management services	MISC	97-08-011		
midwives, billing instructions	MISC	97-18-082		
needs special assistance clients	PERM	97-02-047		
	PROP	97-02-063		
newborn premiums	MISC	97-04-030		
nondurable medical equipment and supplies billing	MISC	97-09-105		
	MISC	97-16-005		
nursing facilities, billing procedures	MISC	97-18-085		
nursing facility clients, eligibility	PREP	97-01-090		
	PROP	97-11-082		
	PERM	97-15-025		
	MISC	97-16-006		
nursing services, private duty	MISC	97-18-081		
outpatient claims	MISC	97-04-029		
	MISC	97-17-036		
patients requiring regulation	PERM	97-03-038		
pharmacy services				
reimbursement	PREP	97-06-131		
prescription drugs	MISC	97-04-028		
	MISC	97-08-010		
prior authorization				
temporary removal of requirements	MISC	97-08-014		
receipt of resources	PERM	97-03-037		
resources, availability	PREP	97-01-091		
	PROP	97-07-023		
	PERM	97-09-112		
	PERM	97-03-034		
resources, exemptions				
school services				
billing	MISC	97-04-031		
special situations	PREP	97-10-034		
sterilization procedures	MISC	97-15-009		
stop-loss criteria	PREP	97-11-076		
supplemental premiums				
interpretive or policy statement	MISC	97-01-096		

Subject/Agency Index

(Citation in bold type refer to material in this issue)

overpayments, waiver of retroactive case overpayments	PREP 97-11-080 EMER 97-15-011	Penalties	PROP 97-05-045 PERM 97-09-015
grant payments	PREP 97-13-084 EMER 97-14-108 PROP 97-17-097 EMER 97-16-055	Violations	PROP 97-05-045 PERM 97-09-015
immigrants, eligibility personal property exemption	EMER 97-03-048 PROP 97-03-050 PERM 97-06-075 PREP 97-13-085 EMER 97-14-107 PROP 97-17-102	SUPREME COURT Amicus curiae briefs Court exhibits, security Court records, destruction and sealing Dismissal of actions Health care claims mediation procedure Infraction cases Juvenile court proceedings	MISC 97-13-023 MISC 97-13-021 MISC 97-11-027 MISC 97-13-020 MISC 97-05-024 MISC 97-01-062 MISC 97-13-019 MISC 97-15-051
pregnant women	PREP 97-06-132 EMER 97-06-133 PROP 97-10-039 PREP 97-13-084 PERM 97-13-091 PROP 97-17-097	Juvenile dependency and termination of parental rights Lawyer disciplinary proceedings	MISC 97-13-022 MISC 97-15-049 MISC 97-15-050 MISC 97-07-011
protective payee fees	EMER 97-16-056 PROP 97-17-039 PREP 97-11-077 PREP 97-11-079 PROP 97-15-089 EMER 97-15-090 PROP 97-05-068 PERM 97-08-032 PERM 97-10-041 PROP 97-15-031 EMER 97-15-043	Pleas Search and inspection procedures Settlement guardian ad litem State bar association, purposes Suppression of evidence, procedure	MISC 97-13-020 MISC 97-07-010 MISC 97-13-035 MISC 97-01-029
refugees, assistance eligibility		TACOMA COMMUNITY COLLEGE Meetings Personnel rules for classified staff	MISC 97-02-046 PROP 97-03-128 PERM 97-07-048 PREP 97-18-065
resources, exemptions		Tuition and fee waivers	
temporary absence of child		TAX APPEALS, BOARD OF Meetings	MISC 97-01-037
time limits		TRAFFIC SAFETY COMMISSION Meetings	MISC 97-07-020
unemployed parent program 100-hour work rule unmarried minor parents	PROP 97-09-108 PREP 97-02-080 PROP 97-05-072 EMER 97-06-026 PROP 97-06-073 PERM 97-09-029 EMER 97-16-052 EMER 97-03-054 PROP 97-03-055 EMER 97-04-050 PROP 97-04-051 PERM 97-06-076 PERM 97-07-024 MISC 97-03-032 PREP 97-13-082 PREP 97-13-086	TRANSPORTATION COMMISSION Hazardous materials ferries Meetings	MISC 97-01-037 MISC 97-07-020
high school diploma			EMER 97-15-109 PERM 97-15-110 MISC 97-01-036 PROP 97-01-069 PERM 97-06-002 MISC 97-06-030 MISC 97-09-021 MISC 97-18-004
Translation and interpretation services		TRANSPORTATION IMPROVEMENT BOARD Meetings	MISC 97-03-015 MISC 97-09-017 MISC 97-13-025 MISC 97-15-020
Vocational rehabilitation services Washington Administrative Code rules, delegation of authority to sign Welfare fraud payment denial WorkFirst program	PREP 97-02-086 PREP 97-14-046 PROP 97-16-054 PROP 97-17-070	TRANSPORTATION, DEPARTMENT OF Air search and rescue management registration training Contractors prequalification	PROP 97-01-075 PERM 97-03-064 PROP 97-01-075 PERM 97-03-064 PROP 97-01-075 PERM 97-03-064 PREP 97-01-087 PROP 97-05-007 PERM 97-09-045
SOUTH PUGET SOUND COMMUNITY COLLEGE Meetings	MISC 97-06-001 MISC 97-07-009 MISC 97-13-068	Ferries hazardous materials, transport	PREP 97-03-118 PROP 97-12-074
SOUTHWEST AIR POLLUTION CONTROL AUTHORITY Operating permits	EXRE 97-13-027	Highway Advertising Control Act definitions, provisions, penalties	PREP 97-09-070 PROP 97-13-028 PERM 97-17-010
SPOKANE, COMMUNITY COLLEGES OF Meetings	MISC 97-04-019 MISC 97-12-012 PREP 97-15-040		
Student records			
SPOKANE COUNTY AIR POLLUTION CONTROL AUTHORITY Fees	PROP 97-05-046 PERM 97-09-016		

Subject/Agency Index

(Citation in bold type refer to material in this issue)

Public advisory elections	PREP 97-08-016	WALLA WALLA COMMUNITY COLLEGE	
	PROP 97-11-040	Meetings	MISC 97-08-015
	PERM 97-14-037		MISC 97-12-040
Regional transportation planning process	PROP 97-06-005		MISC 97-13-011
	PERM 97-09-046		MISC 97-14-006
			MISC 97-14-022
		Rules coordinator	MISC 97-06-032
UNIVERSITY OF WASHINGTON		WASHINGTON STATE LIBRARY	
Facilities use	PREP 97-10-077	Library commission	
	PROP 97-18-064	meetings	MISC 97-01-031
Family housing, residency eligibility	PREP 97-16-101		MISC 97-03-004
Meetings	MISC 97-01-085		MISC 97-05-004
	MISC 97-03-007		MISC 97-08-039
	MISC 97-03-008		MISC 97-09-049
	MISC 97-03-009		MISC 97-10-085
	MISC 97-03-024		MISC 97-12-006
	MISC 97-03-058		MISC 97-12-065
	MISC 97-03-105		MISC 97-13-065
	MISC 97-03-108		MISC 97-15-055
	MISC 97-03-109		MISC 97-18-028
	MISC 97-04-018		
	MISC 97-04-072		
	MISC 97-04-073		
	MISC 97-06-029		
	MISC 97-07-040	WASHINGTON STATE PATROL	
	MISC 97-09-050	Fire protection policy board	
	MISC 97-09-051	meetings	MISC 97-04-002
	MISC 97-09-059		MISC 97-04-003
	MISC 97-09-087	Fireworks	
	MISC 97-10-020	retail sales	PREP 97-05-028
	MISC 97-10-067		EMER 97-11-023
	MISC 97-15-047		EMER 97-11-041
	MISC 97-16-028		PREP 97-13-073
	MISC 97-16-029		EMER 97-14-019
	MISC 97-17-014		PROP 97-16-120
	MISC 97-17-055	Identification section	
	MISC 97-17-076	criminal history records	PROP 97-01-056
	MISC 97-18-016		PERM 97-05-048
Parking and traffic regulations	PREP 97-05-049	Investigative study group	
	PROP 97-09-071	meetings	MISC 97-17-085
	PERM 97-14-005	Kidnapping offender registration	PREP 97-17-058
Public records accessibility	PROP 97-08-062	Limousine carriers	
	PERM 97-14-004	inspection, process and fees	PERM 97-03-127
		Meetings	MISC 97-03-026
		Motor vehicles	
		antique motor-driven cycles, definition	PERM 97-03-087
		equipment on snow removal and	
		highway maintenance vehicles	PROP 97-01-057
			PERM 97-04-054
		fog light use	PREP 97-06-100
			PERM 97-09-069
			PERM 97-12-061
		quartz halogen headlamps	EXRE 97-14-040
			PERM 97-17-060
		seat belt	
		exemptions	PREP 97-03-043
			PROP 97-07-037
			PERM 97-10-023
		special built vehicles, construction	
		and equipment	PREP 97-17-059
		street rods and kit vehicles	
		body requirements	PROP 97-01-058
			PERM 97-04-055
		tires	EXRE 97-14-041
			PERM 97-17-061
		wireless communications systems	PREP 97-03-042
			PROP 97-07-036
			PERM 97-10-024
		Public records	
		copy charges	PERM 97-01-018
		Rules coordinator	MISC 97-09-088
		Towing businesses	
		application for letters of appointment	PROP 97-04-053
			EMER 97-04-056
		fees, calculation	PERM 97-08-021
			EMER 97-04-056
VETERANS AFFAIRS, DEPARTMENT OF			
State veterans homes			
transfer and discharge of resident	PERM 97-06-013		
VOLUNTEER FIREFIGHTERS, BOARD FOR			
Emergency medical service district fees	EXRE 97-13-046		
	PERM 97-18-001		
Meetings	MISC 97-07-005		

Subject/Agency Index

(Citation in **bold type** refer to material in this issue)

vehicle storage	PROP	97-04-053
	EMER	97-04-056
	PERM	97-08-021
WASHINGTON STATE UNIVERSITY		
Contract award procedure	EXRE	97-14-038
Martin stadium, spectator safety at events	PREP	97-05-021
	PROP	97-10-086
	PROP	97-16-072
Meetings	MISC	97-10-057
	MISC	97-15-102
Rules coordinator	MISC	97-05-020
WENATCHEE VALLEY COLLEGE		
Meetings	MISC	97-01-054
WESTERN WASHINGTON UNIVERSITY		
Housing and dining	MISC	97-11-013
Parking and traffic regulations	PREP	97-06-014
	PROP	97-11-025
	PERM	97-17-052
WHATCOM COMMUNITY COLLEGE		
Hazing	PREP	97-03-102
Meetings	MISC	97-03-010
	MISC	97-09-053
	MISC	97-12-005
WORKFORCE TRAINING AND EDUCATION COORDINATING BOARD		
Meetings	MISC	97-01-004
	MISC	97-03-025
	MISC	97-06-031
	MISC	97-06-090
	MISC	97-07-019
	MISC	97-11-006
	MISC	97-11-016
	MISC	97-12-046
	MISC	97-15-004
	MISC	97-17-033
	MISC	97-18-017
YAKIMA VALLEY COMMUNITY COLLEGE		
Parking and traffic regulations	PREP	97-10-076
	PROP	97-14-101

